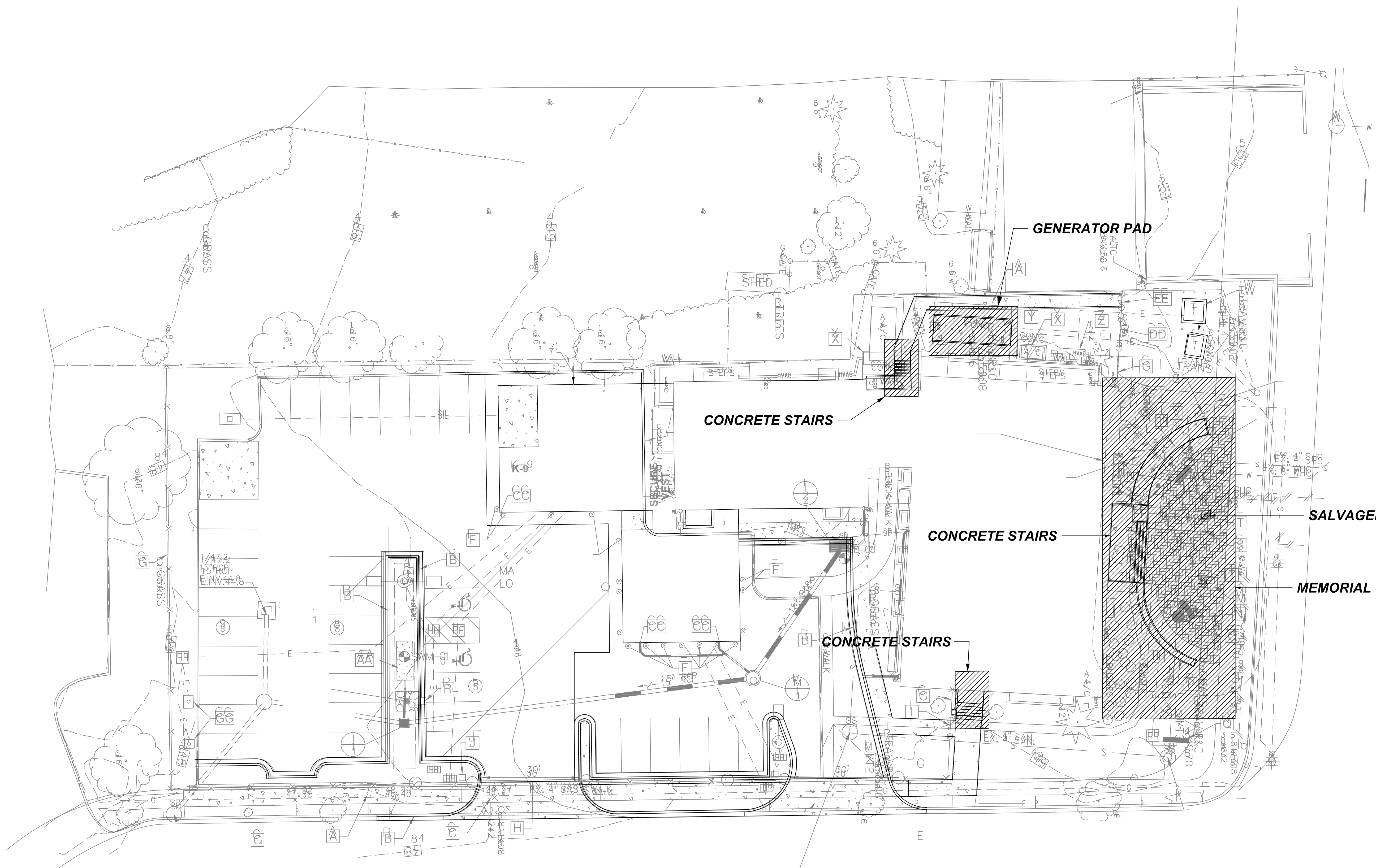


NOTICE

SHORTAGES, IMPROPER FABRICATION OR CLAIMS FOR ANY OTHER REASON MUST BE REPORTED TO THIS COMPANY WITHIN 10 DAYS FROM ORIGINAL DELIVERY. THIS COMPANY ALSO RESERVES THE RIGHT TO FIELD INSPECT MATERIALS PRIOR TO REPLACEMENT OR RECONDITIONING OF MATERIALS AND WILL NOT BE LIABLE FOR CHARGES FROM WORK DONE IN THE FIELD WITHOUT PRIOR AUTHORIZATION FROM THIS COMPANY.

REINFORCING STEEL PLACING DRAWING ONLY. USE IN CONJUNCTION WITH CONTRACT DRAWINGS & SPECIFICATIONS. ELEVATIONS & DIMENSIONS SHOWN ON DRAWING ARE FOR DETAILING PURPOSES ONLY AND SHOULD NOT BE USED FOR CONSTRUCTION UNLESS VERIFIED BY ENGINEER OR CONTRACTOR.



LAP SCHEDULE

4000 PSI (CLASS-B) CASE - 1
Per ACI 318 (12.2.2)

BAR#	LENGTHS	
	TOP	OTHERS
#3	2'-0"	1'-7"
#4	2'-8"	2'-1"
#5	3'-4"	2'-7"
#6	4'-0"	3'-1"
#7	5'-10"	4'-6"
#8	6'-8"	5'-2"
#9	7'-7"	5'-10"
#10	8'-6"	6'-7"
#11	9'-5"	7'-3"

ALL TOP BARS ARE DEFINED AS HORIZ BARS WITH MORE THAN 12" OF CONCRETE BELOW BARS.

**ALL BARS IN THIS DRAWING
ASTM A615 GRADE 60
BLACK UNCOATED**

TYPICAL REINFORCING BAR CLEARANCE TABLE

LOCATION	MIN. COVER
FOUNDATION BOTTOM & SIDES	3" CLR
FOUNDATION TOP	2" CLR
PAD SIDES & STAIR	2" CLR



REBAR GRADE 60 ASTM A-615

SPICES USED		ABBREVIATIONS		BAR MARK SIZE EQUIVALENT	
CLASS B 4,000 psi UNO				Imperial	Soft Metric
TOP BARS	OTHER BARS	ADD.	Additional	#3	#10
#3	#3	B.O.W.	Bottom of wall	#4	#13
#4	#4	C.B.	Corner Bars	#5	#16
#5	#5	DIAG.	Diagonal	#6	#19
#6	#6	D.O.	Door Opening	#7	#22
#7	#7	DWLS.	Dowels	#8	#25
#8	#8	E.F.	Each Face	#9	#29
#9	#9	E.S.	Each Side	#10	#32
#10	#10	E.W.	Each Way	#11	#36
#11	#11	FTG.	Footing		
#14	#14	F.F.	Far Face		
		HORIZ.	Horizontal		
		I.F.	Inside Face		
		INTERS.	Intersection		
		L.W.	long Way		
		N.F.	Near Face		
		O.F.	Outside Face		
		S.W.	Short Way		
		T&B	Top & Bottom		
		T.O.W.	Top of Wall		
		Trans.	Transverse		
		VERT.	Vertical		

CITY OF HYATTSVILLE
SITE WORK REINFORCEMENT DETAILS
3505 HAMILTON STREET HYATTSVILLE, MD 20782

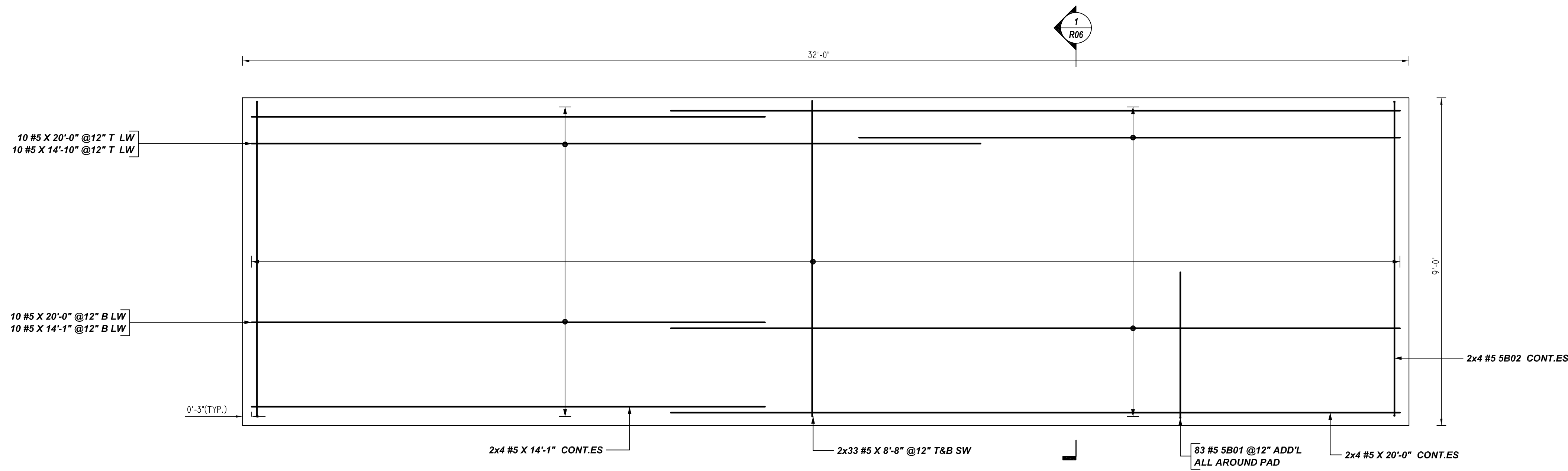
CUSTOMER:-
DESIGNER: COLUMBIA ENGINEERING

REV NO	DATE	SENT FOR	REV NO	DATE	SENT FOR	DRAWN BY	DATE	JOB NO	SHEET NO.
0	06.14.21	APPROVAL				ADL/MET	06.14.21	-	R06

NOTICE

SHORTAGES, IMPROPER FABRICATION OR CLAIMS FOR ANY OTHER REASON MUST BE REPORTED TO THIS COMPANY WITHIN 10 DAYS FROM ORIGINAL DELIVERY. THIS COMPANY ALSO RESERVES THE RIGHT TO FIELD INSPECT MATERIALS PRIOR TO REPLACEMENT OR RECONDITIONING OF MATERIALS AND WILL NOT BE LIABLE FOR CHARGES FROM WORK DONE IN THE FIELD WITHOUT PRIOR AUTHORIZATION FROM THIS COMPANY.

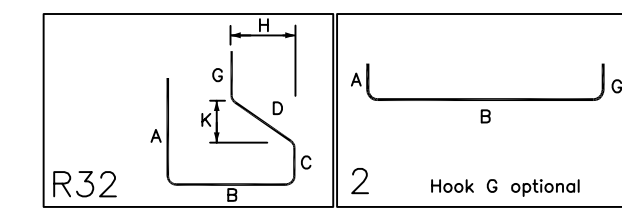
REINFORCING STEEL PLACING DRAWING ONLY. USE IN CONJUNCTION WITH CONTRACT DRAWINGS & SPECIFICATIONS. ELEVATIONS & DIMENSIONS SHOWN ON DRAWING ARE FOR DETAILING PURPOSES ONLY AND SHOULD NOT BE USED FOR CONSTRUCTION UNLESS VERIFIED BY ENGINEER OR CONTRACTOR.



PLAN OF GENERATOR PAD REINFORCEMENT DETAILS

REF: C-002
SCALE: 1/2" = 1'-0"

Bar No.	Qty	Size	Total Length	Type	X	Y	Z	W	V	U	T	S	R	Q	P	O	N	M	L	K	J	I	H	G	F	E	D	C	B	A
5B01	83	#5	10'-5 1/2"	R32	3'-0"	7'-4"	0'-4"	1'-7 1/2"																						
5B02	8	#5	10'-4 1/2"	Z	0'-10"	6'-8"					0'-10"	1'-4"																		
5B03	58	#5	7'-10 1/2"	Z	0'-10"	7'-0 1/2"																								



LAP SCHEDULE

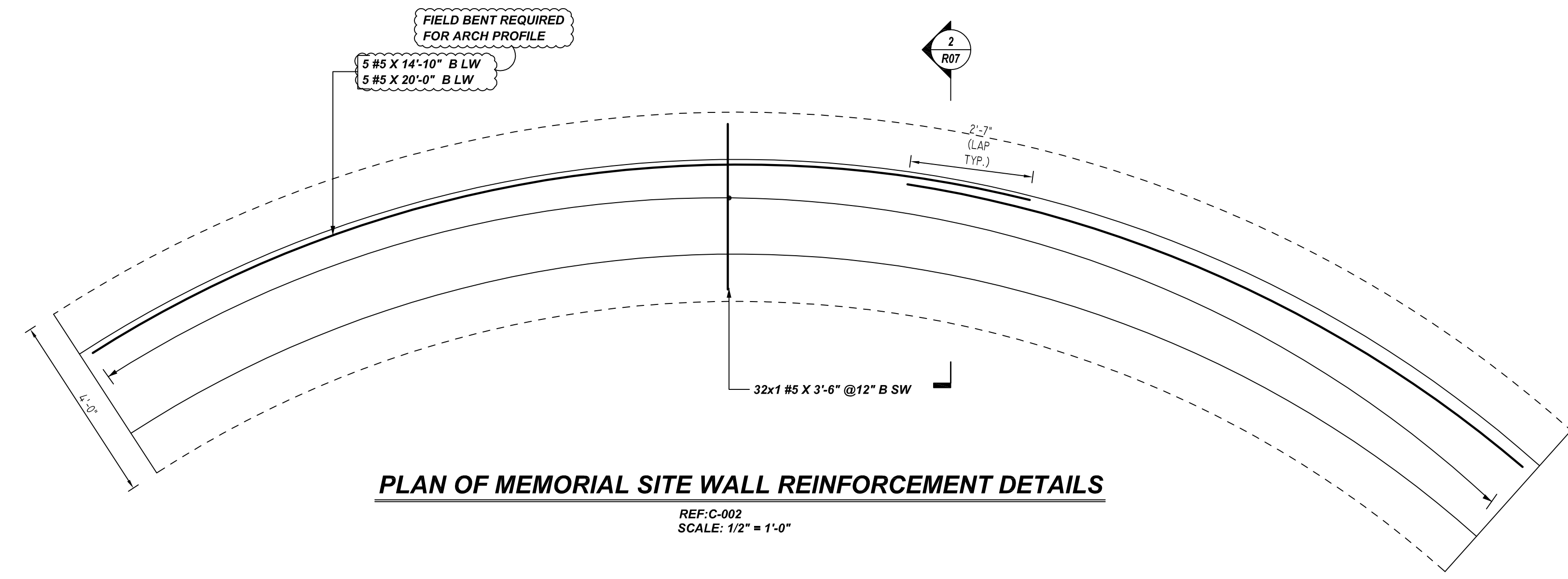
4000 PSI (CLASS-B) CASE - 1
Per ACI 318 (12.2.2)

BAR#	LENGTHS	
	TOP	OTHERS
#3	2'-0"	1'-7"
#4	2'-8"	2'-1"
#5	3'-4"	2'-7"
#6	4'-0"	3'-1"
#7	5'-10"	4'-6"
#8	6'-8"	5'-2"
#9	7'-7"	5'-10"
#10	8'-6"	6'-7"
#11	9'-5"	7'-3"

**ALL BARS IN THIS DRAWING
ASTM A615 GRADE 60
BLACK UNCOATED**

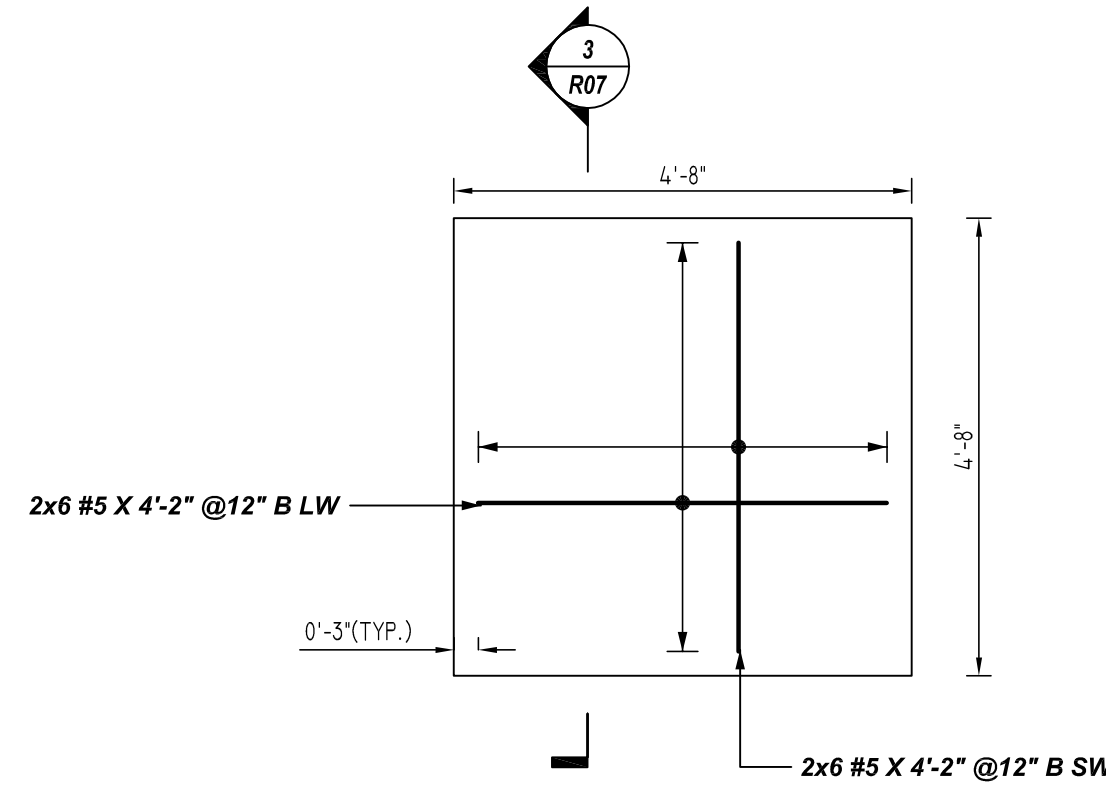
TYPICAL REINFORCING BAR CLEARANCE TABLE	
LOCATION	MIN. COVER
FOUNDATION BOTTOM & SIDES	3" CLR
FOUNDATION TOP	2" CLR
PAD SIDES & STAIR	2" CLR

ALL TOP BARS ARE DEFINED AS HORIZ BARS WITH MORE THAN 12" OF CONCRETE BELOW BARS.



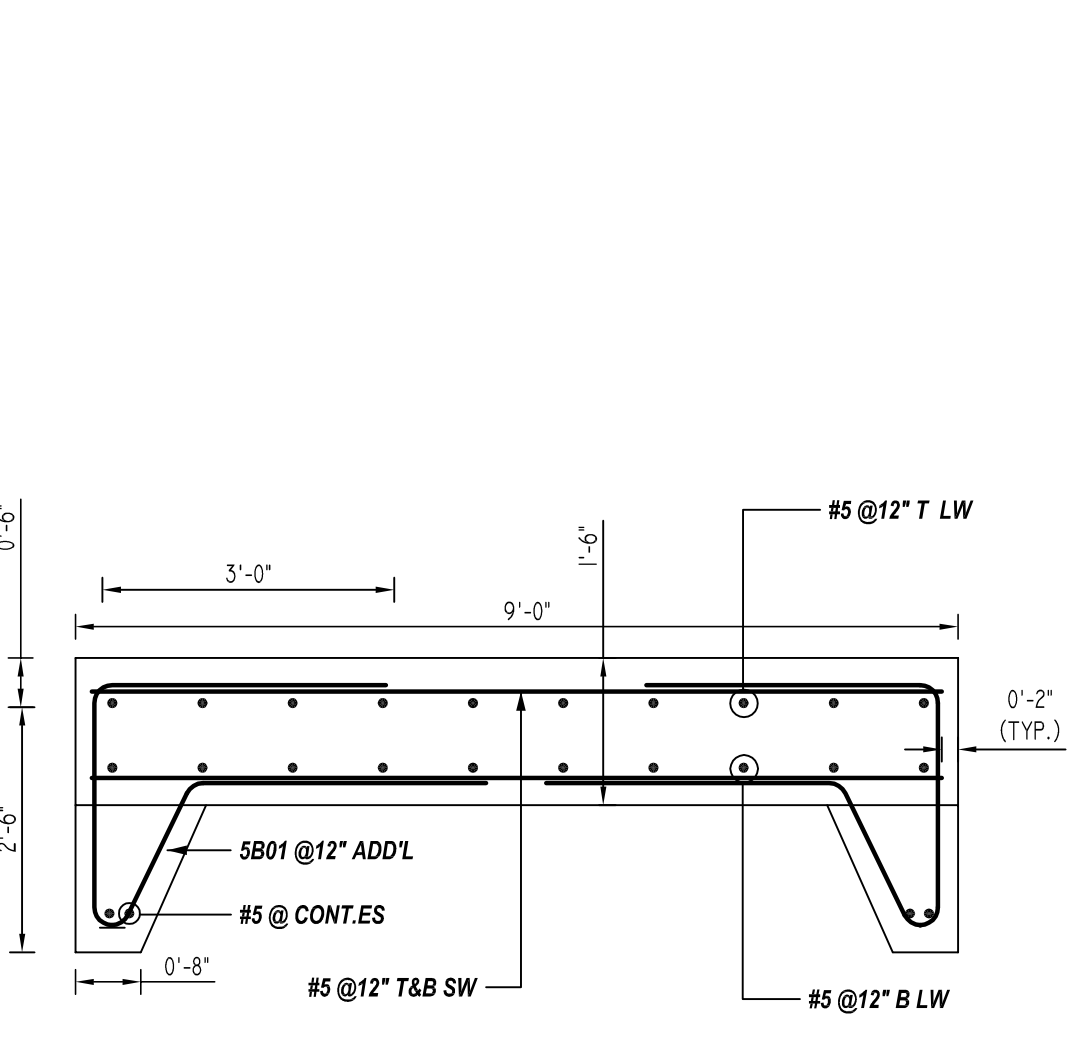
PLAN OF MEMORIAL SITE WALL REINFORCEMENT DETAILS

REF: C-002
SCALE: 1/2" = 1'-0"

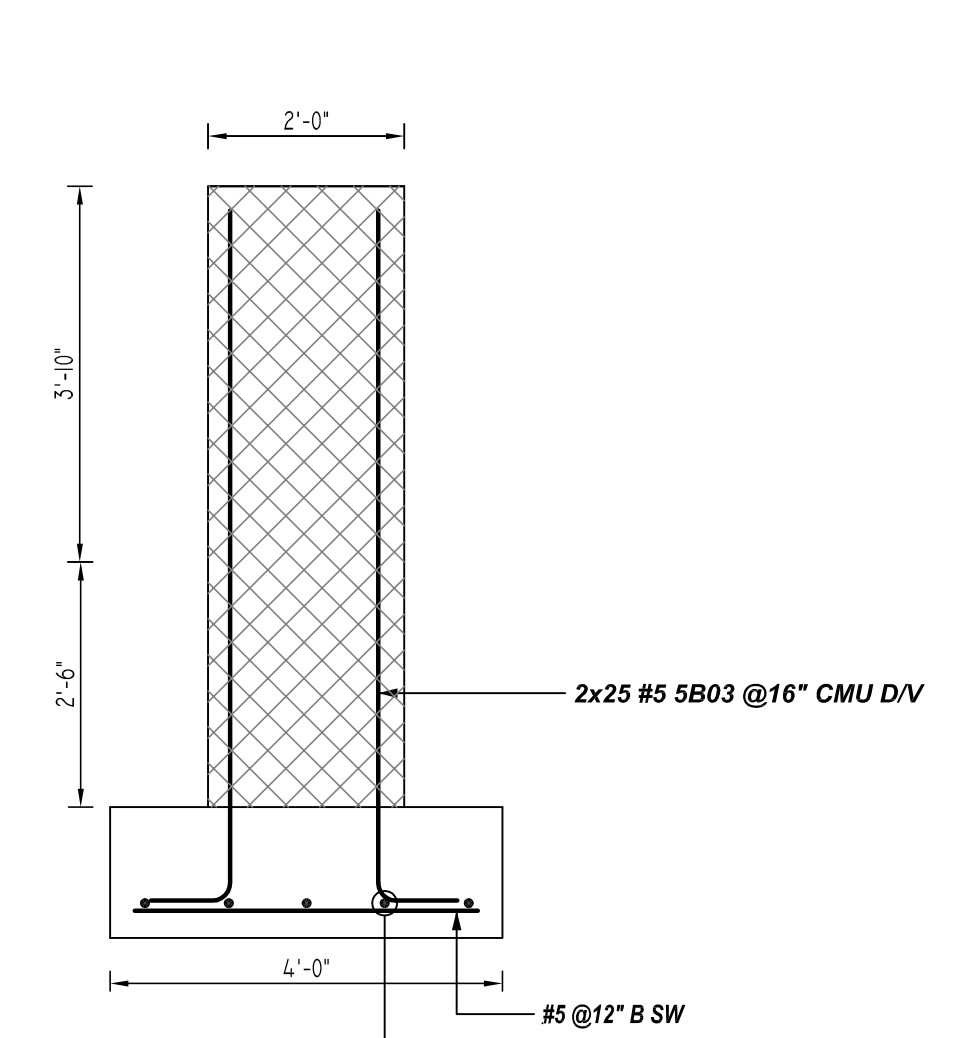


PLAN OF PLAZA LIGHTED REINFORCEMENT DETAILS

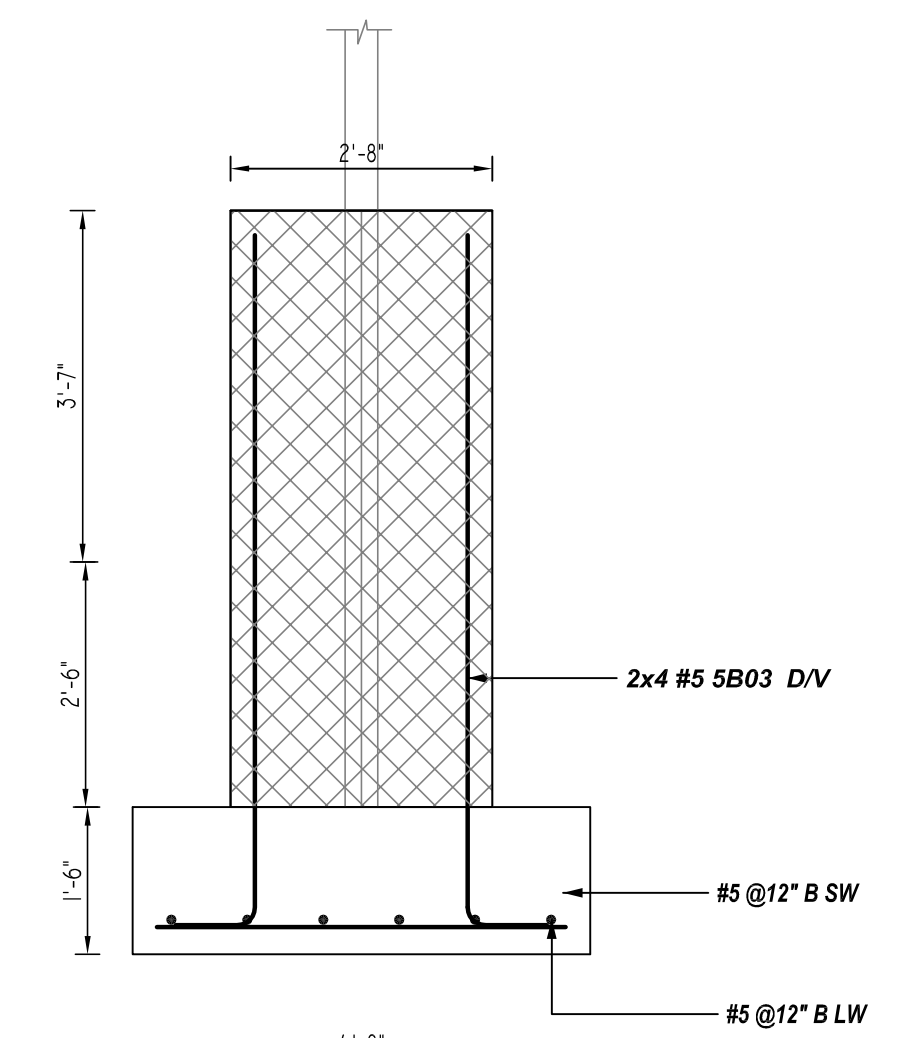
REF: C-002
SCALE: 1/2" = 1'-0"
2 LOCATIONS



1 SECTION
REF: C-005
SCALE: 1/2" = 1'-0"



2 SECTION
REF: C-005
SCALE: 1/2" = 1'-0"



3 SECTION
REF: C-020
SCALE: 1/2" = 1'-0"

REBAR GRADE 60 ASTM A-615

SPLICES USED		ABBREVIATIONS		BAR MARK SIZE EQUIVALENT	
CLASS B 4,000 psi UNO				Imperial	Soft Metric
TOP BARS	OTHER BARS	ADD.	Additional	#3	#10
#3 24"	#3 19"	B.O.W.	Bottom of wall	#4	#13
#4 32"	#4 25"	C.B.	Corner Bars	#5	#16
#5 40"	#5 31"	DIAG.	Diagonal	#6	#19
#6 48"	#6 37"	D.O.	Door Opening	#7	#22
#7 70"	#7 54"	DWLS.	Dowels	#8	#25
#8 80"	#8 62"	E.F.	Each Face	#9	#29
#9 91"	#9 70"	E.S.	Each Side	#10	#32
#10 102"	#10 79"	E.W.	Each Way	#11	#36
#11 113"	#11 87"	FTG.	Footing		
#14		F.F.	Far Face		
		HORIZ.	Horizontal		
		I.F.	Inside Face		
		INTERS.	Intersection		
		L.W.	Long Way		
		N.F.	Near Face		
		O.F.	Outside Face		
		S.W.	Short Way		
		T&B	Top & Bottom		
		T.O.W.	Top of Wall		
		Trans.	Transverse		
		VERT.	Vertical		

CITY OF HYATTSVILLE
SITE WORK REINFORCEMENT DETAILS
3505 HAMILTON STREET HYATTSVILLE, MD 20782

CUSTOMER: DESIGNER: COLUMBIA ENGINEERING

REV NO	DATE	SENT FOR	REV NO	DATE	SENT FOR
0	06.14.22	APPROVAL			

DRAWN BY	DATE	JOB NO	SHEET NO.
ADL/MET	06.14.22	-	R07

