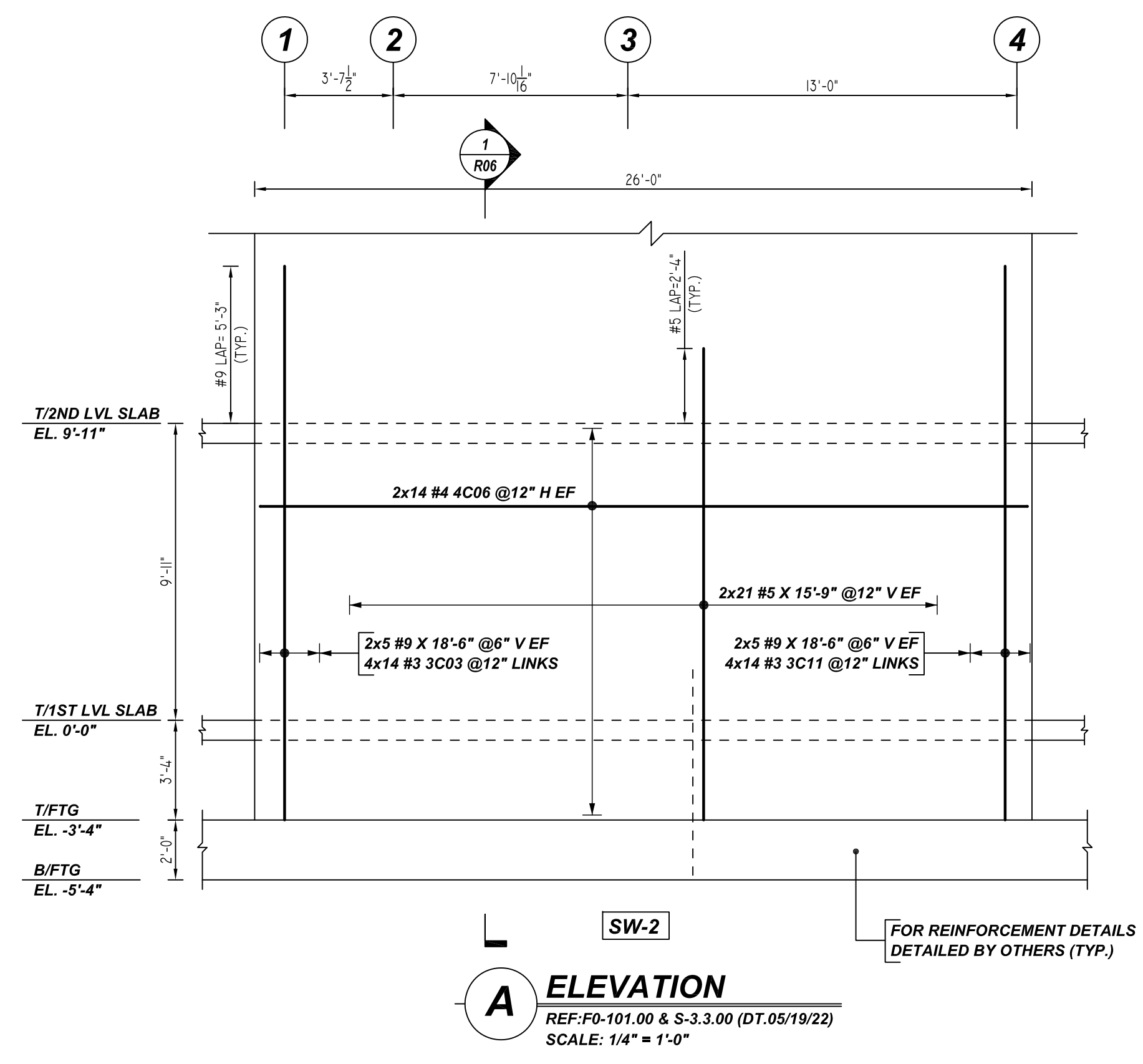
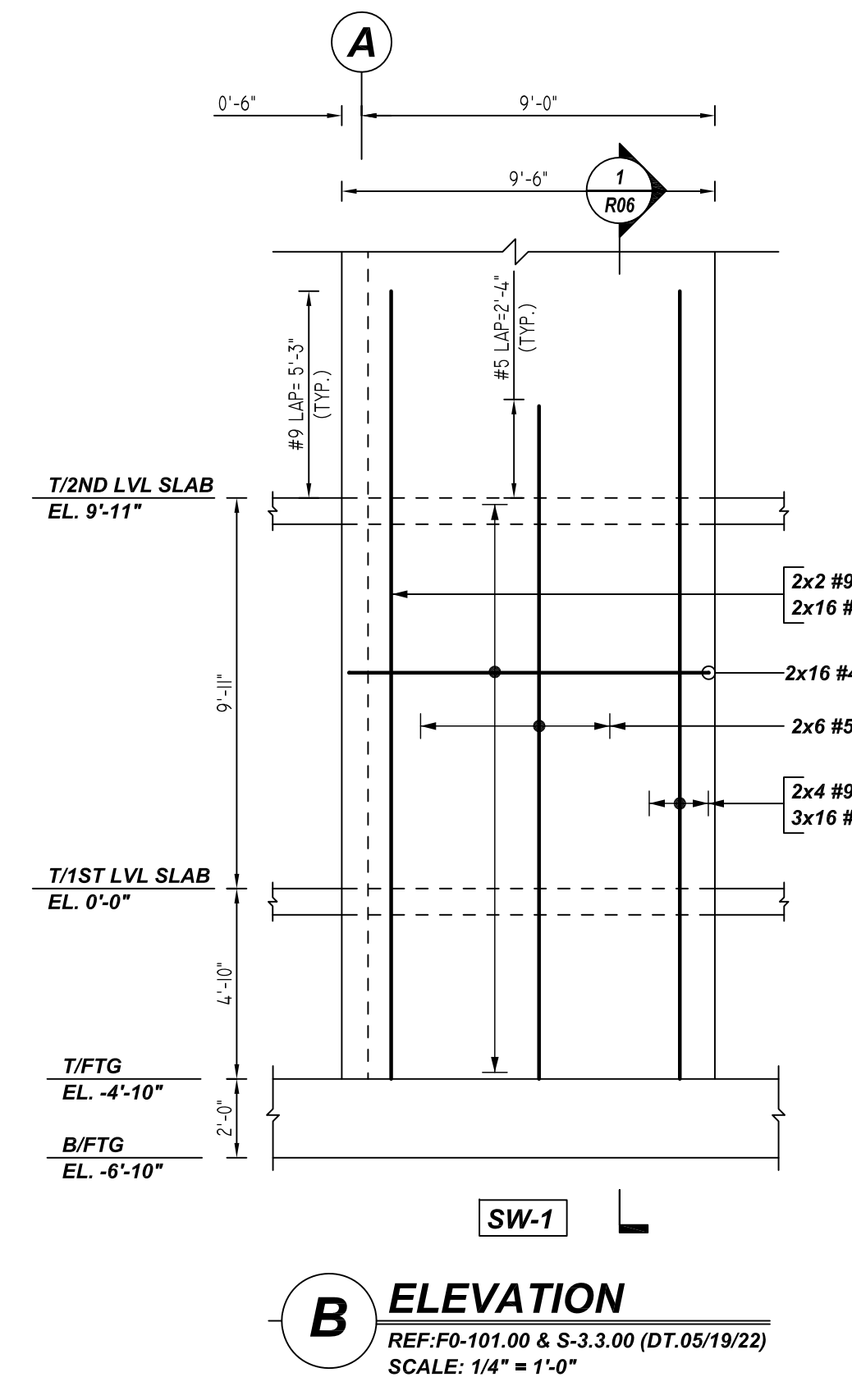


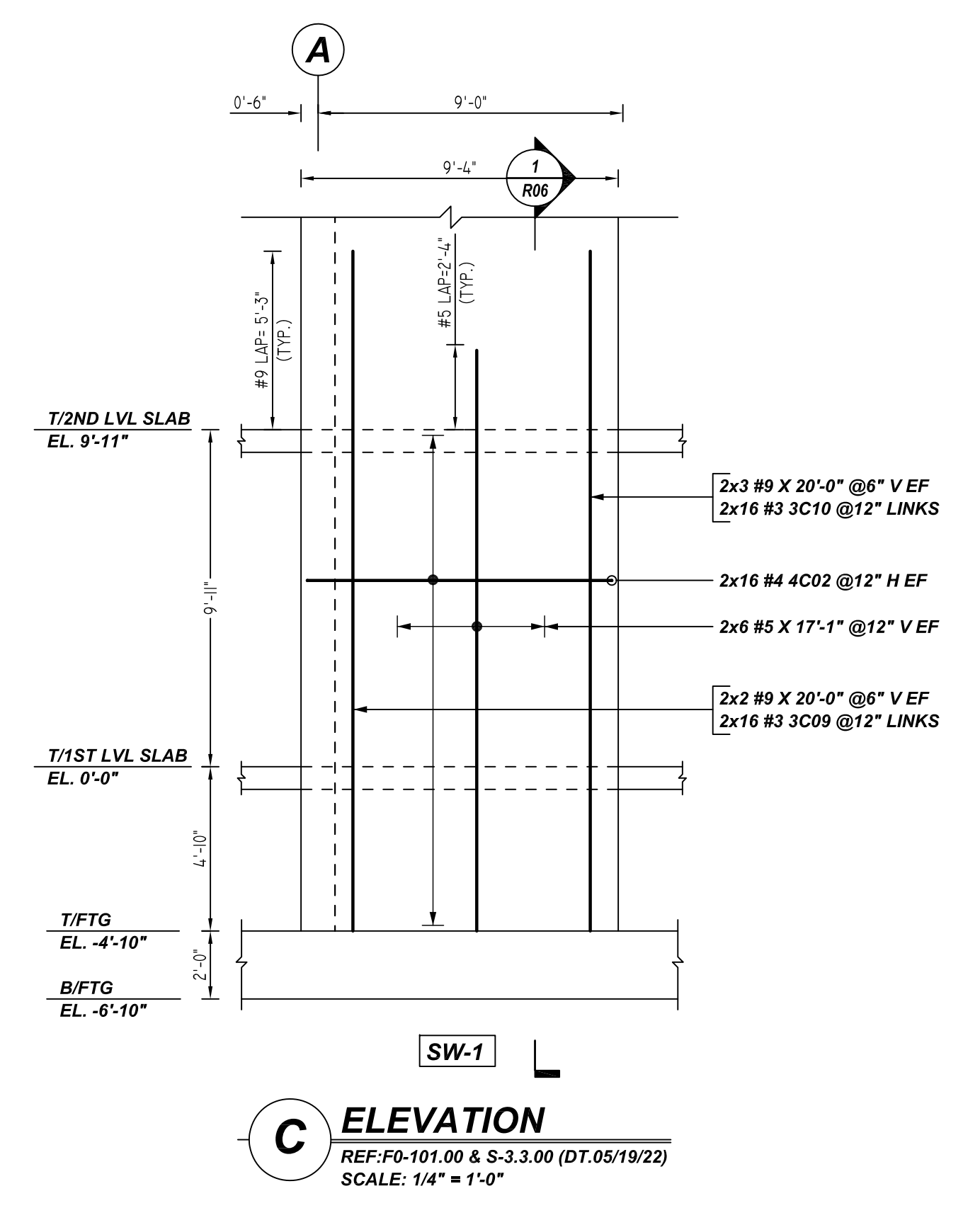
CELLAR TO 2ND FLOOR SHEAR WALL LAYOUT
 REF: F0-101.00 & S-3.3.00 (DT.05/19/22)
 SCALE: 1/8" = 1'-0"



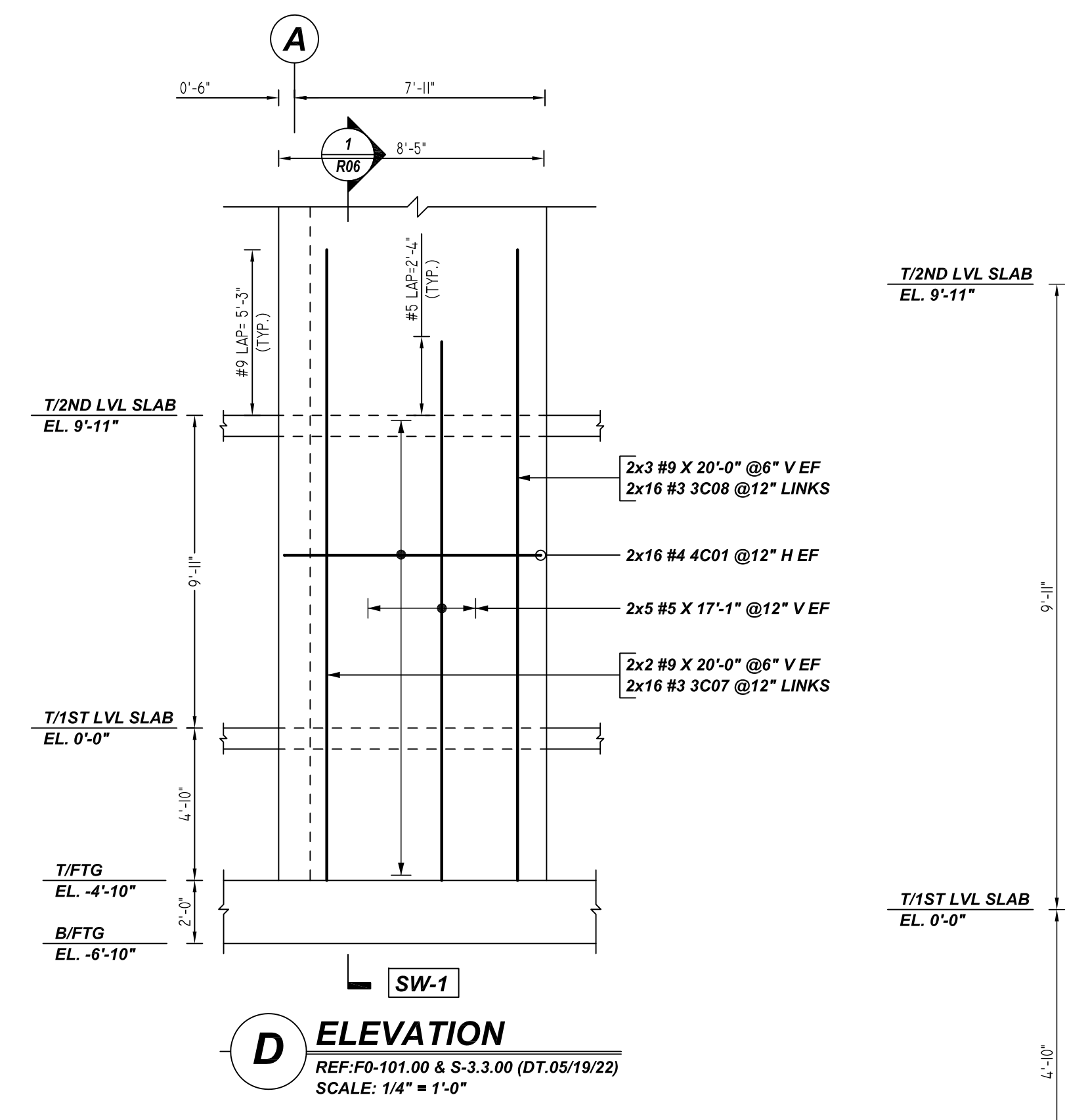
A ELEVATION
 REF: F0-101.00 & S-3.3.00 (DT.05/19/22)
 SCALE: 1/4" = 1'-0"



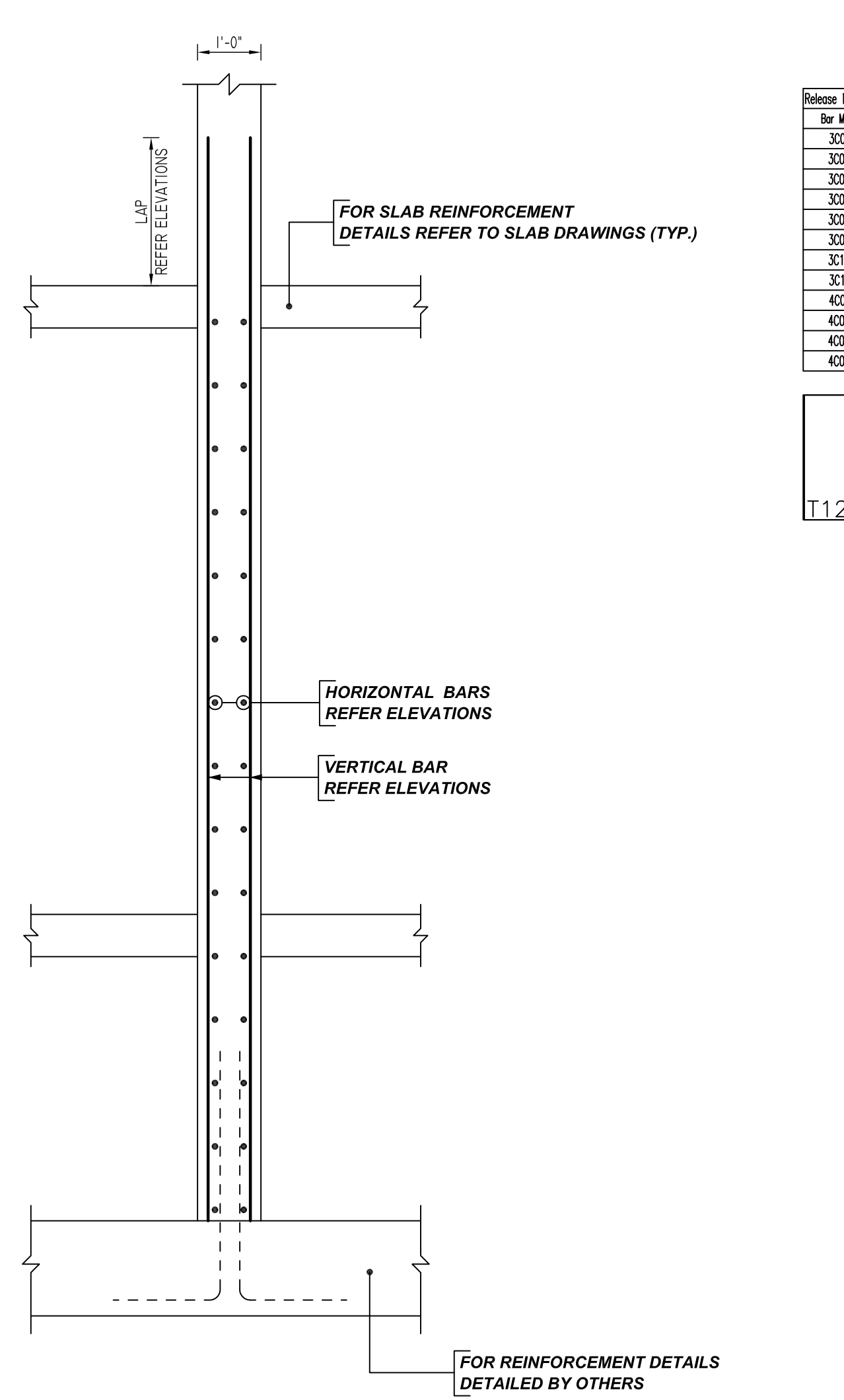
B ELEVATION
 REF: F0-101.00 & S-3.3.00 (DT.05/19/22)
 SCALE: 1/4" = 1'-0"



C ELEVATION
 REF: F0-101.00 & S-3.3.00 (DT.05/19/22)
 SCALE: 1/4" = 1'-0"

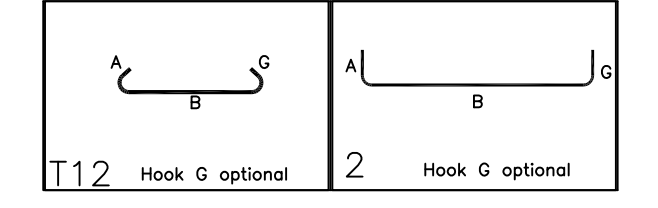


D ELEVATION
 REF: F0-101.00 & S-3.3.00 (DT.05/19/22)
 SCALE: 1/4" = 1'-0"



1 SECTION
 REF: F0-101.00 & S-3.3.00 (DT.05/19/22)
 SCALE: 1/2" = 1'-0"

Release Number: R06										BENDING DETAILS										
Bar Mark	Qty	Size	Total Length	Type	X	Y	Z	U	V	W	X	Y	Z	U	V	W	X	Y	Z	
3001	48	#3	1'-4.8"	T12	0'-4.8"	0'-8"														
3002	33	#3	1'-4.8"	T12	0'-4.8"	0'-8"														
3003	56	#3	1'-4.8"	T12	0'-4.8"	0'-8"														
3007	33	#3	1'-4.8"	T12	0'-4.8"	0'-8"														
3008	33	#3	1'-4.8"	T12	0'-4.8"	0'-8"														
3009	33	#3	1'-4.8"	T12	0'-4.8"	0'-8"														
3010	33	#3	1'-4.8"	T12	0'-4.8"	0'-8"														
3011	56	#3	1'-4.8"	T12	0'-4.8"	0'-8"														
4001	33	#4	9'-8"	2	0'-8"	8'-2"														
4002	33	#4	10'-4"	2	0'-8"	9'-0"														
4004	33	#4	10'-8"	2	0'-8"	9'-2"														
4006	28	#4	27'-8"	2	0'-8"	25'-8"														



LAP SCHEDULE
 5000 PSI (CLASS-B) CASE - 1
 Per ACI 318 (12.2.2)

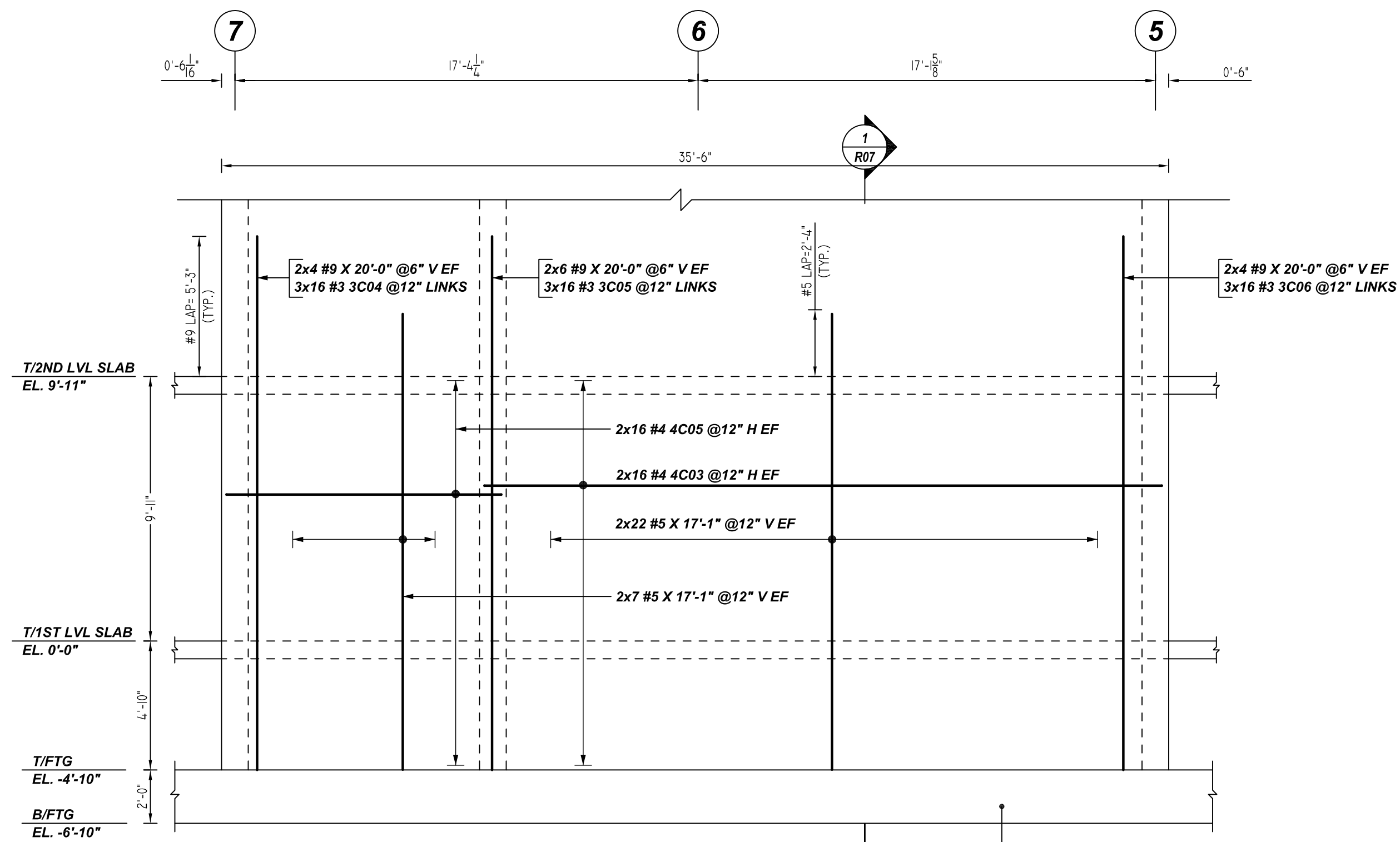
BAR#	LENGTHS	
	TOP	OTHERS
#3	22"	17"
#4	29"	22"
#5	36"	28"
#6	54"	42"
#7	63"	49"
#8	72"	56"
#9	81"	63"
#10	92"	71"
#11	127"	98"

TYPICAL REINFORCING BAR CLEARANCE TABLE	
LOCATION	MIN. COVER
WALL SIDE	2" CLR
WALL TOP & BOTTOM	1 1/2" CLR

**ALL BARS IN THIS DRAWING
 ASTM A615 GRADE 60
 BLACK UNCOATED**

FOR APPROVAL

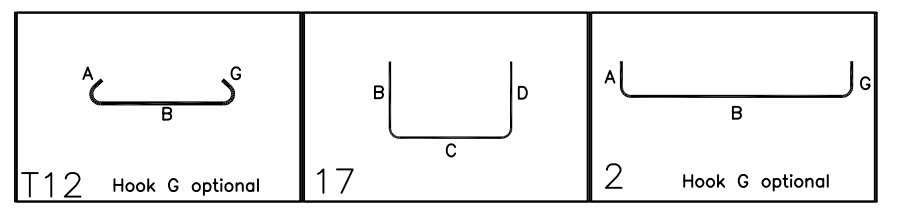
GRADE A615/60(UNO)				STRUCTURE SHEAR WALL REINFORCEMENT DETAILS			
PREFIX C				FLOOR CELLAR TO 2ND FLOOR (-6'-10" TO 9'-11")			
BAR LIST NOS.				JOB NO. -			
REV 0	DESCRIPTION IFA	ISSUED DATE 09/20/2022	ISSUED FOR APPROVAL	CUSTOMER -	JOB 31-27 CRESCENT ST		
				LOCATION LONG ISLAND, NY 11106			
DRAWN MRS		DATE 09/20/2020	CONTROL CODE -	DWS. NO. R06			



E ELEVATION
 REF: F0-101.00 & S-3.3.00 (DT.05/19/22)
 SCALE: 1/4" = 1'-0"

FOR REINFORCEMENT DETAILS
 DETAILED BY OTHERS (TYP.)

Bar Mark	Qty	Size	Total Length	Type	X'	Y'	Z'	X''	Y''	Z''	X'''	Y'''	Z'''
3C04	48	#3	1'-4 3/4"	T12	0'-4 3/4"	0'-8"		0'-4 3/4"					
3C05	48	#3	1'-4 3/4"	T12	0'-4 3/4"	0'-8"		0'-4 3/4"					
3C06	48	#3	1'-4 3/4"	T12	0'-4 3/4"	0'-8"		0'-4 3/4"					
4C03	32	#4	28'-11 1/2"		0'-6"	28'-5"	2'-0"						
4C05	32	#4	11'-8 1/2"	2	0'-8"	10'-4 1/2"		0'-8"					



LAP SCHEDULE

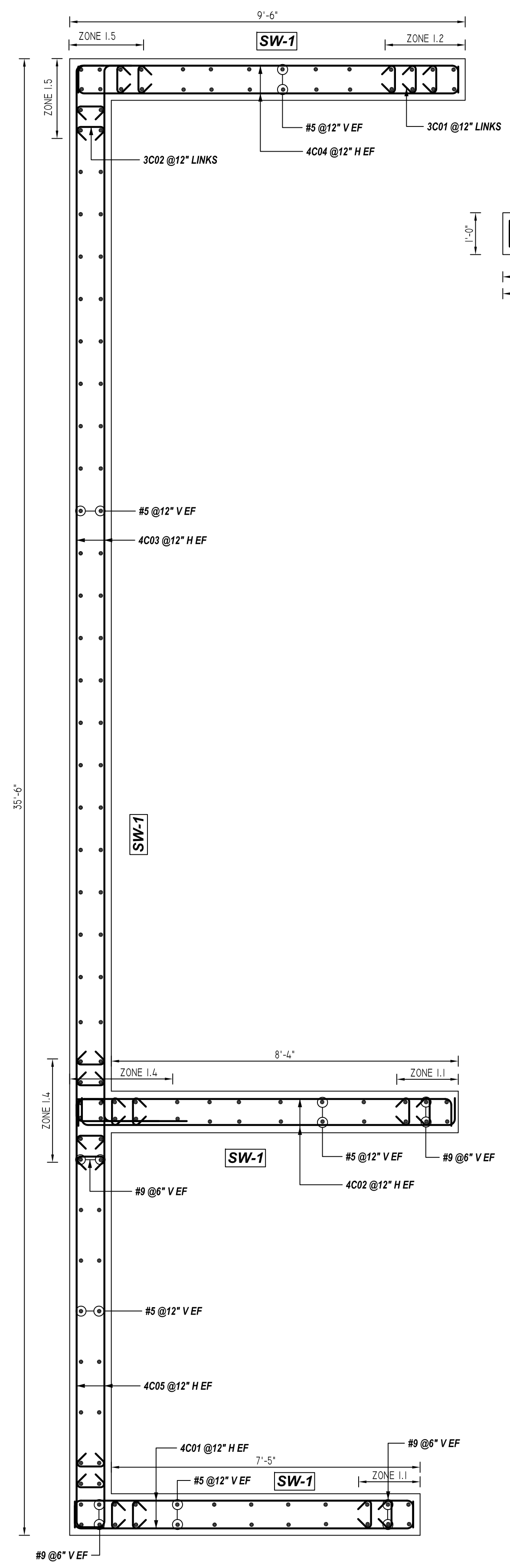
5000 PSI (CLASS-B) CASE - 1
 Per ACI 318 (12.2.2)

BAR#	TOP	OTHERS
#3	22"	17"
#4	29"	22"
#5	36"	28"
#6	54"	42"
#7	63"	49"
#8	72"	56"
#9	81"	63"
#10	92"	71"
#11	127"	98"

TYPICAL REINFORCING BAR CLEARANCE TABLE	
LOCATION	MIN. COVER
WALL SIDE	2" CLR
WALL TOP & BOTTOM	1 1/2" CLR

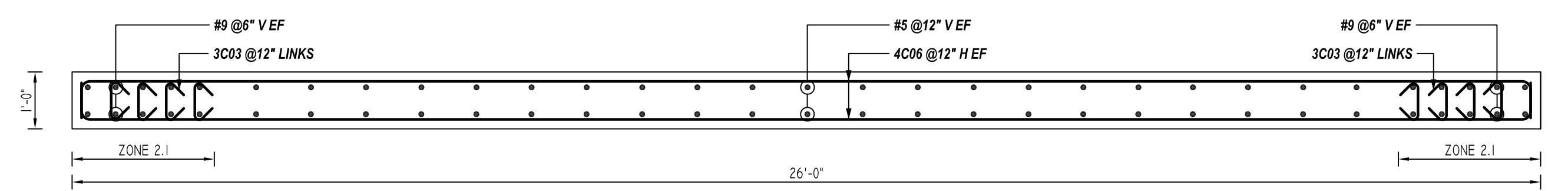
**ALL BARS IN THIS DRAWING
 ASTM A615 GRADE 60
 BLACK UNCOATED**

ALL TOP BARS ARE DEFINED AS
 HORIZ BARS WITH MORE THAN
 12" OF CONCRETE BELOW BARS.

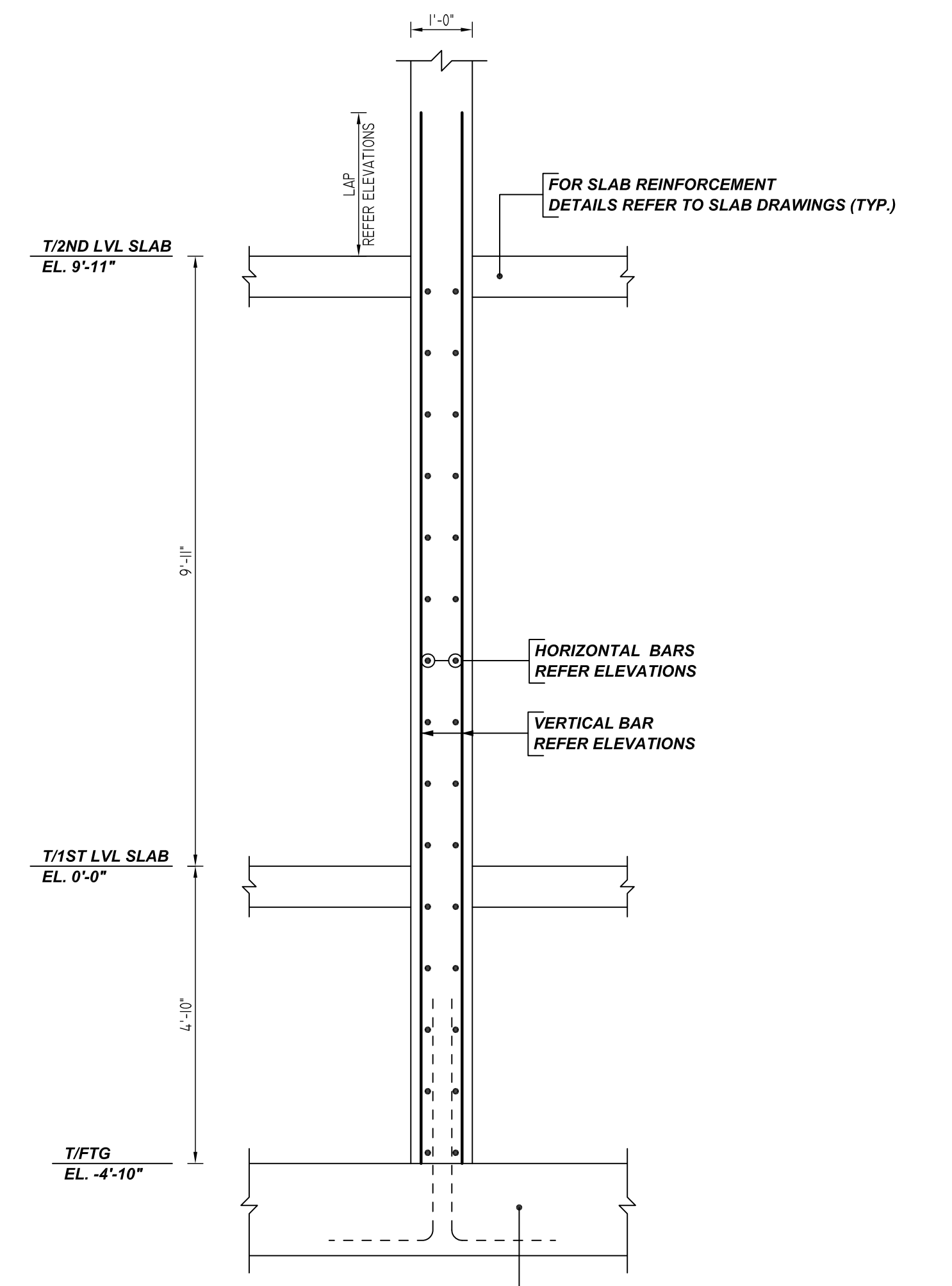


SW-1 (PLAN VIEW)
 REF: F0-101.00 & S-3.3.00 (DT.05/19/22)
 SCALE: 1/4" = 1'-0"

A/E PLEASE VERIFY
 BAR ARRANGEMENT DETAILS



SW-2 (PLAN VIEW)
 REF: F0-101.00 & S-3.3.00 (DT.05/19/22)
 SCALE: 1/4" = 1'-0"



1 SECTION
 REF: F0-101.00 & S-3.3.00 (DT.05/19/22)
 SCALE: 1/2" = 1'-0"

FOR REINFORCEMENT DETAILS
 DETAILED BY OTHERS

FOR APPROVAL

GRADE	A615/60(UNO)						
PREFIX	C						
BAR LIST NOS.							
REV	DESCRIPTION	ISSUED DATE	ISSUED FOR	STRUCTURE	SHEAR WALL REINFORCEMENT DETAILS		
0	IFA	09/20/2022	APPROVAL	FLOOR	CELLAR TO 2ND FLOOR (-6'-10" TO 9'-11")		
				JOB NO			
				CUSTOMER			
				JOB	31-27 CRESCENT ST		
				LOCATION	LONG ISLAND, NY 11106		
				DRAWN	DATE	CONTROL CODE	DWS. NO.
	MRS	09/20/2020	-				R07