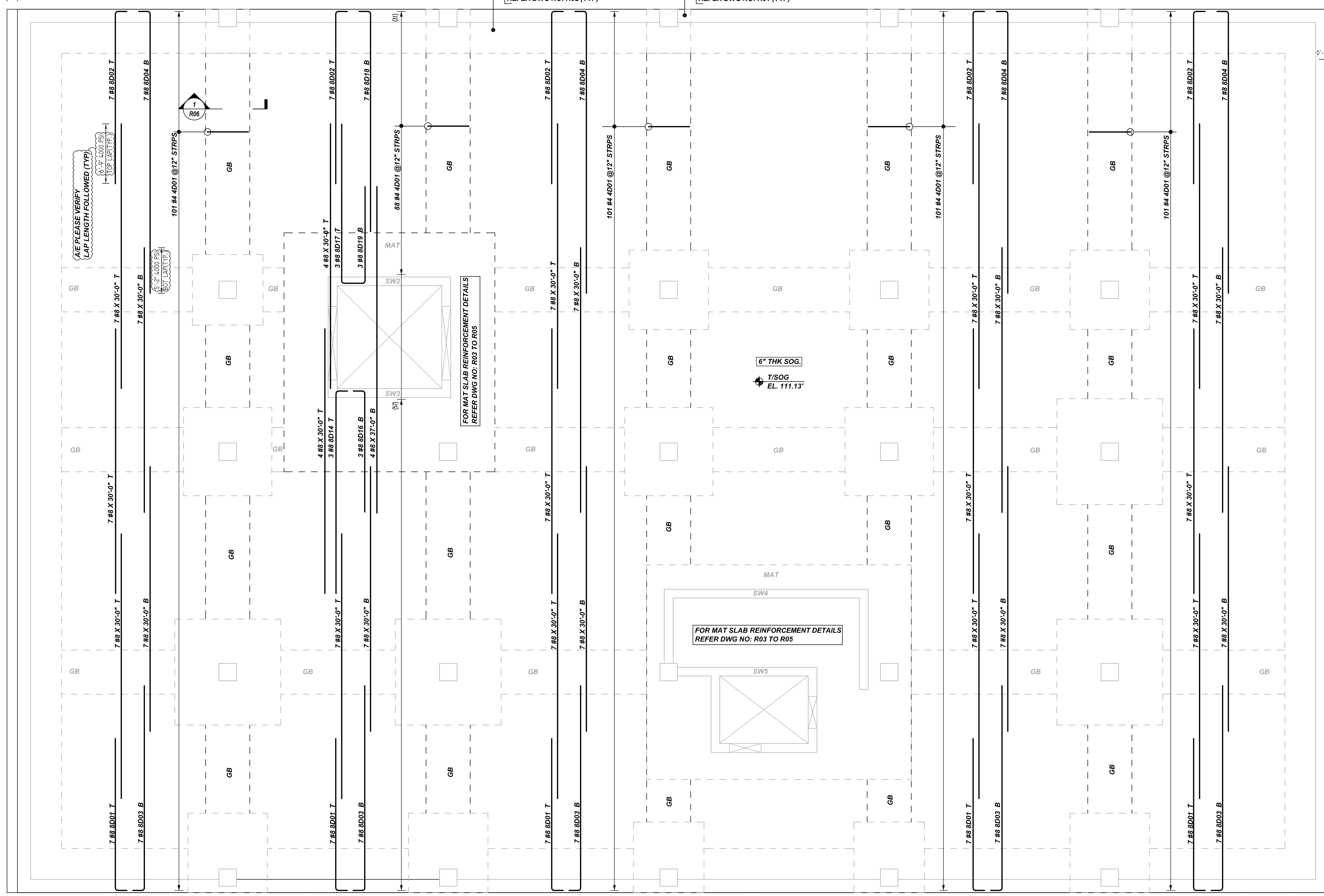
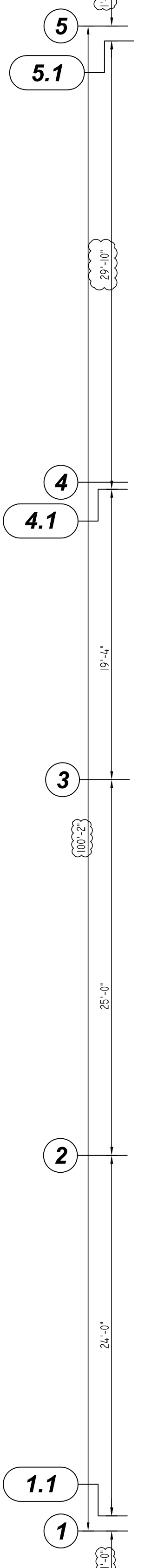
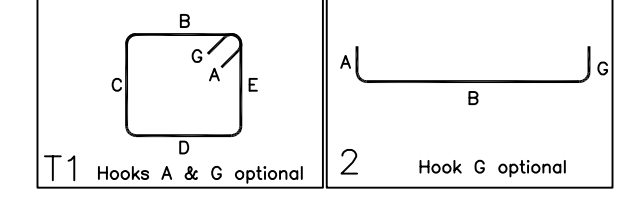


Release Number: R06

Bar Mark	Qty	Size	Total Length	Type	X	Y	Z	W	V	U	T	S	R	Q	P	O	N	M	L	K	J	I	H	G	F	E	D	C	B	A
4001	4923	#4	13'-5"	T1	0'-4"	4'-8"																								
8001	35	#8	18'-7"	2	1'-4"	17'-3"																								
8002	35	#8	20'-11"	2	1'-4"	19'-7"																								
8003	35	#8	24'-7"	2	1'-4"	23'-3"																								
8004	28	#8	33'-4"	2	1'-4"	32'-0"																								
8014	3	#8	24'-4"	2	1'-4"	23'-0"																								
8016	3	#8	15'-1"	2	1'-4"	13'-9"																								
8017	3	#8	19'-5"	2	1'-4"	18'-1"																								
8018	7	#8	26'-4"	2	1'-4"	25'-0"																								
8019	3	#8	12'-4"	2	1'-4"	11'-0"																								



TYPICAL REINFORCING BAR CLEARANCE TABLE

LOCATION	MIN. COVER
FTG / MAT SLAB BOTTOM & SIDE	3" CLR
FTG / MAT SLAB TOP	2" CLR
COLUMN TIES	1.5" CLR
WALL	2" CLR
GRADE BEAM / STIRRUPS	2" CLR

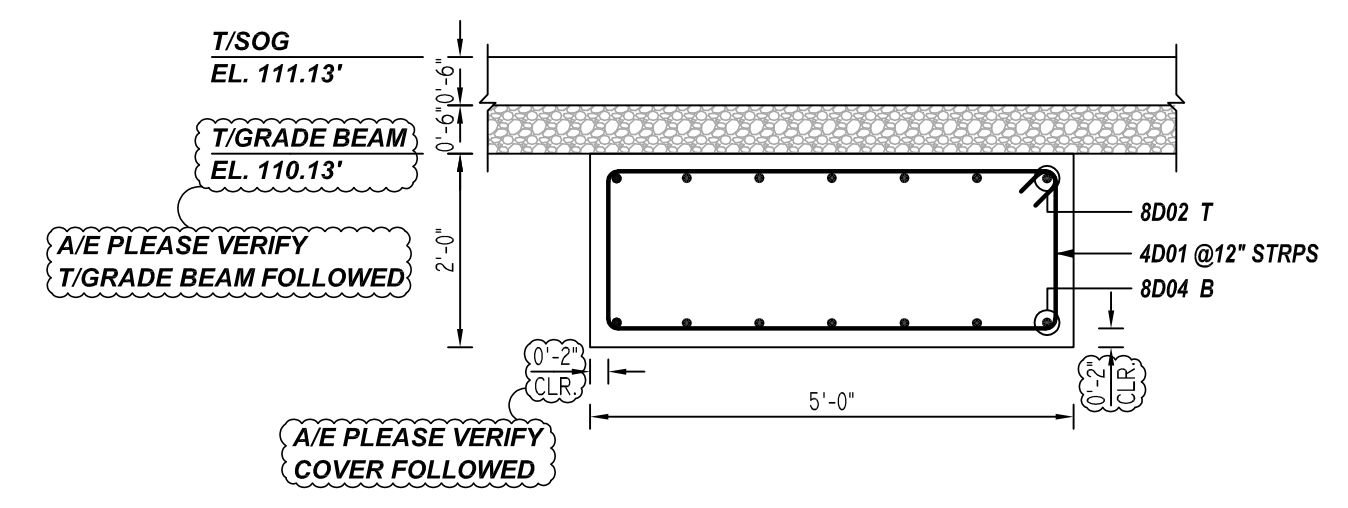
LAP SCHEDULE
4000 PSI (CLASS-B) CASE - 1
Per ACI :318 (12.2.2)

BAR#	LENGTHS	
	TOP	OTHERS
#3	2'-1"	1'-7"
#4	2'-9"	2'-1"
#5	3'-4"	2'-7"
#6	4'-0"	3'-1"
#7	5'-10"	4'-6"
#8	6'-9"	5'-2"
#9	7'-7"	5'-10"
#10	8'-7"	6'-7"
#11	9'-5"	7'-3"

LAP SCHEDULE
Per ACI :318 (12.2.2)

BAR#	FOR VERT. BARS
#3	12"
#4	15"
#5	19"
#6	23"
#7	27"
#8	30"
#9	34"
#10	39"
#11	43"

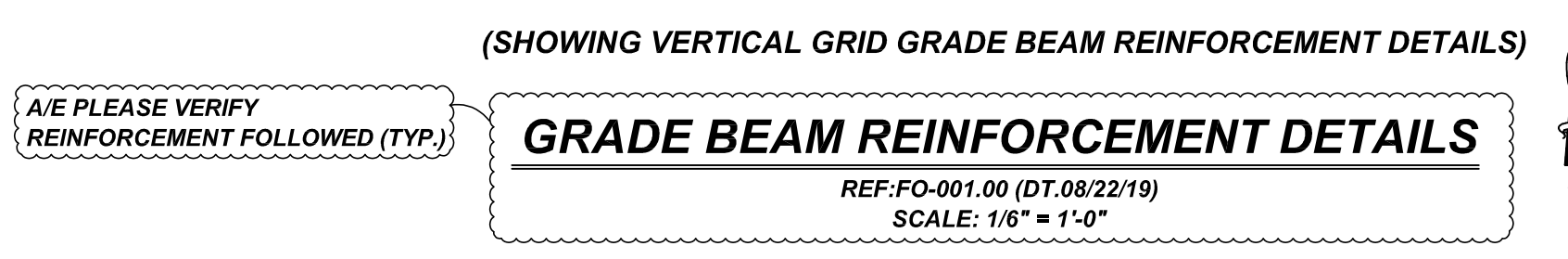
ALL TOP BARS ARE DEFINED AS HORIZ BARS WITH MORE THAN 12" OF CONCRETE BELOW BARS.



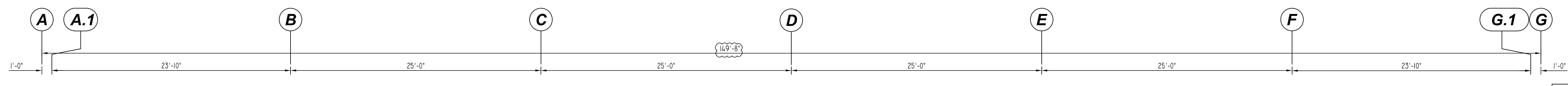
(SHOWING TYPICAL GRADE BEAM DETAIL)

1 SECTION
REF: 6/FO-200.00 (DT.08/22/19)
SCALE: 1/2" = 1'-0"

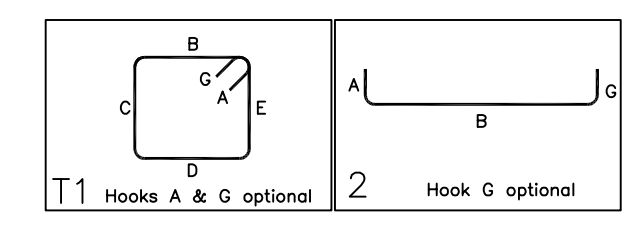
FOR APPROVAL



GRADE	A615/60(UNO)		
PREFIX	D		
BAR LIST NOS.			
REV	DESCRIPTION	ISSUED DATE	ISSUED FOR
0	IFA	09/21/2022	APPROVAL
STRUCTURE	GRADE BEAM REINFORCEMENT DETAILS		
FLOOR	FOUNDATION/CELLAR LEVEL		
JOB NO	-		
CUSTOMER	FIVE HANDS CONSTRUCTION LLC		
JOB	714 39TH STREET		
LOCATION	BROOKLYN, NY 11232		
DRAWN	DATE	CONTROL CODE	DWG. NO.
MRS	09/21/2022	-	R06



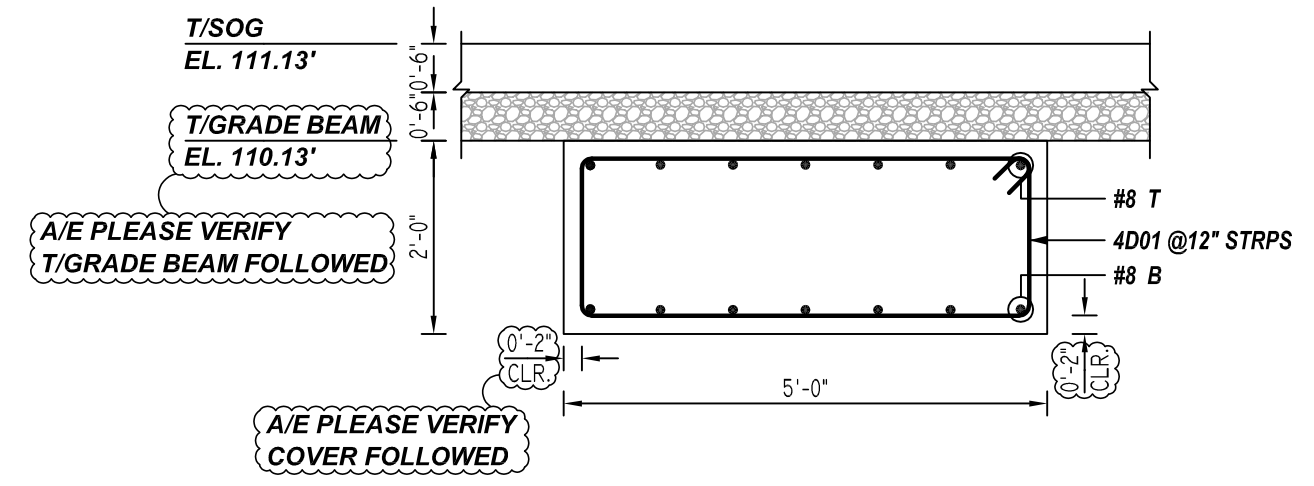
Bar Mark	Qty	Size	Total Length	Type	X	Y	W	V	W	V	W	V	W	V	W	V	
8001	428	#4	13'-5"	T	0'-4"	4'-8"			1'-8"	4'-8"	1'-8"		0'-4"				
8003	21	#8	24'-7"	2	1'-4"	23'-3"											
8005	21	#8	19'-7"	2	1'-4"	14'-3"											
8006	21	#8	40'-0"	2	1'-4"	35'-8"											
8007	21	#8	21'-4"	2	1'-4"	20'-0"											
8008	4	#8	28'-7"	2	1'-4"	28'-3"											
8009	4	#8	18'-1"	2	1'-4"	14'-9"											
8010	4	#8	19'-1"	2	1'-4"	17'-4"											
8011	4	#8	26'-9"	2	1'-4"	25'-5"											
8012	3	#8	28'-0"	2	1'-4"	26'-8"											
8013	3	#8	10'-1"	2	1'-4"	8'-9"											
8014	3	#8	24'-4"	2	1'-4"	23'-0"											
8015	3	#8	12'-0"	2	1'-4"	10'-8"											



TYPICAL REINFORCING BAR CLEARANCE TABLE	
LOCATION	MIN. COVER
FTG / MAT SLAB BOTTOM & SIDE	3" CLR
FTG / MAT SLAB TOP	2" CLR
COLUMN TIES	1.5" CLR
WALL	2" CLR
GRADE BEAM / STIRRUPS	2" CLR

LAP SCHEDULE			LAP SCHEDULE	
4000 PSI (CLASS-B) CASE - 1			Per ACI:318 (12.2.2)	
Per ACI:318 (12.2.2)			Per ACI:318 (12.2.2)	
BAR#	LENGTHS		BAR#	LENGTHS
	TOP	OTHERS		FOR VERT. BARS
#3	2'-1"	1'-7"	#3	12"
#4	2'-9"	2'-1"	#4	15"
#5	3'-4"	2'-7"	#5	19"
#6	4'-0"	3'-1"	#6	23"
#7	5'-10"	4'-6"	#7	27"
#8	6'-9"	5'-2"	#8	30"
#9	7'-7"	5'-10"	#9	34"
#10	8'-7"	6'-7"	#10	39"
#11	9'-5"	7'-3"	#11	43"

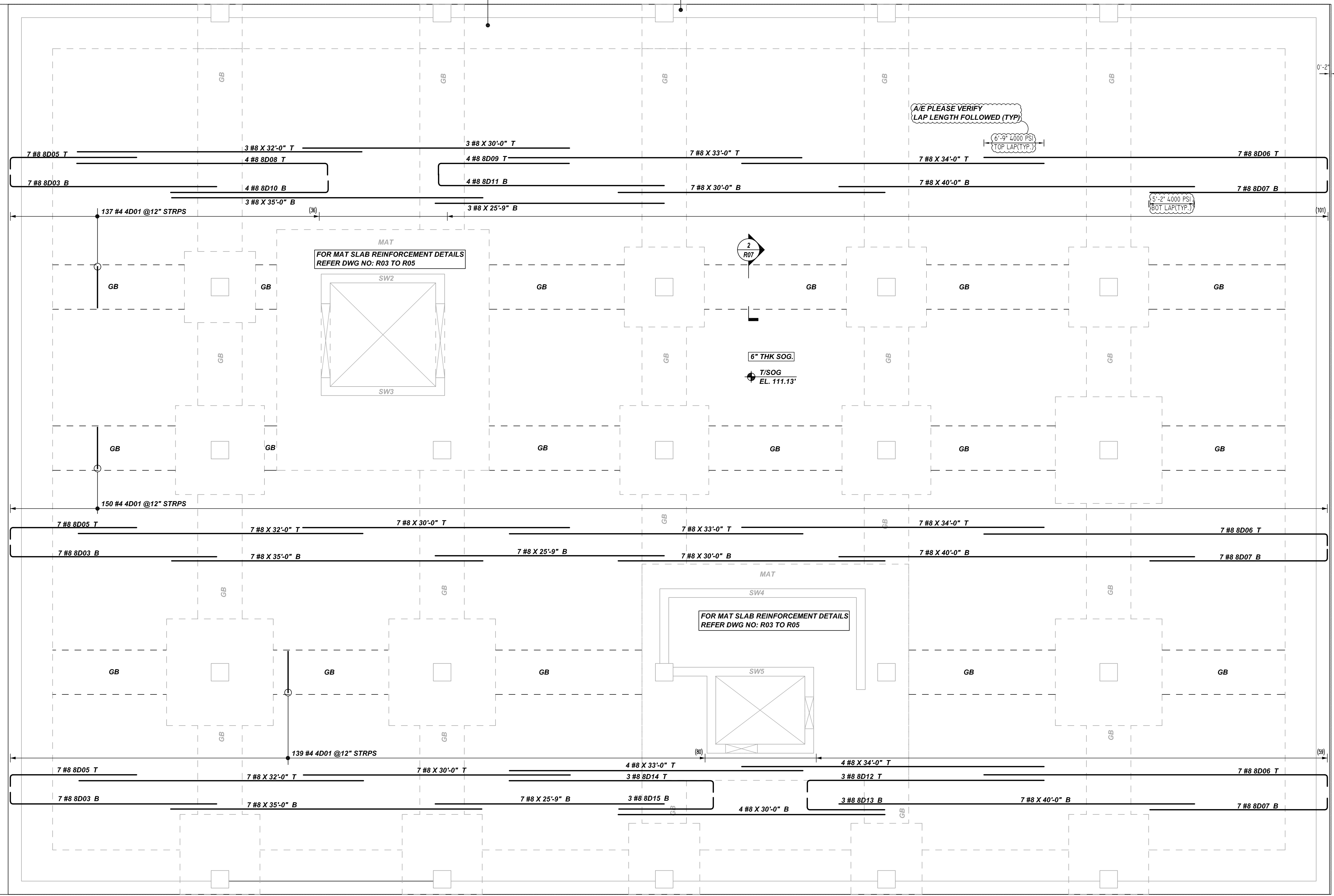
ALL TOP BARS ARE DEFINED AS HORIZ BARS WITH MORE THAN 12" OF CONCRETE BELOW BARS.



(SHOWING TYPICAL GRADE BEAM DETAIL)

2 SECTION
REF: 6/FO-200.00 (DT.08/22/19)
SCALE: 1/2" = 1'-0"

FOR APPROVAL



(SHOWING HORIZONTAL GRID GRADE BEAM REINFORCEMENT DETAILS)

A/E PLEASE VERIFY REINFORCEMENT FOLLOWED (TYP.)

GRADE BEAM REINFORCEMENT DETAILS

REF: FO-001.00 (DT.08/22/19)
SCALE: 1/6" = 1'-0"

GRADE	A615/60(UNO)		
PREFIX	D		
BAR LIST NOS.			
REV	DESCRIPTION	ISSUED DATE	ISSUED FOR
0	IFA	09/21/2022	APPROVAL
STRUCTURE	GRADE BEAM REINFORCEMENT DETAILS		
FLOOR	FOUNDATION/CELLAR LEVEL		
JOB NO.			
CUSTOMER	FIVE HANDS CONSTRUCTION LLC		
JOB	714 39TH STREET		
LOCATION	BROOKLYN, NY 11232		
DRAWN	DATE	CONTROL CODE	DWG. NO.
MRS	09/21/2022	-	R07