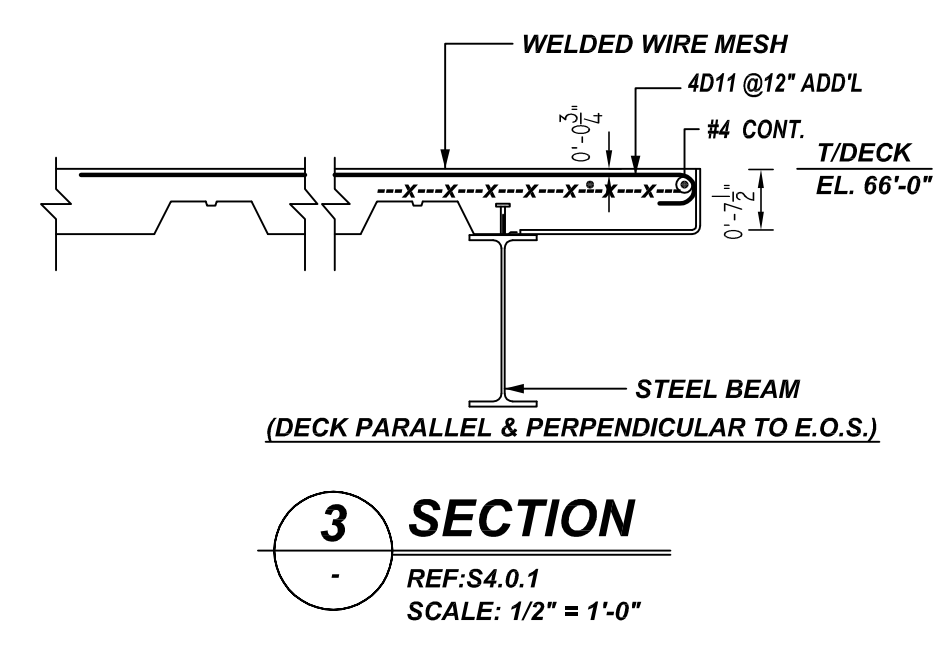
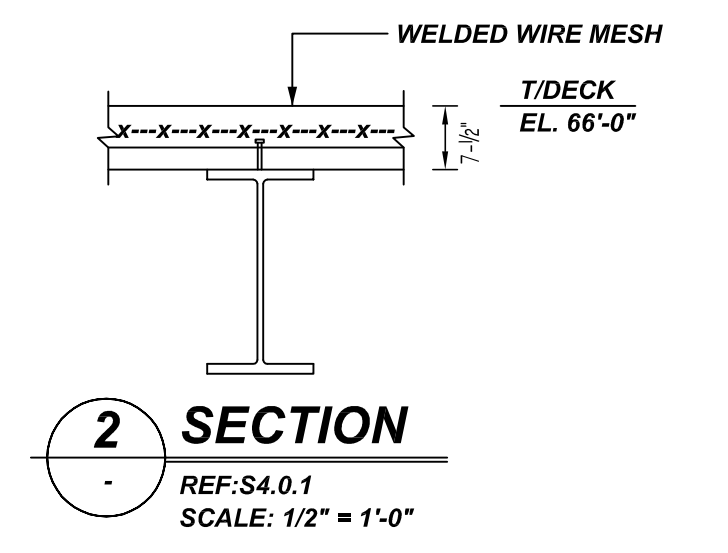
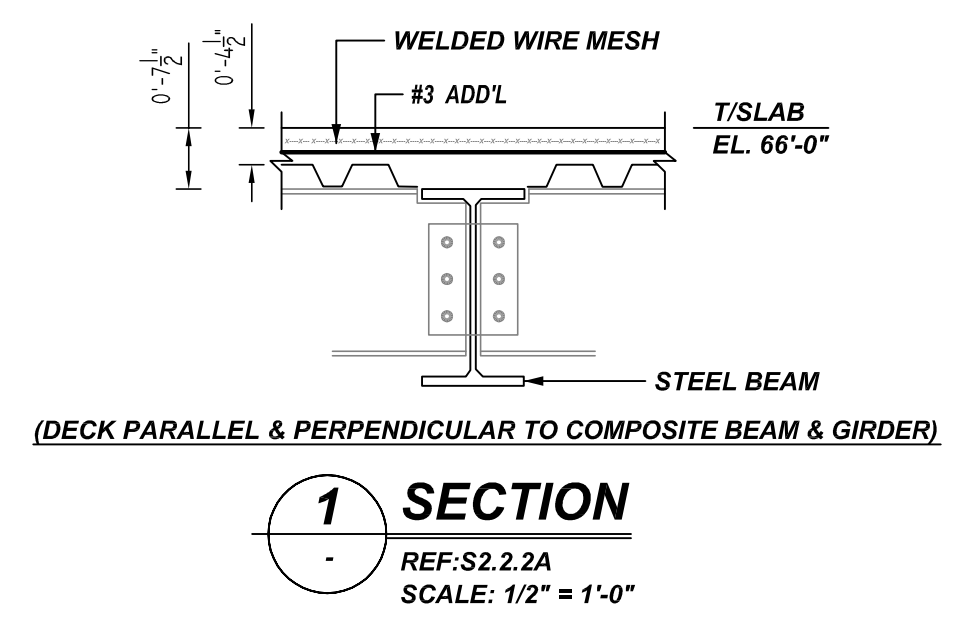


LEVEL-3 AREA-B DECK ON SLAB REINFORCEMENT DETAILS
 REF: S.2.2.3B
 SCALE: 1/8" = 1'-0"

A/E PLEASE VERIFY FIELD CUT AND BAR ARRANGEMENT DETAILS

NOTICE
 SHORTAGES, IMPROPER FABRICATION OR CLAIMS FOR ANY OTHER REASON MUST BE REPORTED TO THIS COMPANY WITHIN 10 DAYS FROM ORIGINAL DELIVERY. THIS COMPANY ALSO RESERVES THE RIGHT TO FIELD INSPECT MATERIALS PRIOR TO REPLACEMENT OR RECONDITIONING OF MATERIALS AND WILL NOT BE LIABLE FOR CHARGES FROM WORK DONE IN THE FIELD WITHOUT PRIOR AUTHORIZATION FROM THIS COMPANY.

REINFORCING STEEL PLACING DRAWING ONLY. USE IN CONJUNCTION WITH CONTRACT DRAWINGS & SPECIFICATIONS. ELEVATIONS & DIMENSIONS SHOWN ON DRAWING ARE FOR DETAILING PURPOSES ONLY AND SHOULD NOT BE USED FOR CONSTRUCTION UNLESS VERIFIED BY ENGINEER OR CONTRACTOR.



A/E PLEASE VERIFY LAP VALUE(TYP.)

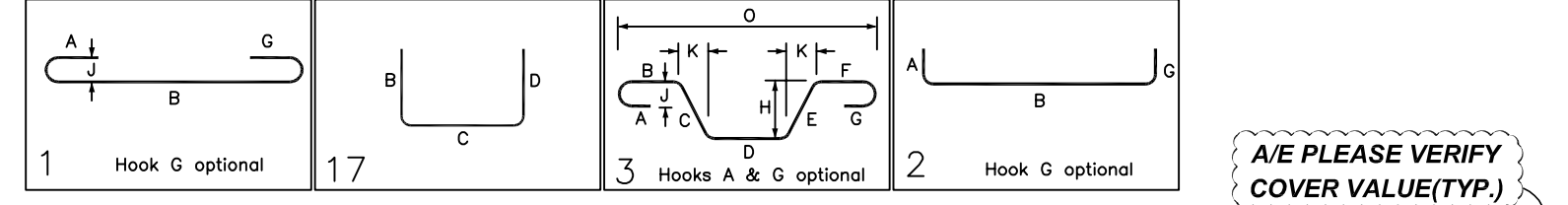
LAP SCHEDULE
 4000 PSI (CLASS-B) CASE - 1
 Per ACI 318 (12.2.2)

BAR#	LENGTHS	
	TOP	OTHERS
#3	2'-0"	1'-7"
#4	2'-8"	2'-1"
#5	3'-4"	2'-7"
#6	4'-0"	3'-1"
#7	5'-10"	4'-6"
#8	6'-8"	5'-2"
#9	7'-7"	5'-10"
#10	8'-6"	6'-7"
#11	9'-5"	7'-3"

ALL TOP BARS ARE DEFINED AS HORIZ BARS WITH MORE THAN 12" OF CONCRETE BELOW BARS.

Release Number: R07

Bar Mark	Qty	Size	Total Length	Type	Y	X	Y	X	Y	X	Y	X	Y	X
4001	29	#4	3'-0"	1	0'-6"	7'-6"								
4002	46	#4	5'-0"	17	2'-6"	2'-6"								
4003	2	#4	19'-11 1/2"	3	2'-6"	17'-6 1/2"								
4004	2	#4	10'-7 1/2"	3	2'-6"	8'-3 1/2"								
4005	2	#4	8'-11 1/2"	3	6'-6"	2'-5 1/2"								
4006	1	#4	8'-0"	17	4'-0"	4'-0"								
4007	2	#4	4'-8"	2	0'-6"	4'-0"								
4008	13	#4	8'-6"	1	0'-6"	8'-0"								
4009	20	#4	2'-4"	1	0'-6"	1'-4"								
4010	50	#4	8'-6"	1	0'-6"	9'-0"								
4011	2	#4	8'-0"	17	2'-6"	5'-6"								
4012	2	#4	7'-0"	17	2'-6"	4'-6"								
4013	2	#4	7'-4"	17	2'-6"	4'-10"								
4014	4	#4	7'-4"	17	2'-6"	2'-4"	2'-6"							
4015	12	#4	7'-4"	1	0'-6"	6'-4"								



ALL BARS IN THIS DRAWING
 ASTM A615 GRADE 60
 BLACK UNCOATED

TYPICAL REINFORCING BAR CLEARANCE TABLE

LOCATION	MIN. COVER
SLAB TOP & BOTTOM	2" CLR
SLAB EDGE	2" CLR

REBAR GRADE 60 ASTM A-615

SPLICES USED
 CLASS B 4,000 psi UNO

TOP BARS	OTHER BARS	BAR MARK SIZE	EQUIVALENT
#3	#3	#3	#10
#4	#4	#4	#13
#5	#5	#5	#16
#6	#6	#6	#19
#7	#7	#7	#22
#8	#8	#8	#25
#9	#9	#9	#29
#10	#10	#10	#32
#11	#11	#11	#36
#14	#14	#14	

ABBREVIATIONS
 ADD. = Additional
 B.O.W. = Bottom of wall
 C.B. = Corner Bars
 DIAG. = Diagonal
 D.O. = Door Opening
 DWLS. = Dowels
 E.F. = Each Face
 E.S. = Each Side
 E.W. = Each Way
 F.T.S. = Footing
 F.F. = Far Face
 HORIZ. = Horizontal
 I.F. = Inside Face
 INTERS. = Intersection
 L.W. = long Way
 N.F. = Near Face
 O.F. = Outside Face
 S.W. = Short Way
 T&B = Top & Bottom
 T.O.W. = Top of Wall
 Trans. = Transverse
 VERT. = Vertical

VIRGINIA TECH
 LEVEL-3 AREA-B SLAB ON DECK REINFORCEMENT DETAILS
ALEXANDRIA, VIRGINIA

CUSTOMER: -
 DESIGNER: A&F ENGINEER

REV NO	DATE	SENT FOR	REV NO	DATE	SENT FOR	DRAWN BY	DATE	JOB NO	SHEET NO.
0	04.13.22	APPROVAL				JMS/MET	04.13.22	-	R07