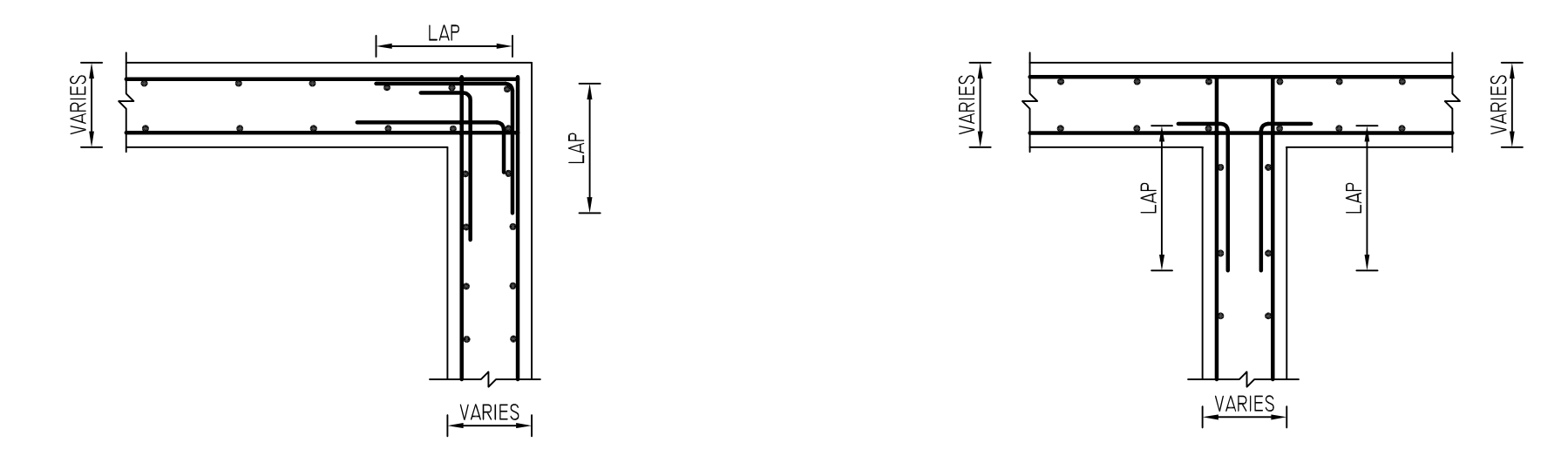


**TYPICAL WALL DETAILS**  
REF: FO-300  
SCALE: 1/2" = 1'-0"



**TYPICAL CORNER AND INTERSECTION DETAIL**  
REF: FO-300  
SCALE: 1/2" = 1'-0"

**FOUNDATION WALL LAYOUT**  
REF: FO.100.00 (DT.07/06/22)  
SCALE: 1/8" = 1'-0"

A/E PLEASE VERIFY LAP VALUE.

**LAP SCHEDULE**  
5000 PSI (CLASS-B) CASE - 1  
Per ACI 318 (12.2.2)

BAR#	LENGTHS	
	TOP	OTHERS
#3	1'-9"	1'-9"
#4	2'-6"	2'-0"
#5	3'-11"	3'-1"
#6	5'-7"	4'-3"
#7	7'-6"	5'-9"
#8	9'-11"	7'-7"
#9	12'-6"	9'-8"
#10	15'-10"	12'-2"
#11	19'-5"	15'-0"

ALL TOP BARS ARE DEFINED AS HORIZ BARS WITH MORE THAN 12" OF CONCRETE BELOW BARS.

A/E PLEASE VERIFY COVER VALUE.

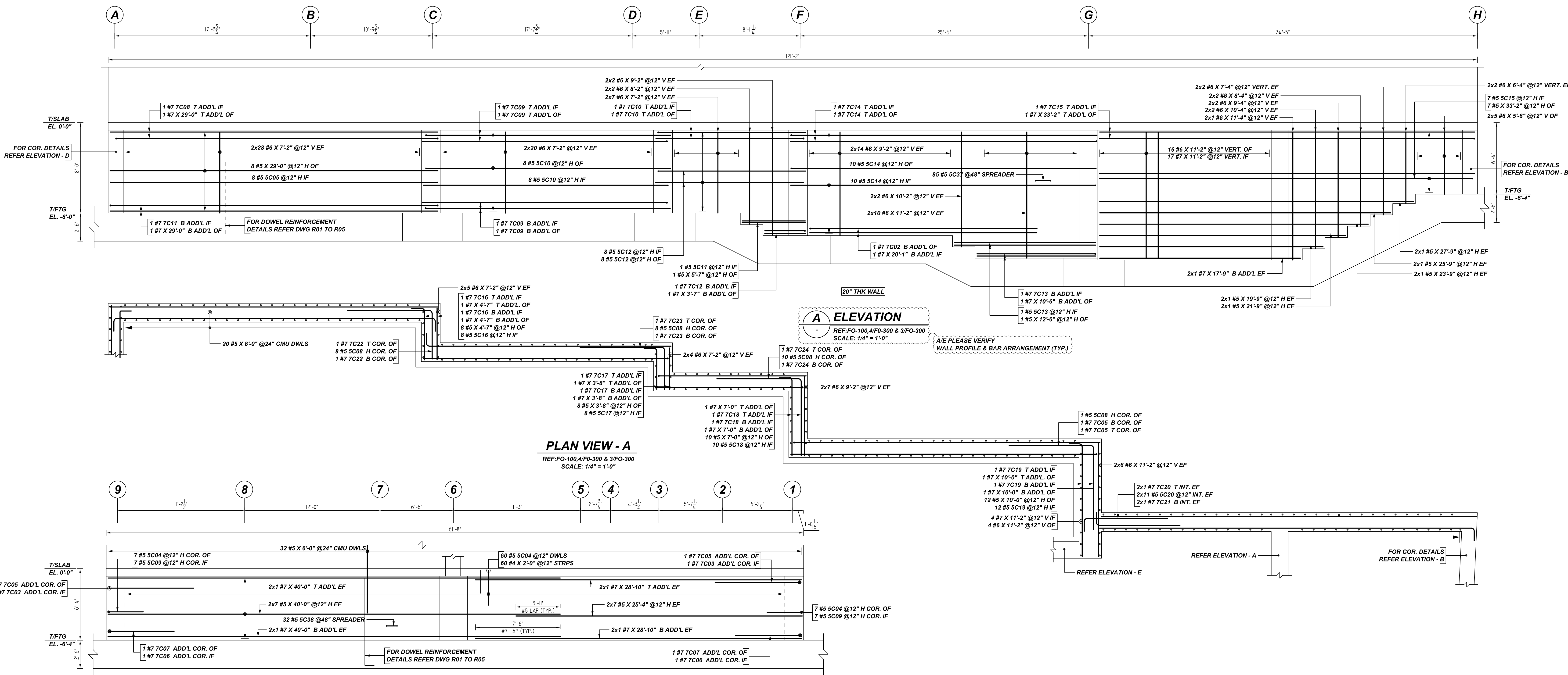
**TYPICAL REINFORCING BAR CLEARANCE TABLE**

LOCATION	MIN. COVER
WALL TOP & SIDE	2" CLR

**ALL BARS IN THIS DRAWING  
ASTM A615 GRADE 60  
BLACK UNCOATED**

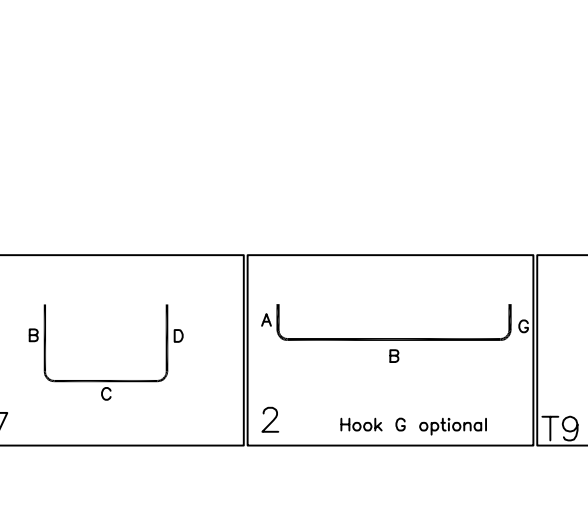
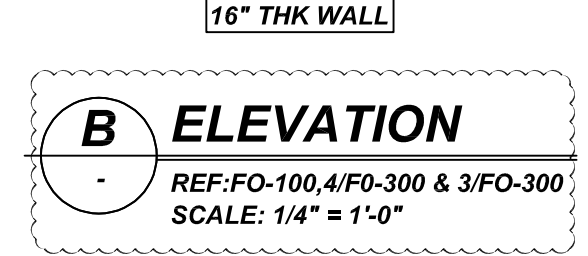
FOR APPROVAL

GRADE	A615/60 (UNO)		
PREFIX	C		
BAR LIST NOS.	-		
REV	DESCRIPTION	ISSUED DATE	ISSUED FOR
1	IFA	07/22/2022	APPROVAL
STRUCTURE	FOUNDATION WALL LAYOUT		
FLOOR	FOUNDATION TO 1ST FLOOR		
JOB NO	-		
CUSTOMER	LEGACY CONTRACTORS NYC		
JOB	92-54 QUEENS BOULEVARD		
LOCATION	QUEENS, NY, 11374		
DRAWN	DATE	CONTROL CODE	DWG. NO.
MRS	07/22/2022	-	R07



Release Number: R08

Bar Mark	Qty	Size	Total Length	Type	X	Y	Z	W	V	U	T	S	R	Q	P	O	N	M	L	K	J	I	H	G	F	E	D	C	B	A	
5004	74	#5	6'-2"	17																											
5005	8	#5	30'-6"	2																											
5006	27	#5	7'-10"	17																											
5009	14	#5	3'-11"	2																											
5010	16	#5	22'-6"	2																											
5011	1	#5	6'-5"	2																											
5012	16	#5	13'-11"	2																											
5013	1	#5	13'-4"	2																											
5014	20	#5	27'-10"	2																											
5015	7	#5	33'-10"	2																											
5016	8	#5	5'-5"	2																											
5017	8	#5	4'-6"	2																											
5018	10	#5	7'-10"	2																											
5019	12	#5	10'-10"	2																											
5020	22	#5	3'-10"	2																											
5021	18	#5	2'-8"	19																											
5022	32	#5	1'-11 1/2"	19																											
7002	1	#7	21'-3"	2																											
7003	2	#7	8'-6"	2																											
7005	4	#7	15'-0"	17																											
7006	2	#7	6'-11"	2																											
7007	2	#7	11'-5"	17																											
7008	1	#7	30'-10"	2																											
7009	4	#7	22'-10"	2																											
7010	2	#7	14'-3"	2																											
7011	1	#7	31'-4"	2																											
7012	1	#7	4'-9"	2																											
7013	1	#7	11'-8"	2																											
7014	2	#7	28'-3"	2																											
7015	1	#7	34'-4"	2																											
7016	2	#7	5'-9"	2																											
7017	2	#7	4'-10"	2																											
7018	2	#7	8'-2"	2																											
7019	2	#7	11'-2"	2																											
7020	2	#7	8'-7"	2																											
7021	2	#7	4'-2"	2																											
7022	2	#7	11'-10"	17																											
7023	2	#7	11'-3"	17																											
7024	2	#7	14'-4"	17																											



A/E PLEASE VERIFY LAP VALUE

**LAP SCHEDULE**  
5000 PSI (CLASS-B) CASE - 1  
Per ACI 318 (12.2.2)

BAR#	LENGTHS	
	TOP	OTHERS
#3	1'-9"	1'-9"
#4	2'-6"	2'-0"
#5	3'-11"	3'-1"
#6	5'-7"	4'-3"
#7	7'-6"	5'-9"
#8	9'-11"	7'-7"
#9	12'-6"	9'-8"
#10	15'-10"	12'-2"
#11	19'-5"	15'-0"

ALL TOP BARS ARE DEFINED AS HORIZ BARS WITH MORE THAN 12" OF CONCRETE BELOW BARS.

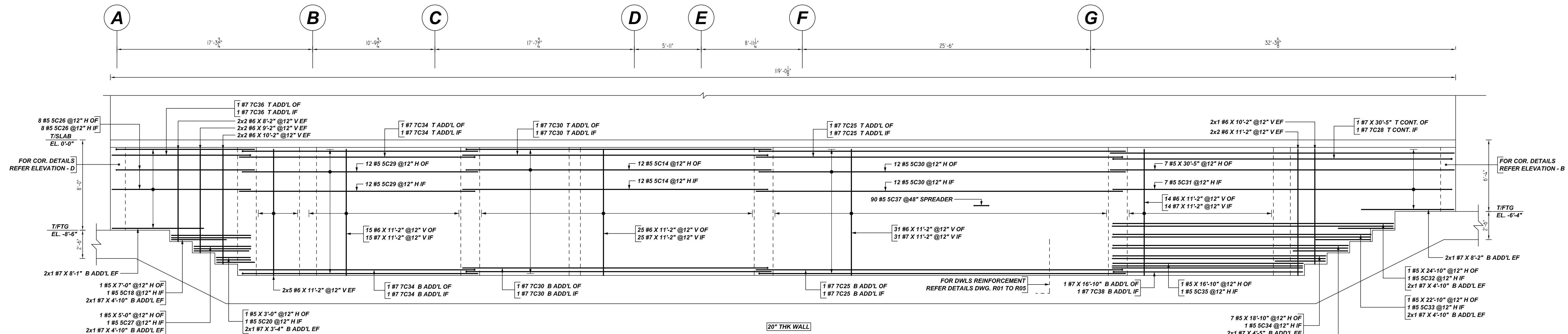
A/E PLEASE VERIFY COVER VALUE

TYPICAL REINFORCING BAR CLEARANCE TABLE	
LOCATION	MIN. COVER
WALL TOP & SIDE	2" CLR

**ALL BARS IN THIS DRAWING  
ASTM A615 GRADE 60  
BLACK UNCOATED**

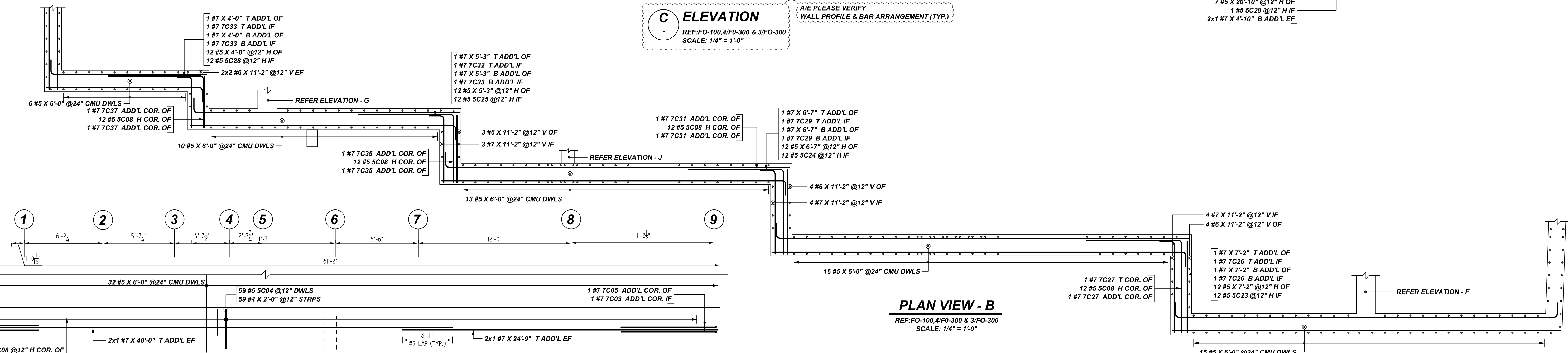
FOR APPROVAL

GRADE	A615/60 (UNO)		
PREFIX	C		
BAR LIST NOS.	---		
REV	DESCRIPTION	ISSUED DATE	ISSUED FOR
1	IFA	07/22/2022	APPROVAL
STRUCTURE	FOUNDATION WALL REINFORCEMENT DETAILS		
FLOOR	FOUNDATION TO 1ST FLOOR		
JOB NO.	---		
CUSTOMER	LEGACY CONTRACTORS NYC		
JOB	92-54 QUEENS BOULEVARD		
LOCATION	QUEENS, NY, 11374		
DRAWN	DATE	CONTROL CODE	DWG. NO.
MRS	07/22/2022	-	R08



**C ELEVATION**  
 REF:FO-100,4/FO-300 & 3/FO-300  
 SCALE: 1/4" = 1'-0"

A/E PLEASE VERIFY WALL PROFILE & BAR ARRANGEMENT (TYP.)

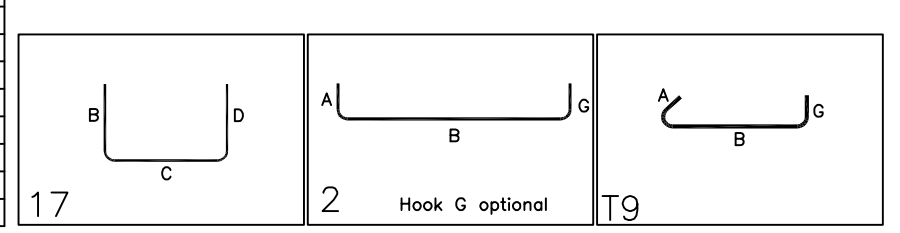


**PLAN VIEW - B**  
 REF:FO-100,4/FO-300 & 3/FO-300  
 SCALE: 1/4" = 1'-0"

Release Number: R09

Bar Mark	Qty	Size	Total Length	Type	X	Y	Z	T	W	V	U	S	R	Q	P	O	N	M	L	K	J	I	H	G	F	E	D	C	B	A	
S004	67	#6	6'-2"	17																											
S006	6	#6	4'-4"	2																											
S008	56	#6	7'-10"	17																											
S009	8	#6	5'-11"	2																											
S014	24	#6	27'-0"	2																											
S018	1	#6	7'-0"	2																											
S020	1	#6	5'-10"	2																											
S023	10	#6	8'-0"	2																											
S024	10	#6	7'-5"	2																											
S025	10	#6	6'-1"	2																											
S026	16	#6	15'-1"	2																											
S027	1	#6	5'-10"	2																											
S028	10	#6	4'-10"	2																											
S029	20	#6	21'-0"	2																											
S030	24	#6	15'-5"	2																											
S031	7	#6	31'-8"	2																											
S032	1	#6	25'-8"	2																											
S033	1	#6	23'-0"	2																											
S034	1	#6	19'-8"	2																											
S035	1	#6	17'-8"	2																											
S037	90	#6	2'-3 1/2"	19																											
S038	30	#6	1'-11 1/8"	19																											
T001	3	#7	8'-4"	2																											
T005	3	#7	15'-0"	17																											
T006	1	#7	6'-11"	2																											
T007	1	#7	11'-6"	17																											
T025	14	#7	15'-7"	2																											
T026	2	#7	8'-4"	2																											
T027	2	#7	14'-9"	17																											
T028	1	#7	30'-4"	2																											
T029	1	#7	7'-0"	2																											
T030	4	#7	26'-2"	2																											
T031	2	#7	14'-2"	17																											
T032	1	#7	6'-5"	2																											
T033	3	#7	6'-5"	2																											
T034	4	#7	22'-0"	2																											
T035	2	#7	12'-10"	17																											
T036	2	#7	15'-5"	2																											
T037	2	#7	11'-7"	17																											
T038	3	#7	17'-11"	2																											

**D ELEVATION**  
 REF:FO-100,4/FO-300 & 3/FO-300  
 SCALE: 1/4" = 1'-0"



A/E PLEASE VERIFY LAP VALUE

**LAP SCHEDULE**

5000 PSI (CLASS-B) CASE - 1  
 Per ACI 318 (12.2.2)

BAR#	LENGTHS	
	TOP	OTHERS
#3	1'-9"	1'-9"
#4	2'-6"	2'-0"
#5	3'-11"	3'-1"
#6	5'-7"	4'-3"
#7	7'-6"	5'-9"
#8	9'-11"	7'-7"
#9	12'-6"	9'-8"
#10	15'-10"	12'-2"
#11	19'-5"	15'-0"

ALL TOP BARS ARE DEFINED AS HORIZ BARS WITH MORE THAN 12" OF CONCRETE BELOW BARS.

A/E PLEASE VERIFY COVER VALUE

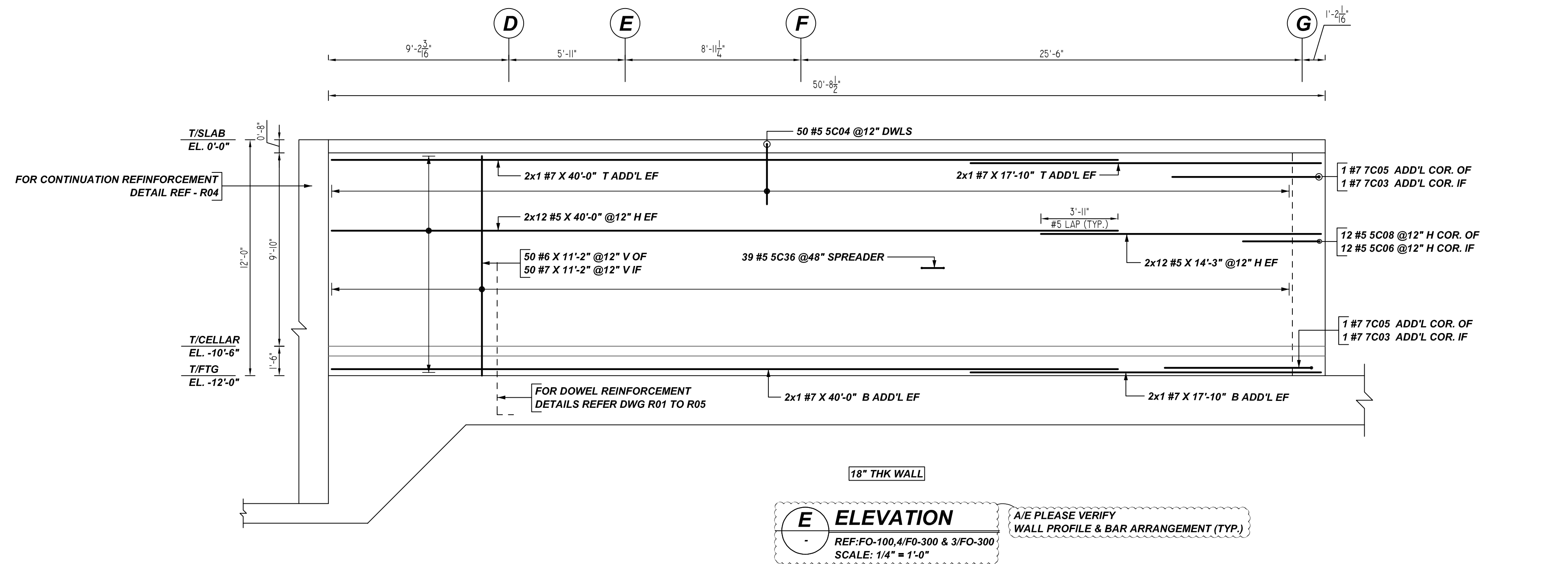
**TYPICAL REINFORCING BAR CLEARANCE TABLE**

LOCATION	MIN. COVER
WALL TOP & SIDE	2" CLR

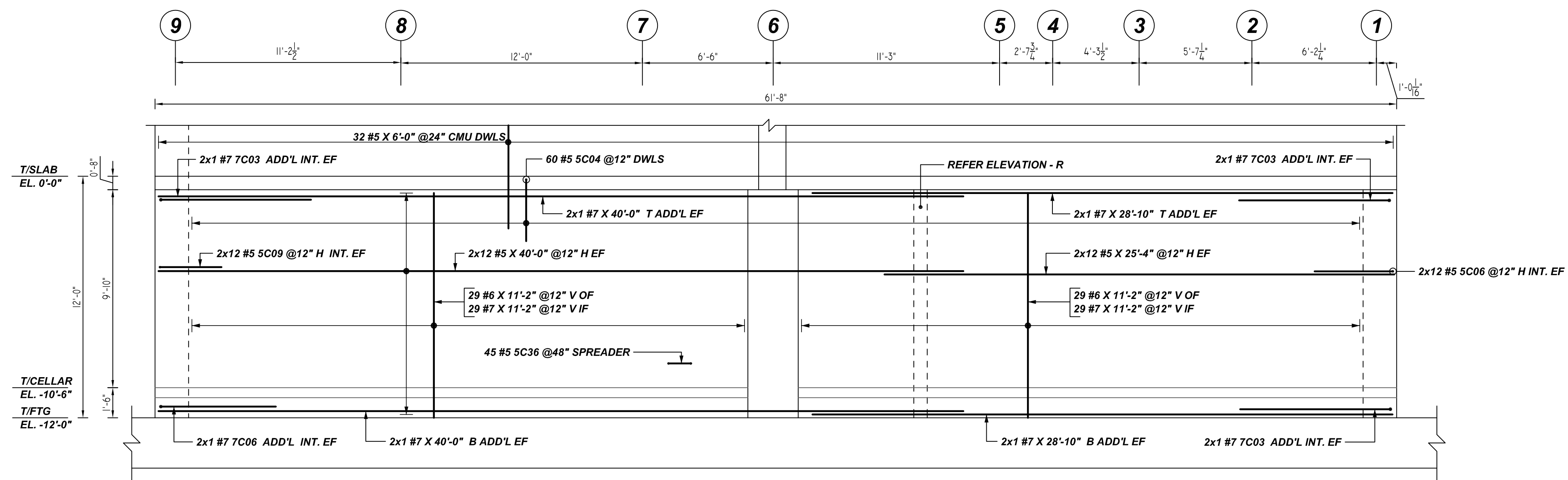
**ALL BARS IN THIS DRAWING  
 ASTM A615 GRADE 60  
 BLACK UNCOATED**

FOR APPROVAL

GRADE	A615/60 (UNO)		
PREFIX	C		
BAR LIST NOS.	---		
REV	DESCRIPTION	ISSUED DATE	ISSUED FOR
1	IFA	07/22/2022	APPROVAL
STRUCTURE	FOUNDATION WALL REINFORCEMENT DETAILS		
FLOOR	FOUNDATION TO 1ST FLOOR		
JOB NO.	---		
CUSTOMER	LEGACY CONTRACTORS NYC		
JOB	92-54 QUEENS BOULEVARD		
LOCATION	QUEENS, NY, 11374		
DRAWN	DATE	CONTROL CODE	DWG. NO.
MRS	07/22/2022	---	R09



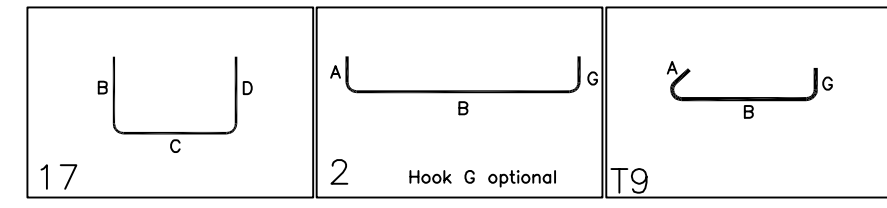
**E ELEVATION**  
 REF: FO-100, 4/FO-300 & 3/FO-300  
 SCALE: 1/4" = 1'-0"  
 A/E PLEASE VERIFY WALL PROFILE & BAR ARRANGEMENT (TYP.)



**F ELEVATION**  
 REF: FO-100, 4/FO-300 & 3/FO-300  
 SCALE: 1/4" = 1'-0"  
 A/E PLEASE VERIFY LAP VALUE

Release Number: R10

Bar Mark	Qty	Size	Total Length	Type	X	Y	Z	BENDING DETAILS												
								1	2	3	4	5	6	7	8	9	10	11	12	
5004	110	#5	6'-2"	17				3'-1"	3'-1"											
5006	36	#5	4'-9"	2	0'-10"			3'-11"												
5008	12	#5	7'-10"	17				3'-11"												
5009	24	#5	3'-11"	2	0'-10"			3'-1"												
5036	84	#5	2'-11"	19	0'-5 1/2"			1'-2"												
7003	8	#7	8'-6"	2	1'-2"			7'-6"												
7005	2	#7	15'-0"	17				7'-6"												
7006	2	#7	6'-11"	2	1'-2"			5'-8"												



**LAP SCHEDULE**  
 5000 PSI (CLASS-B) CASE - 1  
 Per ACI 318 (12.2.2)

BAR#	LENGTHS	
	TOP	OTHERS
#3	1'-9"	1'-9"
#4	2'-6"	2'-0"
#5	3'-11"	3'-1"
#6	5'-7"	4'-3"
#7	7'-6"	5'-9"
#8	9'-11"	7'-7"
#9	12'-6"	9'-8"
#10	15'-10"	12'-2"
#11	19'-5"	15'-0"

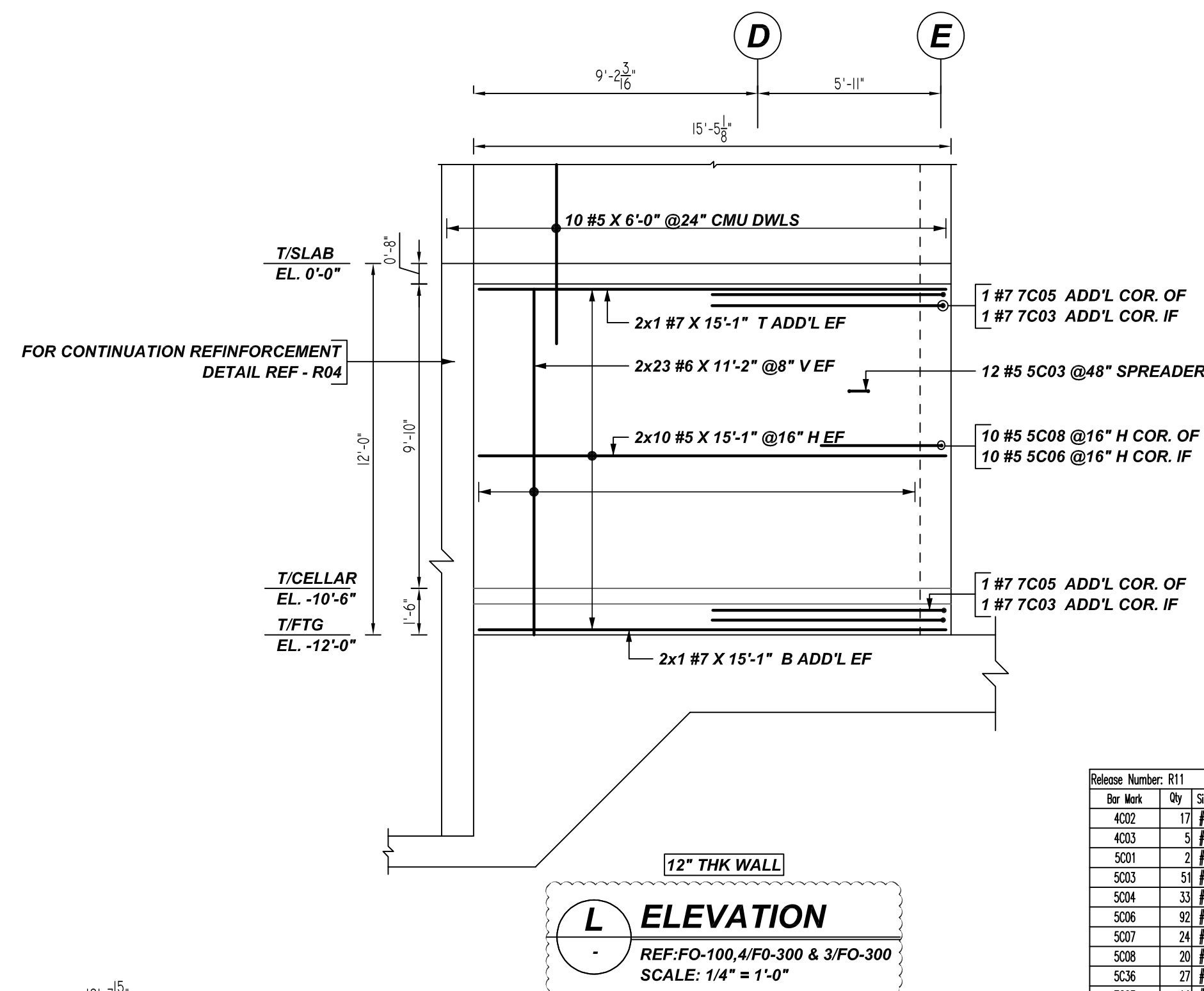
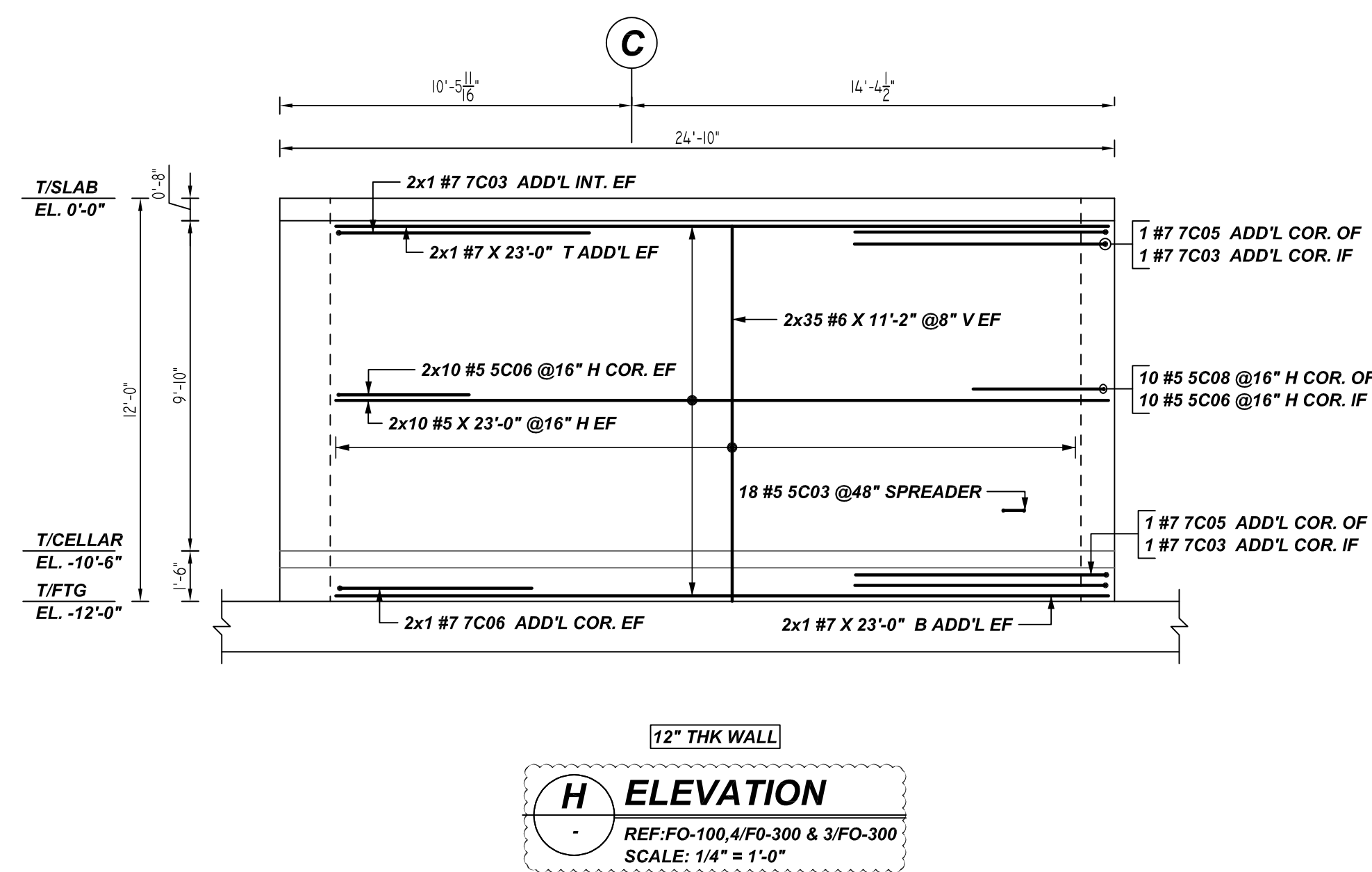
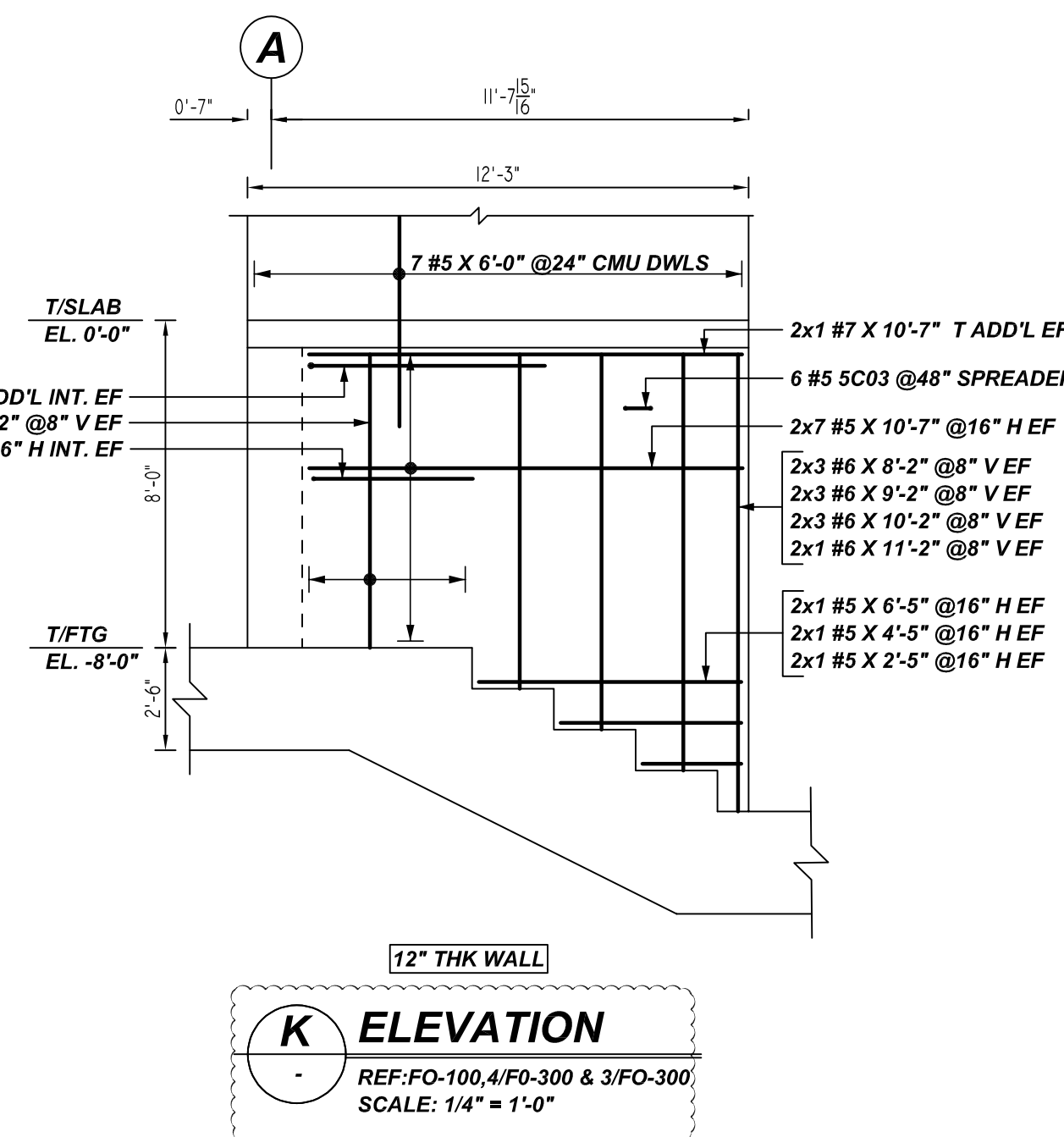
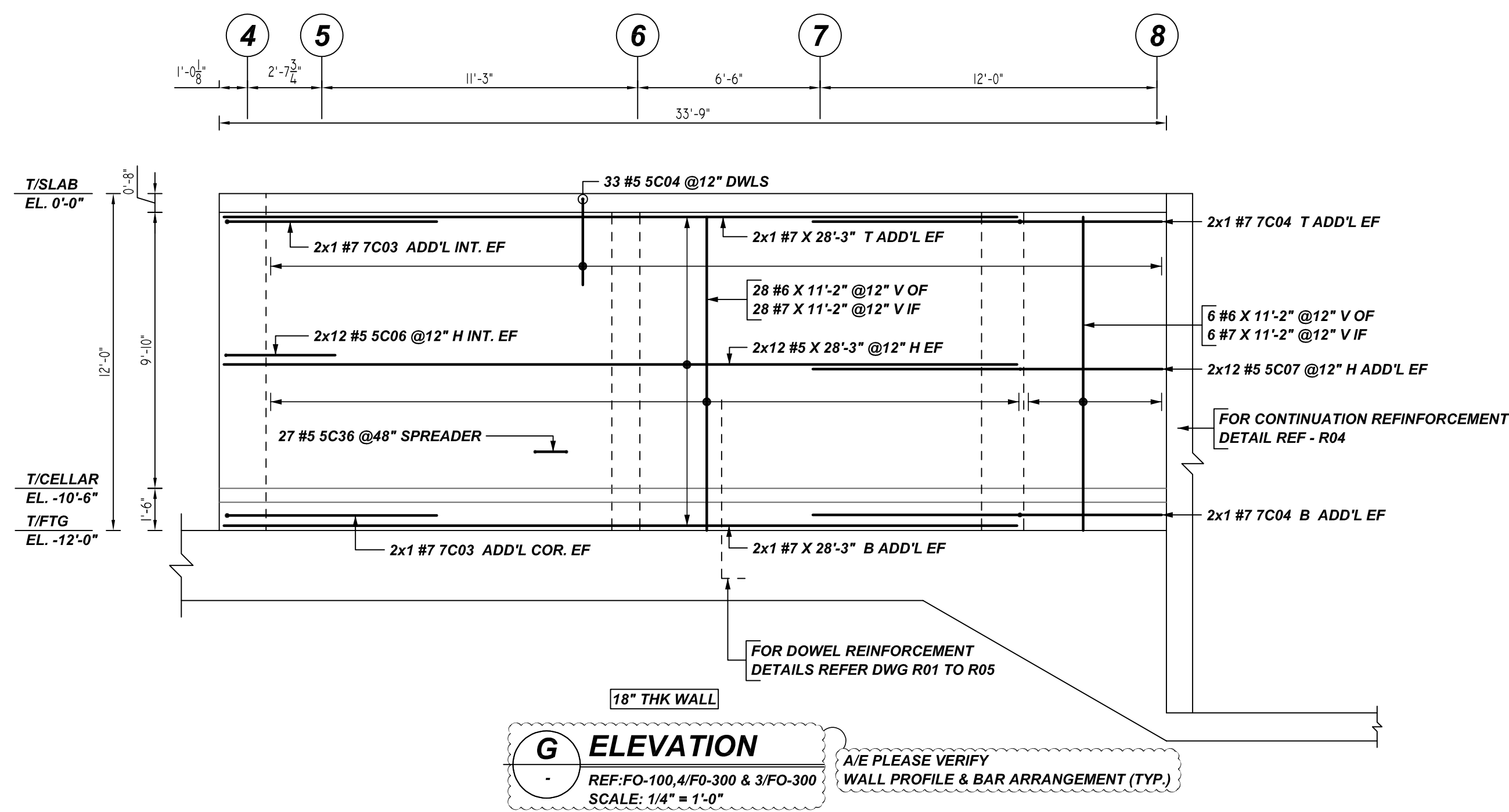
TYPICAL REINFORCING BAR CLEARANCE TABLE

LOCATION	MIN. COVER
WALL TOP & SIDE	2" CLR

**ALL BARS IN THIS DRAWING  
 ASTM A615 GRADE 60  
 BLACK UNCOATED**

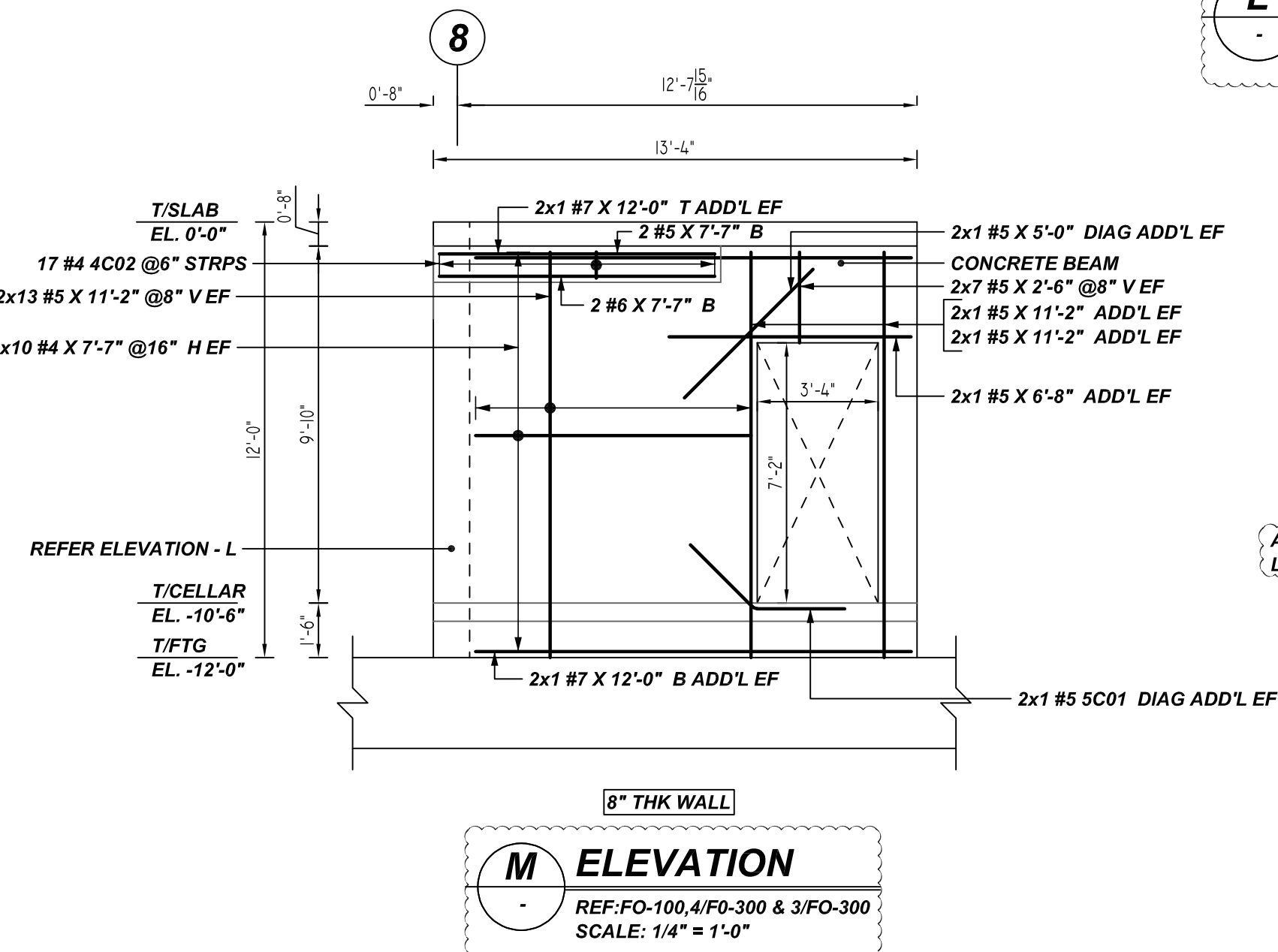
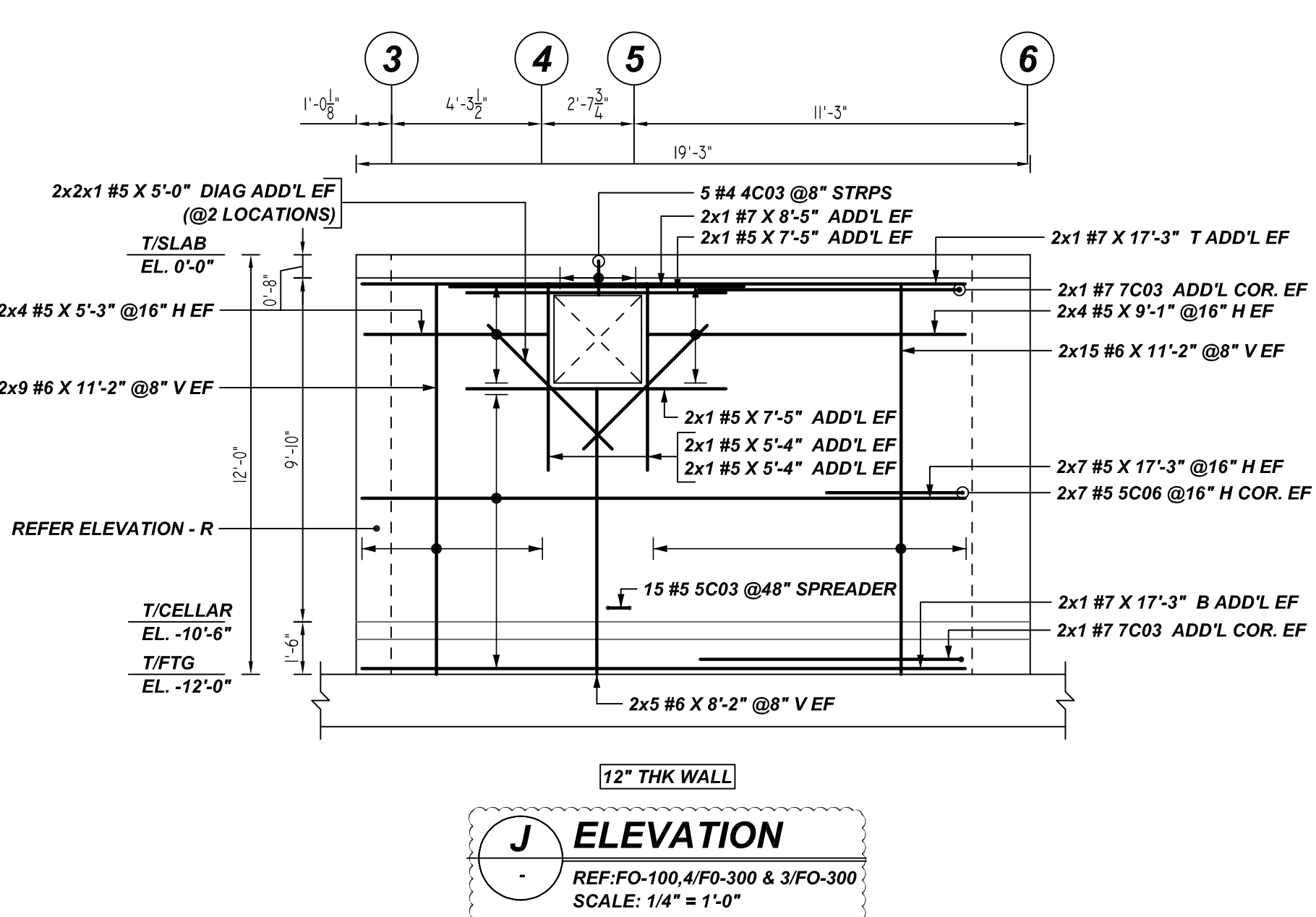
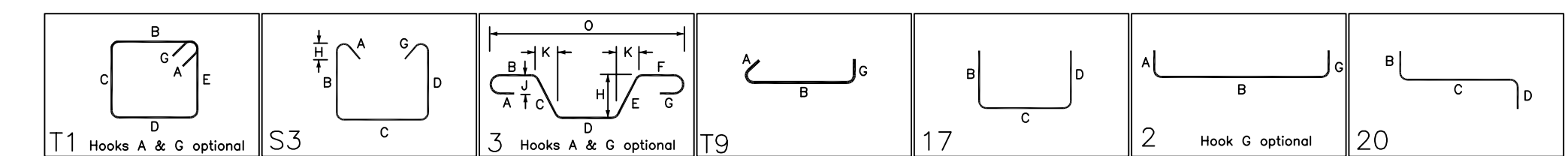
FOR APPROVAL

GRADE	A615/60 (UNO)		
PREFIX	C		
BAR LIST NOS.	--		
REV	DESCRIPTION	ISSUED DATE	ISSUED FOR
1	IFA	07/22/2022	APPROVAL
STRUCTURE FLOOR	FOUNDATION WALL REINFORCEMENT DETAILS		
FOUNDATION TO 1ST FLOOR			
JOB NO.	--		
CUSTOMER	LEGACY CONTRACTORS NYC		
JOB	92-54 QUEENS BOULEVARD		
LOCATION	QUEENS, NY, 11374		
DRAWN	DATE	CONTROL CODE	DWG. NO.
MRS	07/22/2022	--	R10



Release Number: R11

Bar Mark	Qty	Size	Total Length	Type	X	Y	Z	U	V	W	X	Y	Z	U	V	W	X	Y	Z		
4002	17	#4	3'-11"	11	0'-4 1/2"	0'-5"	0'-9"	0'-9"	0'-9"	0'-4 1/2"	0'-5"	0'-9"	0'-9"	0'-4 1/2"	0'-5"	0'-9"	0'-9"	0'-4 1/2"	0'-5"	0'-9"	
4003	3	#4	3'-11"	3	0'-4 1/2"	0'-5"	1'-0"	0'-9"	0'-9"	0'-4 1/2"	0'-5"	0'-9"	0'-9"	0'-4 1/2"	0'-5"	0'-9"	0'-9"	0'-4 1/2"	0'-5"	0'-9"	
5001	2	#5	4'-11 1/2"	3	2'-5"	2'-5"	2'-5"	2'-5"	2'-5"	2'-5"	2'-5"	2'-5"	2'-5"	2'-5"	2'-5"	2'-5"	2'-5"	2'-5"	2'-5"	2'-5"	
5003	5	#5	1'-7 1/2"	19	0'-5 1/2"	0'-6"	0'-6"	0'-6"	0'-6"	0'-5 1/2"	0'-6"	0'-6"	0'-6"	0'-5 1/2"	0'-6"	0'-6"	0'-6"	0'-5 1/2"	0'-6"	0'-6"	
5004	33	#5	6'-2 1/2"	17	3'-1"	3'-1"	3'-1"	3'-1"	3'-1"	3'-1"	3'-1"	3'-1"	3'-1"	3'-1"	3'-1"	3'-1"	3'-1"	3'-1"	3'-1"	3'-1"	
5006	92	#5	4'-9"	2	0'-10"	3'-11"	3'-11"	3'-11"	3'-11"	0'-10"	3'-11"	3'-11"	3'-11"	0'-10"	3'-11"	3'-11"	3'-11"	0'-10"	3'-11"	3'-11"	
5007	24	#5	13'-7"	20	7'-5"	1'-1"	5'-1"	5'-1"	5'-1"	7'-5"	1'-1"	5'-1"	5'-1"	7'-5"	1'-1"	5'-1"	5'-1"	7'-5"	1'-1"	5'-1"	
5008	20	#5	7'-10 1/2"	17	3'-11"	3'-11"	3'-11"	3'-11"	3'-11"	3'-11"	3'-11"	3'-11"	3'-11"	3'-11"	3'-11"	3'-11"	3'-11"	3'-11"	3'-11"	3'-11"	
5009	27	#5	2'-1 1/2"	19	0'-5 1/2"	1'-2"	1'-2"	1'-2"	1'-2"	0'-5 1/2"	1'-2"	1'-2"	1'-2"	0'-5 1/2"	1'-2"	1'-2"	1'-2"	0'-5 1/2"	1'-2"	1'-2"	
7003	14	#7	4'-8"	2	1'-2"	7'-5"	7'-5"	7'-5"	7'-5"	1'-2"	7'-5"	7'-5"	7'-5"	1'-2"	7'-5"	7'-5"	7'-5"	1'-2"	7'-5"	7'-5"	
7004	4	#7	13'-7"	20	7'-5"	1'-1"	5'-1"	5'-1"	5'-1"	7'-5"	1'-1"	5'-1"	5'-1"	7'-5"	1'-1"	5'-1"	5'-1"	7'-5"	1'-1"	5'-1"	
7005	4	#7	15'-0"	17	7'-6"	7'-6"	7'-6"	7'-6"	7'-6"	7'-6"	7'-6"	7'-6"	7'-6"	7'-6"	7'-6"	7'-6"	7'-6"	7'-6"	7'-6"	7'-6"	7'-6"
7006	4	#7	6'-11 1/2"	2	1'-2"	5'-9"	5'-9"	5'-9"	5'-9"	1'-2"	5'-9"	5'-9"	5'-9"	1'-2"	5'-9"	5'-9"	5'-9"	1'-2"	5'-9"	5'-9"	



A/E PLEASE VERIFY LAP VALUE

**LAP SCHEDULE**  
5000 PSI (CLASS-B) CASE - 1  
Per ACI 318 (12.2.2)

BAR#	LENGTHS	
	TOP	OTHERS
#3	1'-9"	1'-9"
#4	2'-6"	2'-0"
#5	3'-11"	3'-1"
#6	5'-7"	4'-3"
#7	7'-6"	5'-9"
#8	9'-11"	7'-7"
#9	12'-6"	9'-8"
#10	15'-10"	12'-2"
#11	19'-5"	15'-0"

ALL TOP BARS ARE DEFINED AS HORIZ BARS WITH MORE THAN 12" OF CONCRETE BELOW BARS.

A/E PLEASE VERIFY COVER VALUE

**TYPICAL REINFORCING BAR CLEARANCE TABLE**

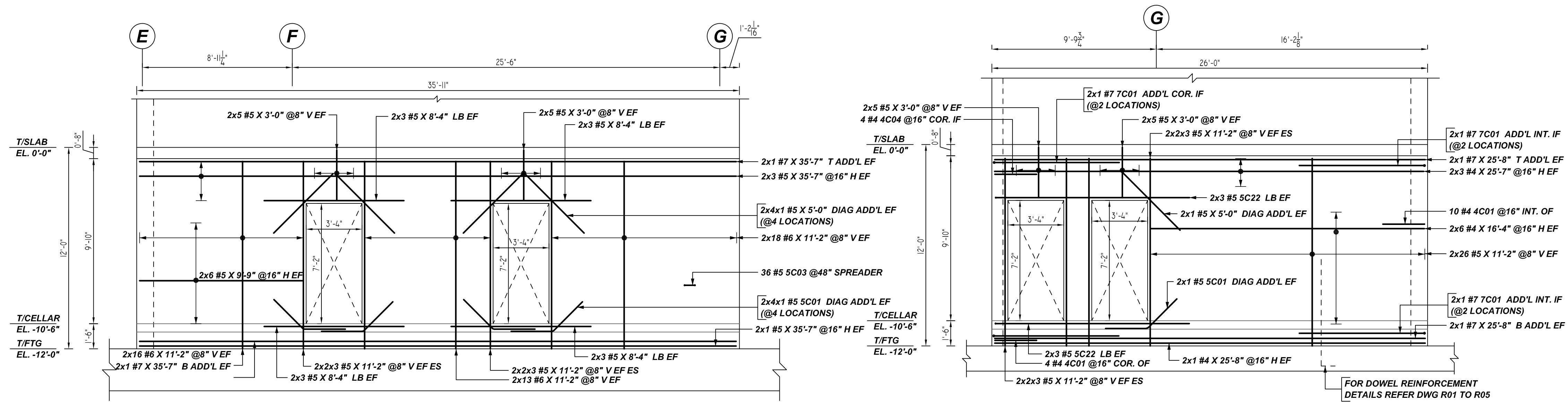
LOCATION	MIN. COVER
WALL TOP & SIDE	2" CLR

**ALL BARS IN THIS DRAWING  
ASTM A615 GRADE 60  
BLACK UNCOATED**

**FOR APPROVAL**

GRADE	A615/60 (UNO)		
PREFIX	C		
BAR LIST NOS.	---		
REV	DESCRIPTION	ISSUED DATE	ISSUED FOR
1	IFA	07/22/2022	APPROVAL
STRUCTURE	FOUNDATION WALL REINFORCEMENT DETAILS		
FLOOR	FOUNDATION TO 1ST FLOOR		
JOB NO	---		
CUSTOMER	LEGACY CONTRACTORS NYC		
JOB	92-54 QUEENS BOULEVARD		
LOCATION	QUEENS, NY, 11374		
DRAWN	DATE	CONTROL CODE	DWG. NO.
MRS	07/22/2022	-	R11

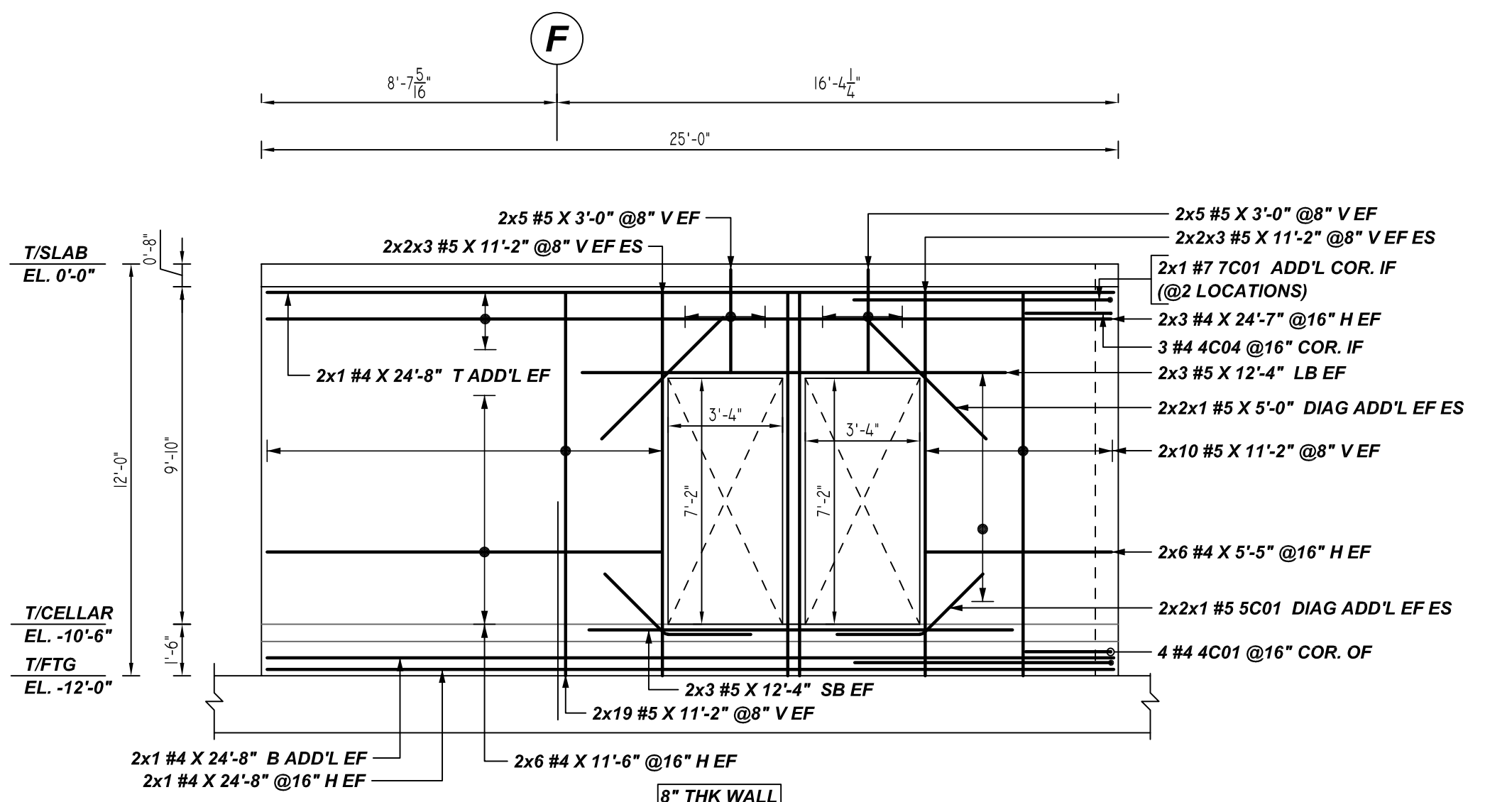




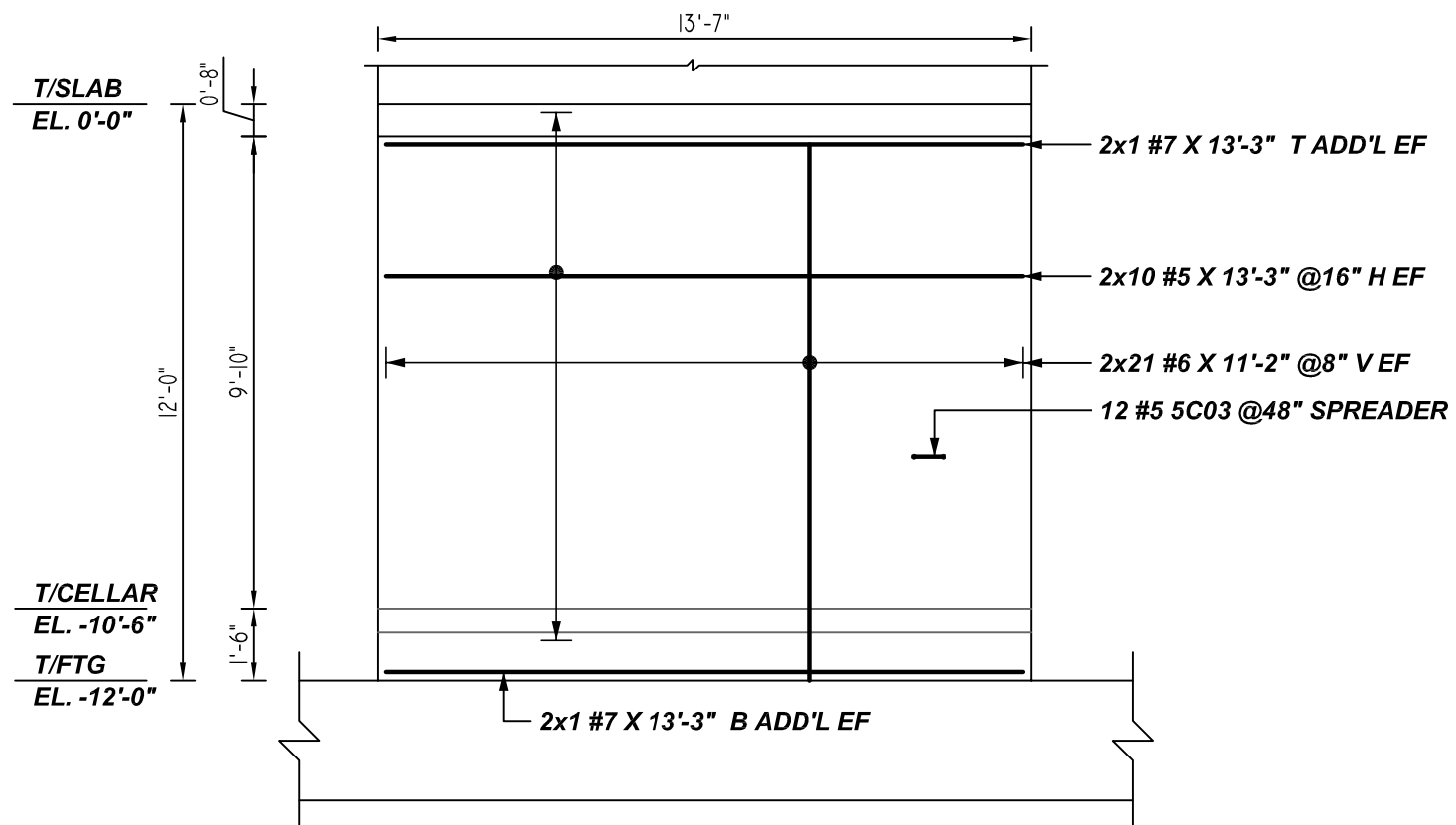
**N ELEVATION**  
REF:FO-100,4/FO-300 & 3/FO-300  
SCALE: 1/4" = 1'-0"

A/E PLEASE VERIFY WALL PROFILE & BAR ARRANGEMENT (TYP.)

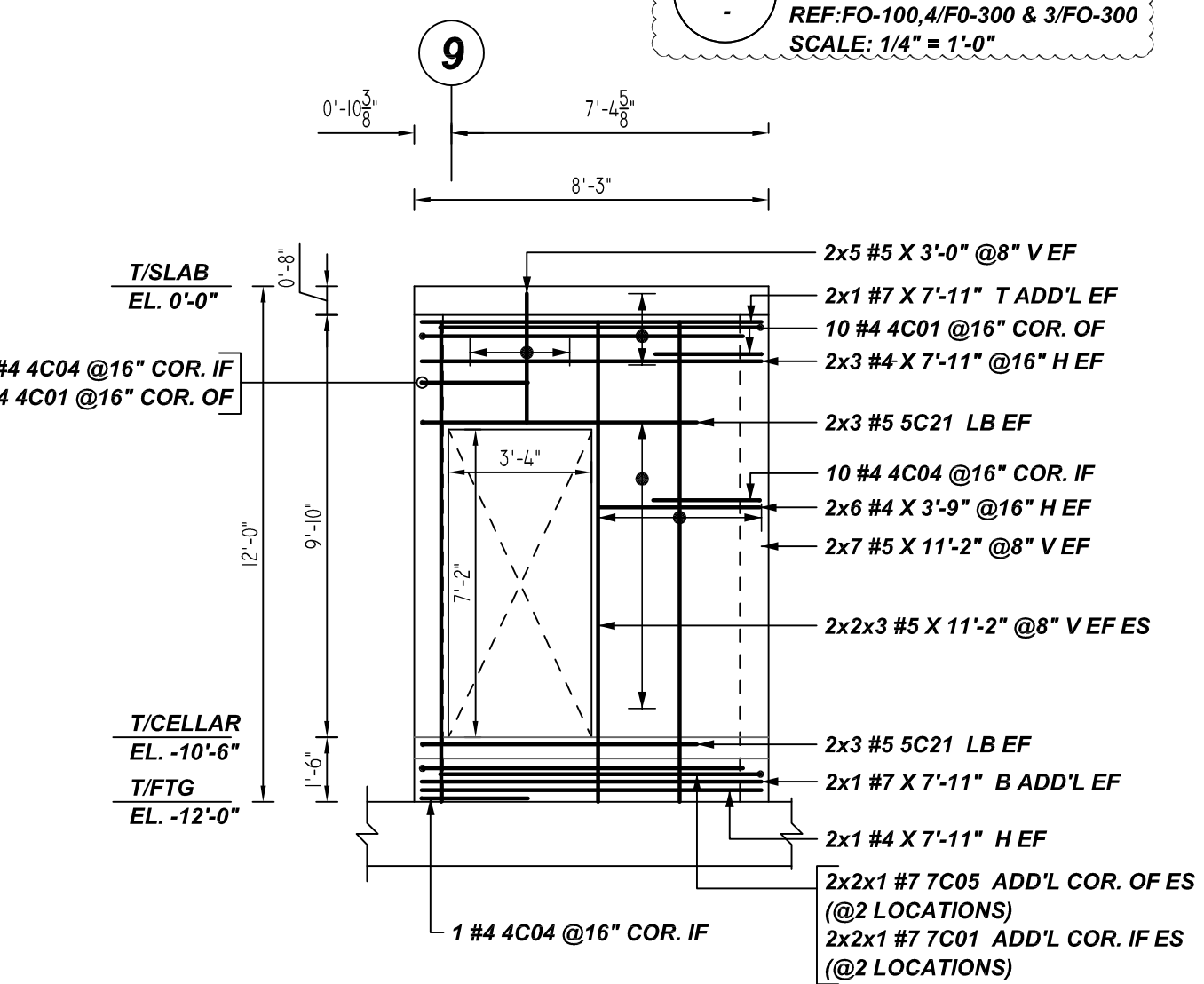
**R ELEVATION**  
REF:FO-100,4/FO-300 & 3/FO-300  
SCALE: 1/4" = 1'-0"



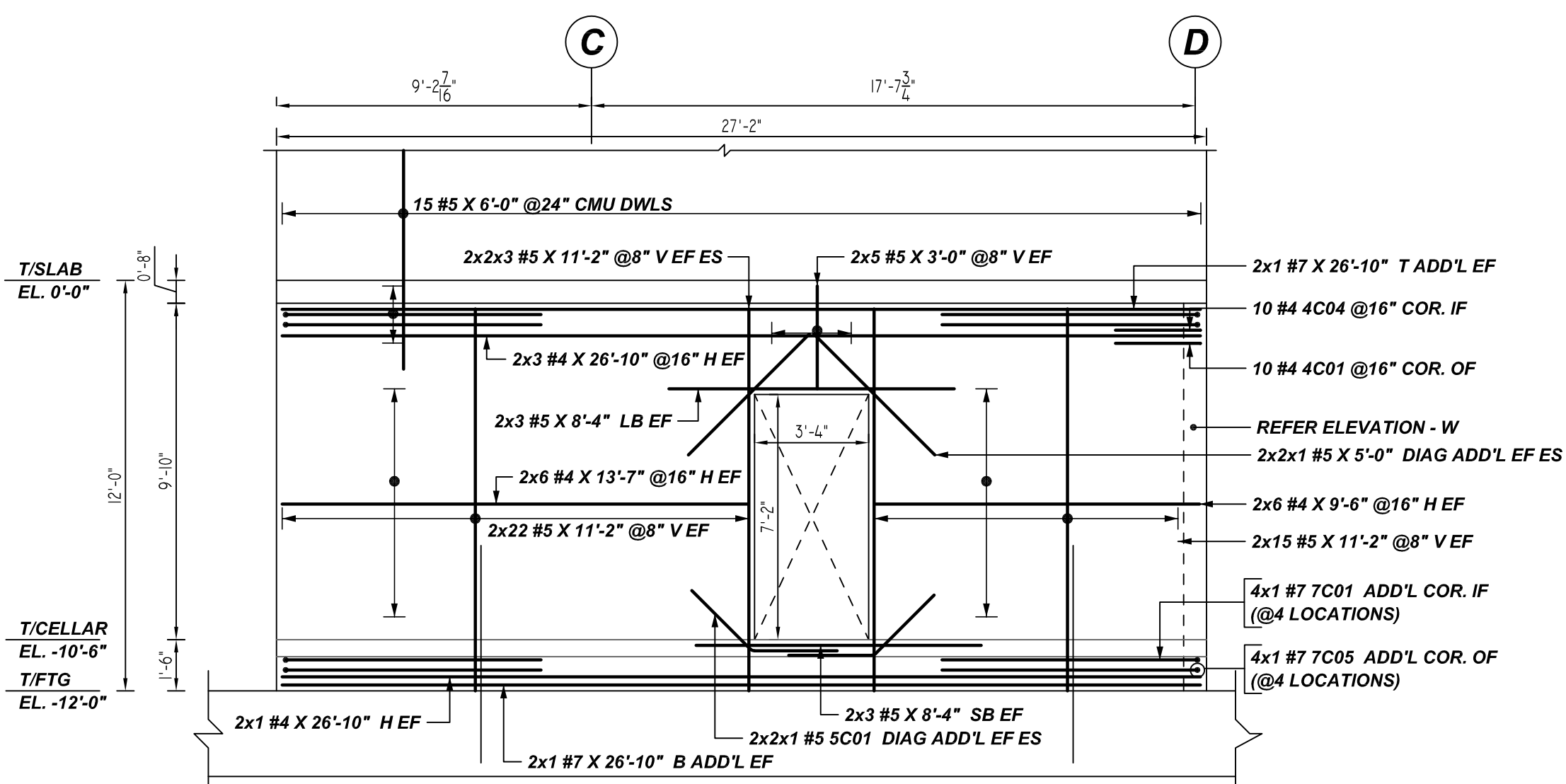
**P ELEVATION**  
REF:FO-100,4/FO-300 & 3/FO-300  
SCALE: 1/4" = 1'-0"



**S ELEVATION**  
REF:FO-100,4/FO-300 & 3/FO-300  
SCALE: 1/4" = 1'-0"



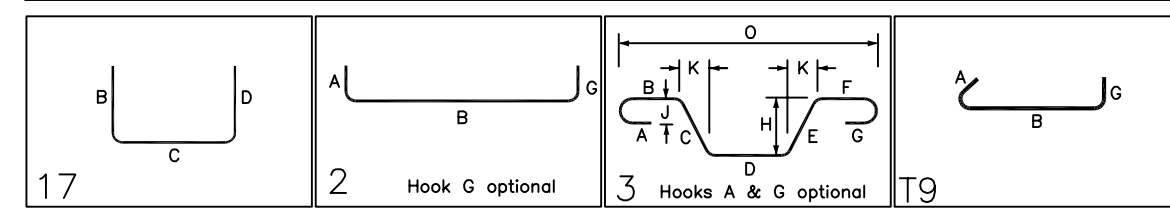
**Q ELEVATION**  
REF:FO-100,4/FO-300 & 3/FO-300  
SCALE: 1/4" = 1'-0"



**T ELEVATION**  
REF:FO-100,4/FO-300 & 3/FO-300  
SCALE: 1/4" = 1'-0"

Release Number: R12

Bar Mark	Qty	Size	Total Length	Type	X	Y	Z	W	V	U	T	S	R	Q	P	O	N	M	L	K	J	I	H	G	F	E	D	C	B	A	
4001	41	#4	5'-0"	17																											
4004	31	#4	3'-2"	2	0'-8"	2'-6"	2'-6"																								
5001	18	#5	4'-11 1/2"	3	0'-8"	2'-6"	2'-6"																								
5003	48	#5	1'-3 1/2"	19	0'-5 1/2"	0'-8"																									
5021	12	#5	7'-3"	2	0'-10"	6'-5"																									
5022	12	#5	12'-5"	2	0'-10"	11'-7"																									
7001	16	#7	8'-2"	2	0'-8"	7'-6"																									
7005	8	#7	15'-0"	17			7'-6"																								



**LAP SCHEDULE**

5000 PSI (CLASS-B) CASE-1  
Per ACI-318 (12.2.2)

BAR#	LENGTHS	
	TOP	OTHERS
#3	1'-9"	1'-9"
#4	2'-6"	2'-0"
#5	3'-11"	3'-1"
#6	5'-7"	4'-3"
#7	7'-6"	5'-9"
#8	9'-11"	7'-7"
#9	12'-6"	9'-8"
#10	15'-10"	12'-2"
#11	19'-5"	15'-0"

ALL TOP BARS ARE DEFINED AS HORIZ BARS WITH MORE THAN 12" OF CONCRETE BELOW BARS.

A/E PLEASE VERIFY LAP VALUE

TYPICAL REINFORCING BAR CLEARANCE TABLE

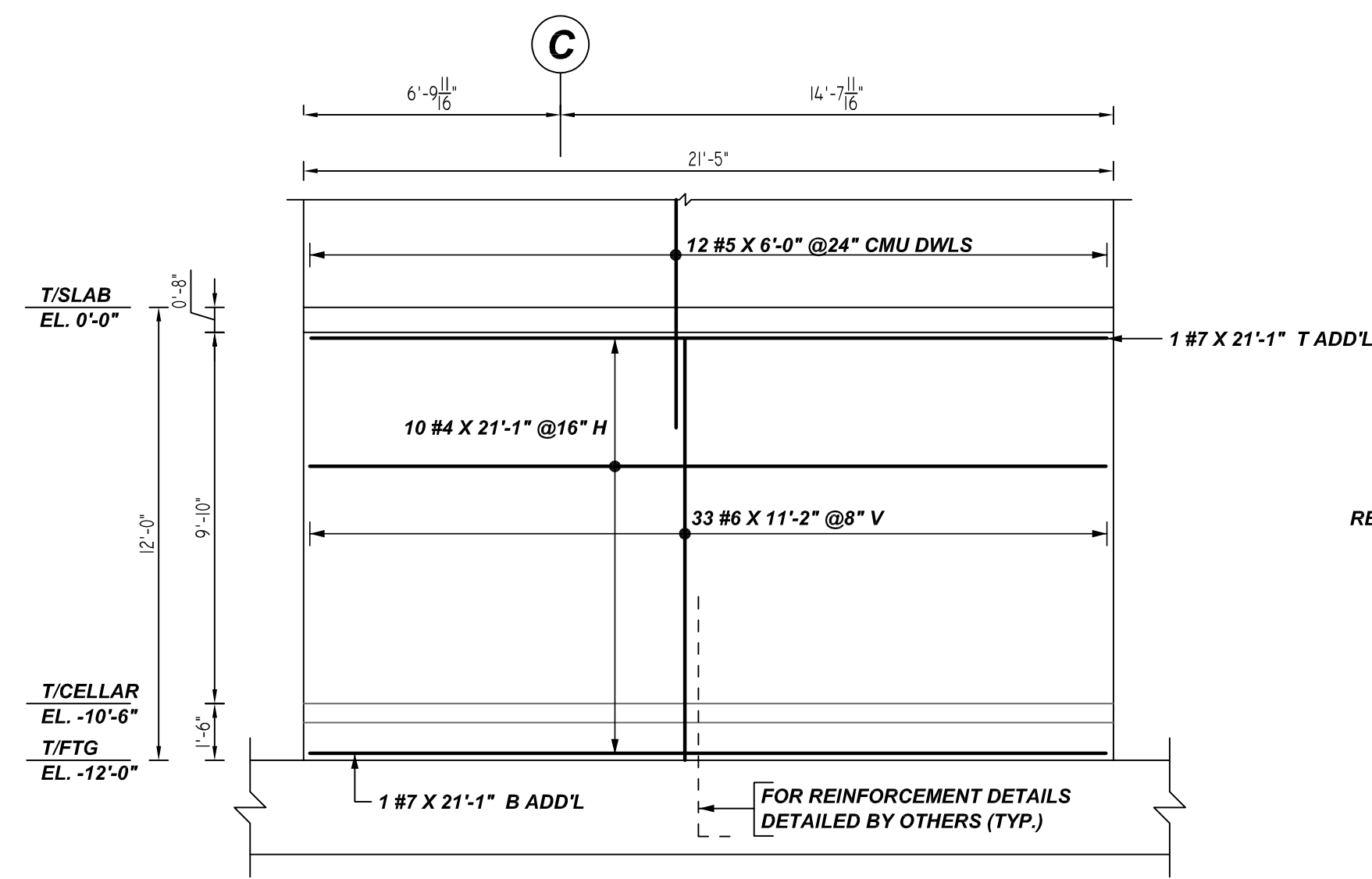
LOCATION	MIN. COVER
WALL TOP & SIDE	2" CLR

A/E PLEASE VERIFY COVER VALUE

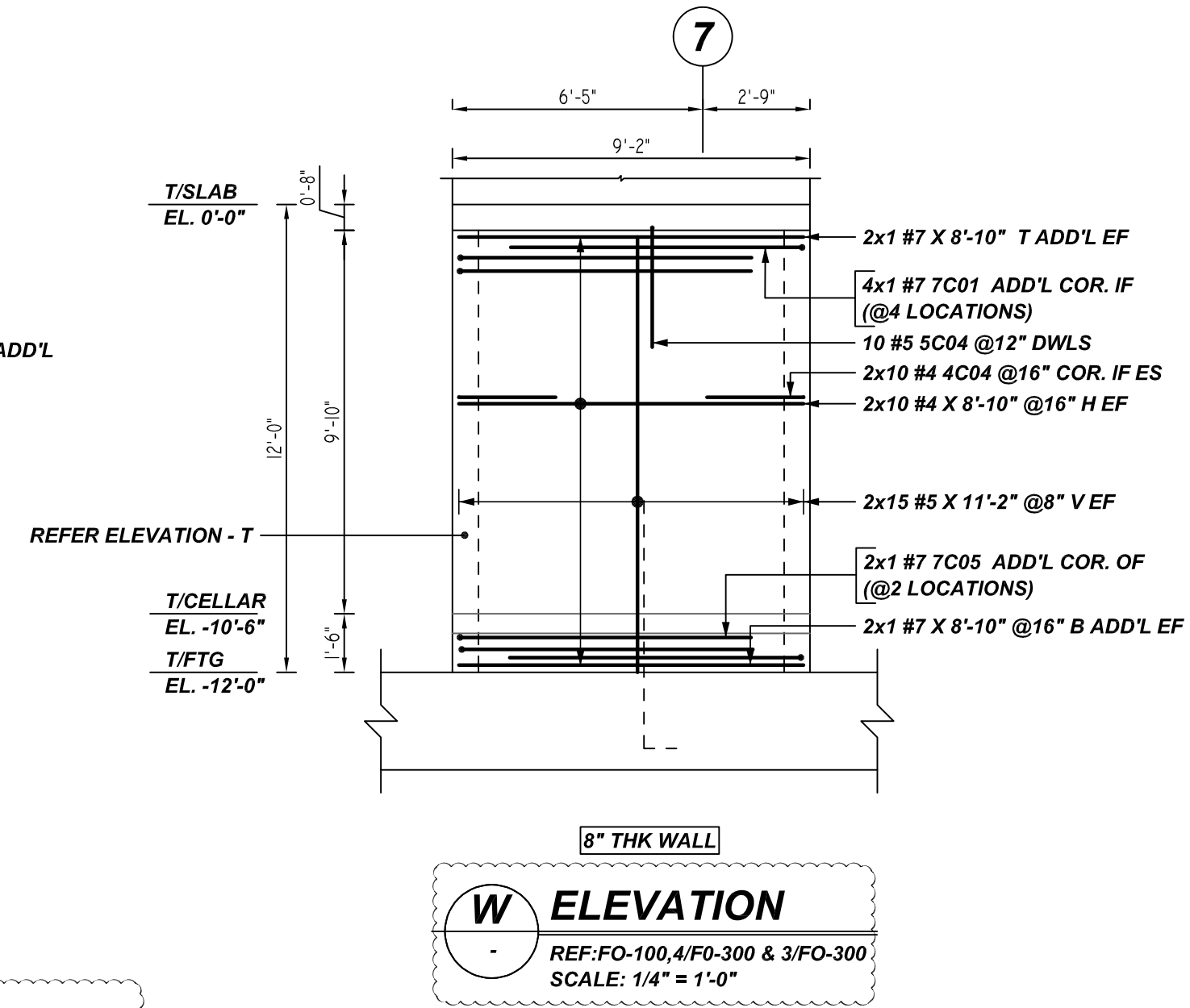
FOR APPROVAL

GRADE	A615/60 (UNO)		
PREFIX	C		
BAR LIST NOS.	---		
REV	DESCRIPTION	ISSUED DATE	ISSUED FOR
1	IFA	07/22/2022	APPROVAL
STRUCTURE	FOUNDATION WALL REINFORCEMENT DETAILS		
FLOOR	FOUNDATION TO 1ST FLOOR		
JOB NO	---		
CUSTOMER	LEGACY CONTRACTORS NYC		
JOB	92-54 QUEENS BOULEVARD		
LOCATION	QUEENS, NY, 11374		
DRAWN	DATE	CONTROL CODE	DWG. NO.
MRS	07/22/2022	-	R12

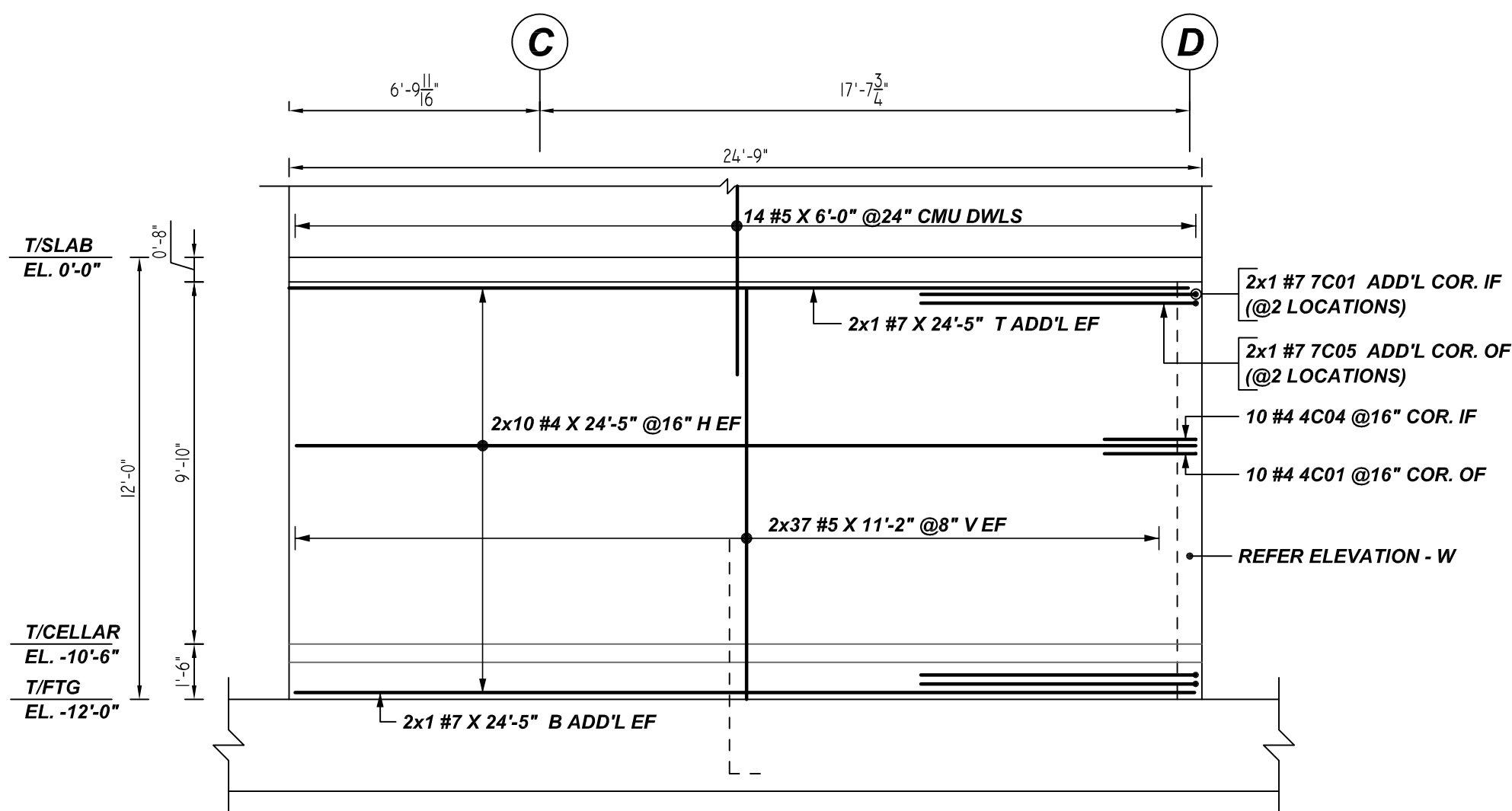
**ALL BARS IN THIS DRAWING  
ASTM A615 GRADE 60  
BLACK UNCOATED**



**U ELEVATION**  
 REF: FO-100, 4/FO-300 & 3/FO-300  
 SCALE: 1/4" = 1'-0"  
 A/E PLEASE VERIFY WALL PROFILE & BAR ARRANGEMENT (TYP.)



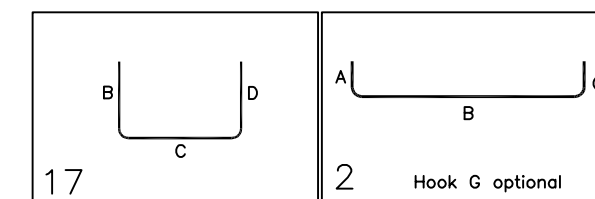
**W ELEVATION**  
 REF: FO-100, 4/FO-300 & 3/FO-300  
 SCALE: 1/4" = 1'-0"  
 8" THK WALL



**V ELEVATION**  
 REF: FO-100, 4/FO-300 & 3/FO-300  
 SCALE: 1/4" = 1'-0"  
 8" THK WALL

Release Number: R13

Bar Mark	Qty	Size	Total Length	Type	X	Y	Z	W	V	U	T	S	R	Q	P	O	N	M
4001	10	#4	3'-0"	17			2'-6"											
4004	30	#4	3'-2"	2	0'-8"		2'-6"											
5004	10	#5	6'-2"	17			3'-1"		3'-1"									
7001	6	#7	8'-2"	2	0'-8"		7'-8"											
7005	4	#7	15'-0"	17			7'-8"											



A/E PLEASE VERIFY LAP VALUE

**LAP SCHEDULE**

5000 PSI (CLASS-B) CASE - 1  
 Per ACI 318 (12.2.2)

BAR#	LENGTHS	
	TOP	OTHERS
#3	1'-9"	1'-9"
#4	2'-6"	2'-0"
#5	3'-11"	3'-1"
#6	5'-7"	4'-3"
#7	7'-6"	5'-9"
#8	9'-11"	7'-7"
#9	12'-6"	9'-8"
#10	15'-10"	12'-2"
#11	19'-5"	15'-0"

ALL TOP BARS ARE DEFINED AS HORIZ BARS WITH MORE THAN 12" OF CONCRETE BELOW BARS.

A/E PLEASE VERIFY COVER VALUE

**TYPICAL REINFORCING BAR CLEARANCE TABLE**

LOCATION	MIN. COVER
WALL TOP & SIDE	2" CLR

**ALL BARS IN THIS DRAWING  
 ASTM A615 GRADE 60  
 BLACK UNCOATED**

FOR APPROVAL

GRADE	A615/60 (UNO)		
PREFIX	C		
BAR LIST NOS.	-		
REV	DESCRIPTION	ISSUED DATE	ISSUED FOR
1	IFA	07/22/2022	APPROVAL
STRUCTURE	FOUNDATION WALL REINFORCEMENT DETAILS		
FLOOR	FOUNDATION TO 1ST FLOOR		
JOB NO	-		
CUSTOMER	LEGACY CONTRACTORS NYC		
JOB	92-54 QUEENS BOULEVARD		
LOCATION	QUEENS, NY, 11374		
DRAWN	DATE	CONTROL CODE	DWG. NO.
MRS	07/22/2022	-	R13