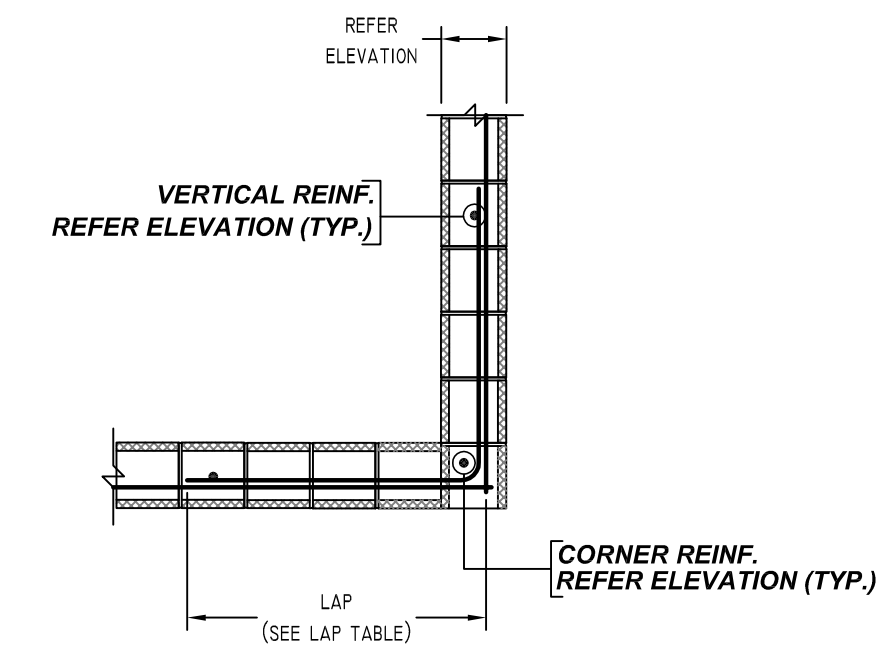
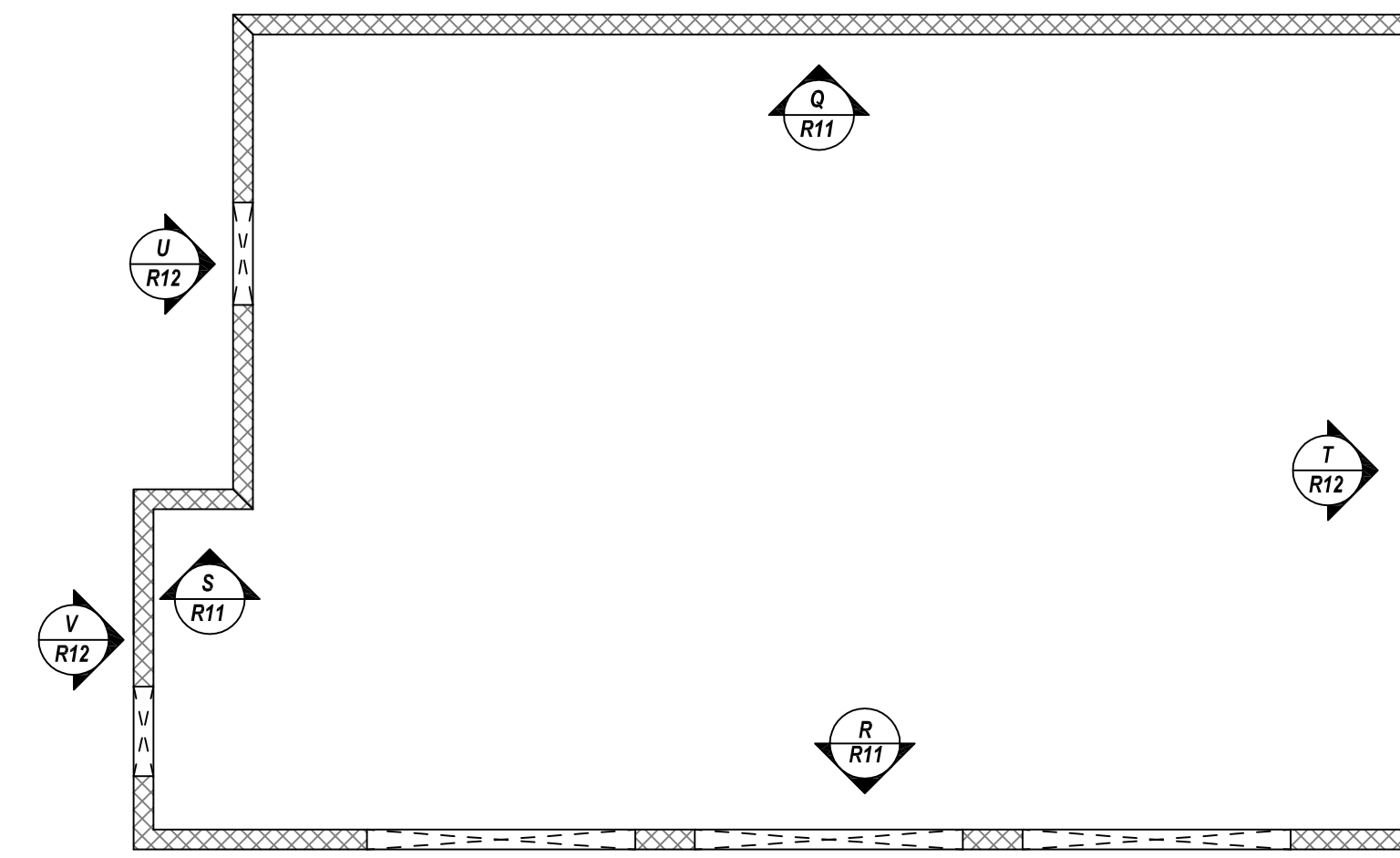
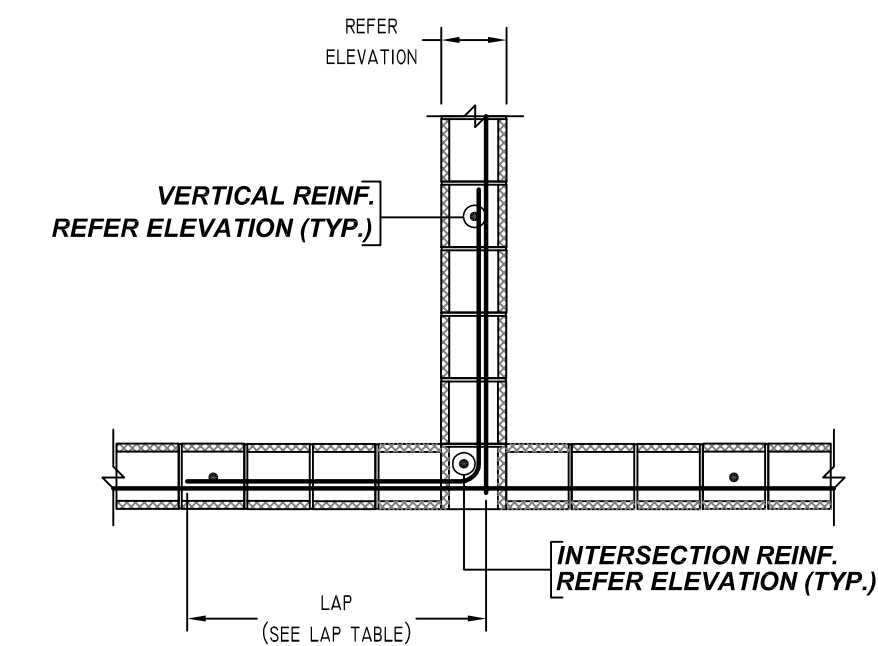


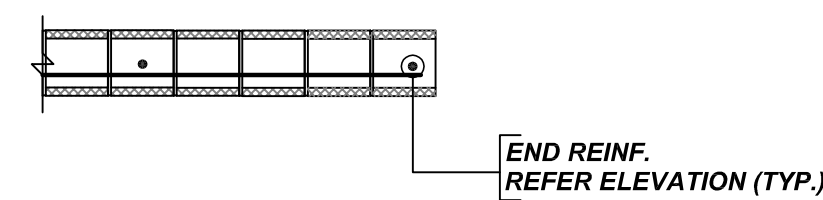
CMU WALL REINFORCEMENT DETAILS
 SCALE - 1/16"=1'-0"
 REF: S1.01 & S2.01



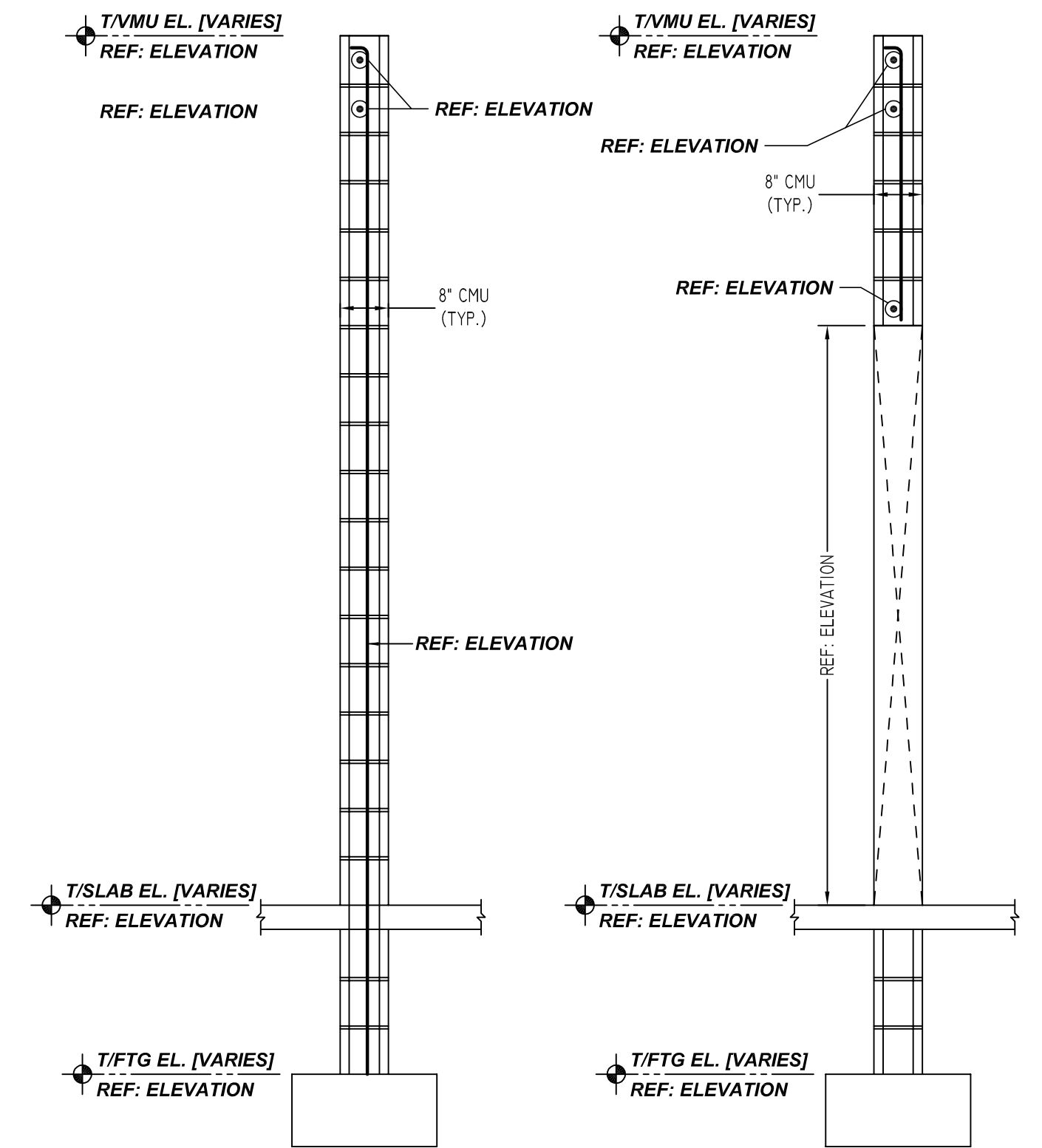
TYPICAL CMU WALL CORNER DETAIL
 SCALE - 1/2"=1'-0"



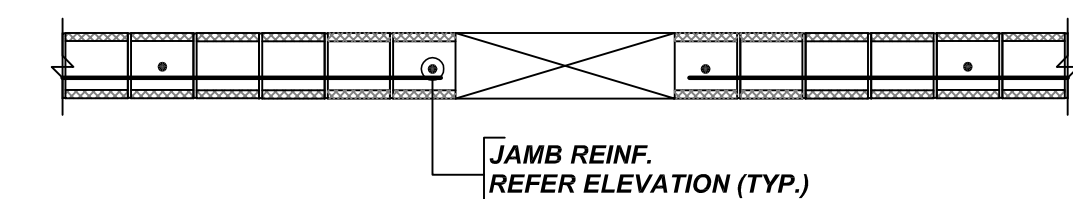
TYPICAL CMU WALL INTERSECTION DETAIL
 SCALE - 1/2"=1'-0"



TYPICAL CMU WALL END DETAIL
 SCALE - 1/2"=1'-0"

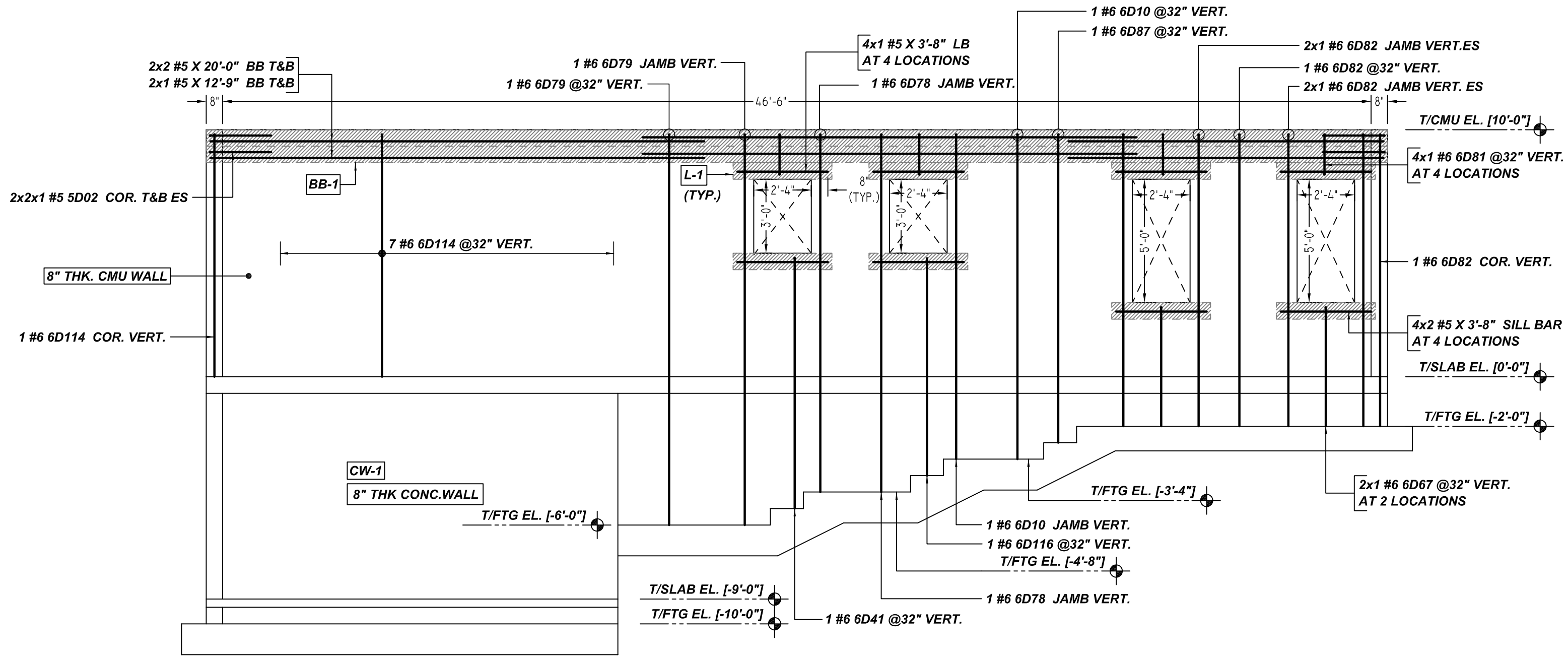


TYPICAL SECTION @ CMU WALL
 SCALE - 1/2"=1'-0"

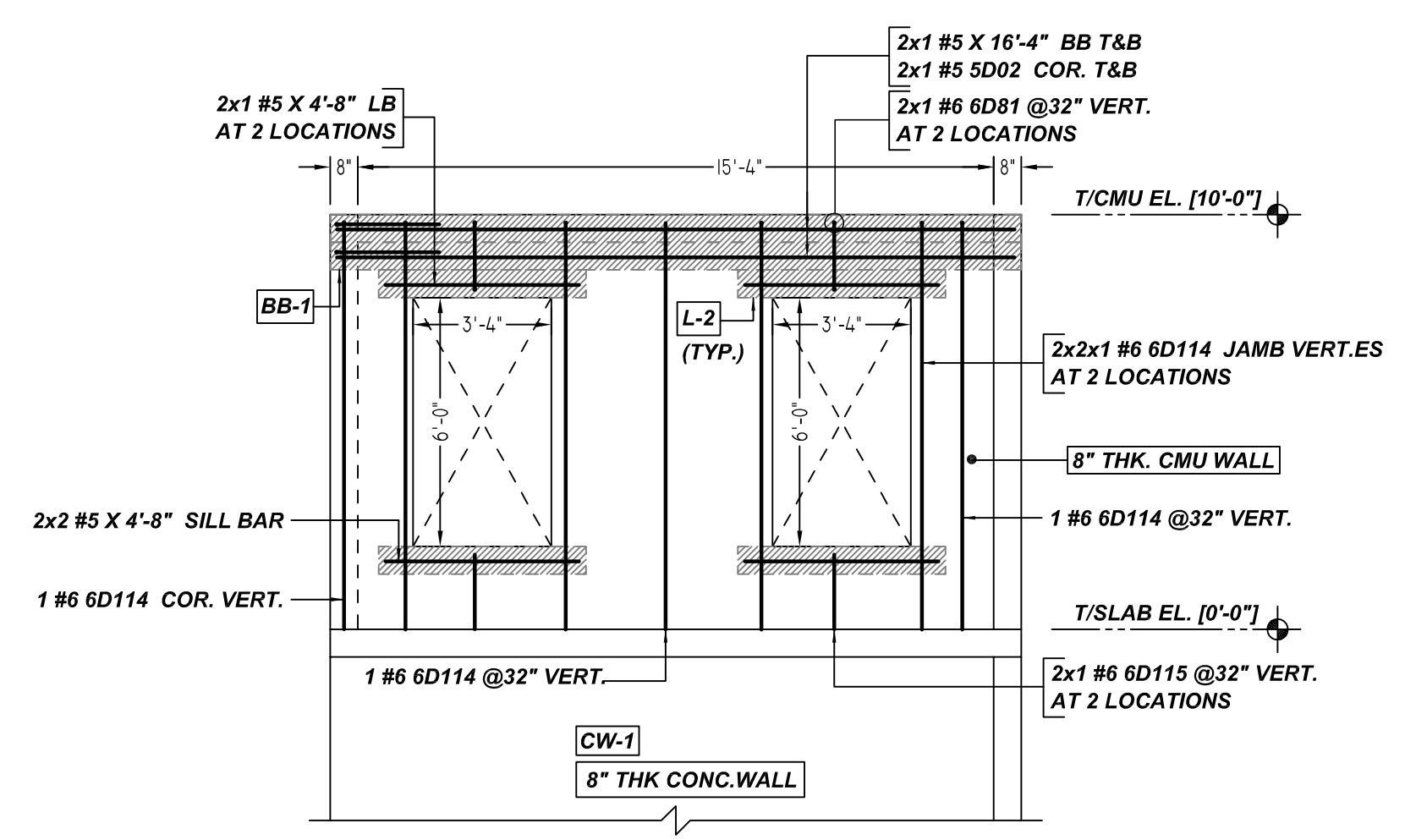


TYPICAL CMU WALL JAMB ADDITIONAL DETAIL
 SCALE - 1/2"=1'-0"

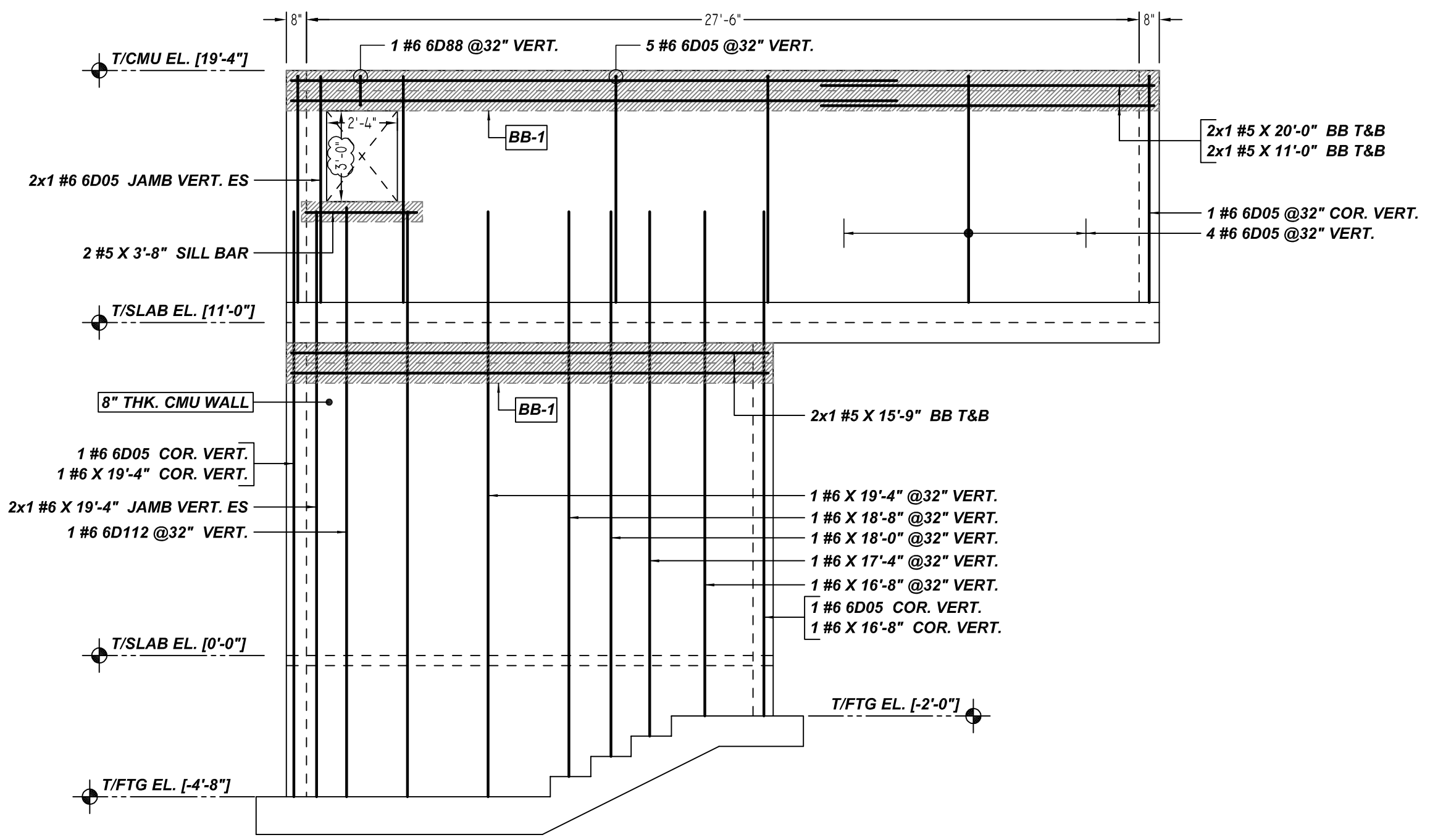
GRADE	60 A615				
PREFIX					
BAR LIST NOS.		PRINT RECORD			
		NO.	TO	FOR	DATE
MK	REVISION	DATE			
0	FOR APPROVAL	10/28/21			
CMU WALL REINFORCEMENT DETAILS					
CUSTOMER: MR. AND MRS. DARREN AND PAIGE RIOPELLE					
JOB: RIOPELLE RESIDENCE SEAWALL'S POINT					
LOCATION: 79 S RIVER ROAD SEAWALL'S POINT, FL 34996					
DRAWN	DATE	CONTROL CODE	DWG. NO.		
AND/MET	10/28/2021	-	R07		



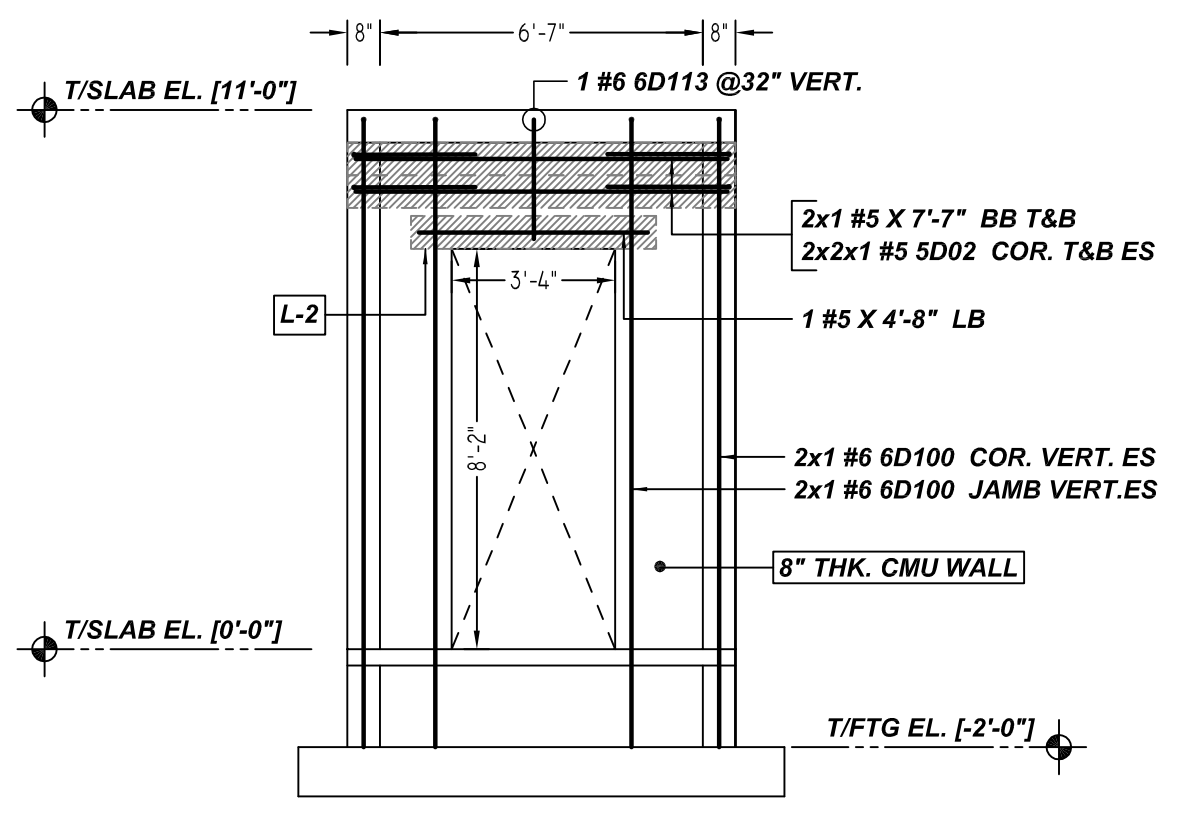
A ELEVATION
SCALE - 1/4"=1'-0"
REF:S-1.01



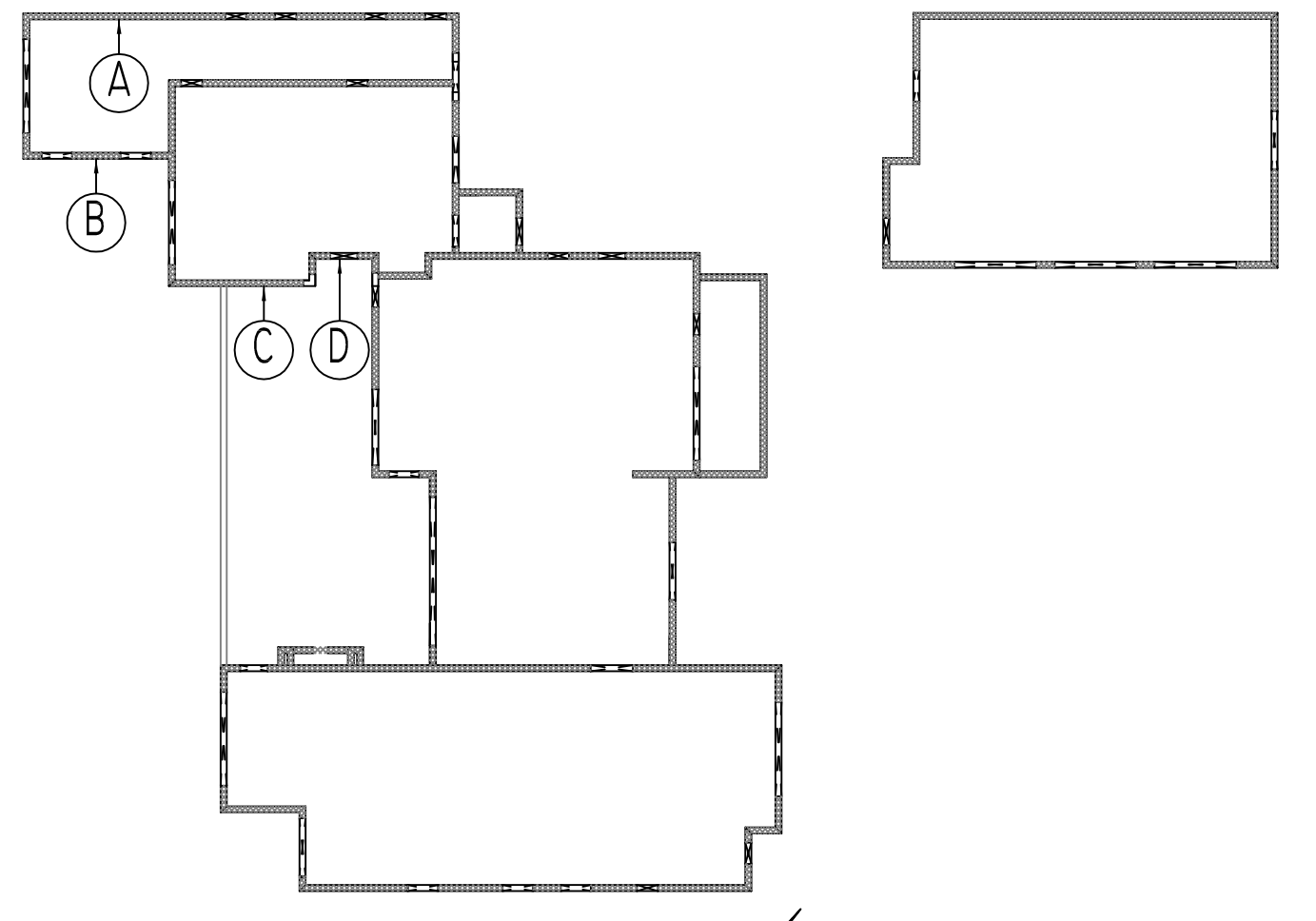
B ELEVATION
SCALE - 1/4"=1'-0"
REF:S-1.01



C ELEVATION
SCALE - 1/4"=1'-0"
REF:S-1.01



D ELEVATION
SCALE - 1/4"=1'-0"
REF:S-1.01

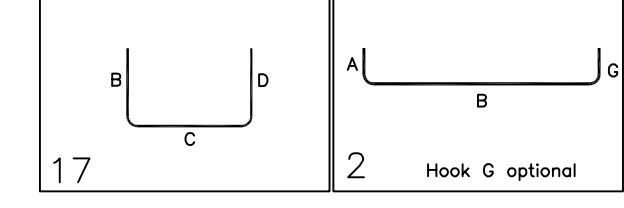


KEY PLAN
SCALE - N.T.S

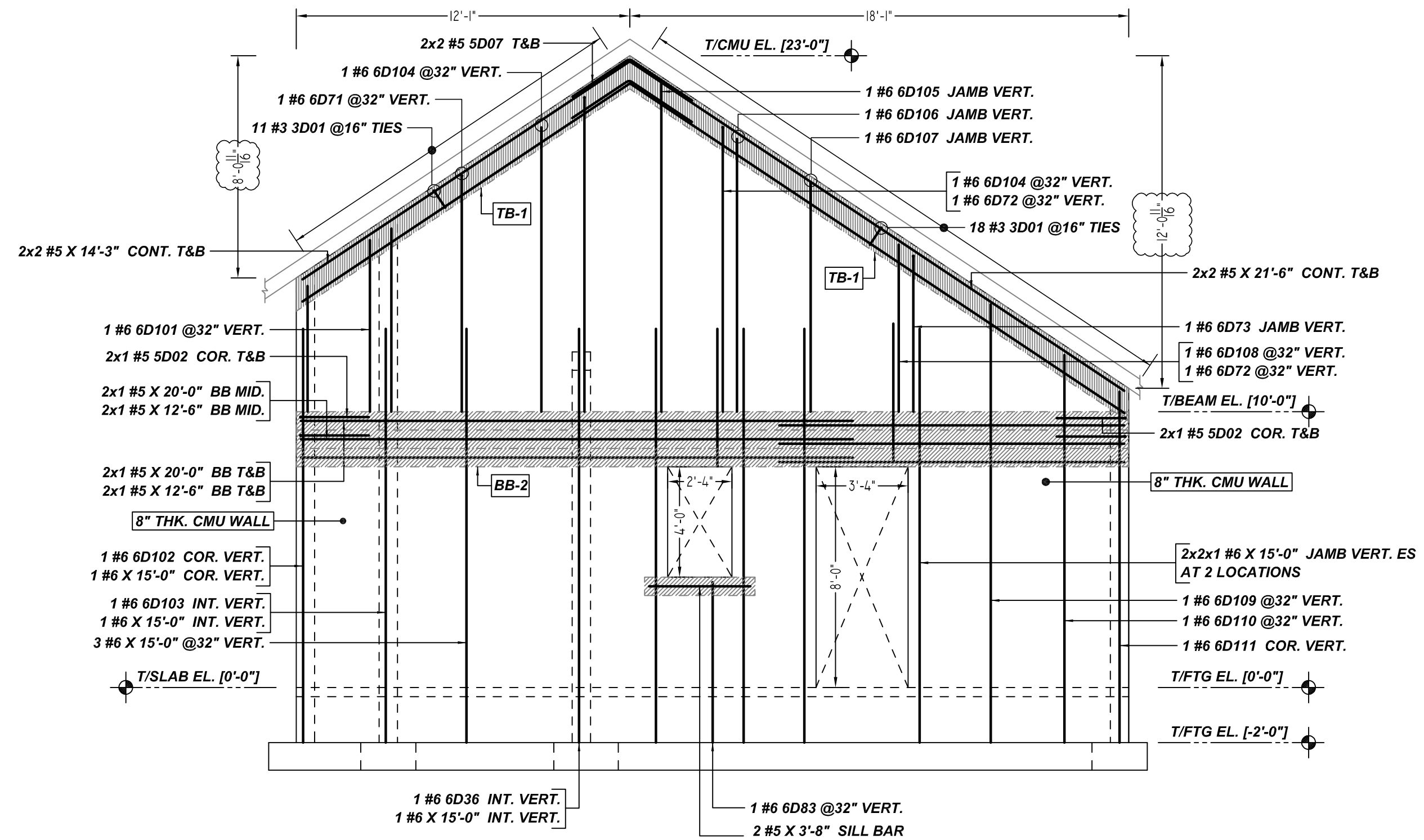
Bar Mark	Qty	Size	Total Length	Type	X	Y	Z	W	V	U	T	S	R	Q	P
5002	10	#5	5'-0"	17											
6005	14	#6	8'-6"	2	1'-0"	7'-6"									
6010	2	#6	14'-2"	2	1'-0"	13'-2"									
6041	1	#6	11'-2"	2	1'-0"	10'-2"									
6067	2	#6	5'-10"	2	1'-0"	4'-10"									
6078	2	#6	15'-6"	2	1'-0"	14'-6"									
6079	2	#6	16'-10"	2	1'-0"	15'-10"									
6081	6	#6	3'-8"	2	1'-0"	1'-8"				1'-0"					
6082	6	#6	12'-10"	2	1'-0"	11'-10"									
6087	1	#6	13'-6"	2	1'-0"	12'-6"									
6088	1	#6	3'-0"	2	1'-0"	1'-0"				1'-0"					
60100	4	#6	13'-10"	2	1'-0"	12'-10"									
60112	1	#6	20'-6"	2	1'-0"	19'-6"									
60113	1	#6	4'-6"	2	1'-0"	2'-6"				1'-0"					
60114	15	#6	10'-10"	2	1'-0"	9'-10"									
60115	2	#6	2'-10"	2	1'-0"	1'-10"									
60116	1	#6	9'-10"	2	1'-0"	8'-10"									

SIZE	48 Ø LAP
#3	18"
#4	24"
#5	30"
#6	36"
#7	42"
#8	48"
#9	55"
#10	61"
#11	68"

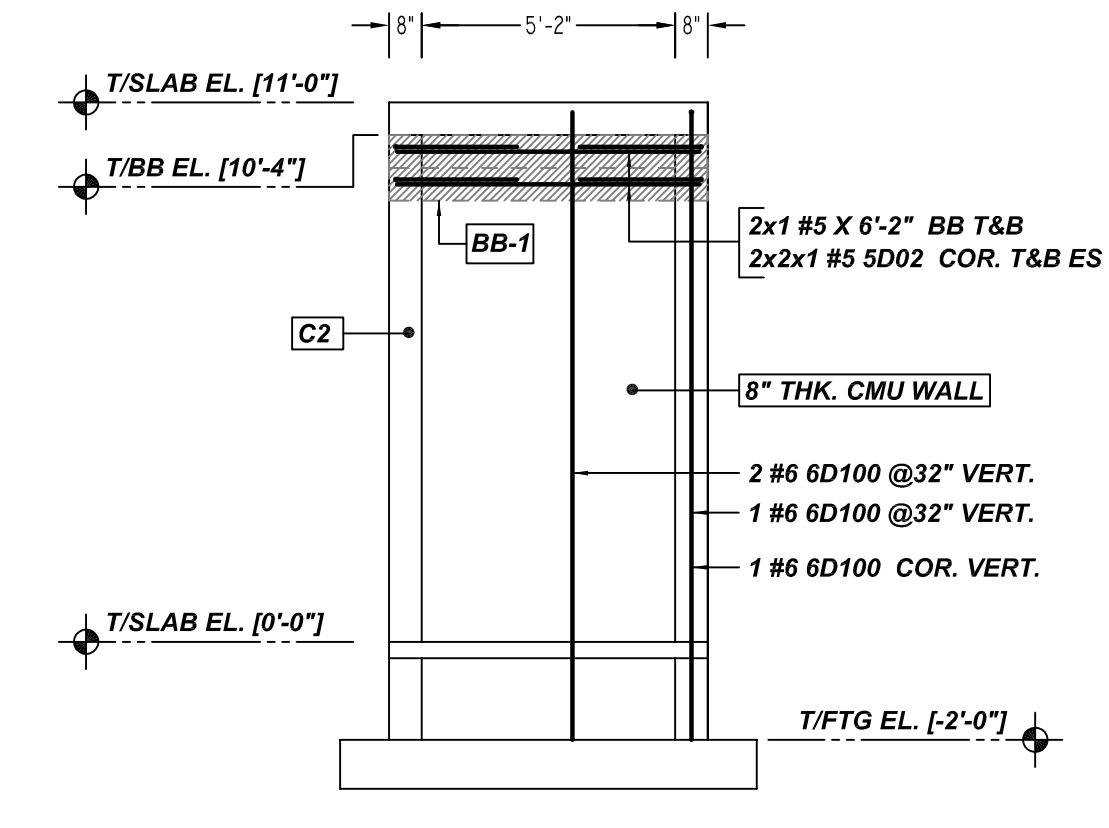
**ALL BARS IN THIS DRAWING
ASTM A615 GRADE 60
BLACK UNCOATED**



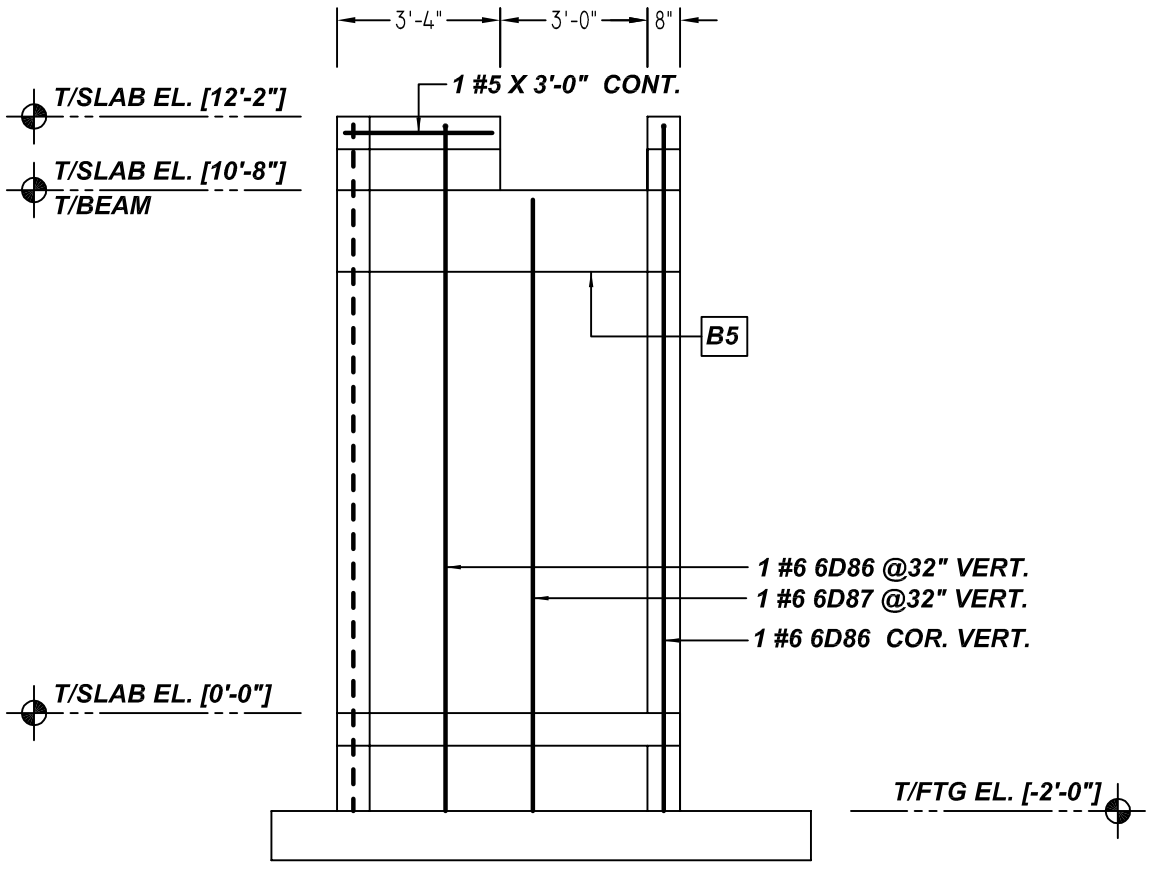
GRADE	60 A615	PRINT RECORD	
PREFIX		NO.	TO FOR DATE
BAR LIST NOS.			
MK	REVISION	DATE	
0	FOR APPROVAL	10/28/21	
CMU WALL REINFORCEMENT DETAILS			
CUSTOMER MR. AND MRS. DARREN AND PAIGE RIOPELLE			
JOB RIOPELLE RESIDENCE SEAWALL'S POINT			
LOCATION 79 S RIVER ROAD SEAWALL'S POINT, FL 34996			
DRAWN	DATE	CONTROL CODE	DWG. NO.
AND/MET	10/28/2021	-	R08



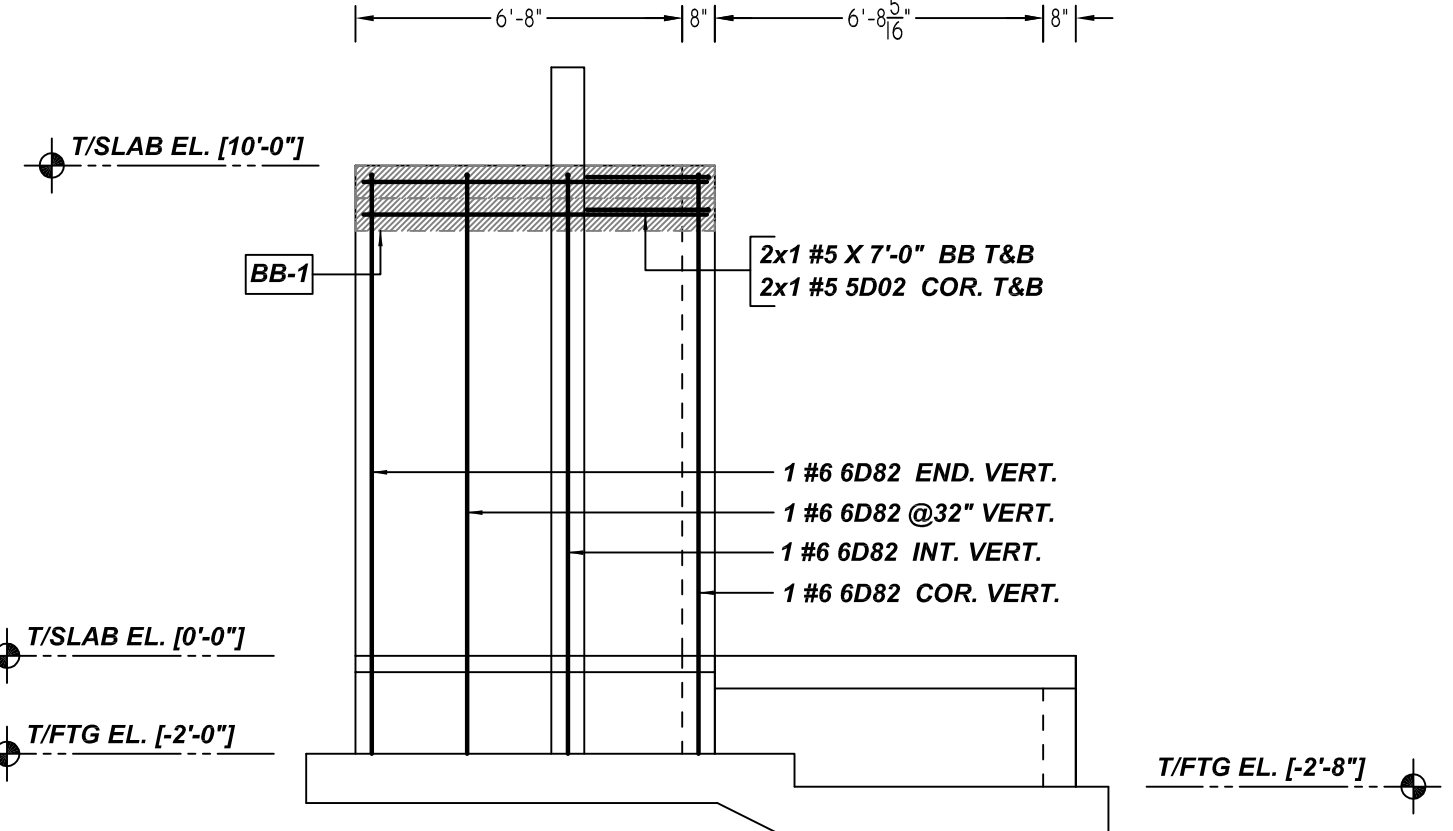
E ELEVATION
SCALE - 1/4"=1'-0"
REF:S-1.01



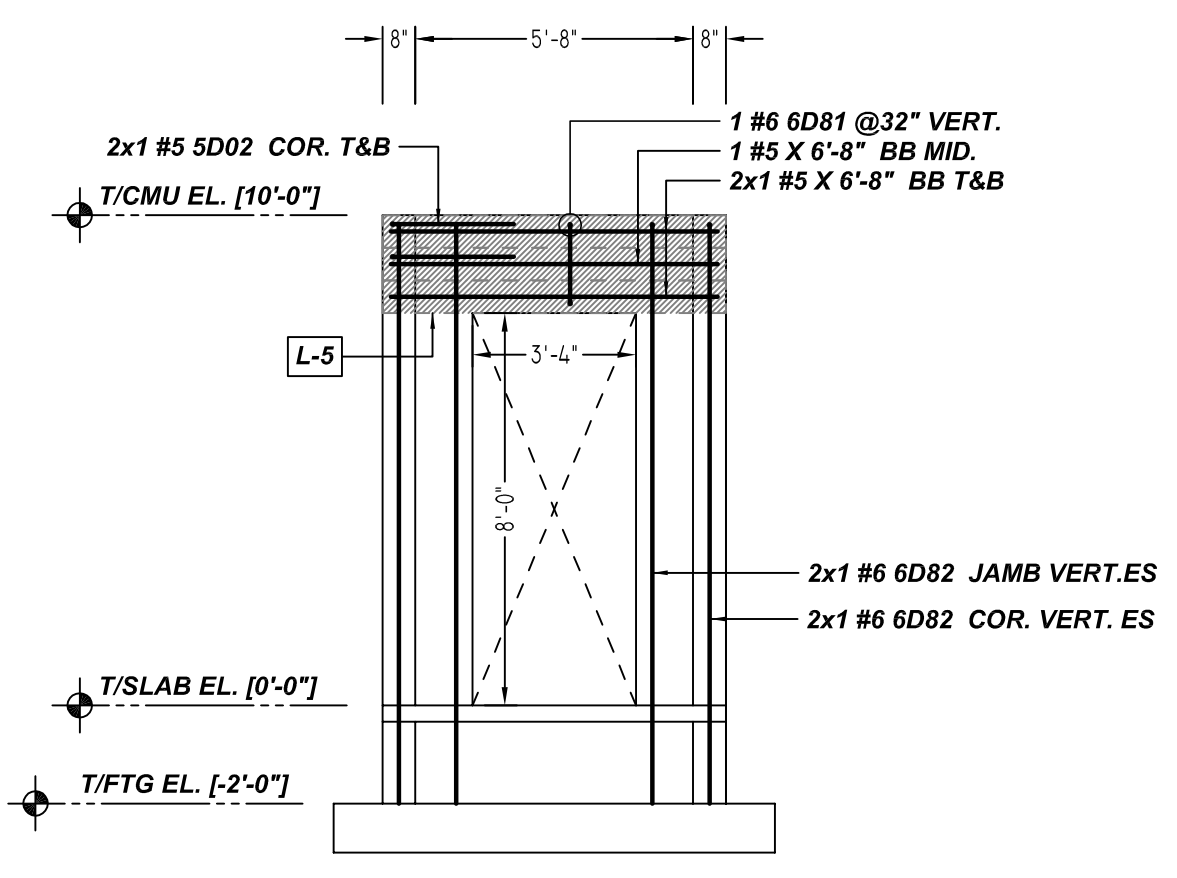
F ELEVATION
SCALE - 1/4"=1'-0"
REF:S-1.01



H ELEVATION
SCALE - 1/4"=1'-0"
REF:S-1.01

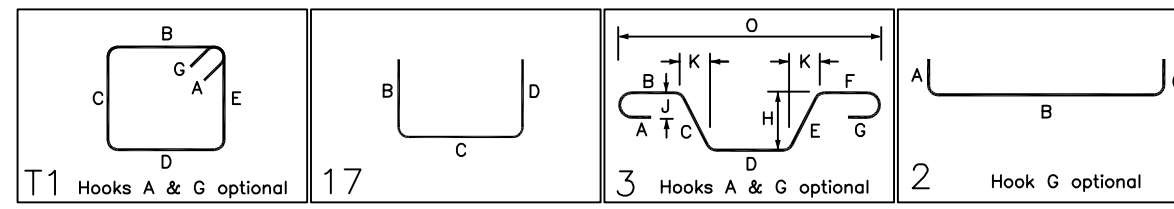


J ELEVATION
SCALE - 1/4"=1'-0"
REF:S-1.01



K ELEVATION
SCALE - 1/4"=1'-0"
REF:S-1.01

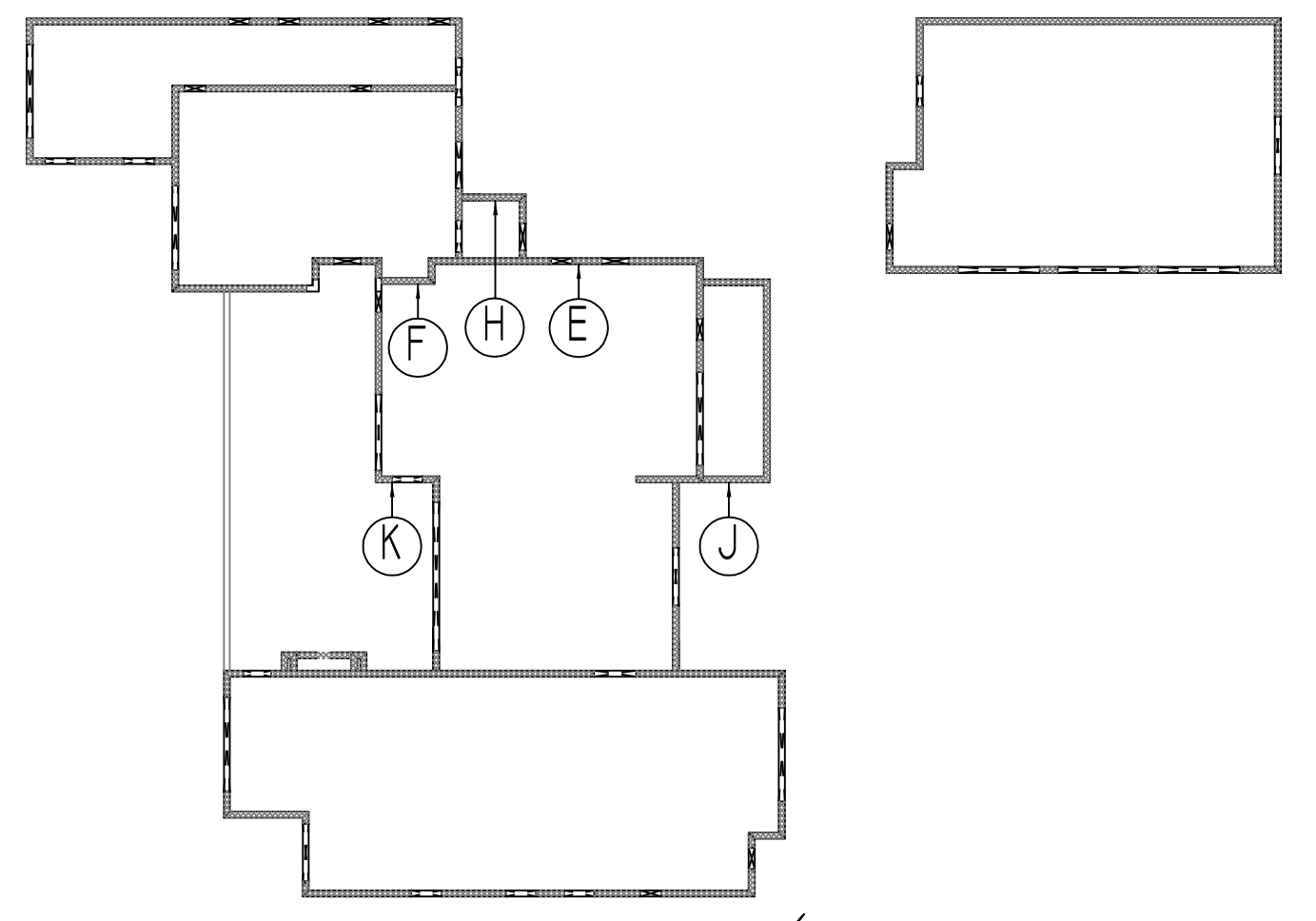
Bar Mark	Qty	Size	Total Length	Type	X	Y	Z	W	V	U	T	S	R	Q	P	O	N	M	L	K	J	I	H	G	F	E	D	C	B	A
3D01	28	#3	2'-0"	T1	0'-4"	0'-5"	0'-5"	0'-5"	0'-5"	0'-5"	0'-5"	0'-5"	0'-5"	0'-5"	0'-5"	0'-5"	0'-5"	0'-5"	0'-5"	0'-5"	0'-5"	0'-5"	0'-5"	0'-5"	0'-5"	0'-5"	0'-5"	0'-5"	0'-5"	0'-5"
5D02	12	#5	5'-0"	T1	0'-4"	0'-5"	0'-5"	0'-5"	0'-5"	0'-5"	0'-5"	0'-5"	0'-5"	0'-5"	0'-5"	0'-5"	0'-5"	0'-5"	0'-5"	0'-5"	0'-5"	0'-5"	0'-5"	0'-5"	0'-5"	0'-5"	0'-5"	0'-5"	0'-5"	0'-5"
5D07	4	#5	5'-2"	T1	0'-4"	0'-5"	0'-5"	0'-5"	0'-5"	0'-5"	0'-5"	0'-5"	0'-5"	0'-5"	0'-5"	0'-5"	0'-5"	0'-5"	0'-5"	0'-5"	0'-5"	0'-5"	0'-5"	0'-5"	0'-5"	0'-5"	0'-5"	0'-5"	0'-5"	0'-5"
6D71	1	#6	12'-5"	T1	0'-4"	0'-5"	0'-5"	0'-5"	0'-5"	0'-5"	0'-5"	0'-5"	0'-5"	0'-5"	0'-5"	0'-5"	0'-5"	0'-5"	0'-5"	0'-5"	0'-5"	0'-5"	0'-5"	0'-5"	0'-5"	0'-5"	0'-5"	0'-5"	0'-5"	0'-5"
6D72	2	#6	6'-7"	T1	0'-4"	0'-5"	0'-5"	0'-5"	0'-5"	0'-5"	0'-5"	0'-5"	0'-5"	0'-5"	0'-5"	0'-5"	0'-5"	0'-5"	0'-5"	0'-5"	0'-5"	0'-5"	0'-5"	0'-5"	0'-5"	0'-5"	0'-5"	0'-5"	0'-5"	0'-5"
6D73	1	#6	6'-8"	T1	0'-4"	0'-5"	0'-5"	0'-5"	0'-5"	0'-5"	0'-5"	0'-5"	0'-5"	0'-5"	0'-5"	0'-5"	0'-5"	0'-5"	0'-5"	0'-5"	0'-5"	0'-5"	0'-5"	0'-5"	0'-5"	0'-5"	0'-5"	0'-5"	0'-5"	0'-5"
6D81	1	#6	3'-8"	T1	0'-4"	0'-5"	0'-5"	0'-5"	0'-5"	0'-5"	0'-5"	0'-5"	0'-5"	0'-5"	0'-5"	0'-5"	0'-5"	0'-5"	0'-5"	0'-5"	0'-5"	0'-5"	0'-5"	0'-5"	0'-5"	0'-5"	0'-5"	0'-5"	0'-5"	0'-5"
6D82	8	#6	12'-10"	T1	0'-4"	0'-5"	0'-5"	0'-5"	0'-5"	0'-5"	0'-5"	0'-5"	0'-5"	0'-5"	0'-5"	0'-5"	0'-5"	0'-5"	0'-5"	0'-5"	0'-5"	0'-5"	0'-5"	0'-5"	0'-5"	0'-5"	0'-5"	0'-5"	0'-5"	0'-5"
6D83	1	#6	6'-10"	T1	0'-4"	0'-5"	0'-5"	0'-5"	0'-5"	0'-5"	0'-5"	0'-5"	0'-5"	0'-5"	0'-5"	0'-5"	0'-5"	0'-5"	0'-5"	0'-5"	0'-5"	0'-5"	0'-5"	0'-5"	0'-5"	0'-5"	0'-5"	0'-5"	0'-5"	0'-5"
6D86	2	#6	15'-0"	T1	0'-4"	0'-5"	0'-5"	0'-5"	0'-5"	0'-5"	0'-5"	0'-5"	0'-5"	0'-5"	0'-5"	0'-5"	0'-5"	0'-5"	0'-5"	0'-5"	0'-5"	0'-5"	0'-5"	0'-5"	0'-5"	0'-5"	0'-5"	0'-5"	0'-5"	0'-5"
6D87	1	#6	13'-5"	T1	0'-4"	0'-5"	0'-5"	0'-5"	0'-5"	0'-5"	0'-5"	0'-5"	0'-5"	0'-5"	0'-5"	0'-5"	0'-5"	0'-5"	0'-5"	0'-5"	0'-5"	0'-5"	0'-5"	0'-5"	0'-5"	0'-5"	0'-5"	0'-5"	0'-5"	0'-5"
6D100	4	#6	15'-10"	T1	0'-4"	0'-5"	0'-5"	0'-5"	0'-5"	0'-5"	0'-5"	0'-5"	0'-5"	0'-5"	0'-5"	0'-5"	0'-5"	0'-5"	0'-5"	0'-5"	0'-5"	0'-5"	0'-5"	0'-5"	0'-5"	0'-5"	0'-5"	0'-5"	0'-5"	0'-5"
6D101	1	#6	7'-3"	T1	0'-4"	0'-5"	0'-5"	0'-5"	0'-5"	0'-5"	0'-5"	0'-5"	0'-5"	0'-5"	0'-5"	0'-5"	0'-5"	0'-5"	0'-5"	0'-5"	0'-5"	0'-5"	0'-5"	0'-5"	0'-5"	0'-5"	0'-5"	0'-5"	0'-5"	0'-5"
6D102	1	#6	5'-7"	T1	0'-4"	0'-5"	0'-5"	0'-5"	0'-5"	0'-5"	0'-5"	0'-5"	0'-5"	0'-5"	0'-5"	0'-5"	0'-5"	0'-5"	0'-5"	0'-5"	0'-5"	0'-5"	0'-5"	0'-5"	0'-5"	0'-5"	0'-5"	0'-5"	0'-5"	0'-5"
6D103	1	#6	7'-8"	T1	0'-4"	0'-5"	0'-5"	0'-5"	0'-5"	0'-5"	0'-5"	0'-5"	0'-5"	0'-5"	0'-5"	0'-5"	0'-5"	0'-5"	0'-5"	0'-5"	0'-5"	0'-5"	0'-5"	0'-5"	0'-5"	0'-5"	0'-5"	0'-5"	0'-5"	0'-5"
6D104	2	#6	11'-4"	T1	0'-4"	0'-5"	0'-5"	0'-5"	0'-5"	0'-5"	0'-5"	0'-5"	0'-5"	0'-5"	0'-5"	0'-5"	0'-5"	0'-5"	0'-5"	0'-5"	0'-5"	0'-5"	0'-5"	0'-5"	0'-5"	0'-5"	0'-5"	0'-5"	0'-5"	0'-5"
6D105	1	#6	12'-11"	T1	0'-4"	0'-5"	0'-5"	0'-5"	0'-5"	0'-5"	0'-5"	0'-5"	0'-5"	0'-5"	0'-5"	0'-5"	0'-5"	0'-5"	0'-5"	0'-5"	0'-5"	0'-5"	0'-5"	0'-5"	0'-5"	0'-5"	0'-5"	0'-5"	0'-5"	0'-5"
6D106	1	#6	10'-11"	T1	0'-4"	0'-5"	0'-5"	0'-5"	0'-5"	0'-5"	0'-5"	0'-5"	0'-5"	0'-5"	0'-5"	0'-5"	0'-5"	0'-5"	0'-5"	0'-5"	0'-5"	0'-5"	0'-5"	0'-5"	0'-5"	0'-5"	0'-5"	0'-5"	0'-5"	0'-5"
6D107	1	#6	9'-4"	T1	0'-4"	0'-5"	0'-5"	0'-5"	0'-5"	0'-5"	0'-5"	0'-5"	0'-5"	0'-5"	0'-5"	0'-5"	0'-5"	0'-5"	0'-5"	0'-5"	0'-5"	0'-5"	0'-5"	0'-5"	0'-5"	0'-5"	0'-5"	0'-5"	0'-5"	0'-5"
6D108	1	#6	7'-1"	T1	0'-4"	0'-5"	0'-5"	0'-5"	0'-5"	0'-5"	0'-5"	0'-5"	0'-5"	0'-5"	0'-5"	0'-5"	0'-5"	0'-5"	0'-5"	0'-5"	0'-5"	0'-5"	0'-5"	0'-5"	0'-5"	0'-5"	0'-5"	0'-5"	0'-5"	0'-5"
6D109	1	#6	15'-11"	T1	0'-4"	0'-5"	0'-5"	0'-5"	0'-5"	0'-5"	0'-5"	0'-5"	0'-5"	0'-5"	0'-5"	0'-5"	0'-5"	0'-5"	0'-5"	0'-5"	0'-5"	0'-5"	0'-5"	0'-5"	0'-5"	0'-5"	0'-5"	0'-5"	0'-5"	0'-5"
6D110	1	#6	15'-11"	T1	0'-4"	0'-5"	0'-5"	0'-5"	0'-5"	0'-5"	0'-5"	0'-5"	0'-5"	0'-5"	0'-5"	0'-5"	0'-5"	0'-5"	0'-5"	0'-5"	0'-5"	0'-5"	0'-5"	0'-5"	0'-5"	0'-5"	0'-5"	0'-5"	0'-5"	0'-5"
6D111	1	#6	15'-9"	T1	0'-4"	0'-5"	0'-5"	0'-5"	0'-5"	0'-5"	0'-5"	0'-5"	0'-5"	0'-5"	0'-5"	0'-5"	0'-5"	0'-5"	0'-5"	0'-5"	0'-5"	0'-5"	0'-5"	0'-5"	0'-5"	0'-5"	0'-5"	0'-5"	0'-5"	0'-5"



LAP SCHEDULE

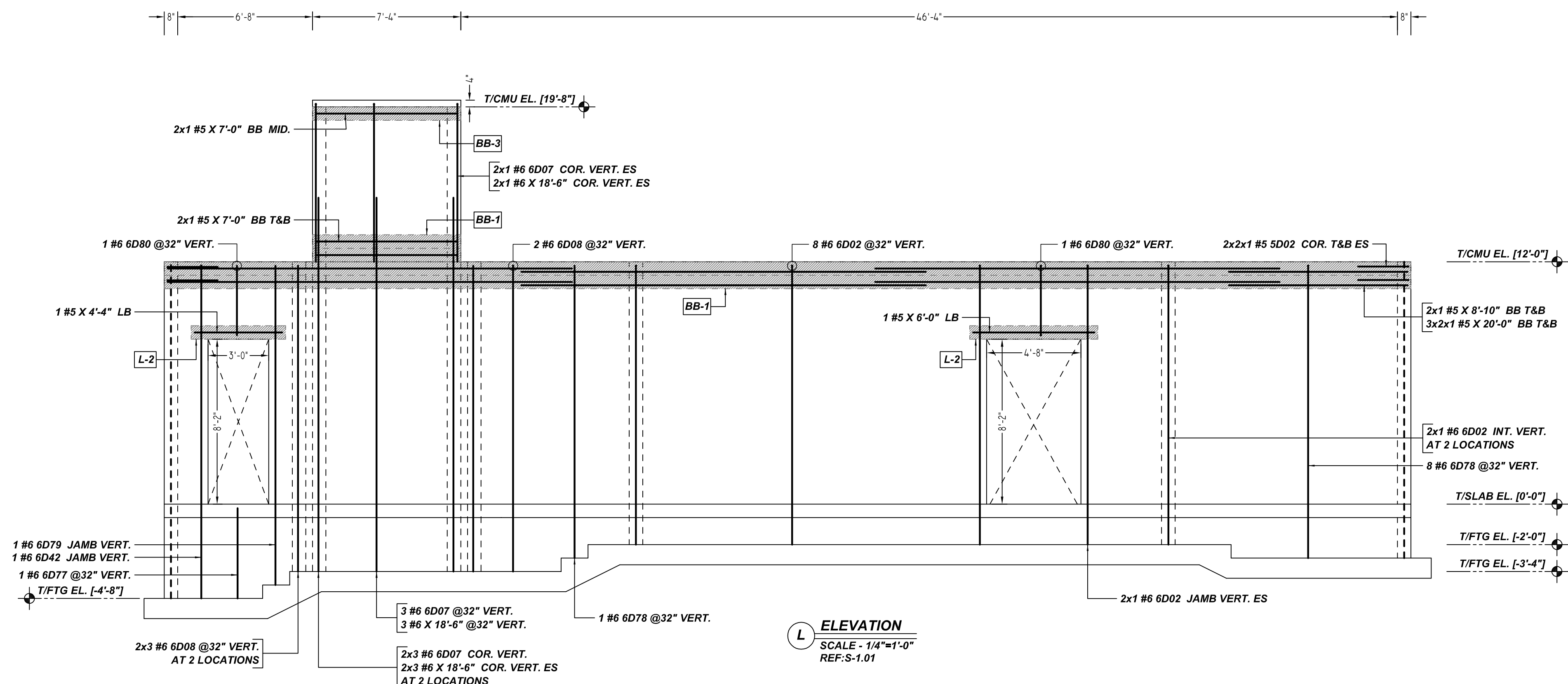
SIZE	48 Ø LAP
#3	18"
#4	24"
#5	30"
#6	36"
#7	42"
#8	48"
#9	55"
#10	61"
#11	68"

**ALL BARS IN THIS DRAWING
ASTM A615 GRADE 60
BLACK UNCOATED**

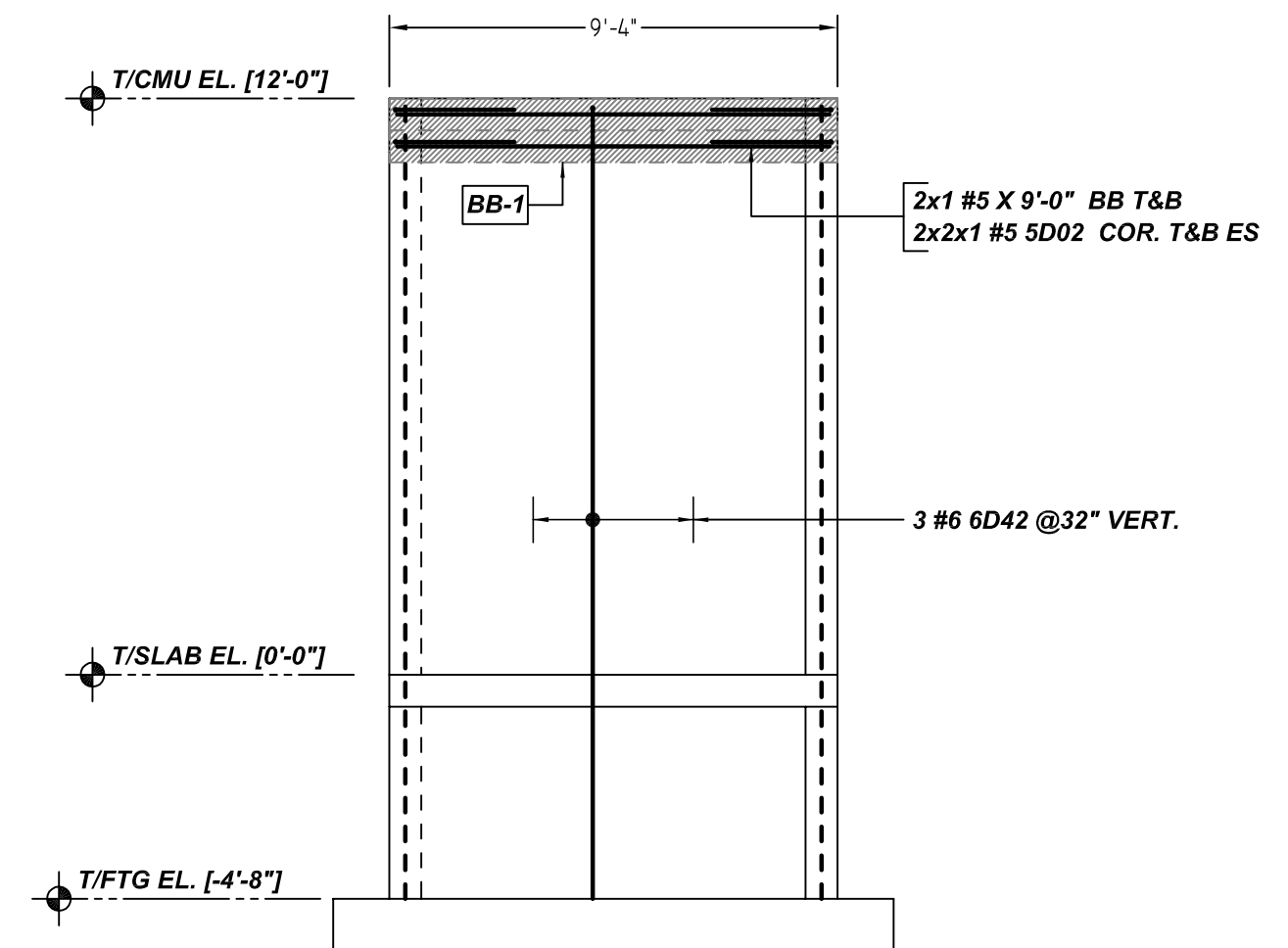


KEY PLAN
SCALE - N.T.S.

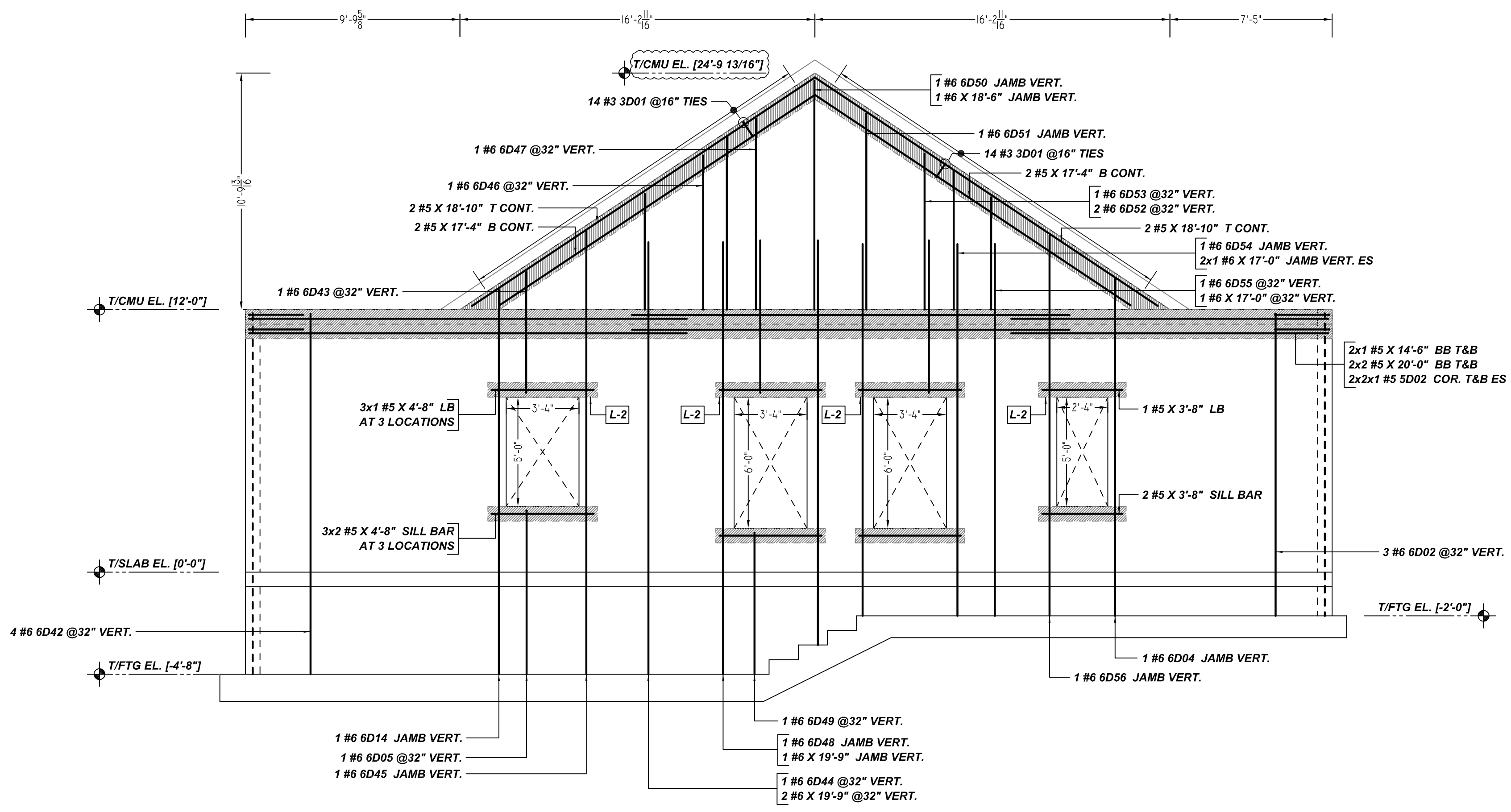
GRADE	60 A615	PRINT RECORD	
PREFIX		NO.	TO FOR DATE
BAR LIST NOS.			
MK	REVISION	DATE	
0	FOR APPROVAL	10/28/21	
CUSTOMER		MR. AND MRS. DARREN AND PAIGE RIOPELLE	
JOB		RIOPELLE RESIDENCE SEAWALL'S POINT	
LOCATION		79 S RIVER ROAD SEAWALL'S POINT, FL 34996	
DRAWN	DATE	CONTROL CODE	DWG. NO.
AND/MET	10/28/2021	-	R09



L ELEVATION
SCALE - 1/4"=1'-0"
REF-S-1.01



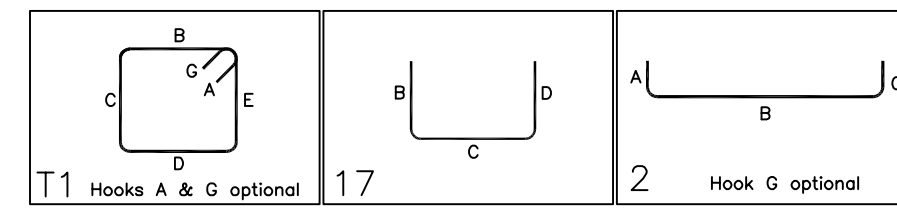
M ELEVATION
SCALE - 1/4"=1'-0"
REF-S-1.01



N ELEVATION
SCALE - 1/4"=1'-0"
REF-S-1.01

Release Number: R10

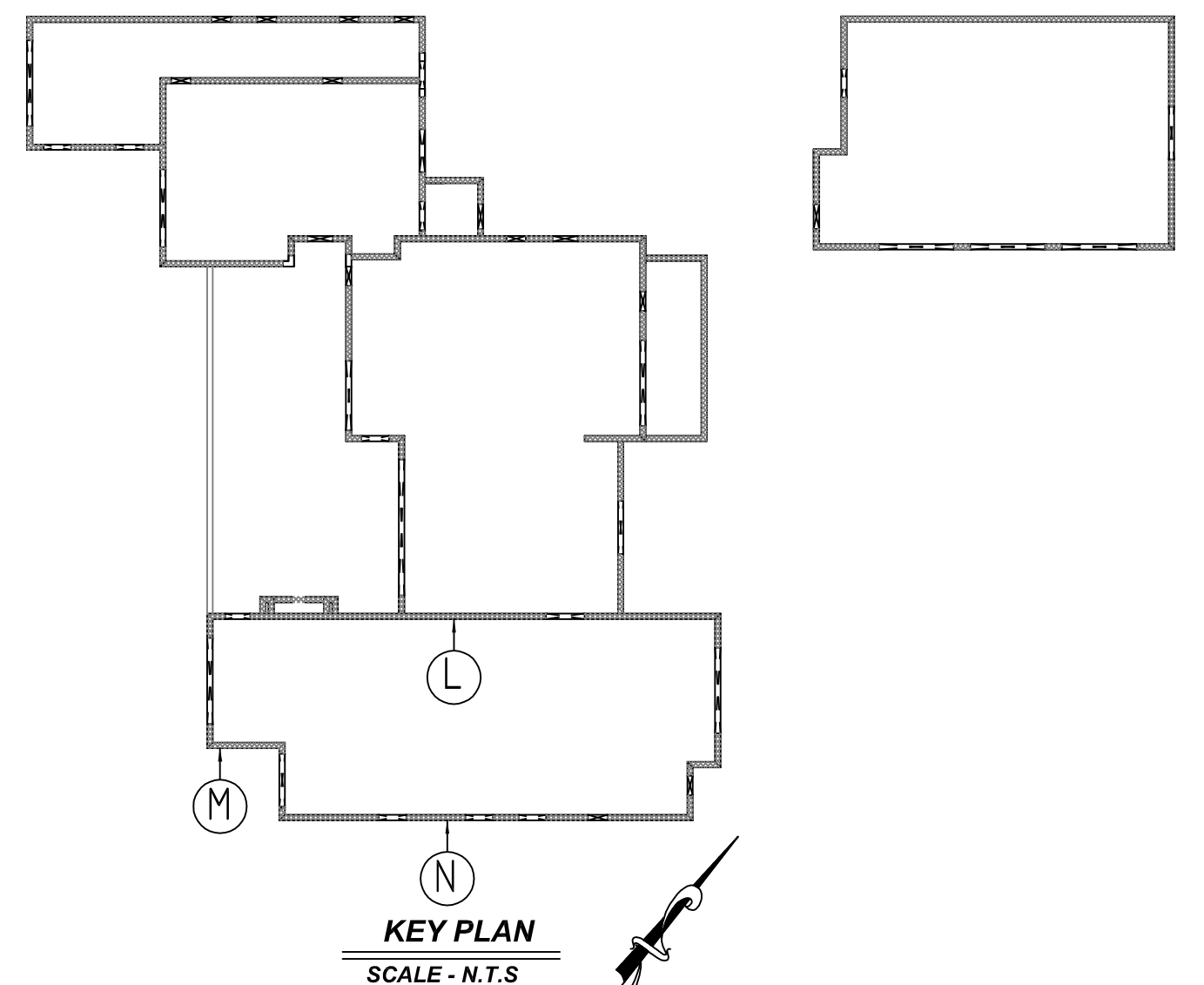
Bar Work	Qty	Size	Total Length	Type	X	Y	Z	W	V	U	T	S	R	Q	P	O	N	M	L	K	J	I	H	G	F	E	D	C	B	A	
3001	28	#3	3'-0"	11																											
5002	12	#5	5'-0"	17																											
6002	15	#6	14'-10"	2	1'-0"	13'-10"																									
6004	1	#6	16'-5"	2	1'-0"	15'-5"																									
6005	1	#6	8'-6"	2	1'-0"	7'-6"																									
6007	11	#6	8'-10"	2	1'-0"	7'-10"																									
6008	8	#6	16'-2"	2	1'-0"	15'-2"																									
6014	1	#6	16'-7"	2	1'-0"	15'-7"																									
6042	8	#6	17'-8"	2	1'-0"	16'-8"																									
6043	1	#6	7'-7"	2	1'-0"	5'-7"																									
6044	1	#6	6'-4"	2	1'-0"	5'-4"																									
6045	1	#6	21'-4"	2	1'-0"	20'-4"																									
6046	1	#6	8'-1"	2	1'-0"	7'-1"																									
6047	1	#6	9'-9"	2	1'-0"	8'-9"																									
6048	1	#6	8'-11"	2	1'-0"	7'-11"																									
6049	1	#6	7'-8"	2	1'-0"	6'-8"																									
6050	1	#6	11'-6"	2	1'-0"	10'-6"																									
6051	1	#6	10'-0"	2	1'-0"	9'-0"																									
6052	2	#6	8'-0"	2	1'-0"	7'-0"																									
6053	1	#6	8'-2"	2	1'-0"	7'-2"																									
6054	1	#6	7'-4"	2	1'-0"	6'-4"																									
6055	1	#6	8'-2"	2	1'-0"	5'-2"																									
6056	1	#6	16'-5"	2	1'-0"	15'-5"																									
6077	1	#6	5'-5"	2	1'-0"	4'-5"																									
6078	9	#6	15'-6"	2	1'-0"	14'-6"																									
6079	1	#6	16'-10"	2	1'-0"	15'-10"																									
6080	2	#6	5'-6"	2	1'-0"	3'-6"																									



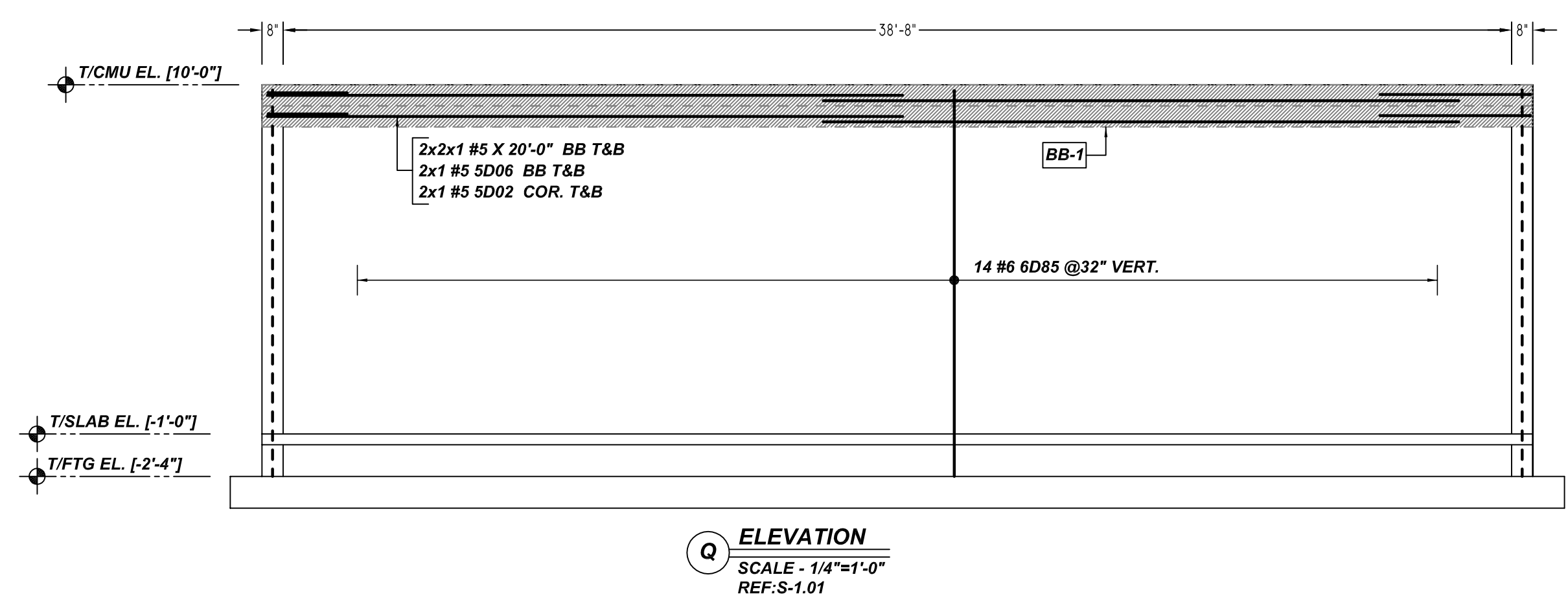
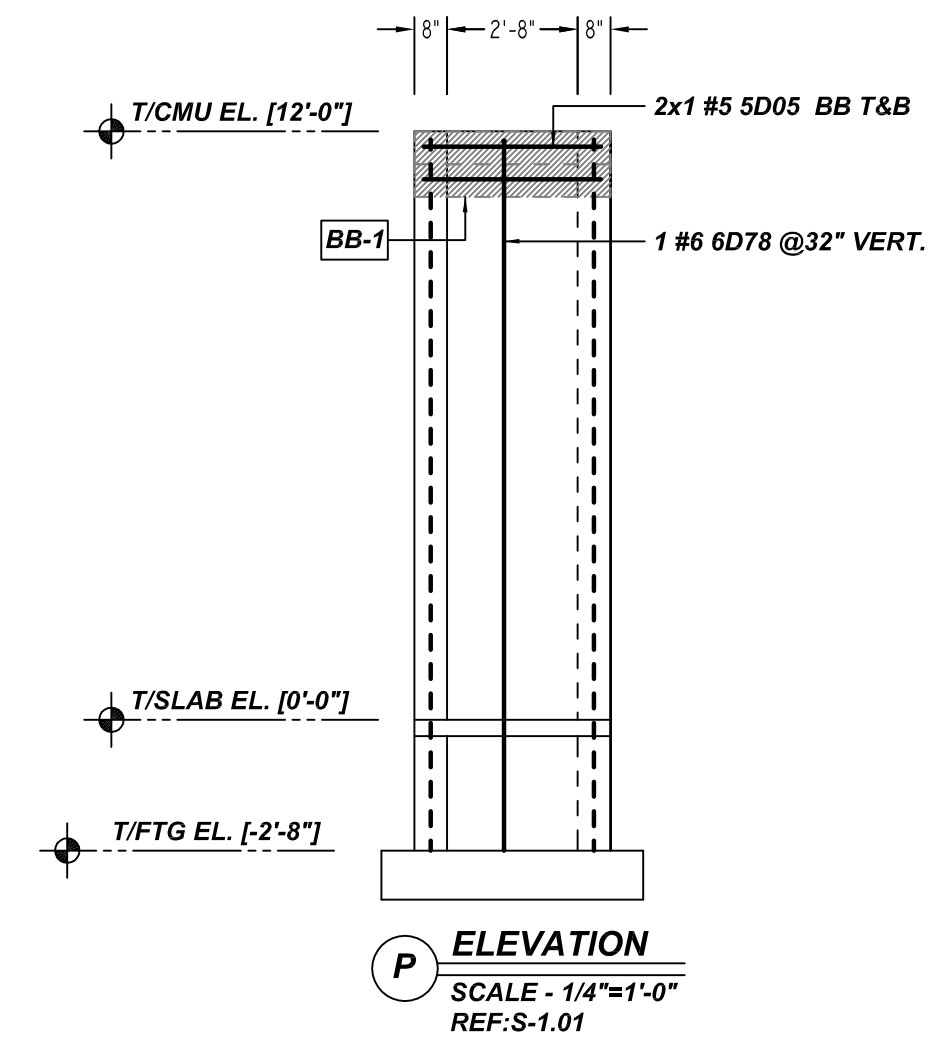
LAP SCHEDULE

SIZE	48 Ø LAP
#3	18"
#4	24"
#5	30"
#6	36"
#7	42"
#8	48"
#9	55"
#10	61"
#11	68"

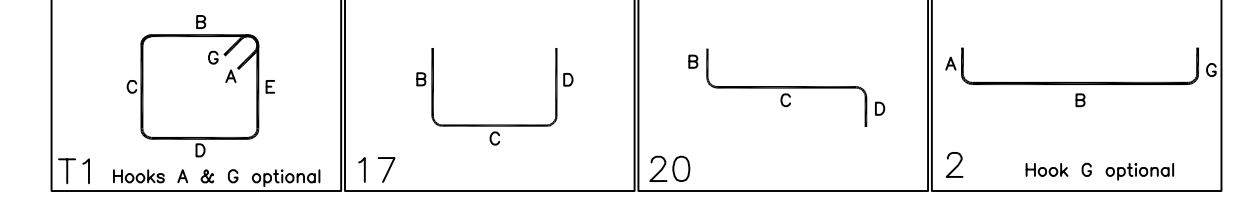
**ALL BARS IN THIS DRAWING
ASTM A615 GRADE 60
BLACK UNCOATED**



GRADE	60 A615	PRINT RECORD	
PREFIX		NO.	TO FOR DATE
BAR LIST NOS.			
MK	REVISION	DATE	
0	FOR APPROVAL	10/28/21	
CMU WALL REINFORCEMENT DETAILS			
CUSTOMER MR. AND MRS. DARREN AND PAIGE RIOPELLE			
JOB RIOPELLE RESIDENCE SEAWALL'S POINT			
LOCATION 79 S RIVER ROAD SEAWALL'S POINT, FL 34996			
DRAWN	DATE	CONTROL CODE	DWG. NO.
AND/MET	10/28/2021	-	R10

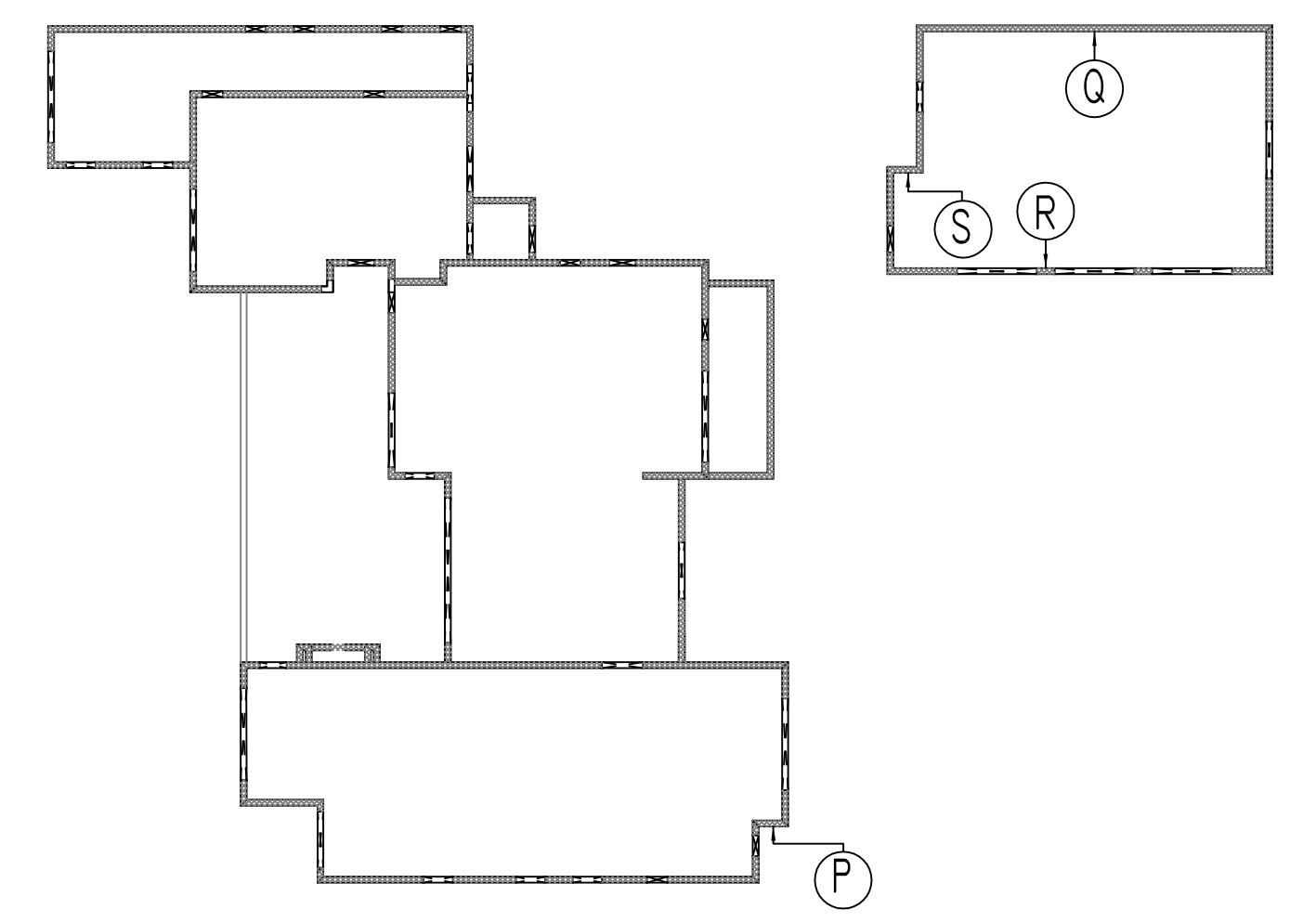
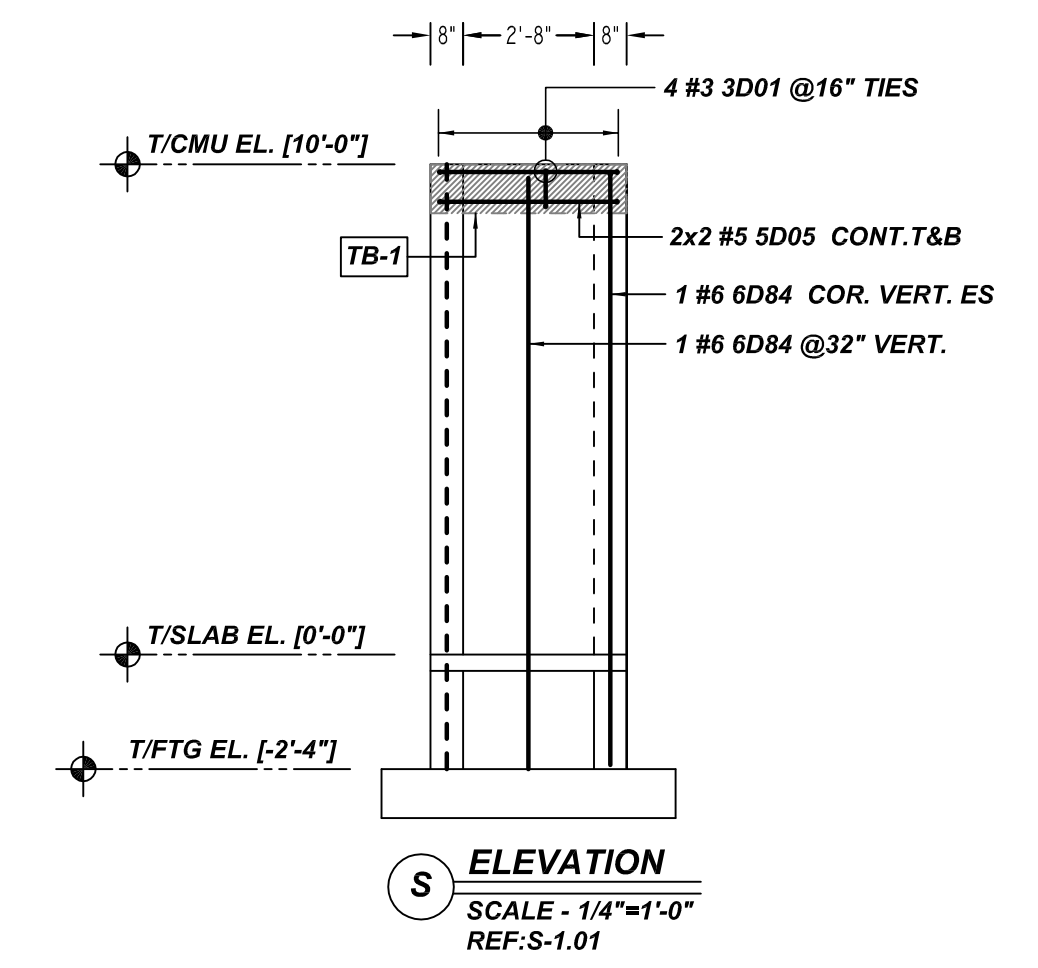
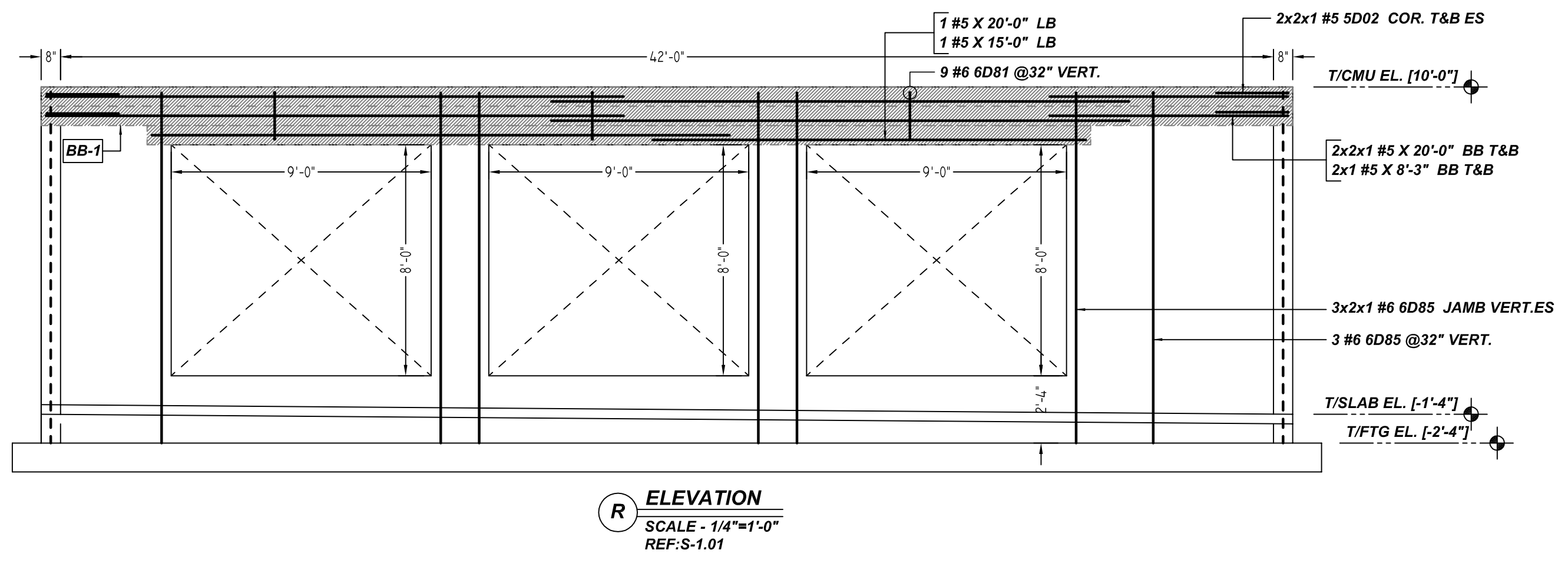


Bar Mark	Qty	Size	Total Length	Type	X'	Y'	Z'	W'	V'	U'	T'	S'	R'	Q'	P'	O'	N'	M'	L'	K'	J'	I'	H'	G'	F'	E'	D'	C'	B'	A'
3001	4	#3	3'-0"	T1	0'-4"	0'-5"	0'-9"	0'-5"	0'-9"	0'-4"																				
5002	6	#5	5'-0"	T1	2'-6"	2'-6"																								
5005	6	#5	8'-8"	T1	2'-6"	3'-8"	2'-6"																							
5006	2	#5	7'-3"	T1	2'-6"	4'-9"																								
6019	1	#6	15'-6"	T1	1'-0"	14'-4"																								
6081	9	#6	3'-8"	T1	1'-0"	1'-8"																								
6084	2	#6	13'-1"	T1	1'-0"	12'-1"																								
6085	23	#6	15'-2"	T1	1'-0"	12'-2"																								

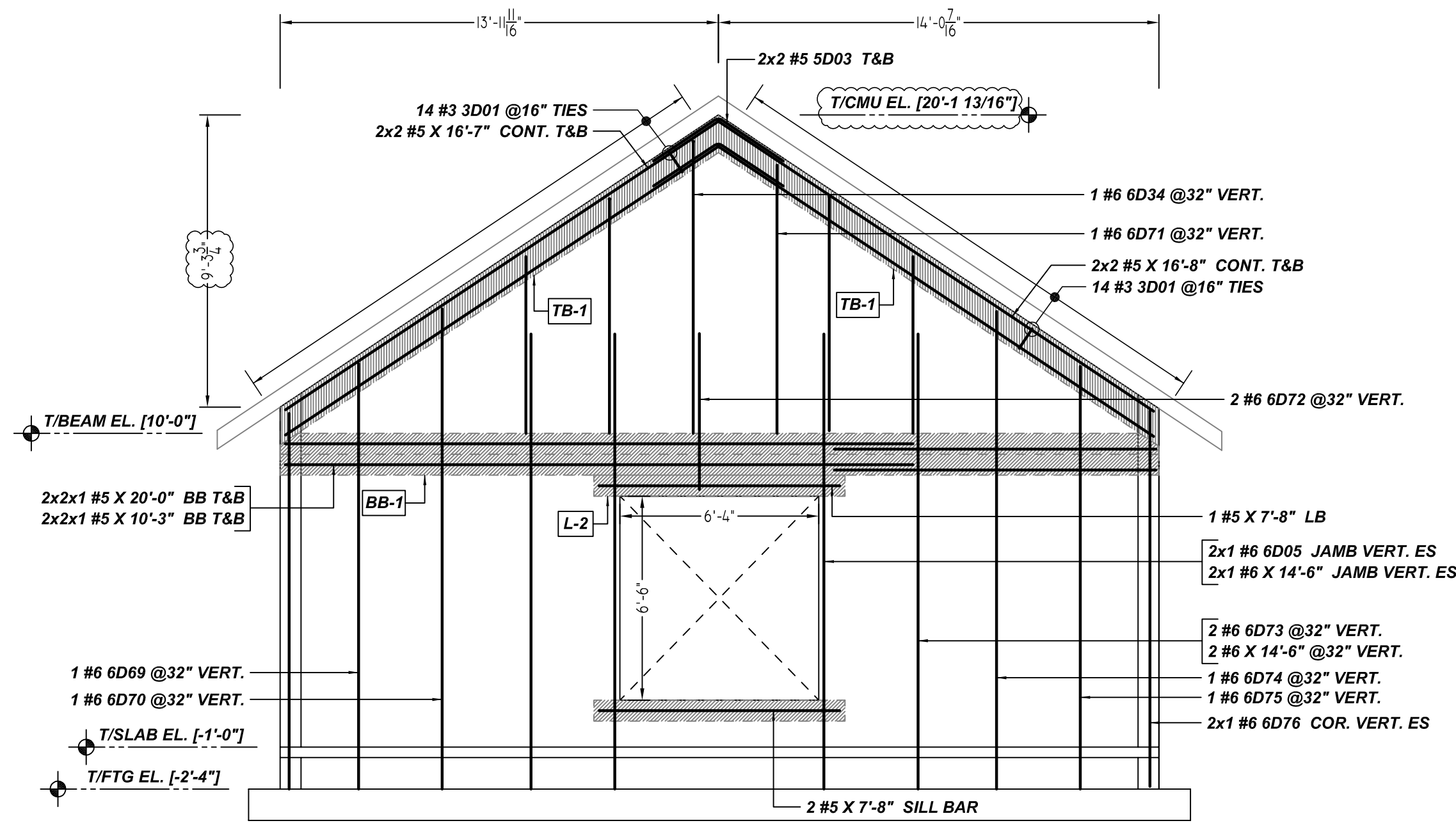


SIZE	48 Ø LAP
#3	18"
#4	24"
#5	30"
#6	36"
#7	42"
#8	48"
#9	55"
#10	61"
#11	68"

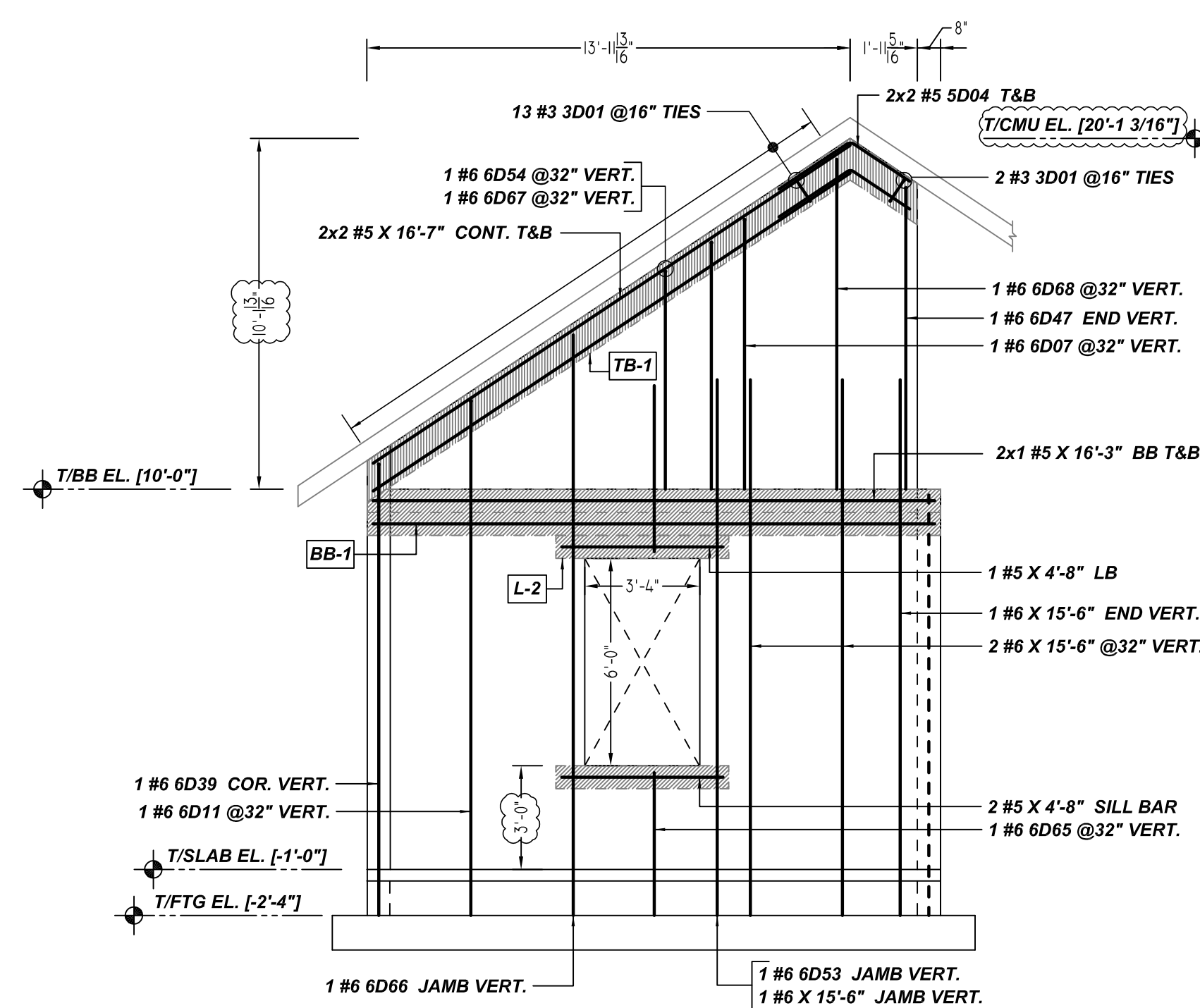
**ALL BARS IN THIS DRAWING
ASTM A615 GRADE 60
BLACK UNCOATED**



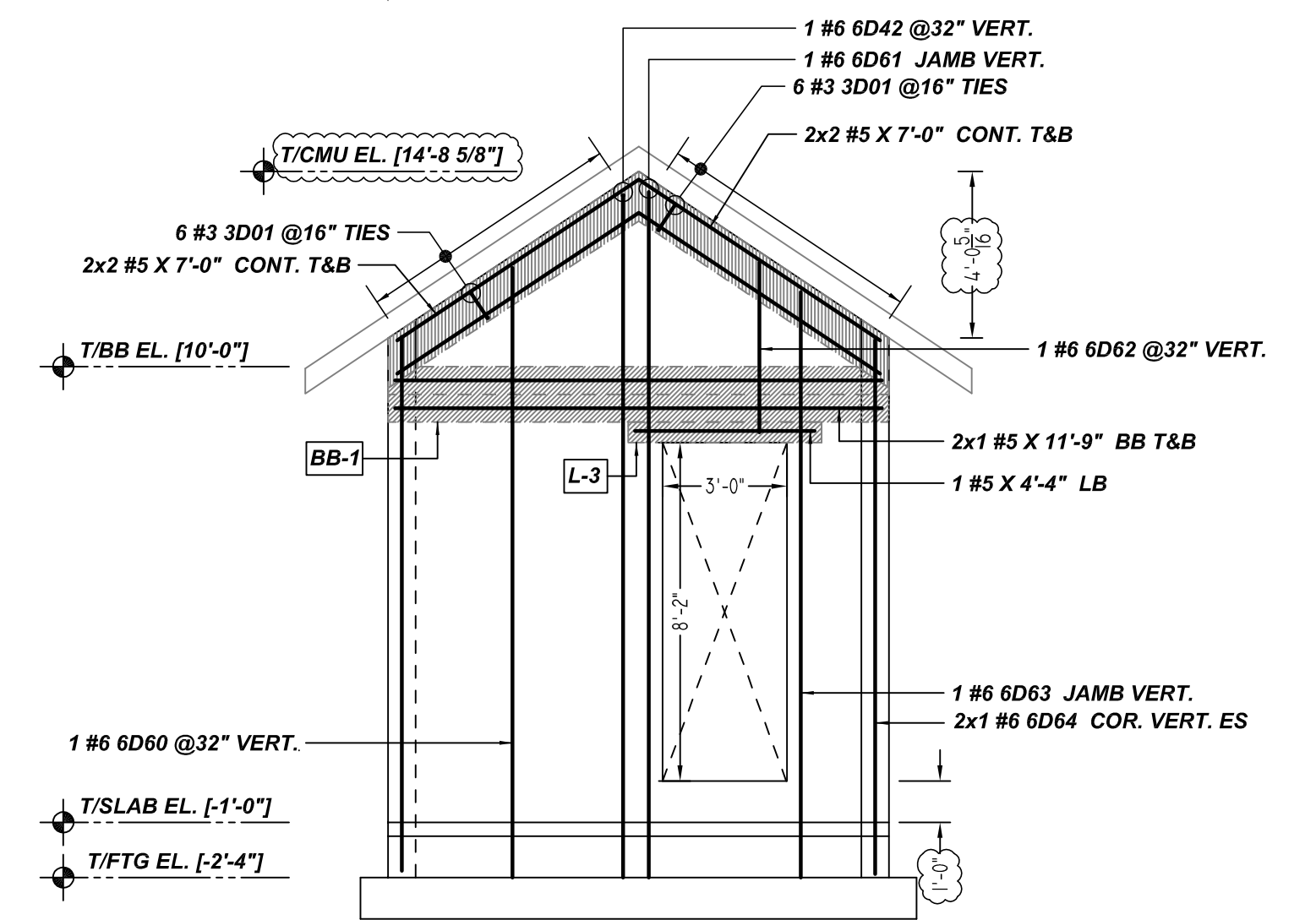
GRADE	60 A615	PRINT RECORD		CMU WALL REINFORCEMENT DETAILS
PREFIX		NO.	TO FOR DATE	
BAR LIST NOS.		MK	REVISION DATE	CUSTOMER MR. AND MRS. DARREN AND PAIGE RIOPELLE JOB RIOPELLE RESIDENCE SEAWALL'S POINT LOCATION 79 S RIVER ROAD SEAWALL'S POINT, FL 34996
		0	FOR APPROVAL 10/28/21	
		DRAWN	DATE	DWG. NO.
		AND/MET	10/28/2021	R11



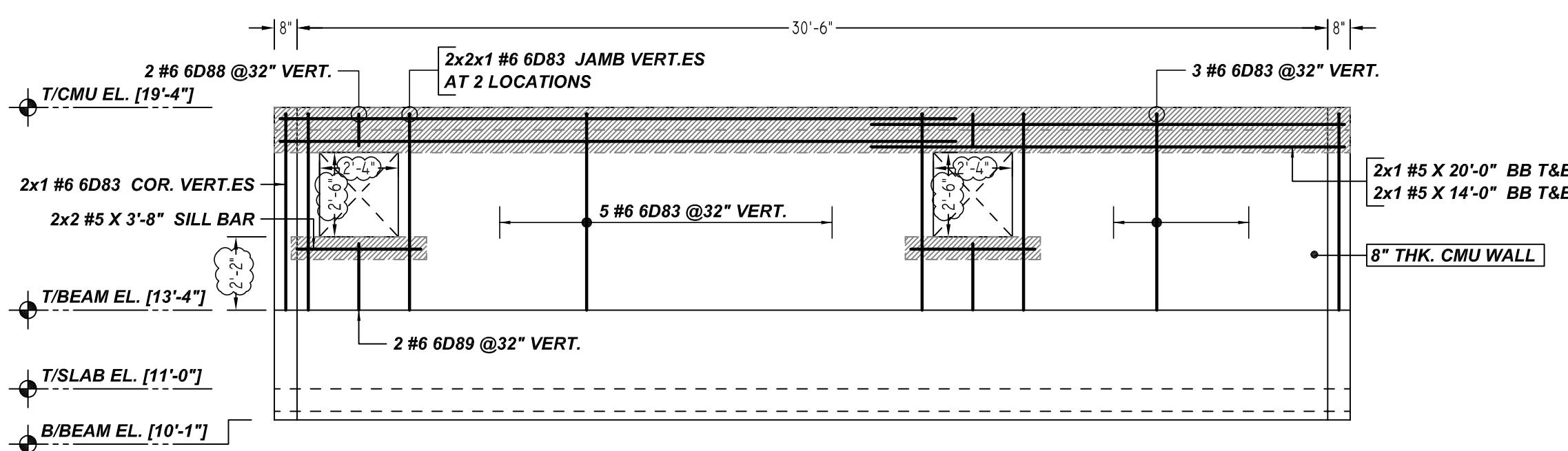
T ELEVATION
SCALE - 1/4"=1'-0"
REF:S-1.01



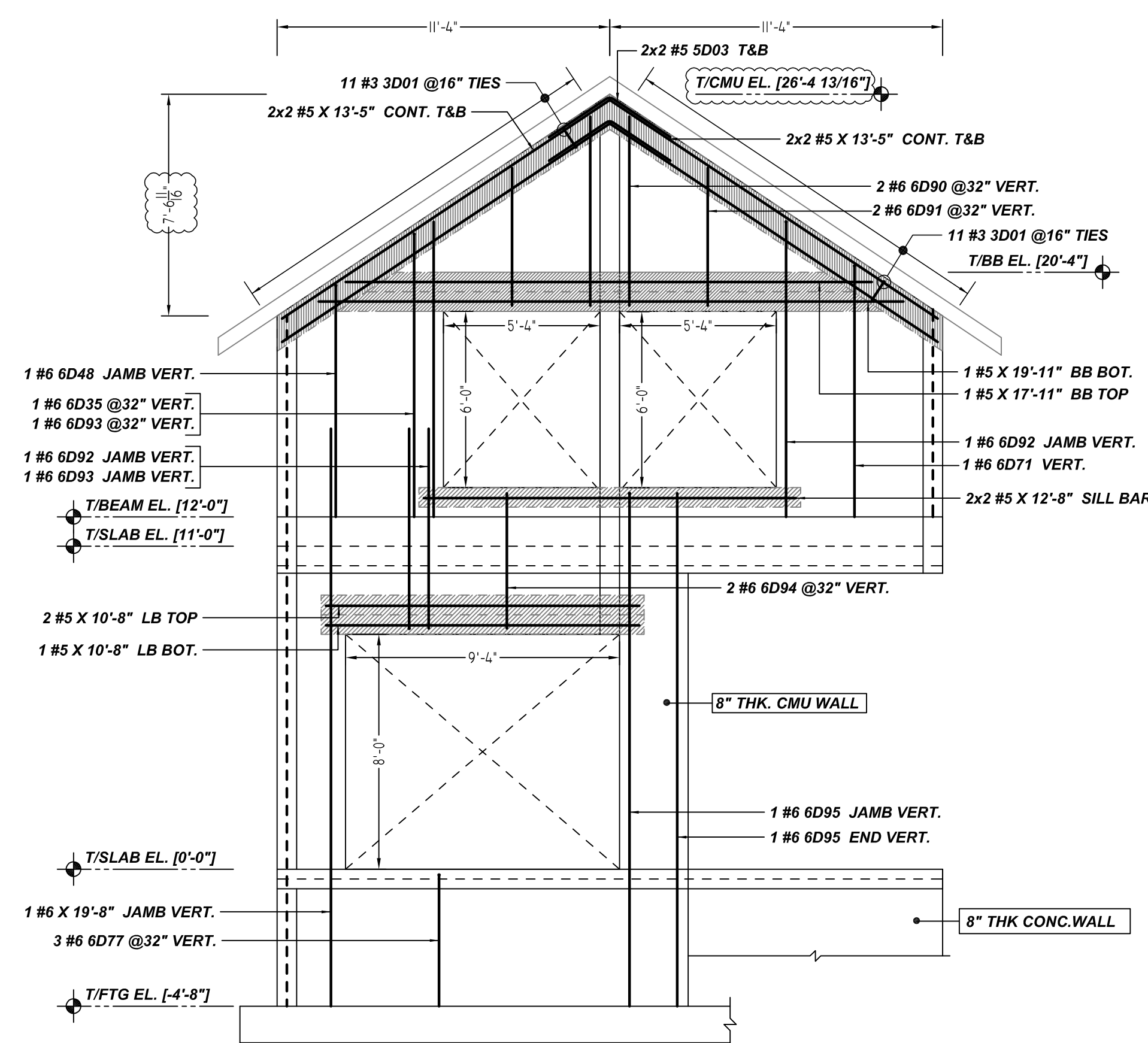
U ELEVATION
SCALE - 1/4"=1'-0"
REF:S-1.01



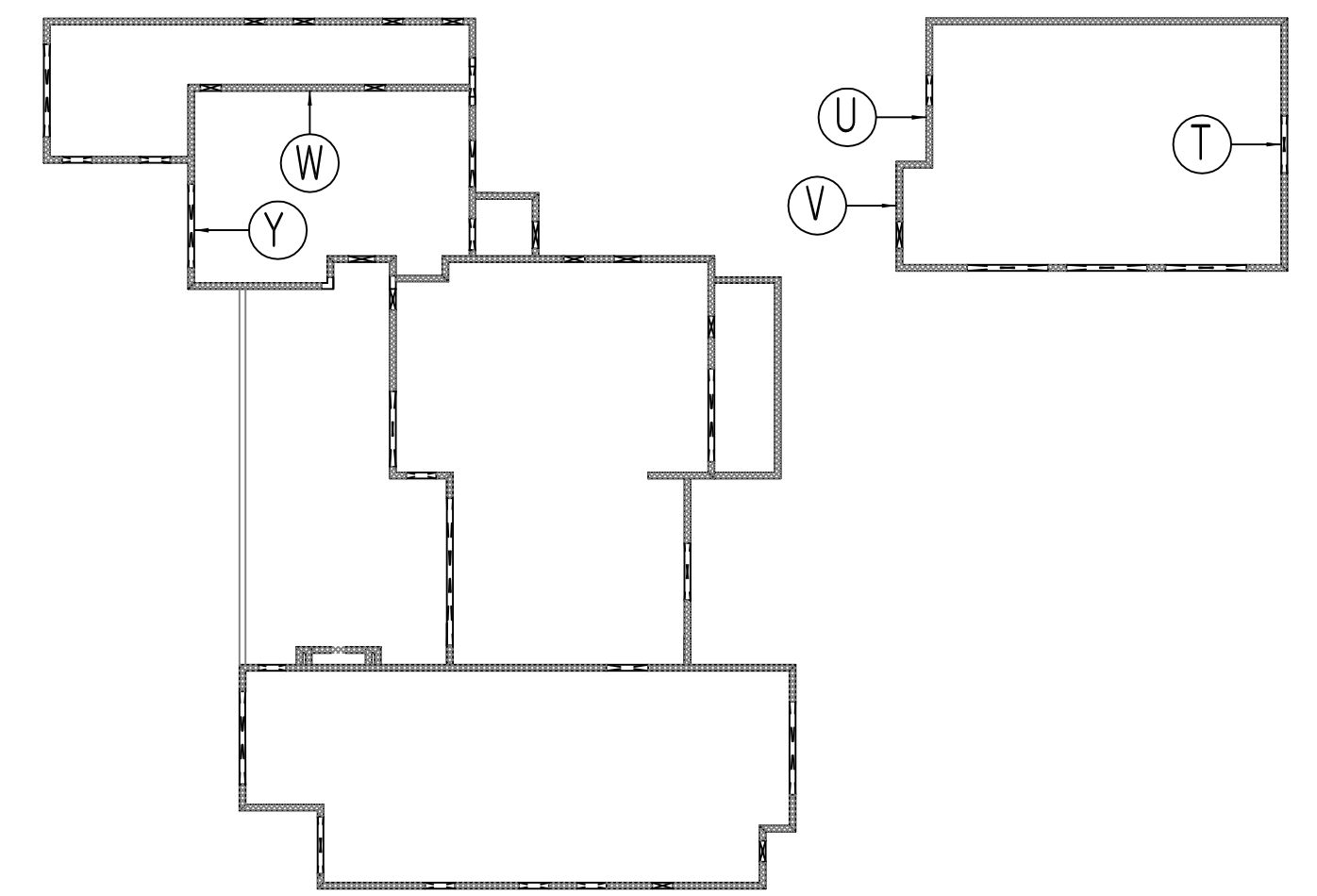
V ELEVATION
SCALE - 1/4"=1'-0"
REF:S-1.01



W ELEVATION
SCALE - 1/4"=1'-0"
REF:S-1.01



Y ELEVATION
SCALE - 1/4"=1'-0"
REF:S-1.01

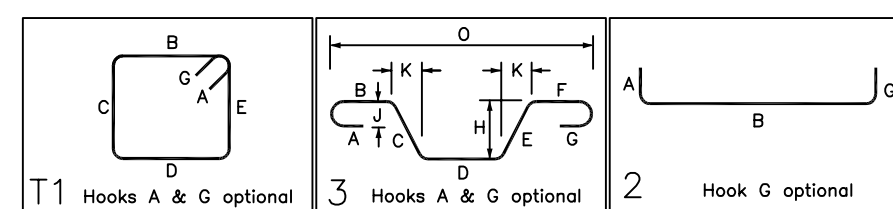


KEY PLAN
SCALE - N.T.S.

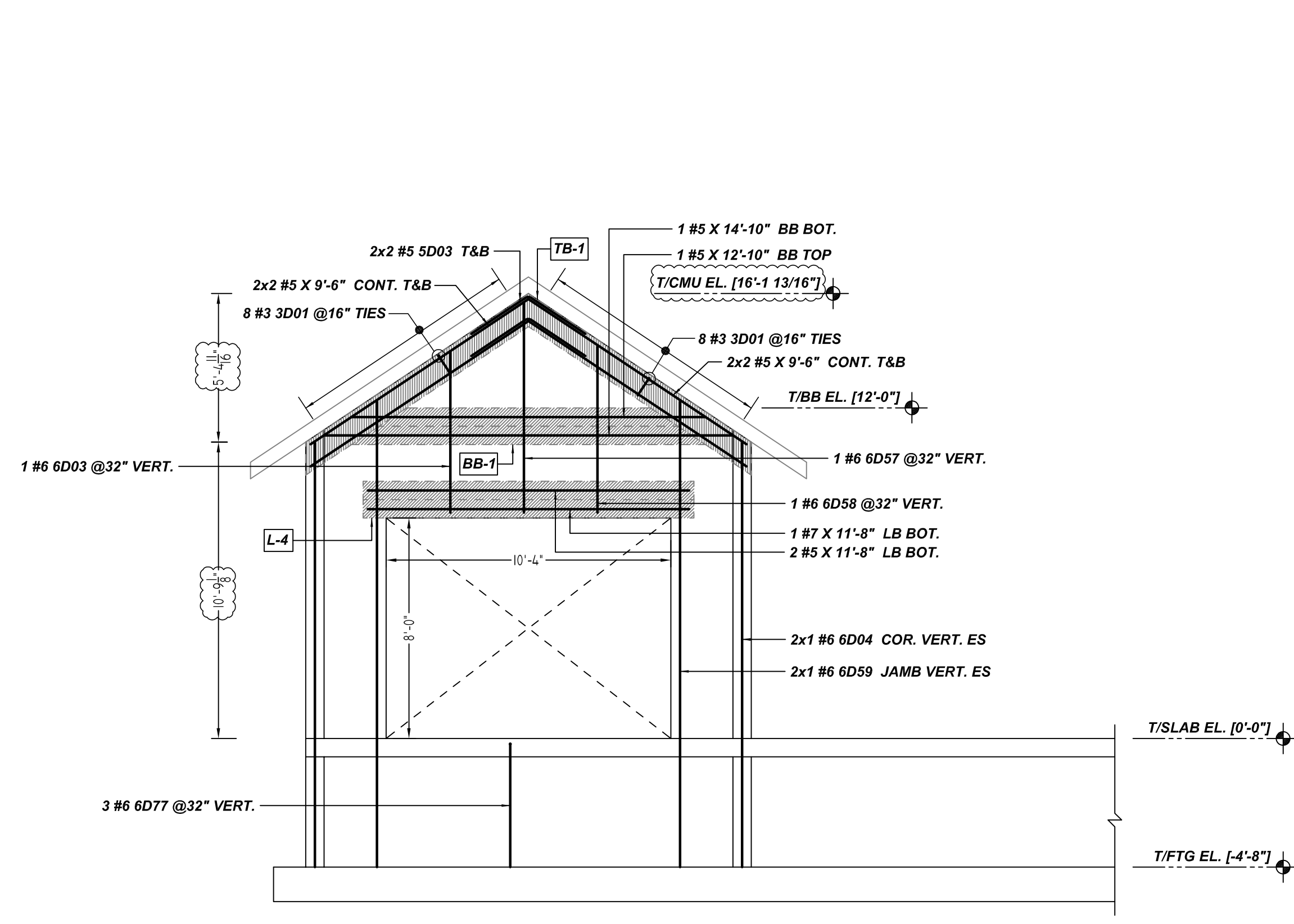
Bar Mark	Qty	Size	Total Length	Type	X'	Y'	Z'	X''	Y''	Z''	X'''	Y'''	Z'''
3001	77	#3	3'-0"	11		0'-4"	0'-5"	0'-9"			0'-4"		
5003	8	#5	4'-11"	3		2'-6"	2'-5"				2'-3"	0'-10"	3'-4"
5004	4	#5	4'-6"	3		2'-6"	2'-0"				1'-11"	0'-9"	3'-3"
6005	2	#6	8'-6"	2	1'-0"	7'-6"							
6007	1	#6	8'-10"	2	1'-0"	7'-10"							
6011	1	#6	15'-11"	2	1'-0"	14'-11"							
6034	1	#6	10'-4"	2	1'-0"	9'-4"							
6035	1	#6	10'-8"	2	1'-0"	9'-8"							
6039	1	#6	14'-1"	2	1'-0"	13'-1"							
6042	1	#6	17'-6"	2	1'-0"	16'-6"							
6047	1	#6	9'-9"	2	1'-0"	8'-9"							
6048	1	#6	8'-11"	2	1'-0"	7'-11"							
6053	1	#6	8'-2"	2	1'-0"	7'-2"							
6054	1	#6	7'-4"	2	1'-0"	6'-4"							
6060	1	#6	15'-9"	2	1'-0"	14'-9"							
6061	1	#6	17'-7"	2	1'-0"	16'-7"							
6062	1	#6	6'-2"	2	1'-0"	4'-2"				1'-0"			
6063	1	#6	15'-2"	2	1'-0"	14'-2"							
6064	2	#6	13'-11"	2	1'-0"	12'-11"							
6065	1	#6	5'-2"	2	1'-0"	4'-2"							
6066	1	#6	17'-10"	2	1'-0"	16'-10"							
6067	1	#6	5'-10"	2	1'-0"	4'-10"							
6068	1	#6	10'-7"	2	1'-0"	9'-7"							
6069	1	#6	14'-7"	2	1'-0"	13'-7"							
6070	1	#6	16'-4"	2	1'-0"	15'-4"							
6071	2	#6	9'-7"	2	1'-0"	8'-7"							
6072	2	#6	6'-0"	2	1'-0"	5'-0"							
6073	2	#6	6'-5"	2	1'-0"	5'-5"							
6074	1	#6	15'-3"	2	1'-0"	15'-3"							
6075	1	#6	14'-6"	2	1'-0"	13'-6"							
6076	2	#6	13'-0"	2	1'-0"	12'-0"							
6077	3	#6	5'-6"	2	1'-0"	4'-6"							
6083	14	#6	6'-10"	2	1'-0"	5'-10"							
6088	2	#6	3'-0"	2	1'-0"	1'-0"				1'-0"			
6089	2	#6	3'-0"	2	1'-0"	2'-0"							
6090	2	#6	8'-6"	2	1'-0"	6'-6"				1'-0"			
6091	2	#6	6'-9"	2	1'-0"	4'-9"				1'-0"			
6092	2	#6	11'-1"	2	1'-0"	10'-1"							
6093	2	#6	7'-10"	2	1'-0"	6'-10"							
6094	2	#6	6'-8"	2	1'-0"	4'-8"				1'-0"			
6095	2	#6	18'-6"	2	1'-0"	17'-6"							

SIZE	48 Ø LAP
#3	18"
#4	24"
#5	30"
#6	36"
#7	42"
#8	48"
#9	55"
#10	61"
#11	68"

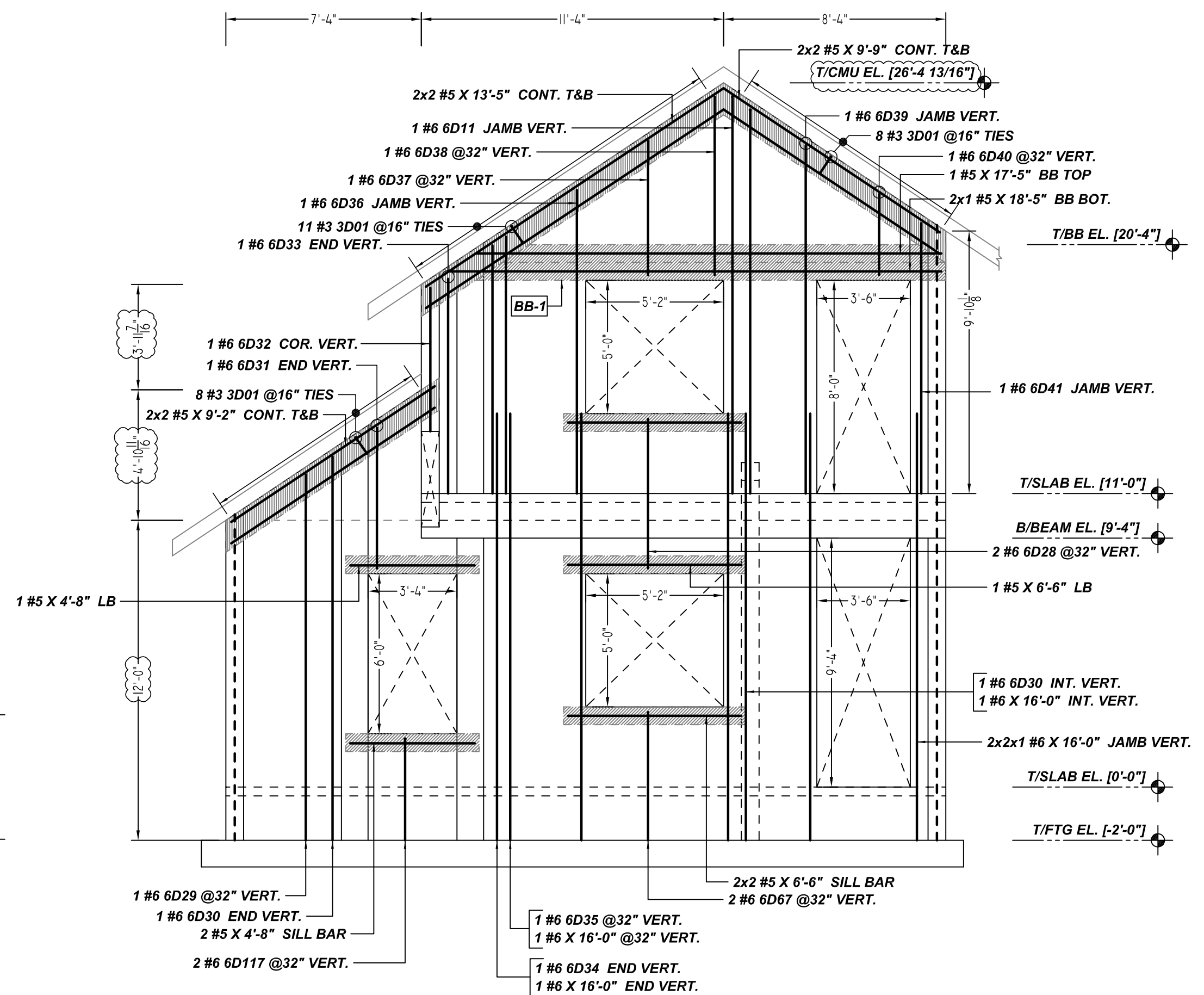
**ALL BARS IN THIS DRAWING
ASTM A615 GRADE 60
BLACK UNCOATED**



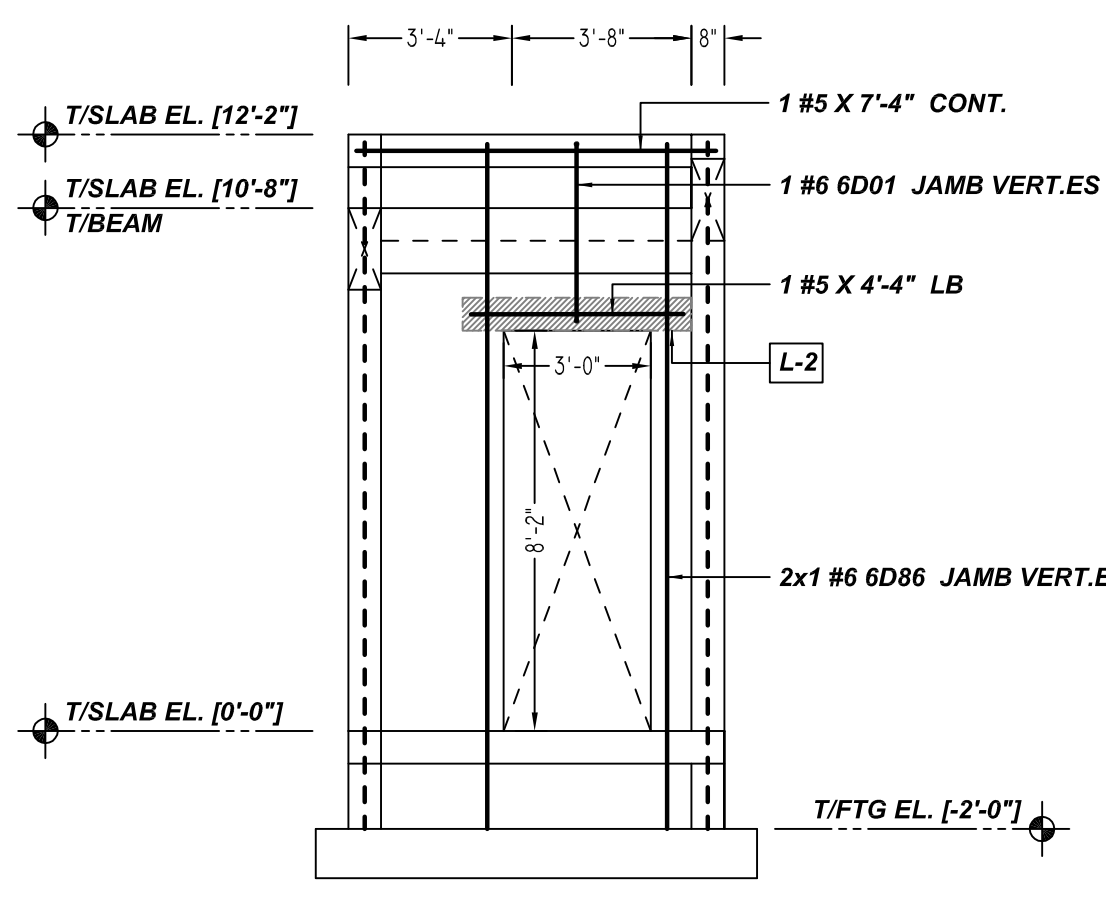
GRADE	60 A615	PRINT RECORD	
PREFIX		NO.	TO FOR DATE
BAR LIST NOS.			
MK	REVISION	DATE	
0	FOR APPROVAL	10/28/21	
CMU WALL REINFORCEMENT DETAILS			
CUSTOMER MR. AND MRS. DARREN AND PAIGE RIOPELLE			
JOB RIOPELLE RESIDENCE SEAWALL'S POINT			
LOCATION 79 S RIVER ROAD SEAWALL'S POINT, FL 34996			
DRAWN	DATE	CONTROL CODE	DWG. NO.
AND/MET	10/28/2021	-	R12



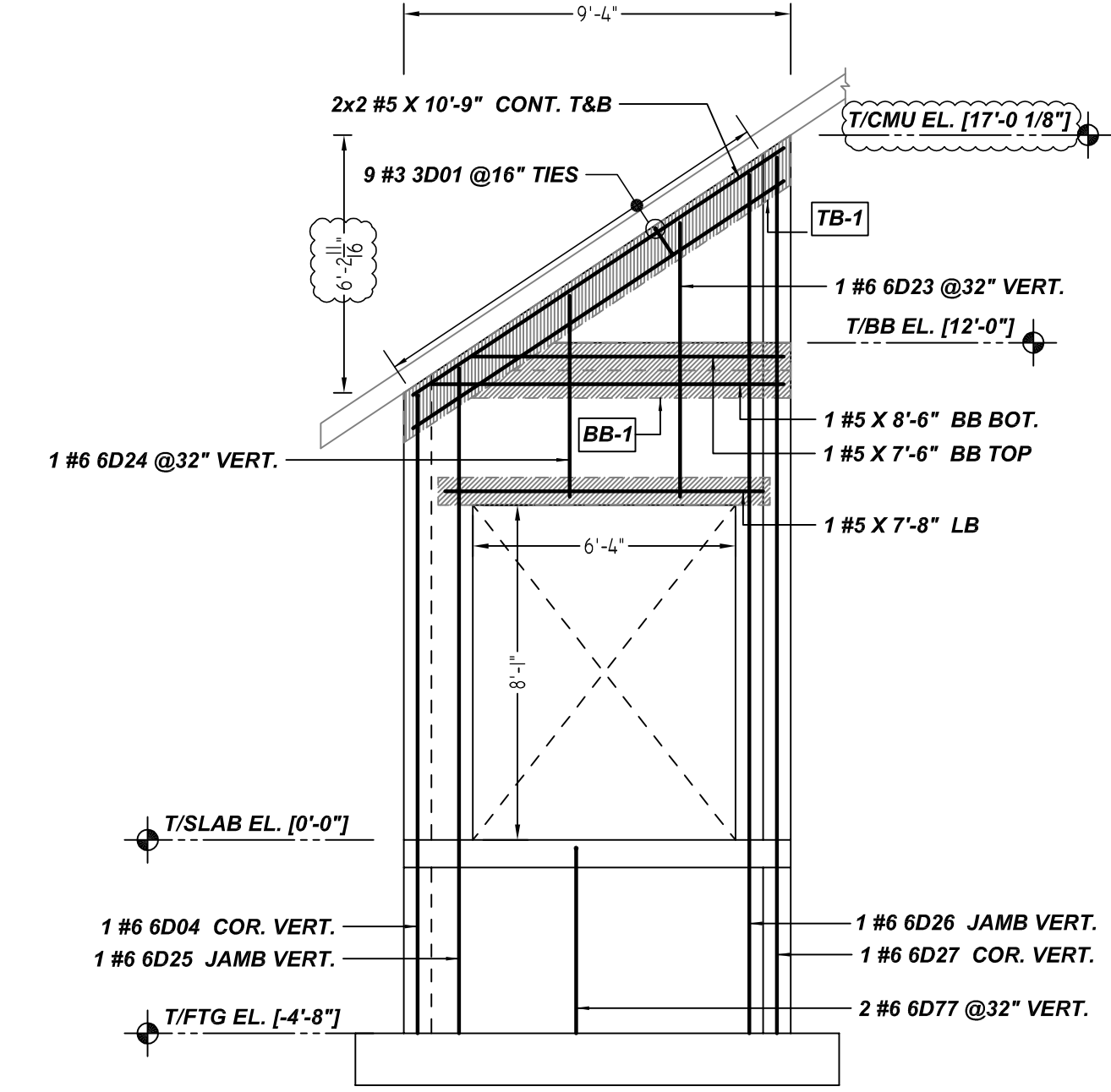
Z ELEVATION
SCALE - 1/4"=1'-0"
REF-S-1.01



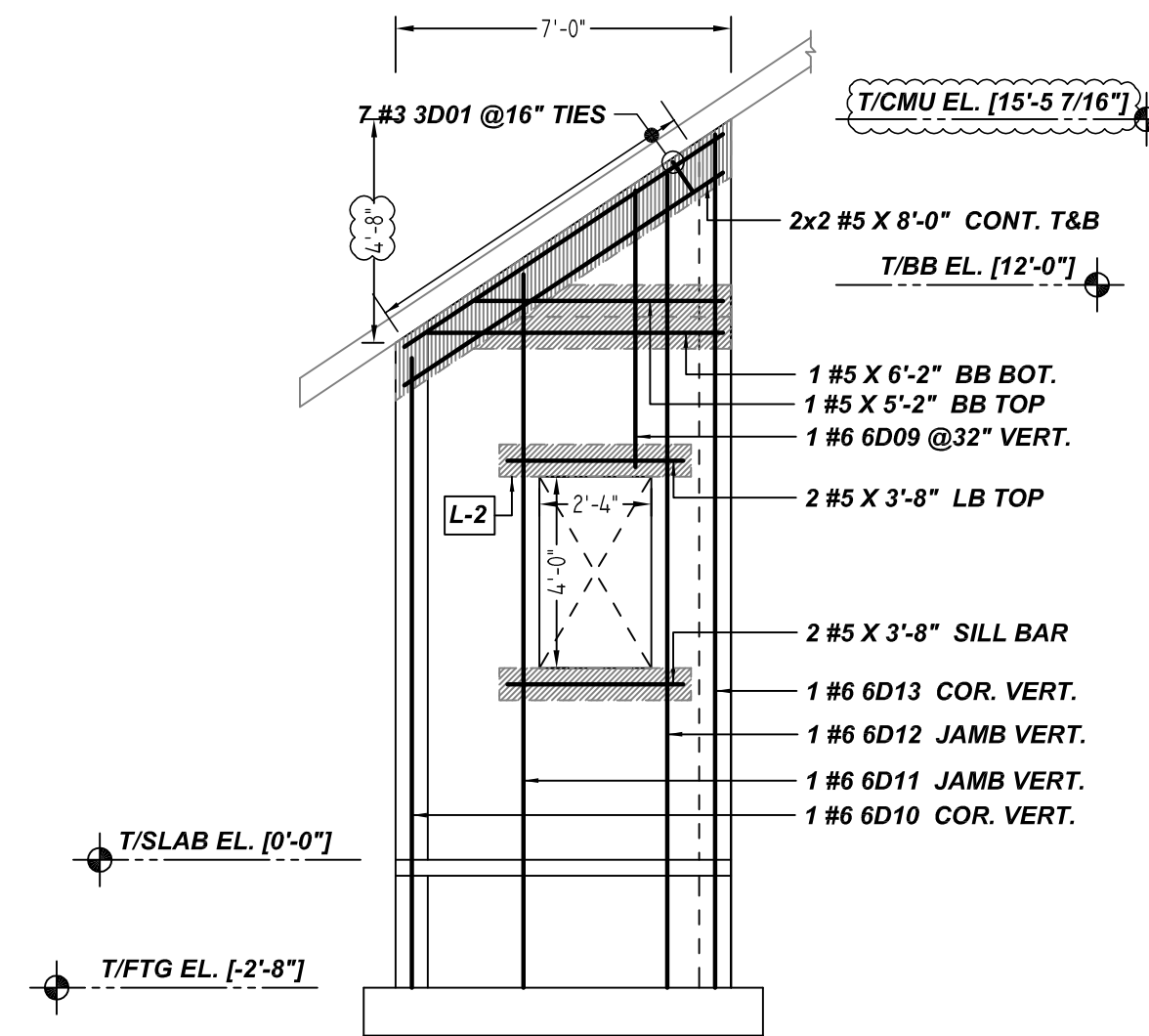
AA ELEVATION
SCALE - 1/4"=1'-0"
REF-S-1.01



AB ELEVATION
SCALE - 1/4"=1'-0"
REF-S-1.01

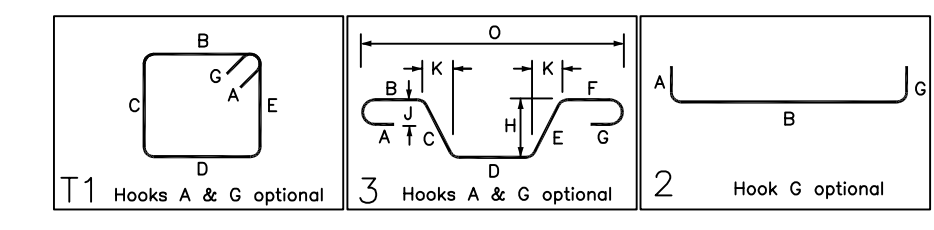


AC ELEVATION
SCALE - 1/4"=1'-0"
REF-S-1.01



AD ELEVATION
SCALE - 1/4"=1'-0"
REF-S-1.01

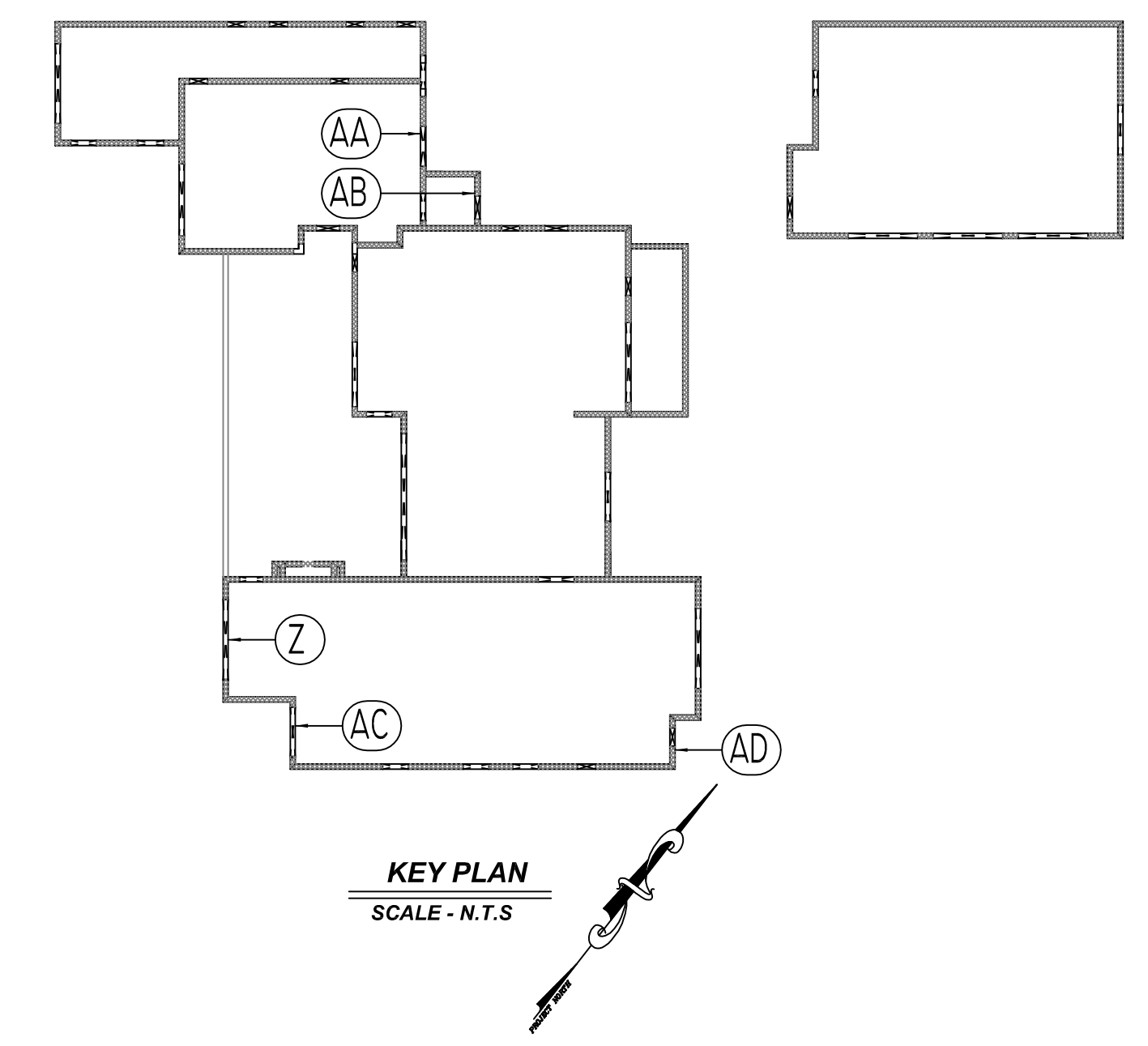
Release Number: R13		BENDING DETAILS											
Bar Mark	Qty	Size	Total Length	Type	X	Y	Z	V	W	U	T	S	R
3001	59	#3	3'-0"	T1	0'-4"	0'-5"	0'-9"	0'-5"	0'-9"	0'-4"			
3003	4	#5	4'-11 1/2"	J								2'-3 1/2"	0'-10 1/2"
6001	1	#6	5'-8"	2	1'-0"	3'-8"							
6003	1	#6	7'-11 1/2"	2	1'-0"	5'-11 1/2"							
6004	3	#6	16'-5 1/2"	2	1'-0"	15'-5 1/2"							
6009	1	#6	7'-10 1/2"	2	1'-0"	5'-10 1/2"							
6010	1	#6	14'-2"	2	1'-0"	13'-2"							
6011	2	#6	15'-11"	2	1'-0"	14'-11"							
6012	1	#6	18'-0"	2	1'-0"	17'-0"							
6013	1	#6	18'-10"	2	1'-0"	17'-10"							
6023	1	#6	8'-5"	2	1'-0"	8'-5"							
6024	1	#6	4'-11 1/2"	2	1'-0"	4'-11 1/2"							
6025	1	#6	17'-1 1/2"	2	1'-0"	16'-1 1/2"							
6028	1	#6	21'-9"	2	1'-0"	20'-9"							
6027	1	#6	22'-2"	2	1'-0"	21'-2"							
6028	2	#6	7'-8"	2	1'-0"	5'-8"							
6029	1	#6	14'-9"	2	1'-0"	13'-9"							
6030	2	#6	15'-5"	2	1'-0"	14'-5"							
6031	1	#6	7'-4"	2	1'-0"	5'-4"							
6032	1	#6	6'-5"	2	1'-0"	5'-5"							
6033	1	#6	9'-1 1/2"	2	1'-0"	8'-1 1/2"							
6034	1	#6	10'-4"	2	1'-0"	9'-4"							
6035	1	#6	10'-8"	2	1'-0"	9'-8"							
6036	1	#6	12'-5"	2	1'-0"	11'-5"							
6037	1	#6	7'-1 1/2"	2	1'-0"	5'-1 1/2"							
6038	1	#6	8'-9"	2	1'-0"	6'-9"							
6039	1	#6	14'-1 1/2"	2	1'-0"	13'-1 1/2"							
6040	1	#6	5'-1 1/2"	2	1'-0"	3'-1 1/2"							
6041	1	#6	11'-2"	2	1'-0"	10'-2"							
6057	1	#6	9'-8"	2	1'-0"	7'-8"							
6058	1	#6	8'-1 1/2"	2	1'-0"	6'-1 1/2"							
6059	2	#6	17'-11"	2	1'-0"	16'-11"							
6067	2	#6	5'-10"	2	1'-0"	4'-10"							
6068	2	#6	15'-0"	2	1'-0"	14'-0"							
60117	2	#6	4'-10"	2	1'-0"	3'-10"							



LAP SCHEDULE

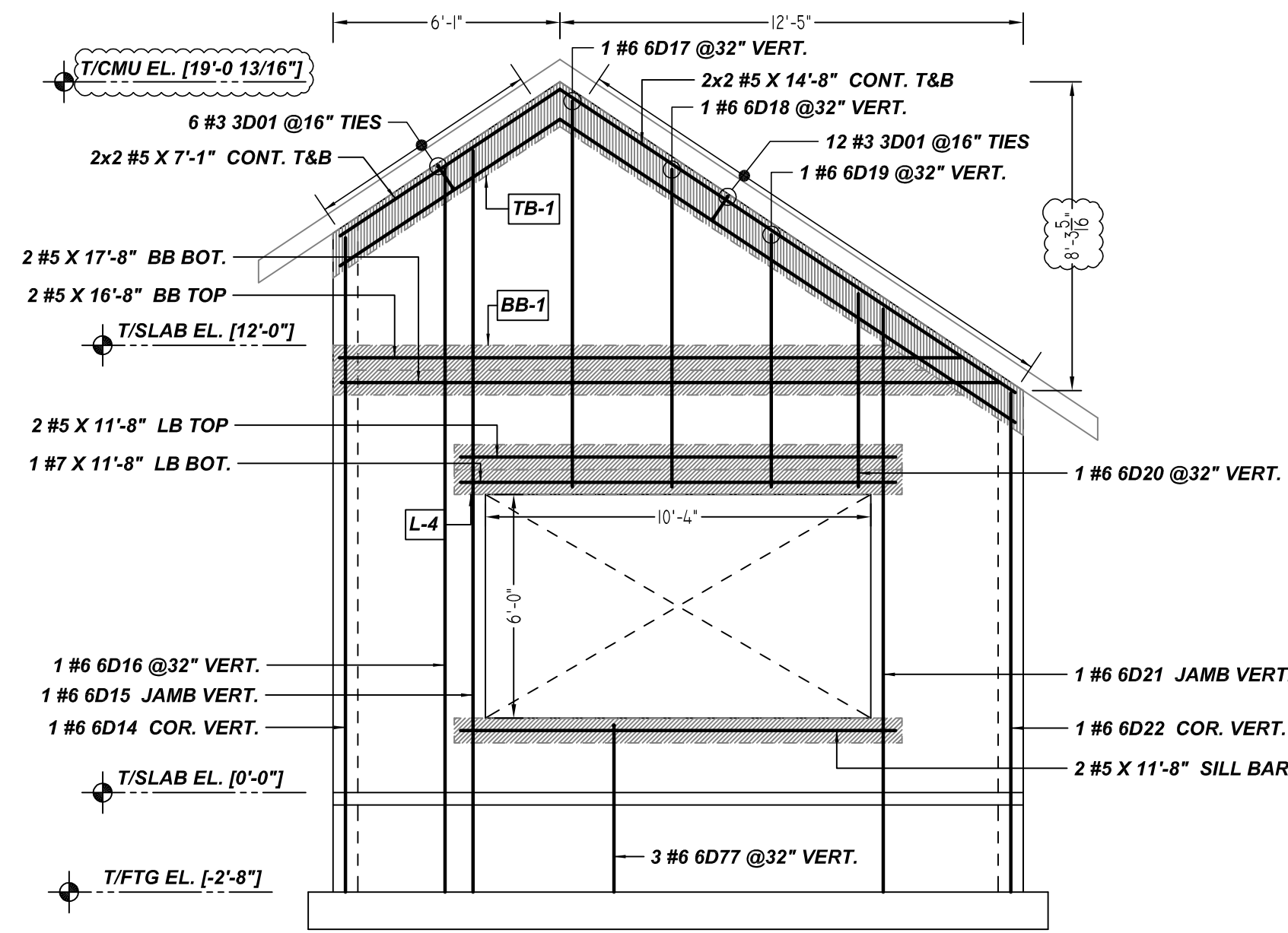
SIZE	48 Ø LAP
#3	18"
#4	24"
#5	30"
#6	36"
#7	42"
#8	48"
#9	55"
#10	61"
#11	68"

**ALL BARS IN THIS DRAWING
ASTM A615 GRADE 60
BLACK UNCOATED**

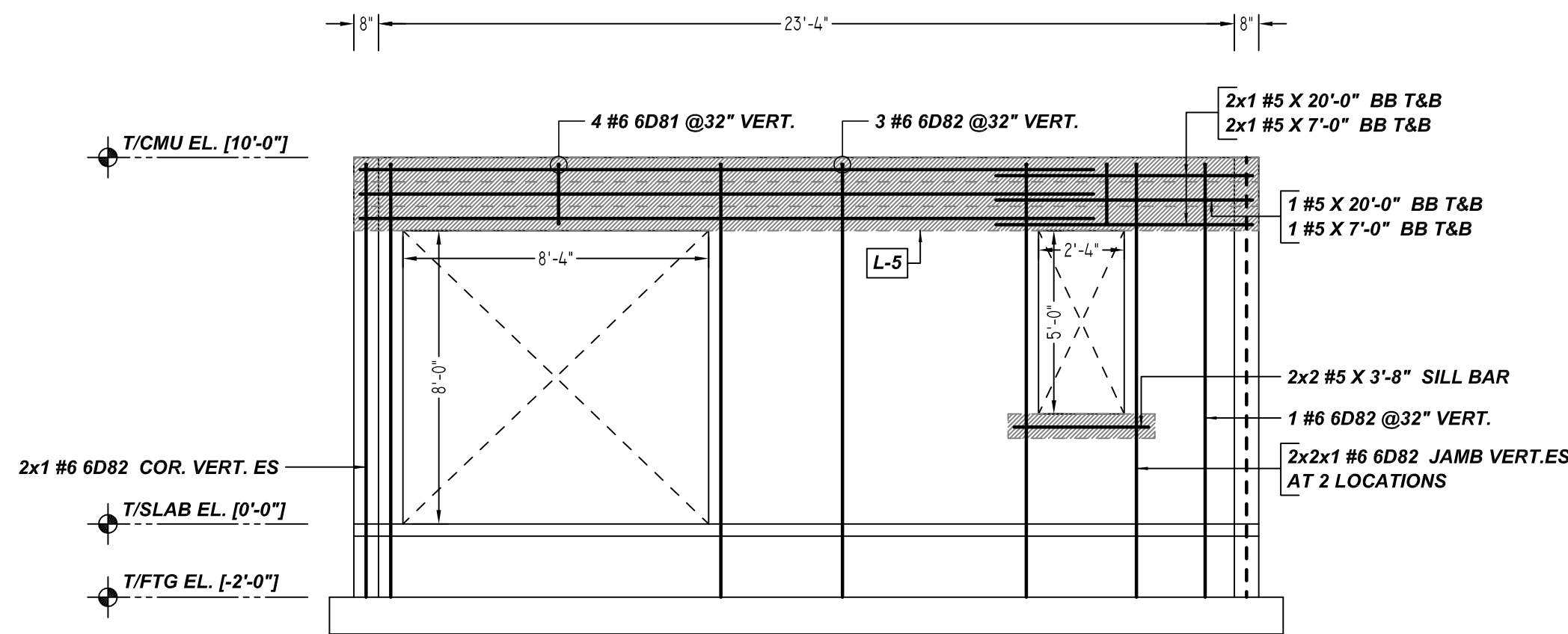


KEY PLAN
SCALE - N.T.S

GRADE	60 A615	PRINT RECORD	
PREFIX		NO.	TO FOR DATE
BAR LIST NOS.			
MK	REVISION	DATE	
0	FOR APPROVAL	10/28/21	
CMU WALL REINFORCEMENT DETAILS			
CUSTOMER MR. AND MRS. DARREN AND PAIGE RIOPELLE			
JOB RIOPELLE RESIDENCE SEAWALL'S POINT			
LOCATION 79 S RIVER ROAD SEAWALL'S POINT, FL 34996			
DRAWN	DATE	CONTROL CODE	DWG. NO.
AND/MET	10/28/2021	-	R13



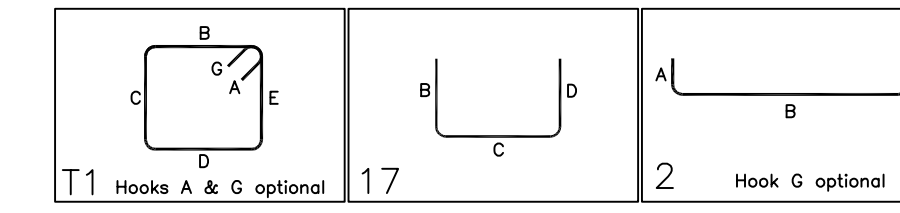
AE ELEVATION
SCALE - 1/4"=1'-0"
REF:S-1.01



AF ELEVATION
SCALE - 1/4"=1'-0"
REF:S-1.01

Release Number: R14

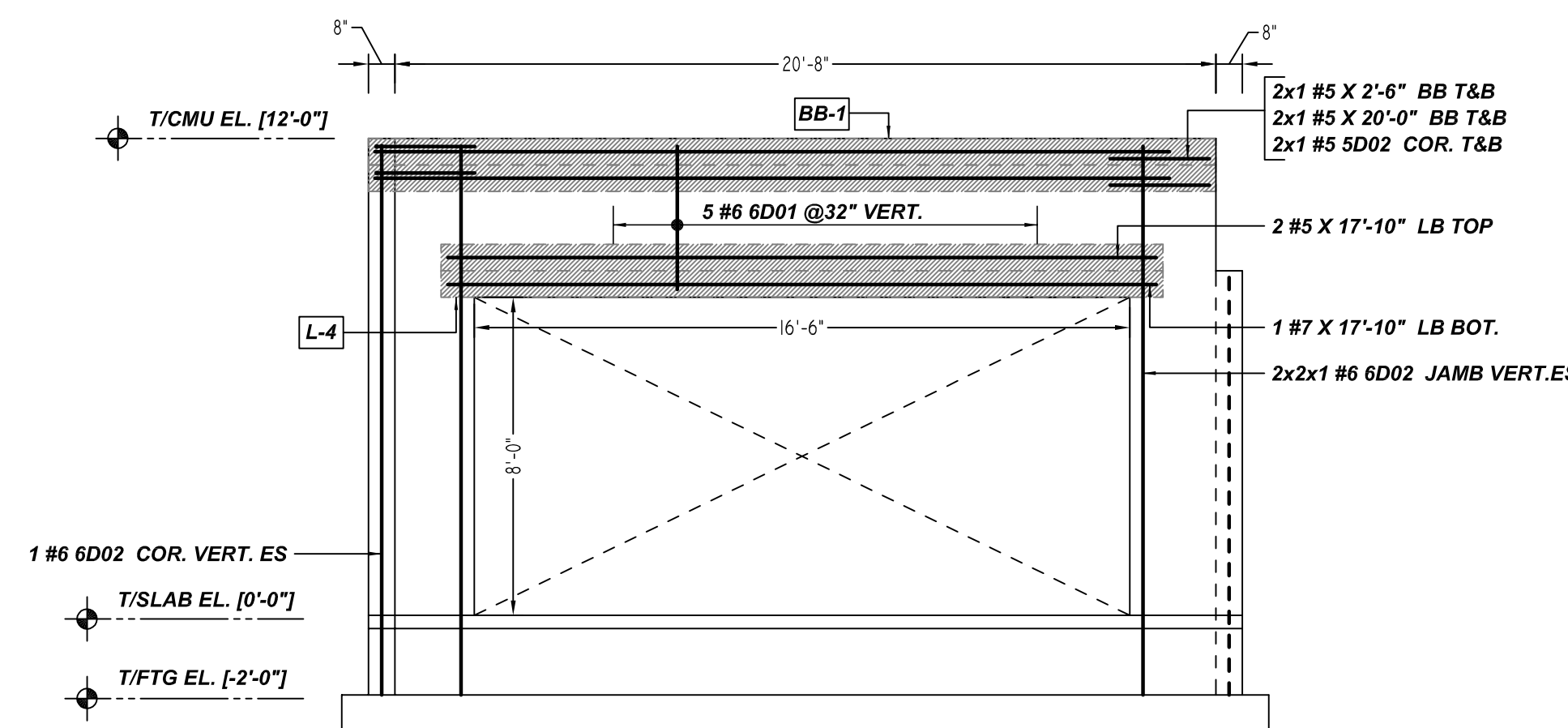
Bar Mark	Qty	Size	Total Length	Type	X	Y	Z	W	V	U	T	S	R	Q	P
3001	18	#3	3'-0"	11	0'-4"	0'-5"	0'-5"	0'-9"							
5002	2	#5	5'-0"	17	2'-4"	2'-4"	2'-4"	0'-4"							
6001	5	#6	5'-8"	2	1'-0"	3'-8"									
6002	5	#6	14'-10"	2	1'-0"	15'-10"									
6014	1	#6	18'-7"	2	1'-0"	17'-7"									
6015	1	#6	20'-11"	2	1'-0"	19'-11"									
6016	1	#6	20'-5"	2	1'-0"	19'-5"									
6017	1	#6	12'-5"	2	1'-0"	10'-5"									
6018	1	#6	10'-7"	2	1'-0"	8'-7"									
6019	1	#6	8'-10"	2	1'-0"	6'-10"									
6020	1	#6	7'-3"	2	1'-0"	5'-3"									
6021	1	#6	16'-8"	2	1'-0"	15'-8"									
6022	1	#6	14'-5"	2	1'-0"	13'-5"									
6067	4	#5	5'-10"	2	1'-0"	4'-10"									
6077	3	#6	3'-4"	2	1'-0"	4'-4"									
6281	9	#6	3'-8"	2	1'-0"	1'-8"									
6082	18	#6	12'-10"	2	1'-0"	11'-10"									
6083	1	#6	6'-10"	2	1'-0"	5'-10"									



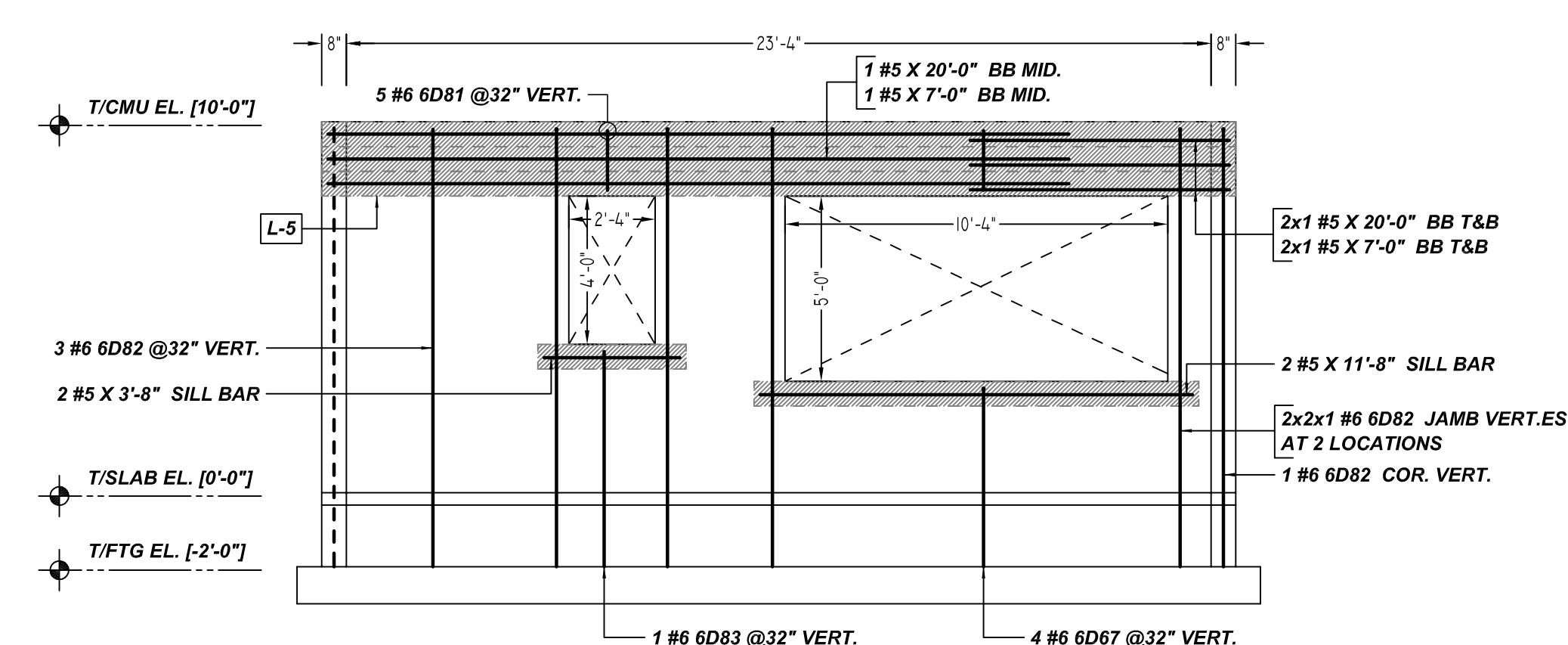
LAP SCHEDULE

SIZE	48 Ø LAP
#3	18"
#4	24"
#5	30"
#6	36"
#7	42"
#8	48"
#9	55"
#10	61"
#11	68"

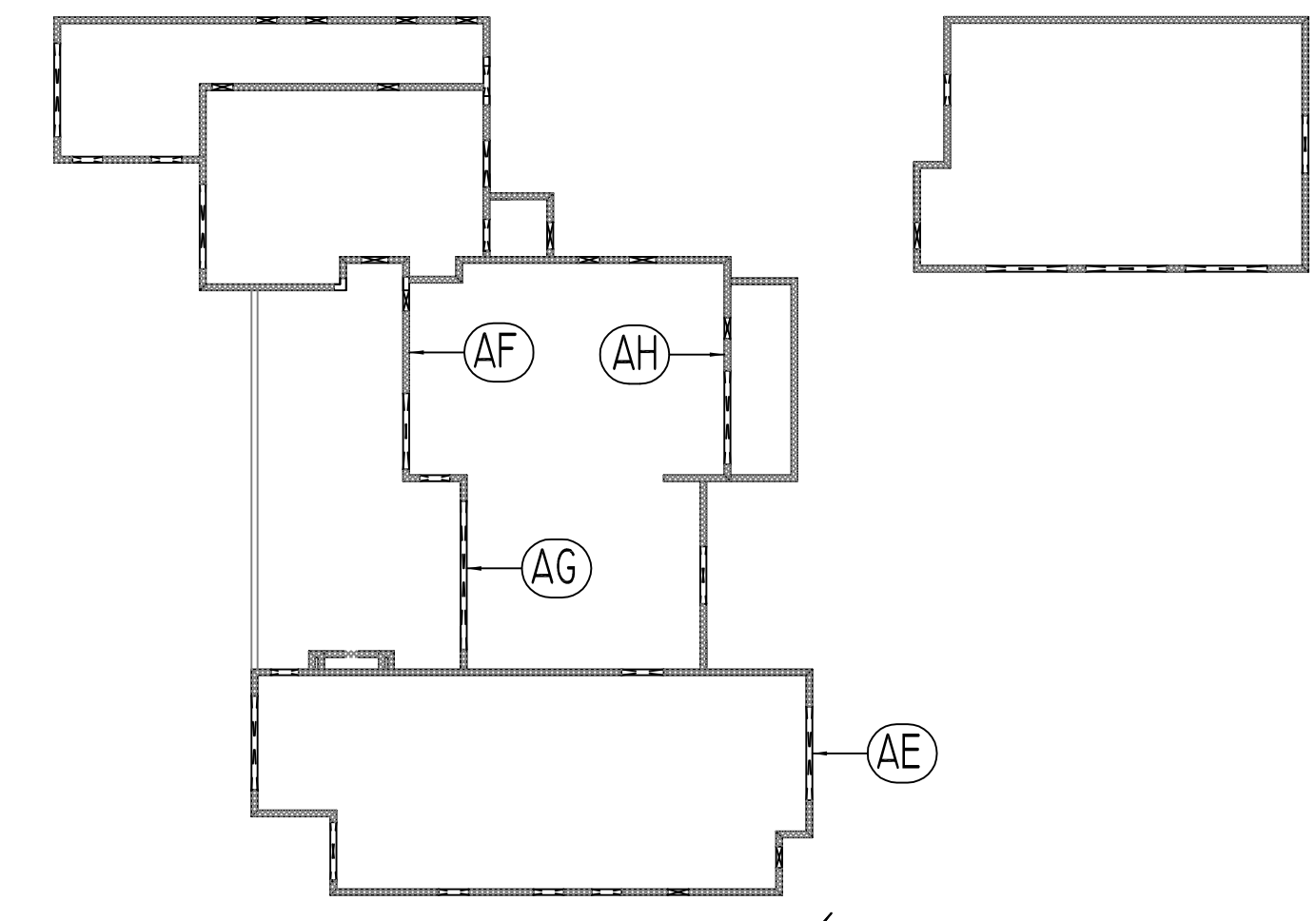
**ALL BARS IN THIS DRAWING
ASTM A615 GRADE 60
BLACK UNCOATED**



AG ELEVATION
SCALE - 1/4"=1'-0"
REF:S-1.01

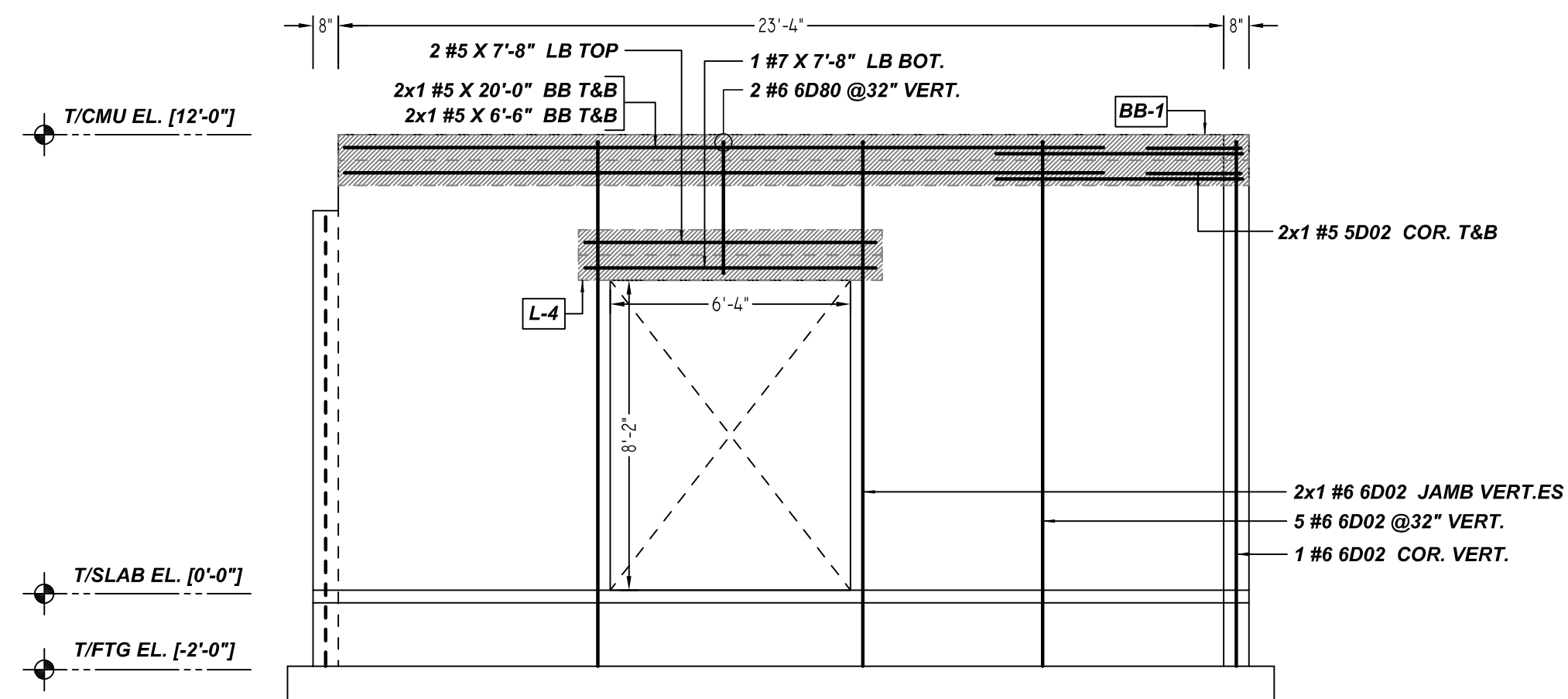


AH ELEVATION
SCALE - 1/4"=1'-0"
REF:S-1.01

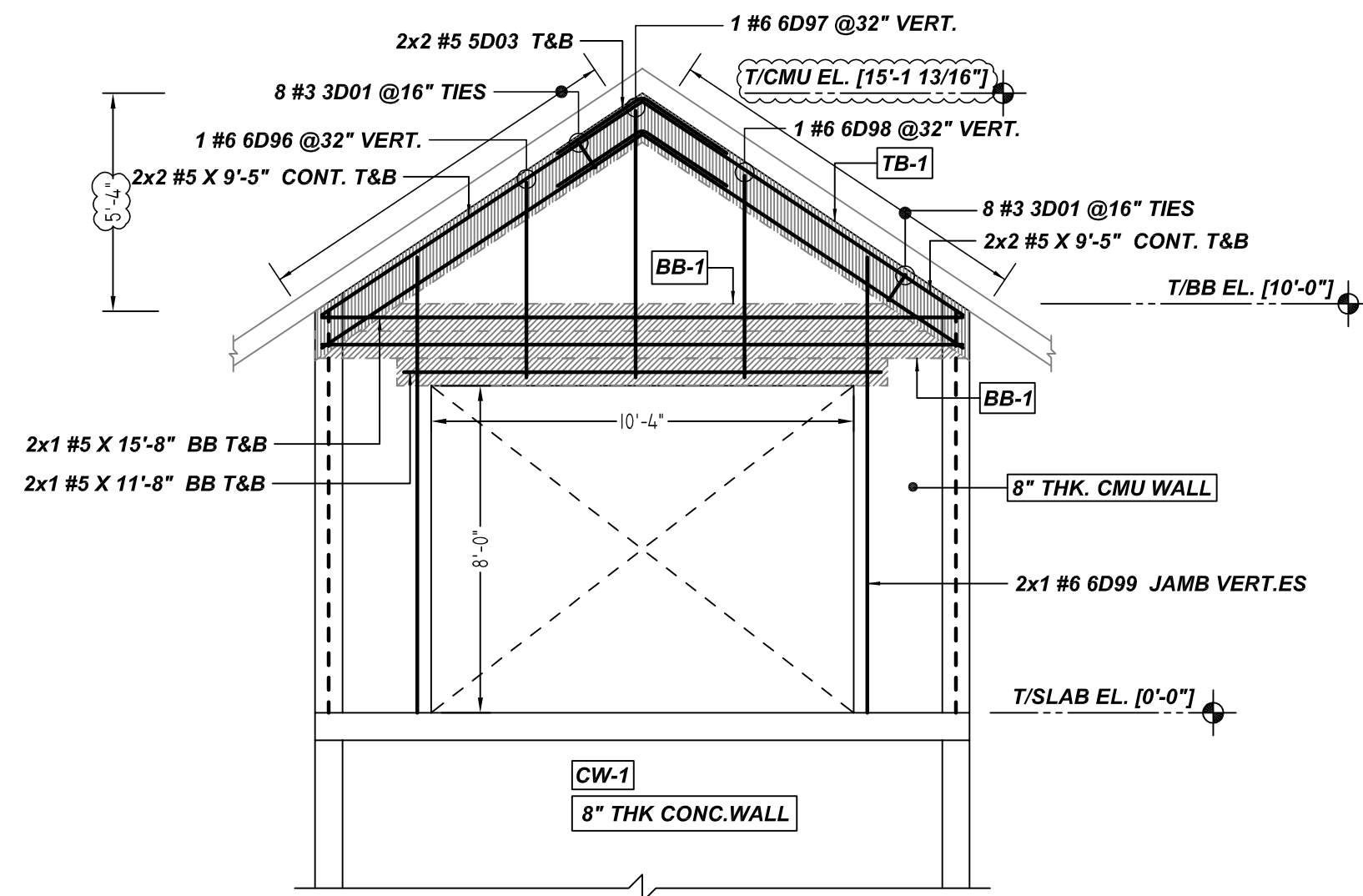


KEY PLAN
SCALE - N.T.S

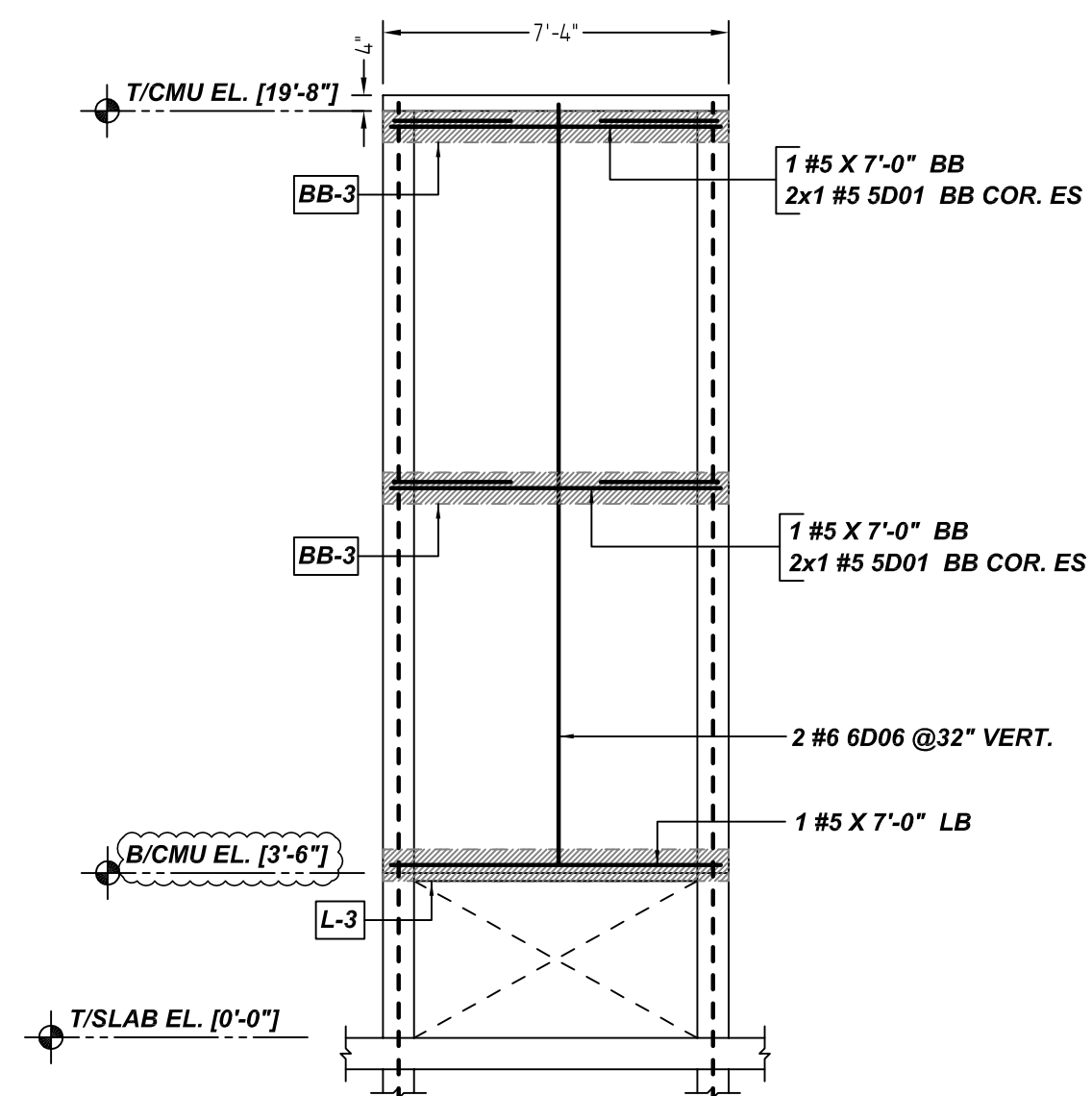
GRADE	60 A615	PRINT RECORD		CMU WALL REINFORCEMENT DETAILS CUSTOMER MR. AND MRS. DARREN AND PAIGE RIOPELLE JOB RIOPELLE RESIDENCE SEAWALL'S POINT LOCATION 79 S RIVER ROAD SEAWALL'S POINT, FL 34996
PREFIX		NO.	TO FOR DATE	
BAR LIST NOS.		MK	REVISION DATE	DRAWN DATE CONTROL CODE DWG. NO.
		0	FOR APPROVAL 10/28/21	AND/MET 10/28/2021 - R14



AJ
ELEVATION
SCALE - 1/4"=1'-0"
REF:S-1.01

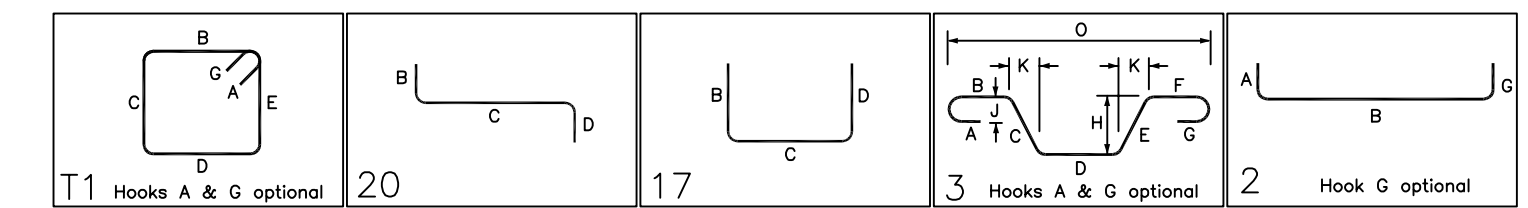


AK
ELEVATION
SCALE - 1/4"=1'-0"
REF:S-1.01



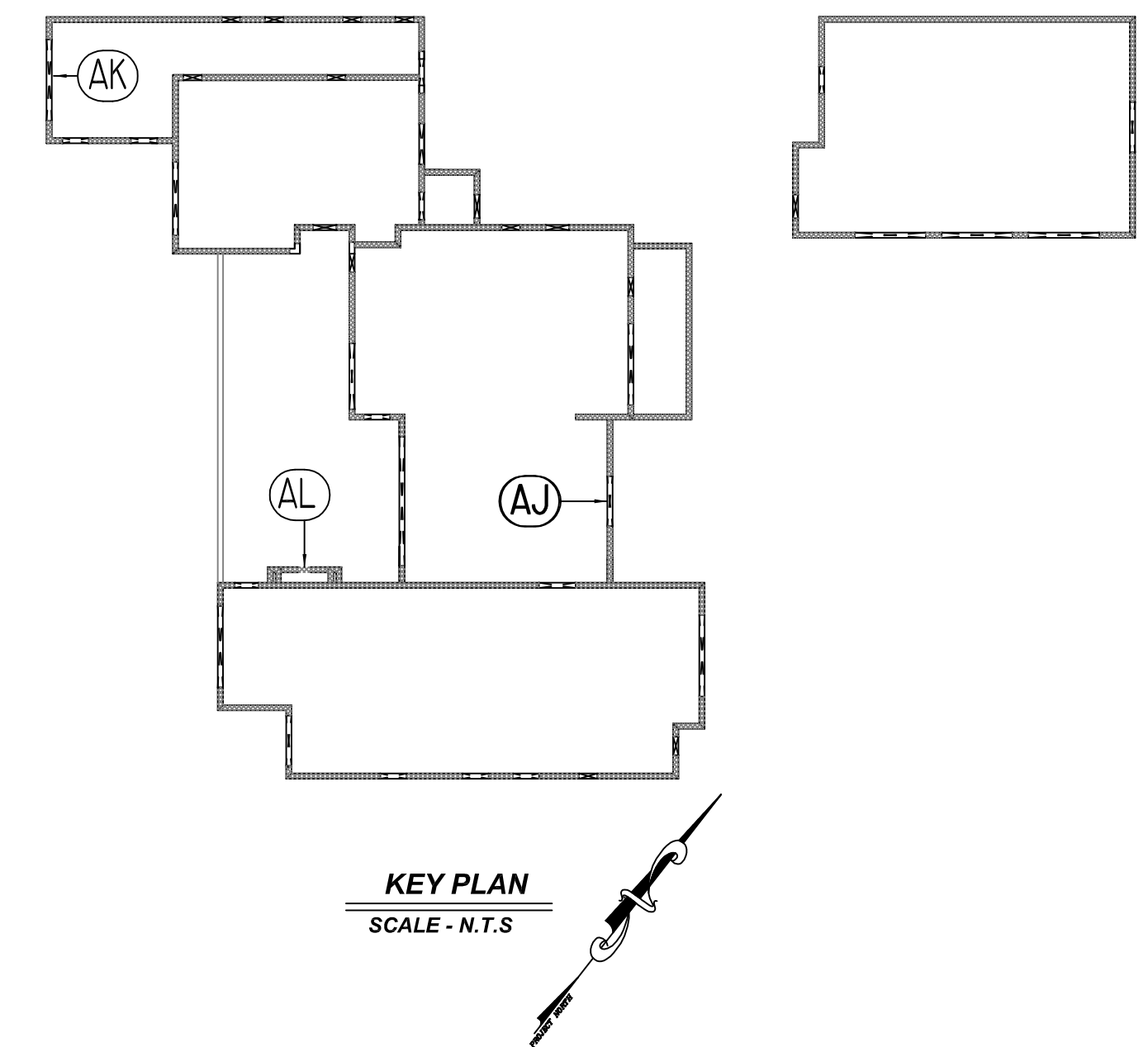
AL
ELEVATION
SCALE - 1/4"=1'-0"
REF:S-1.01

Bar Mark	Qty	Size	Total Length	Type	BENDING DETAILS													
					X	Y	Z	W	V	U	T	S	R	Q	P			
3001	16	#3	3'-0"	T1	0'-4"	0'-5"	0'-9"	0'-5"	0'-9"	0'-4"								
3001	4	#5	7'-4"	20														
3002	2	#5	5'-3"	17														
3003	4	#5	4'-11"	3														
6002	8	#6	14'-10"	2	1'-0"	13'-10"												
6006	2	#6	18'-2"	2	1'-0"	16'-2"												
6080	2	#6	5'-8"	2	1'-0"	3'-8"												
6086	1	#6	6'-10"	2	1'-0"	4'-10"												
6087	1	#6	8'-7"	2	1'-0"	6'-7"												
6088	1	#6	7'-0"	2	1'-0"	5'-0"												
6089	2	#6	12'-2"	2	1'-0"	11'-2"												



**ALL BARS IN THIS DRAWING
ASTM A615 GRADE 60
BLACK UNCOATED**

SIZE	48 Ø LAP
#3	18"
#4	24"
#5	30"
#6	36"
#7	42"
#8	48"
#9	55"
#10	61"
#11	68"



GRADE	60 A615		
PREFIX			
BAR LIST NOS.		PRINT RECORD	
		NO.	TO FOR DATE
MK	REVISION	DATE	
0	FOR APPROVAL	10/28/21	
CMU WALL REINFORCEMENT DETAILS		CUSTOMER MR. AND MRS. DARREN AND PAIGE RIOPELLE	
		JOB RIOPELLE RESIDENCE SEAWALL'S POINT	
		LOCATION 79 S RIVER ROAD SEAWALL'S POINT, FL 34996	
DRAWN	DATE	CONTROL CODE	DWG. NO.
AND/MET	10/28/2021	-	R15