

PAD FOOTING SCHEDULE

MARK	QTY	SIZE	GRID LOCATION	REINFORCING	REMARK
F6.0	12	6'-0"x6'-0"x1'-6"	H.45/0.5, J.4/0.5, J.5/1, M.1/1, M.8/1, N.4/1, P.1/1, A.2.1, 2.5, 3.5 & 4.1	12x2x8 #6 X 5'-6" BOT.EW	SECTION 1/R07
F7.0	12	7'-0"x7'-0"x1'-6"	K.3/2.1, 3, 4.1, L.5/1, L.5/2.1, 3, 4.1, 5.1, M.8/2.1, 3, 4.1 & 5.1	12x2x9 #6 X 6'-6" BOT.EW	SECTION 1/R07
F8.0	3	8'-0"x8'-0"x1'-6"	H.3/6, J.5/5.1 & K.3/5.1	3x2x10 #6 X 7'-6" BOT.EW	SECTION 1/R07
F10.0	4	10'-0"x10'-0"x1'-6"	H.7/1, 5.1, M/6 & N/6	4x2x12 #6 X 9'-6" BOT.EW	SECTION 1/R07
F11.0	1	11'-0"x11'-0"x2'-0"	H.7/2.1	2x13 #6 X 10'-6" BOT.EW	SECTION 1/R07

A/E PLEASE VERIFY REINFORCEMENT FOLLOWED

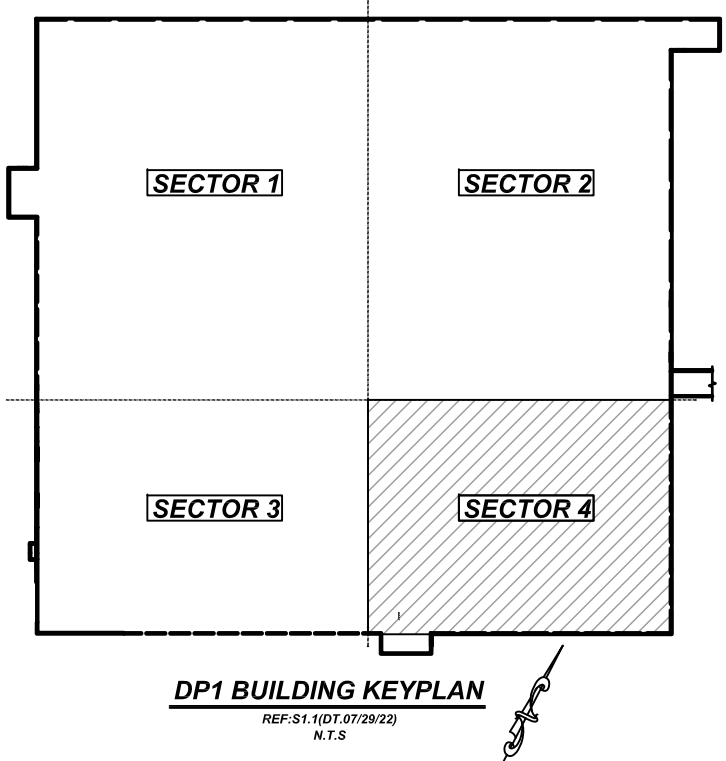
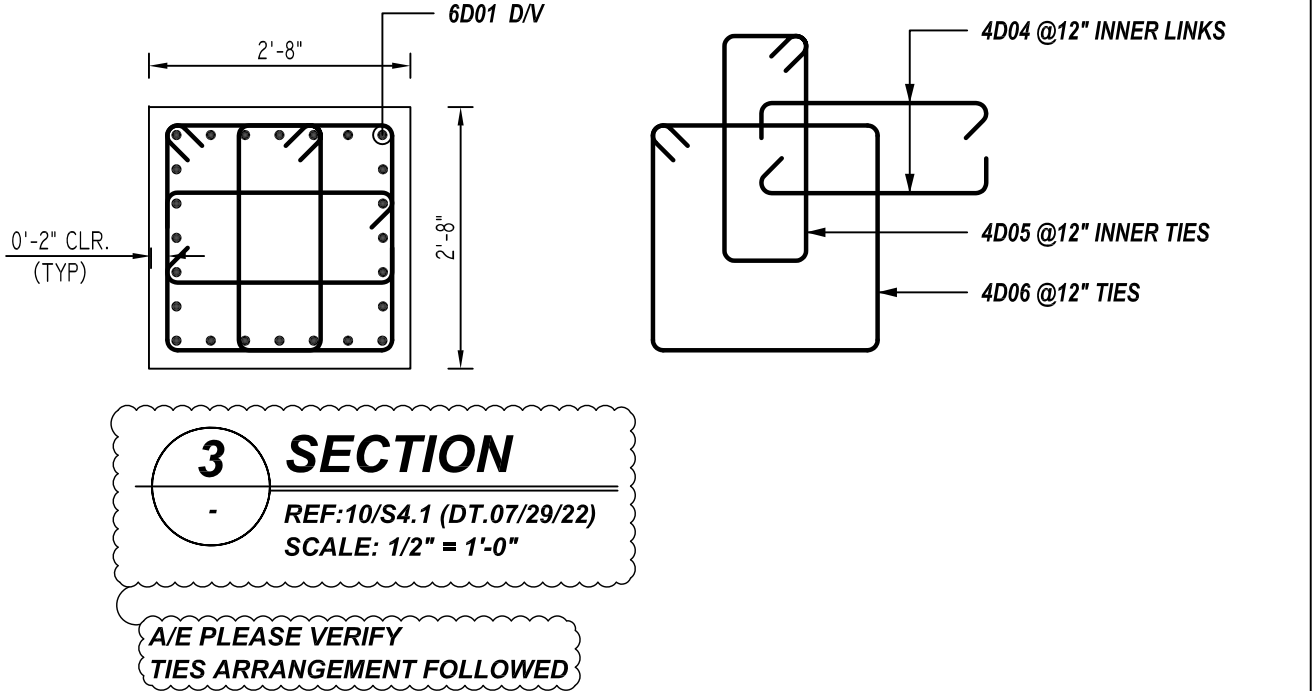
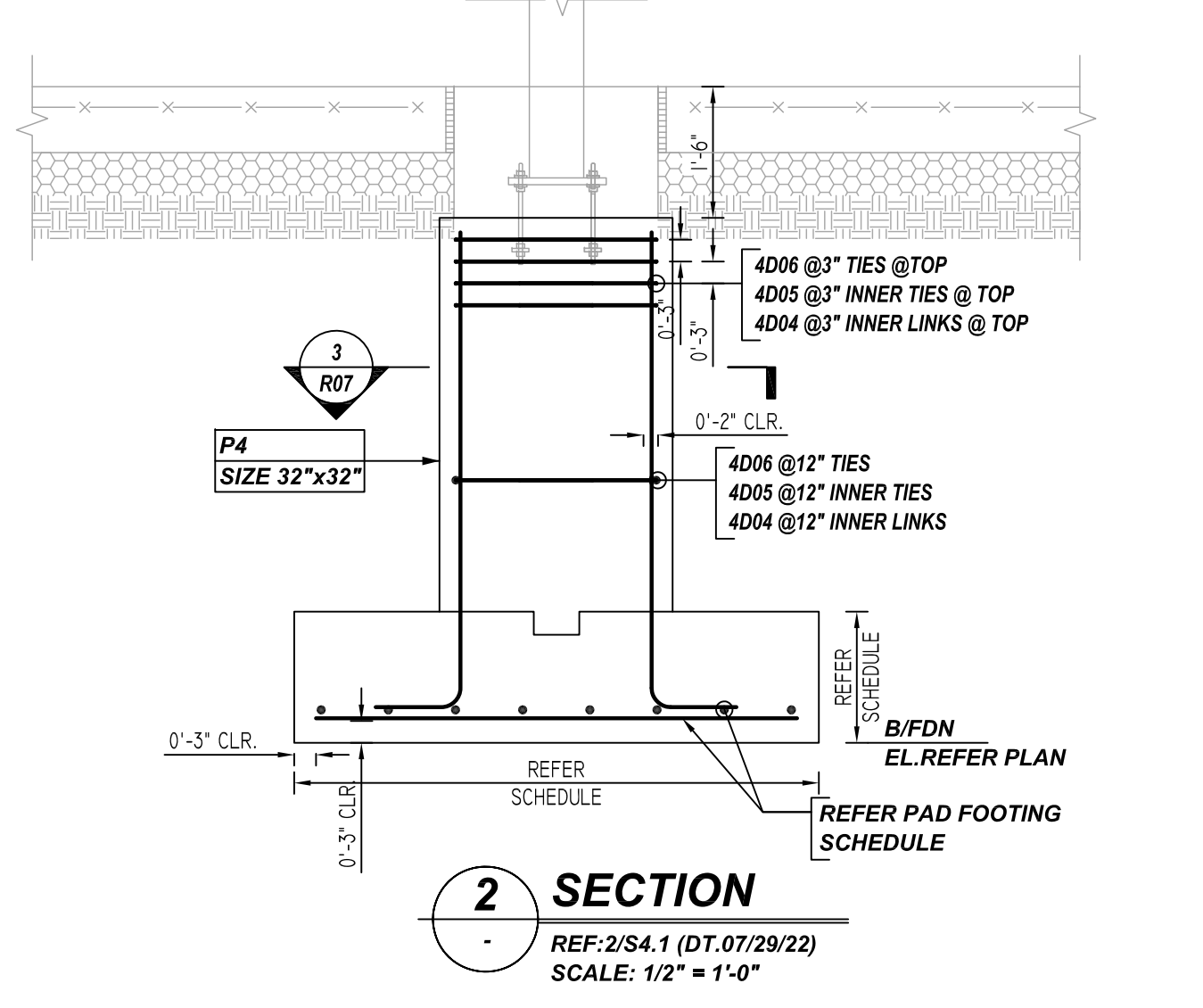
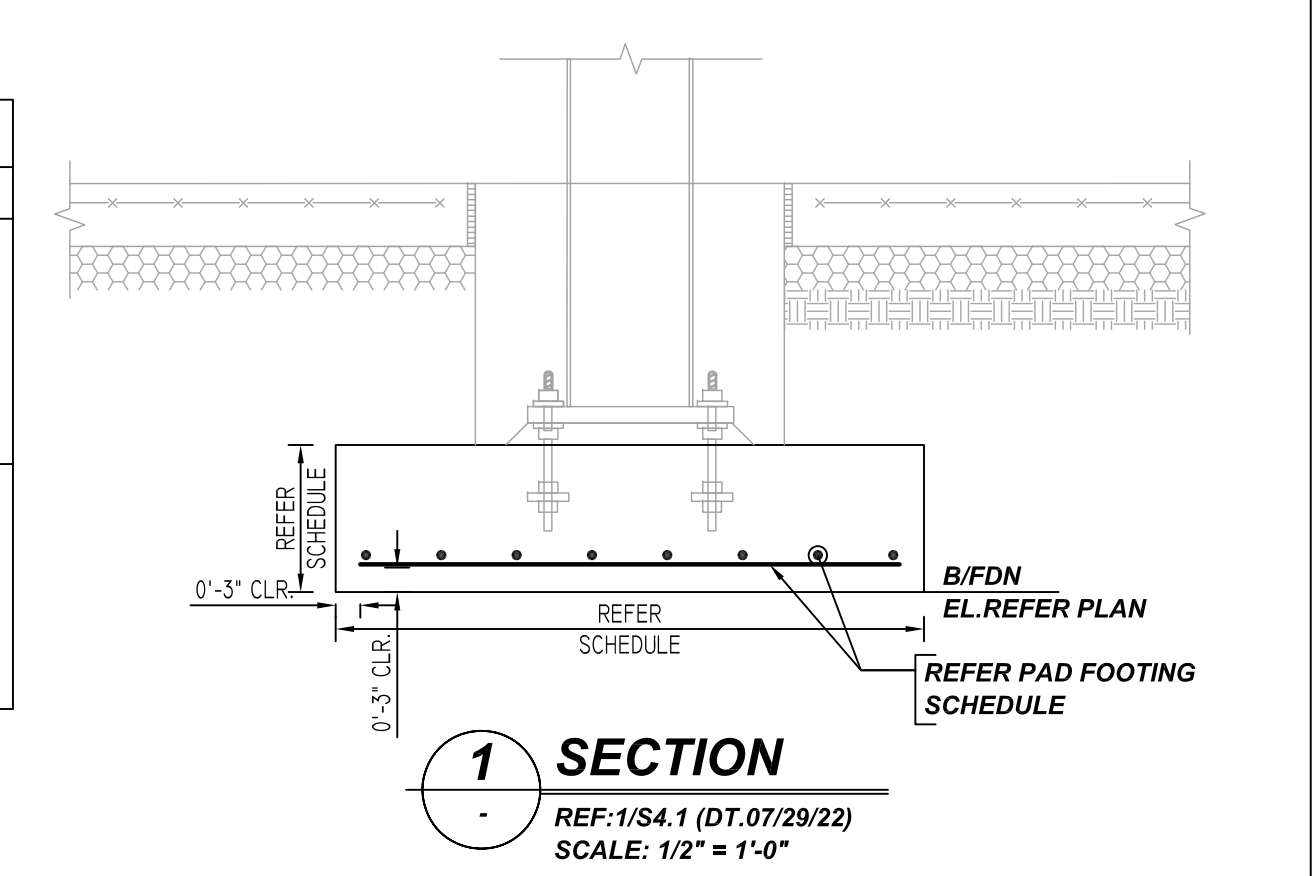
PIER SCHEDULE

MARK	QTY	SIZE	GRID LOCATION	VERTS	TIES & ADD'L TIES	REMARK
P4	1	32"x32"	J.5/1	24 #6 6D01 DIV	4 #4 4D06 @12" TIES 4 #4 4D05 @12" INNER TIES 2x4 #4 4D04 @12" INNER LINKS 4 #4 4D06 @3" TIES @TOP 4 #4 4D05 @3" INNER TIES @ TOP 2x4 #4 4D04 @3" INNER LINKS @ TOP	SECTION 2/R07
P4A	1	32"x32"	N.4/1	24 #6 6D02 DIV	2 #4 4D06 @12" TIES 2 #4 4D05 @12" INNER TIES 2x2 #4 4D04 @12" INNER LINKS 4 #4 4D06 @3" TIES @TOP 4 #4 4D05 @3" INNER TIES @ TOP 2x4 #4 4D04 @3" INNER LINKS @ TOP	SECTION 2/R07

NOTICE

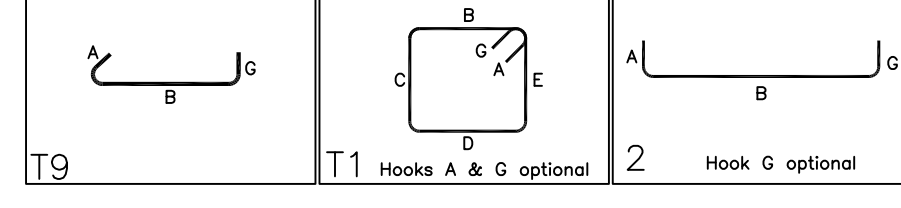
SHORTAGES, IMPROPER FABRICATION OR CLAIMS FOR ANY OTHER REASON MUST BE REPORTED TO THIS COMPANY WITHIN 10 DAYS FROM ORIGINAL DELIVERY. THIS COMPANY ALSO RESERVES THE RIGHT TO FIELD INSPECT MATERIALS PRIOR TO REPLACEMENT OR RECONDITIONING OF MATERIALS AND WILL NOT BE LIABLE FOR CHARGES FROM WORK DONE IN THE FIELD WITHOUT PRIOR AUTHORIZATION FROM THIS COMPANY.

REINFORCING STEEL PLACING DRAWING ONLY USE IN CONJUNCTION WITH CONTRACT DRAWINGS & SPECIFICATIONS. ELEVATIONS & DIMENSIONS SHOWN ON DRAWING ARE FOR DETAILING PURPOSES ONLY AND SHOULD NOT BE USED FOR CONSTRUCTION UNLESS VERIFIED BY ENGINEER OR CONTRACTOR.



Release Number: R07

Bar Mark	Qty	Size	Total Length	Type	X	Y	Z	W	V	U	T	S	R	Q	P	O	N	M	L	K	J	I	H	G	F	E	D	C	B	A	
404	28	#4	3'-1"	19	0'-4 1/2"	2'-4"																									
405	14	#4	7'-2"	11	0'-4 1/2"	0'-10 1/2"	2'-4"	2'-4"	2'-4"	2'-4"																					
406	14	#4	10'-1"	11	0'-4 1/2"	2'-4"	2'-4"	2'-4"	2'-4"																						
6001	24	#6	6'-5 1/2"	2	1'-0"	5'-5 1/2"																									
6002	24	#6	4'-5 1/2"	2	1'-0"	3'-5 1/2"																									



ALL BARS IN THIS DRAWING
ASTM A615 GRADE 60
BLACK UNCOATED

DP-1 BUILDING SECTOR 4 PAD FOOTING REINFORCEMENT DETAILS
REF: S2.1.2 (DT.07/29/22)
SCALE: 1/12" = 1'-0"

REBAR GRADE 60 ASTM A-615

SPLICES USED

CLASS B 4,500 psi UNO

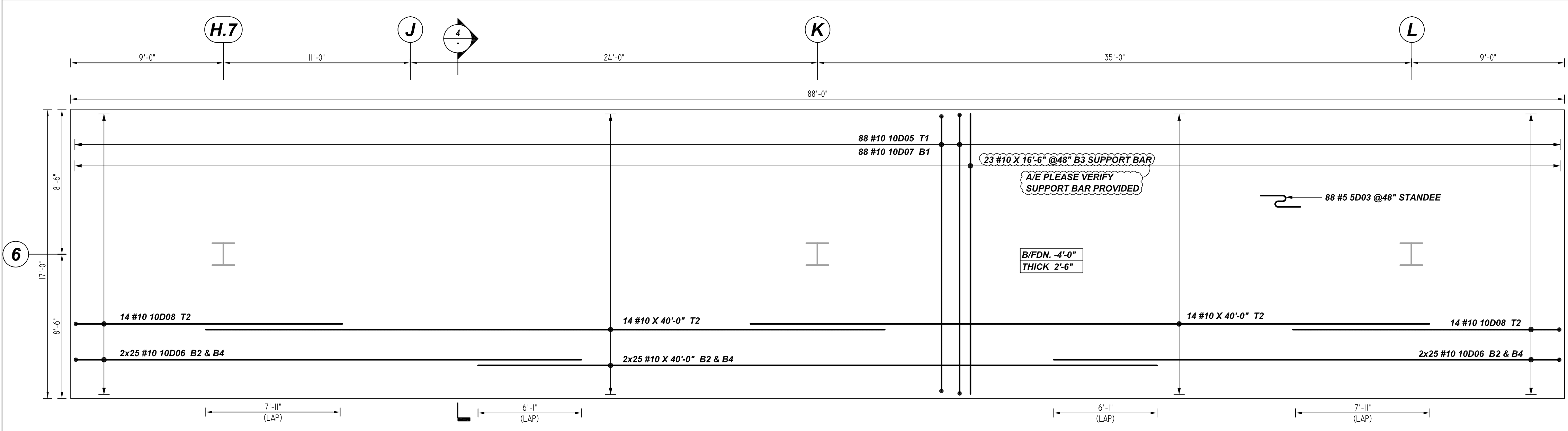
TOP BARS	OTHER BARS
#3 24"	#3 19"
#4 32"	#4 24"
#5 39"	#5 30"
#6 46"	#6 36"
#7 67"	#7 52"
#8 77"	#8 59"
#9 86"	#9 67"
#10 95"	#10 73"
#11 104"	#11 81"
#14	#14

ABBREVIATIONS	BAR MARK SIZE EQUIVALENT
ADD. = Additional	#3 #10
B.O.W. = Bottom of wall	#4 #13
C.B. = Corner Bars	#5 #16
DIAG. = Diagonal	#6 #19
D.O. = Door Opening	#7 #22
D.W.L.S. = Dowels	#8 #25
E.F. = Each Face	#9 #29
E.S. = Each Side	#10 #32
E.W. = Each Way	#11 #36
FTG. = Footing	
F.F. = Far Face	
HORIZ. = Horizontal	
I.F. = Inside Face	
INTERS. = Intersection	
L.W. = long Way	
N.F. = Near Face	
O.F. = Outside Face	
S.W. = Short Way	
T&B = Top & Bottom	
T.O.W. = Top of Wall	
Trans. = Transverse	
VERT. = Vertical	

STA PHARMACEUTICAL MIDDLETOWN EXPANSION DP-1
DP-1 BUILDING SECTOR 4 PAD FOOTING & PIER REINFORCEMENT DETAILS
MIDDLETOWN, DE 19709

CUSTOMER: -
DESIGNER: -
DRAWN BY: JSN/MET DATE: 08.08.22 JOB NO: - SHEET NO: R07

REV NO	DATE	APPROVAL	SENT FOR	REV NO	DATE	SENT FOR
0	08.08.22					



COMBINED FOOTING F88.0 X F17.0 REINFORCEMENT DETAILS

REF: S2.1.4 & 22/S4.1 (DT.07/29/22)
SCALE: 1/4" = 1'-0"

A/E PLEASE VERIFY REINFORCEMENT ARRANGEMENTS FOLLOWED.

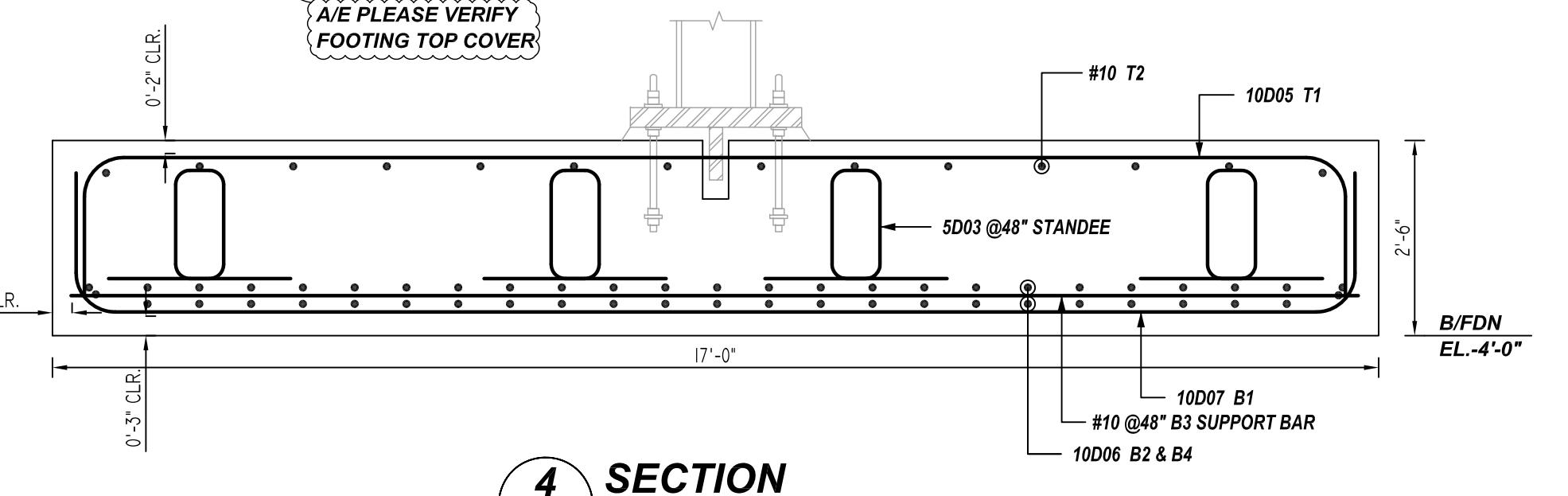
**ALL BARS IN THIS DRAWING
ASTM A615 GRADE 60
BLACK UNCOATED**

TYPICAL REINFORCING BAR CLEARANCE TABLE

LOCATION	MIN. COVER
FOOTING SIDE & BOTTOM	3" CLR
FOOTING TOP	2" CLR
PIER ALL SIDES	2" CLR

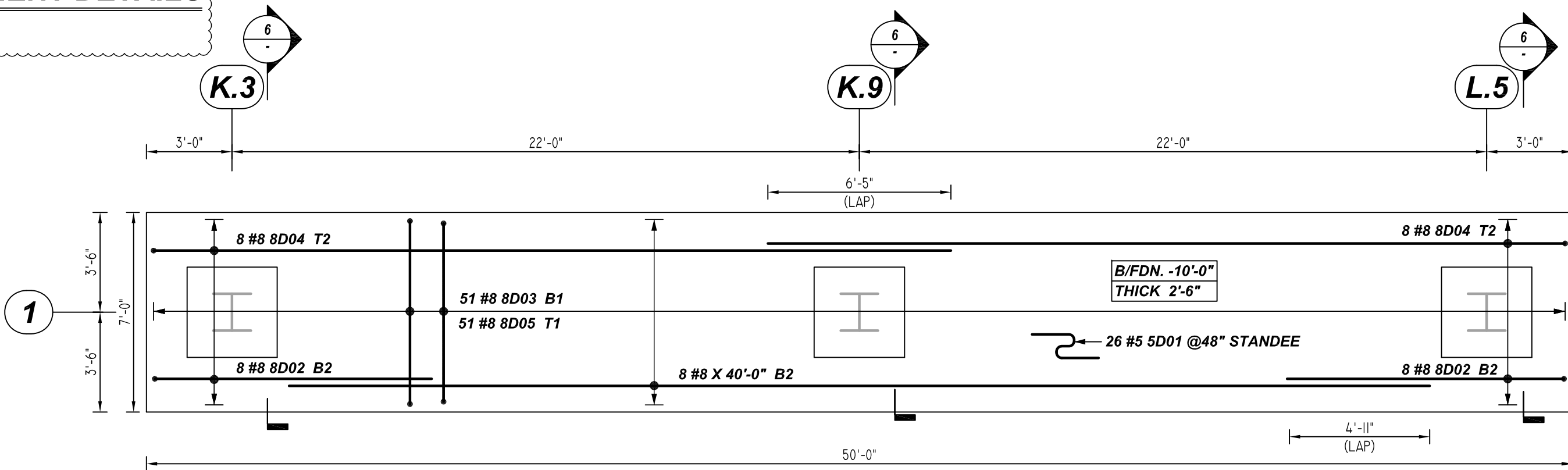
NOTICE
SHORTAGES, IMPROPER FABRICATION OR CLAIMS FOR ANY OTHER REASON MUST BE REPORTED TO THIS COMPANY WITHIN 10 DAYS FROM ORIGINAL DELIVERY. THIS COMPANY ALSO RESERVES THE RIGHT TO FIELD INSPECT MATERIALS PRIOR TO REPLACEMENT OR RECONDITIONING OF MATERIALS AND WILL NOT BE LIABLE FOR CHARGES FROM WORK DONE IN THE FIELD WITHOUT PRIOR AUTHORIZATION FROM THIS COMPANY.

REINFORCING STEEL PLACING DRAWING ONLY. USE IN CONJUNCTION WITH CONTRACT DRAWINGS & SPECIFICATIONS. ELEVATIONS & DIMENSIONS SHOWN ON DRAWING ARE FOR DETAILING PURPOSES ONLY AND SHOULD NOT BE USED FOR CONSTRUCTION UNLESS VERIFIED BY ENGINEER OR CONTRACTOR.



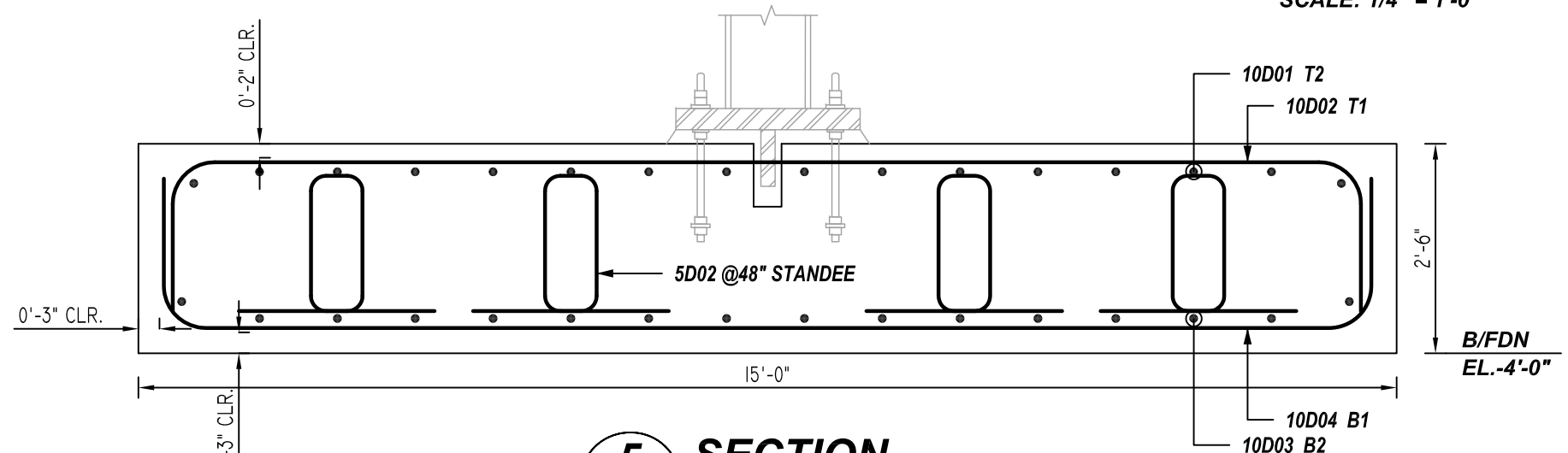
4 SECTION

REF: S2.1.2, 18/S4.1 & 1/S4.1 (DT.07/29/22)
SCALE: 1/2" = 1'-0"



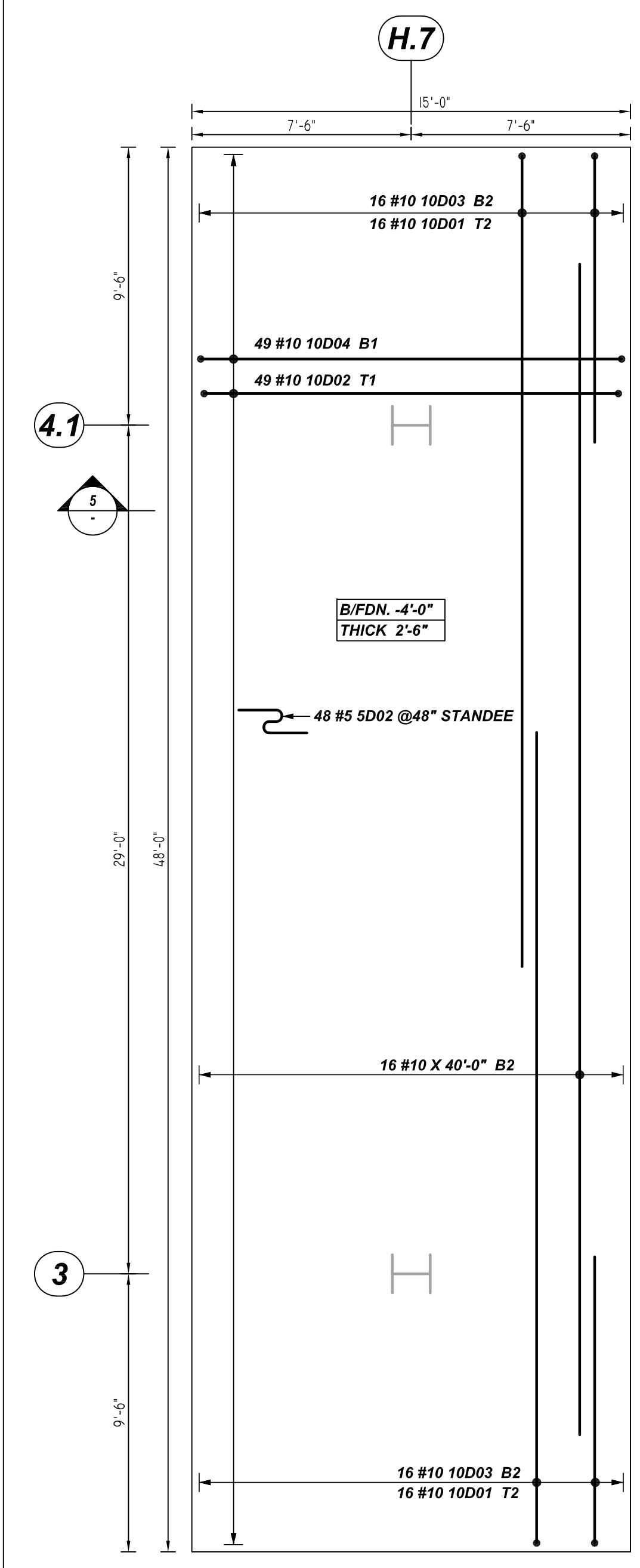
COMBINED FOOTING F50.0 X F7.0 REINFORCEMENT DETAILS

REF: S2.1.4 & 17/S4.1 (DT.07/29/22)
SCALE: 1/4" = 1'-0"



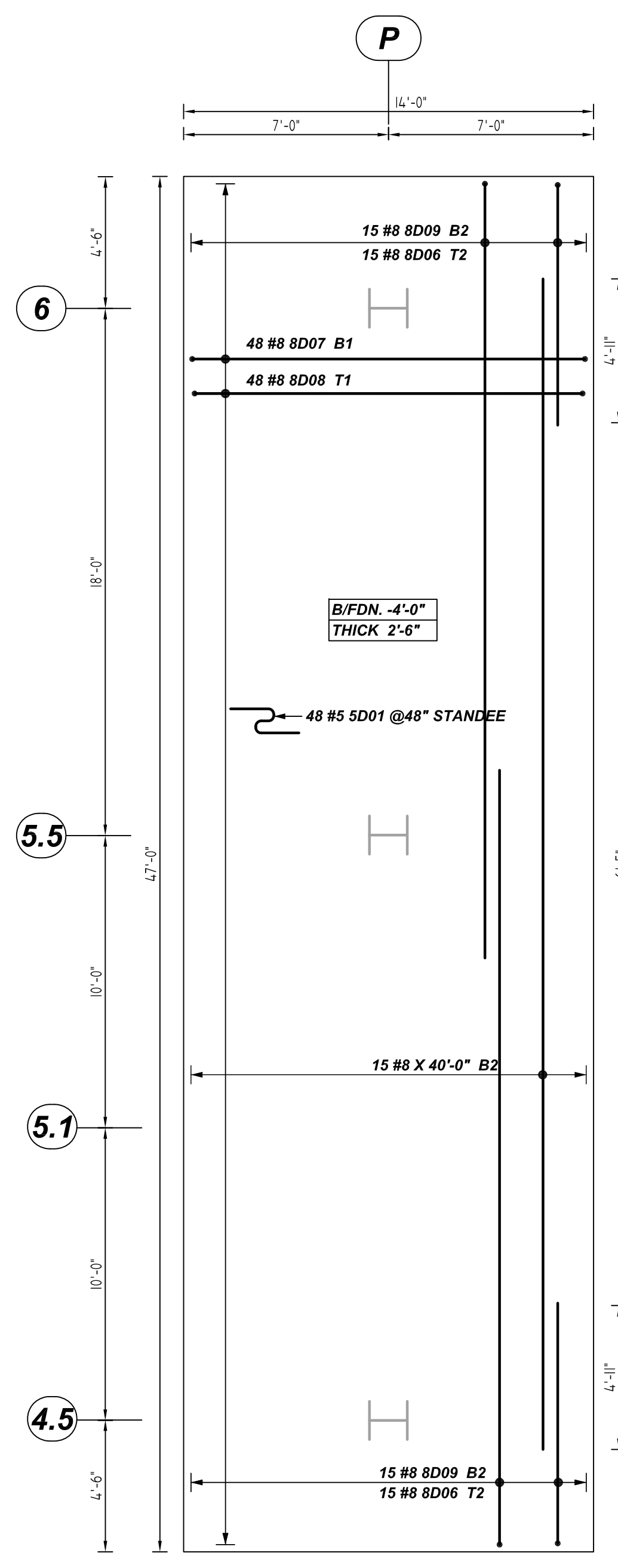
5 SECTION

REF: S2.1.2, 18/S4.1 & 1/S4.1 (DT.07/29/22)
SCALE: 1/2" = 1'-0"



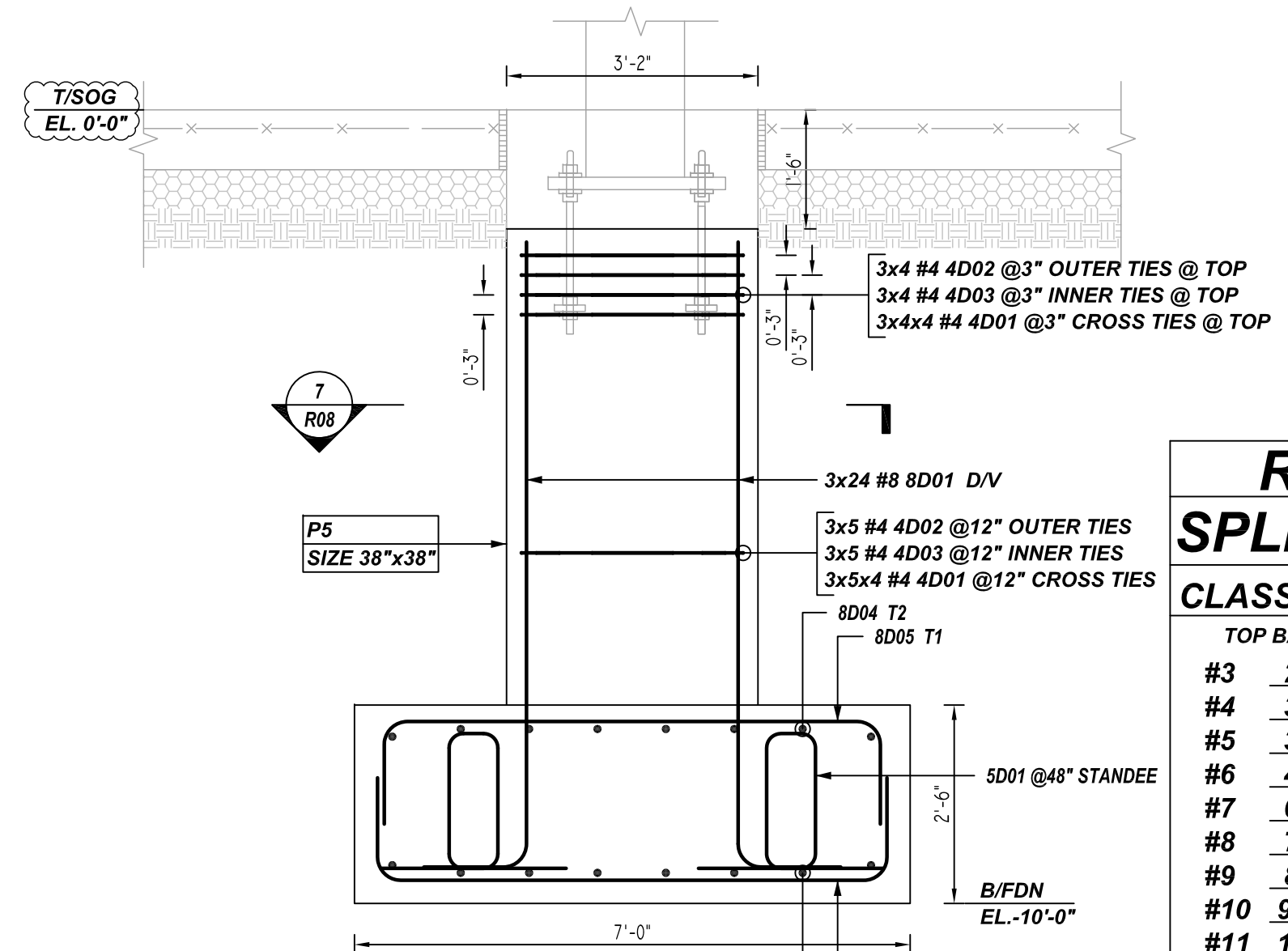
COMBINED FOOTING F48.0 X F15.0 REINFORCEMENT DETAILS

REF: S2.1.4 & 16/S4.1 (DT.07/29/22)
SCALE: 1/4" = 1'-0"



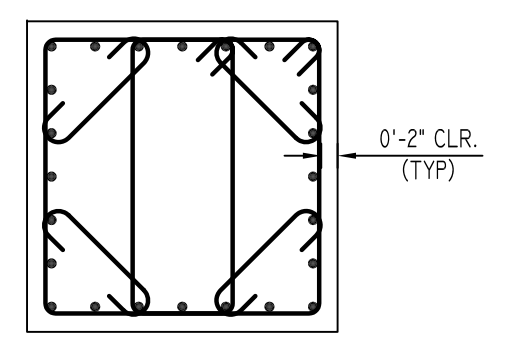
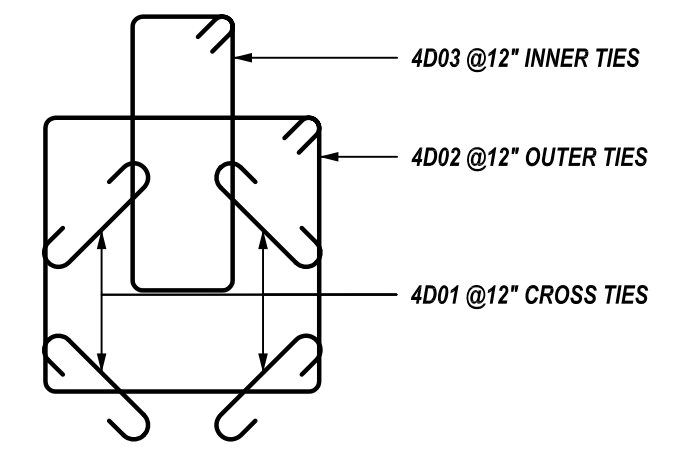
COMBINED FOOTING F47.0 X F14.0 REINFORCEMENT DETAILS

REF: S2.1.4 & 15/S4.1 (DT.07/29/22)
SCALE: 1/4" = 1'-0"



6 SECTION

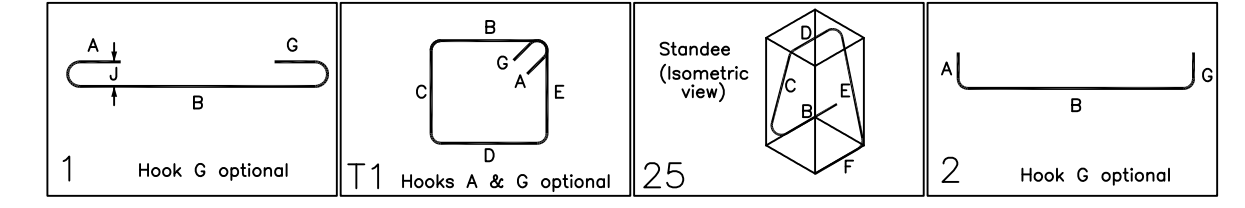
REF: S2.1.2, 18/S4.1 & 1/S4.1 (DT.07/29/22)
SCALE: 1/2" = 1'-0"
@ 3 LOCATIONS



6 SECTION

REF: 12/S4.1 (DT.07/29/22)
SCALE: 1/2" = 1'-0"

Bar Mark	Qty	Size	Total Length	Type	X	Y	Z	BAR LIST	W	V	U	T	S	R	Q	P	O	N	M	L	K	J	I	H	G	F	E	D	C	B	A
4001	108	#4	2'-5"	1	0'-5"	1'-5"																									
4002	27	#4	12'-1"	11	0'-4 X	2'-10"	2'-10"	2'-10"																							
4003	27	#4	8'-8 X	11	0'-4 X	1'-0 X	2'-10"	2'-10"																							
5001	74	#5	7'-3"	25	1'-6"	1'-9 X	0'-8"	1'-9 X	1'-6"																						
5002	48	#5	7'-1"	25	1'-6"	1'-8 X	0'-8"	1'-8 X	1'-6"																						
5003	88	#5	6'-7"	25	1'-5"	1'-5 X	0'-8"	1'-5 X	1'-5"																						
8001	27	#8	9'-7"	2	1'-4"	7'-11"																									
8002	18	#8	11'-1"	2	1'-4"	9'-9"																									
8003	51	#8	9'-2"	2	1'-4"	6'-6"																									
8004	16	#8	29'-4"	2	1'-4"	28'-0"																									
8005	51	#8	9'-0"	2	1'-4"	6'-4"																									
8006	30	#8	27'-10"	2	1'-4"	26'-6"																									
8007	48	#8	15'-2"	2	1'-4"	13'-6"																									
8008	48	#8	15'-0"	2	1'-4"	13'-4"																									
8009	30	#8	9'-7"	2	1'-4"	8'-3"																									
10001	30	#10	29'-7"	2	1'-10"	27'-9"																									
10002	48	#10	17'-11 X	2	1'-10"	14'-3 X																									
10003	30	#10	11'-8"	2	1'-10"	9'-10"																									
10004	48	#10	18'-2"	2	1'-10"	14'-6"																									
10005	88	#10	19'-11 X	2	1'-10"	16'-3 X																									
10006	100	#10	31'-8"	2	1'-10"	29'-10"																									
10007	88	#10	20'-2"	2	1'-10"	16'-6"																									
10008	28	#10	17'-7"	2	1'-10"	15'-9"																									



REBAR GRADE 60 ASTM A-615

SPLICES USED

CLASS B 4,500 psi UNO

TOP BARS	OTHER BARS
#3 24"	#3 19"
#4 32"	#4 24"
#5 39"	#5 30"
#6 46"	#6 36"
#7 67"	#7 52"
#8 77"	#8 59"
#9 86"	#9 67"
#10 95"	#10 73"
#11 104"	#11 81"
#14	#14

ABBREVIATIONS

ADD.	= Additional
B.O.W.	= Bottom of wall
C.B.	= Corner Bars
DIAG.	= Diagonal
D.O.	= Door Opening
D.W.L.S.	= Dowels
E.F.	= Each Face
E.S.	= Each Side
E.W.	= Each Way
F.F.	= Footing
F.F.	= Far Face
HORIZ.	= Horizontal
I.F.	= Inside Face
INTERS.	= Intersection
L.W.	= long Way
N.F.	= Near Face
O.F.	= Outside Face
S.W.	= Short Way
T&B	= Top & Bottom
T.O.W.	= Top of Wall
Trans.	= Transverse
VERT.	= Vertical

BAR MARK SIZE EQUIVALENT

Imperial	Soft Metric
#3	#10
#4	#13
#5	#16
#6	#19
#7	#22
#8	#25
#9	#29
#10	#32
#11	#36

STA PHARMACEUTICAL MIDDLETOWN EXPANSION DP-1
DP-1 BUILDING SECTOR 4 PAD FOOTING & PIER REINFORCEMENT DETAILS
MIDDLETOWN, DE 19709

CUSTOMER: -
DESIGNER: -

REV NO	DATE	APPROVAL	REV NO	DATE	SENT FOR
0	08.08.22				

DRAWN BY	DATE	JOB NO	SHEET NO.
JSN/MET	08.08.22	-	R08