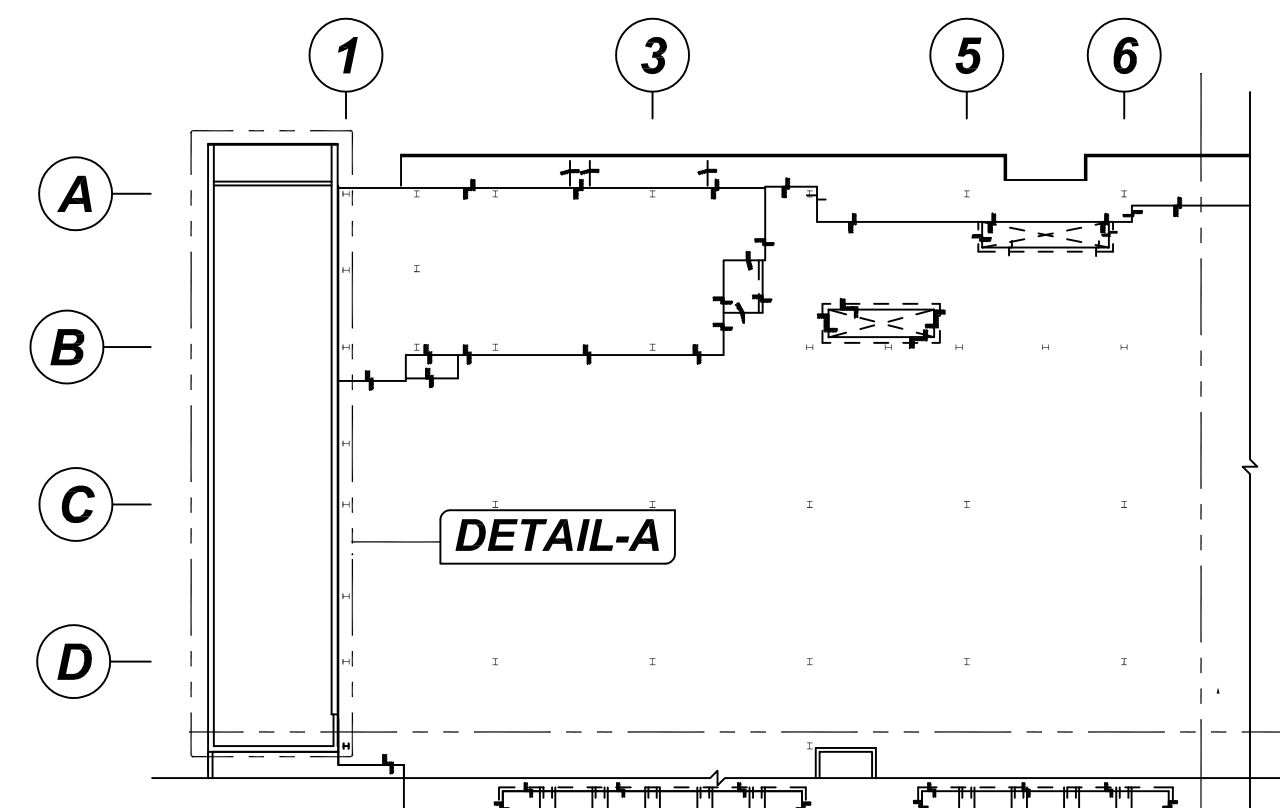
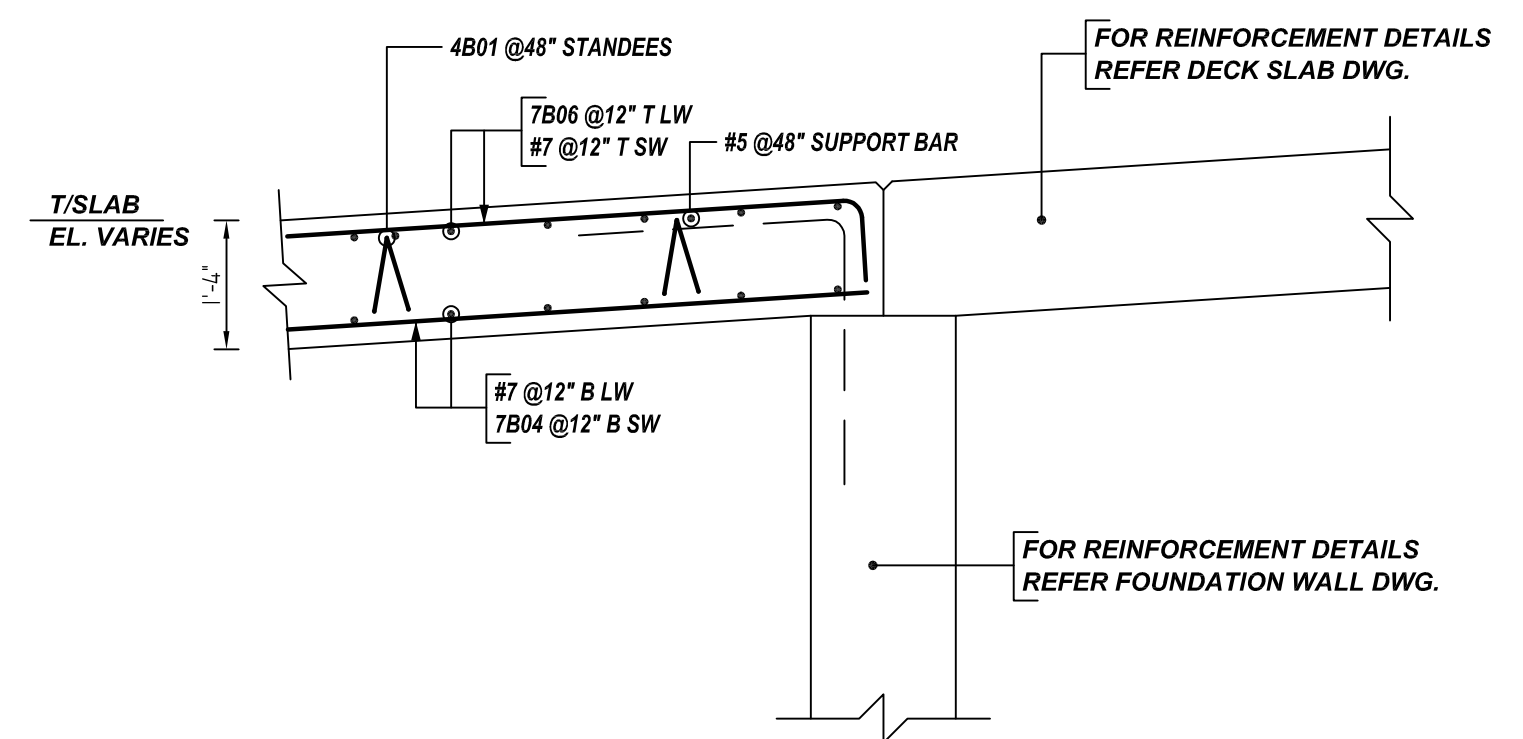
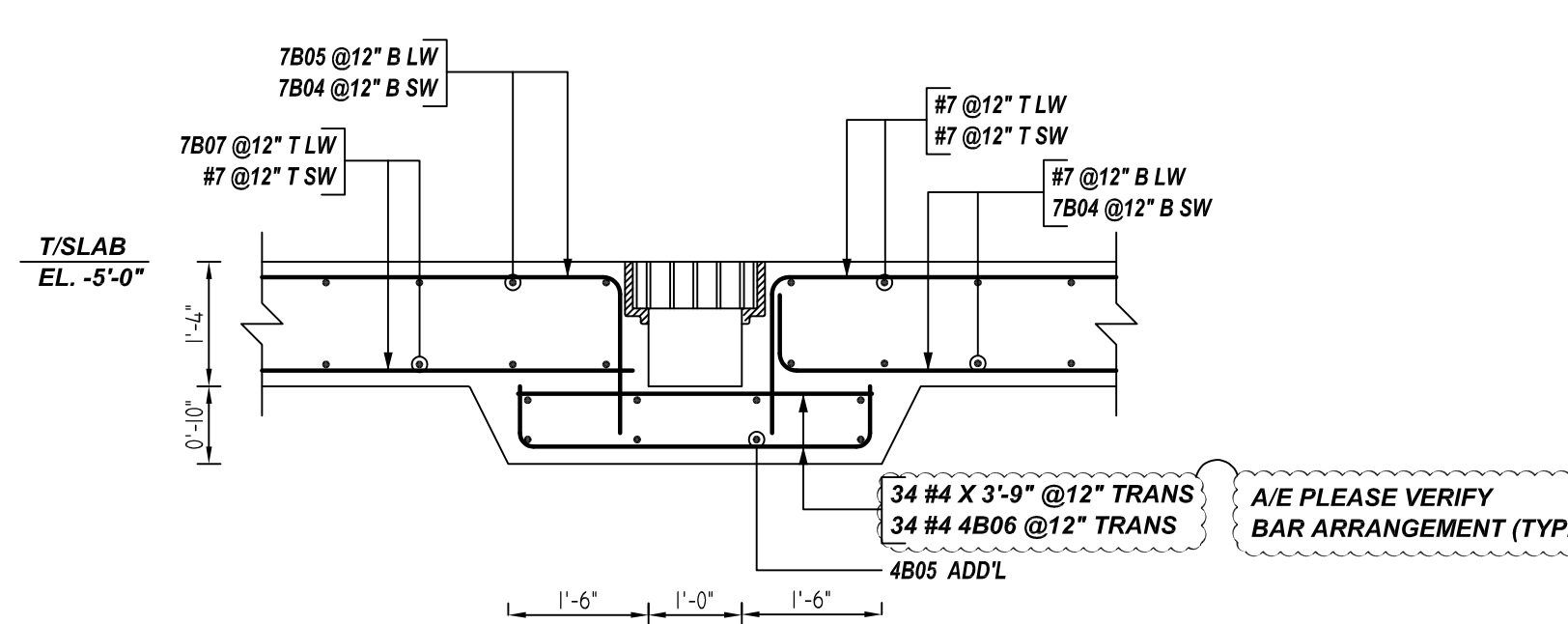
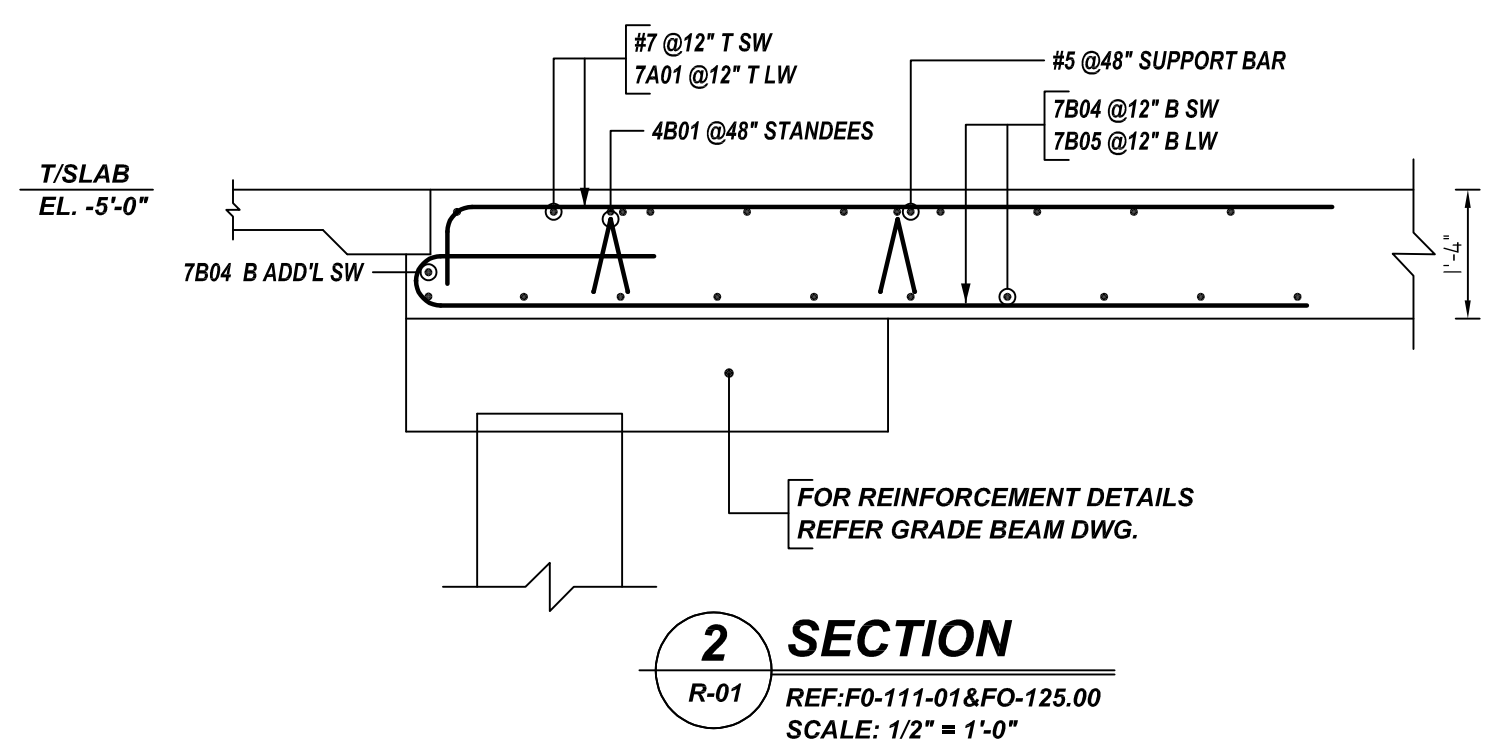
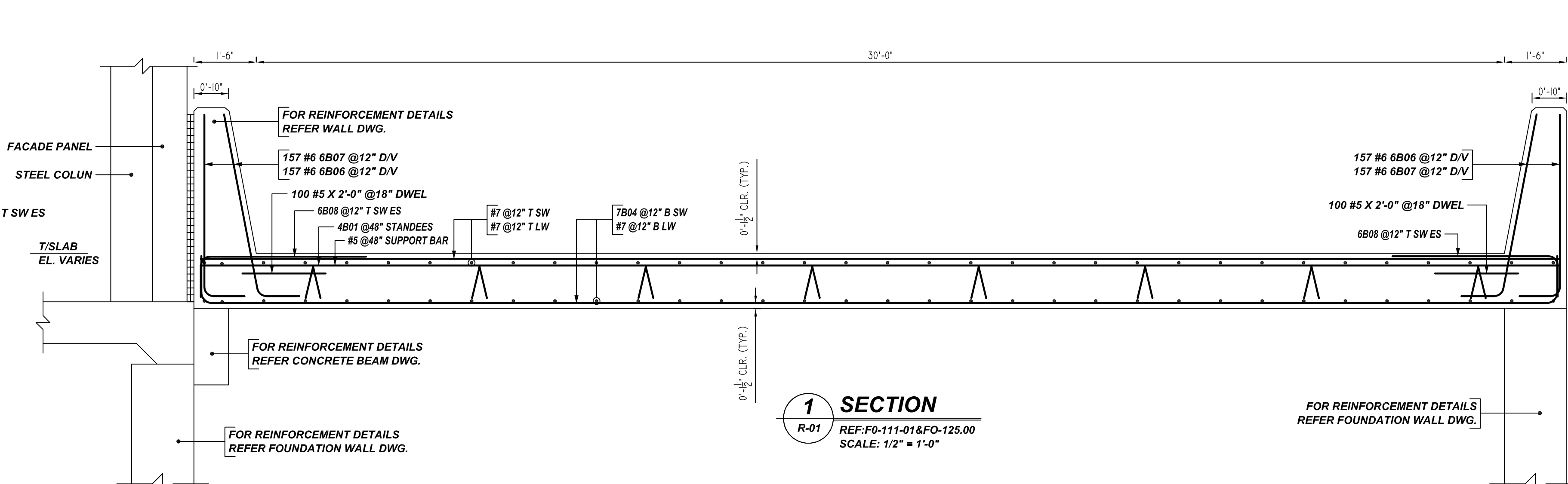
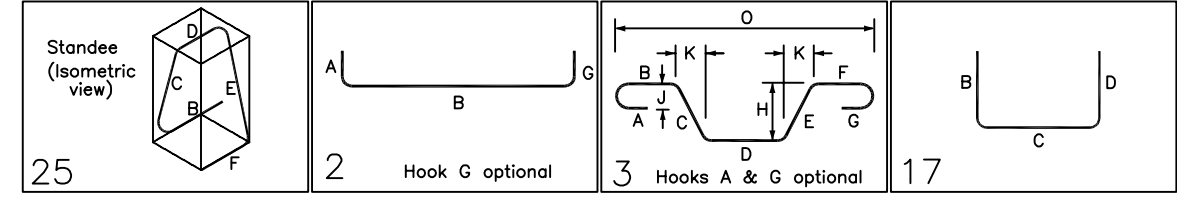


**LEVEL 1 TRUCK RAMP ON GRADE REINFORCEMENT DETAILS ZONE-1**

REF:FO-111-01&FO-125.00  
SCALE: 1/8" = 1'-0"



Bar Mark	Qty	Size	Total Length	Type	X	Y	Z	U	V	W	X	Y	Z	U	V	W	
4B01	330	#4	5'-3.6"	25	1'-6"	1'-6"	0'-9.6"	0'-9.6"	0'-9.6"	1'-6"	0'-9.6"	0'-9.6"	0'-9.6"	0'-9.6"	0'-9.6"	0'-9.6"	0'-9.6"
4B05	4	#4	34'-0"	2	0'-8"	32'-8"											
4B06	34	#4	5'-1.8"	2	0'-8"	3'-8.8"											
6B06	314	#6	5'-5.8"	3	1'-0"	4'-5.8"											
6B07	314	#6	5'-4.8"	2	1'-0"	4'-4.8"											
6B08	314	#6	5'-0"	2	1'-0"	4'-0"											
7B01	68	#7	5'-2"	2	1'-2"	4'-0"											
7B02	34	#7	14'-8.8"	3	9'-3"	5'-5.8"											
7B03	34	#7	39'-11.8"	3	9'-3"	30'-8.8"											
7B04	158	#7	33'-0"	2	1'-2"	32'-8"											
7B05	34	#7	12'-4"	17	2'-6"	0'-3"	9'-3"										
7B06	34	#7	13'-11"	2	1'-2"	12'-9"											
7B07	34	#7	11'-6"	17	1'-8"	9'-0"	0'-10"										



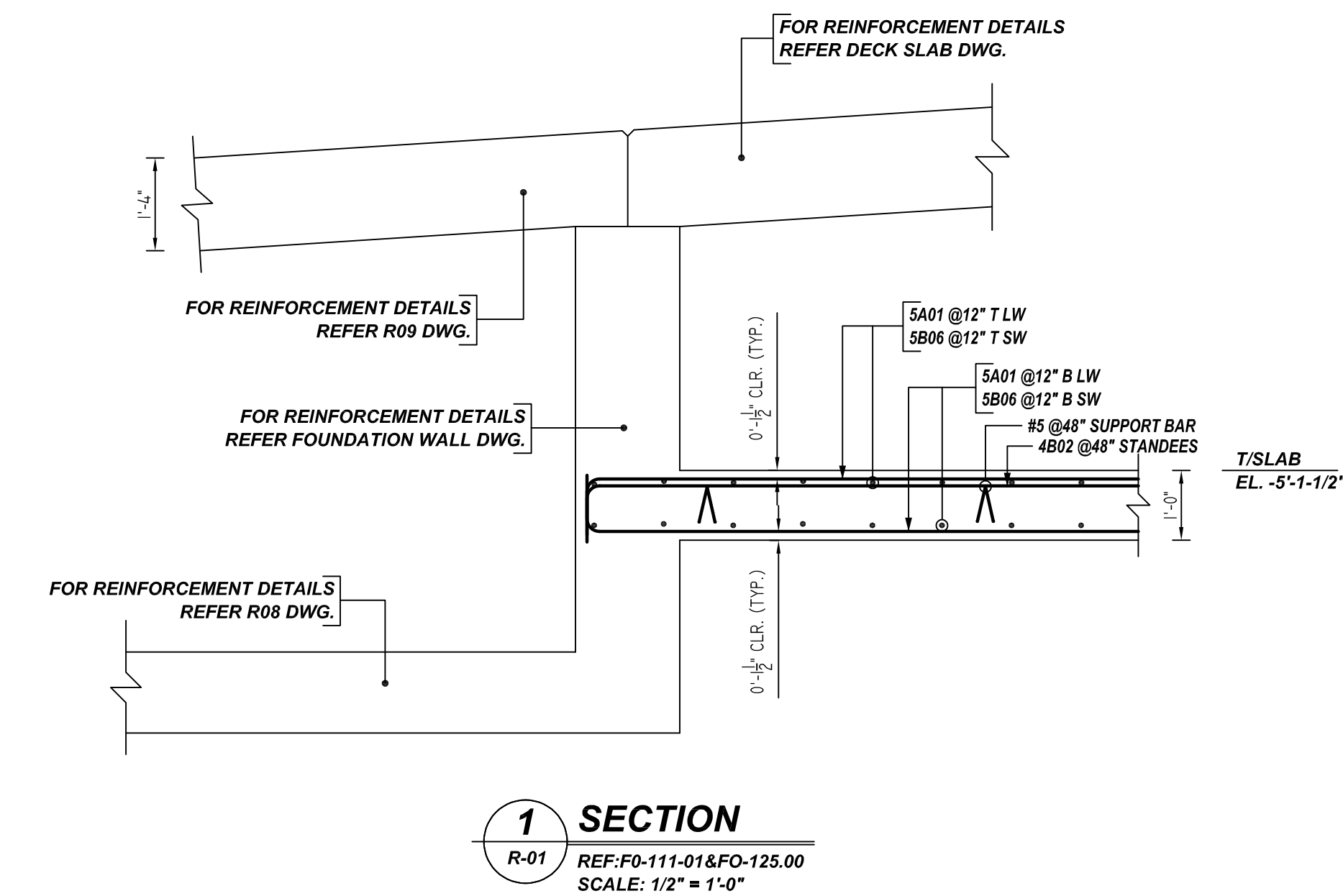
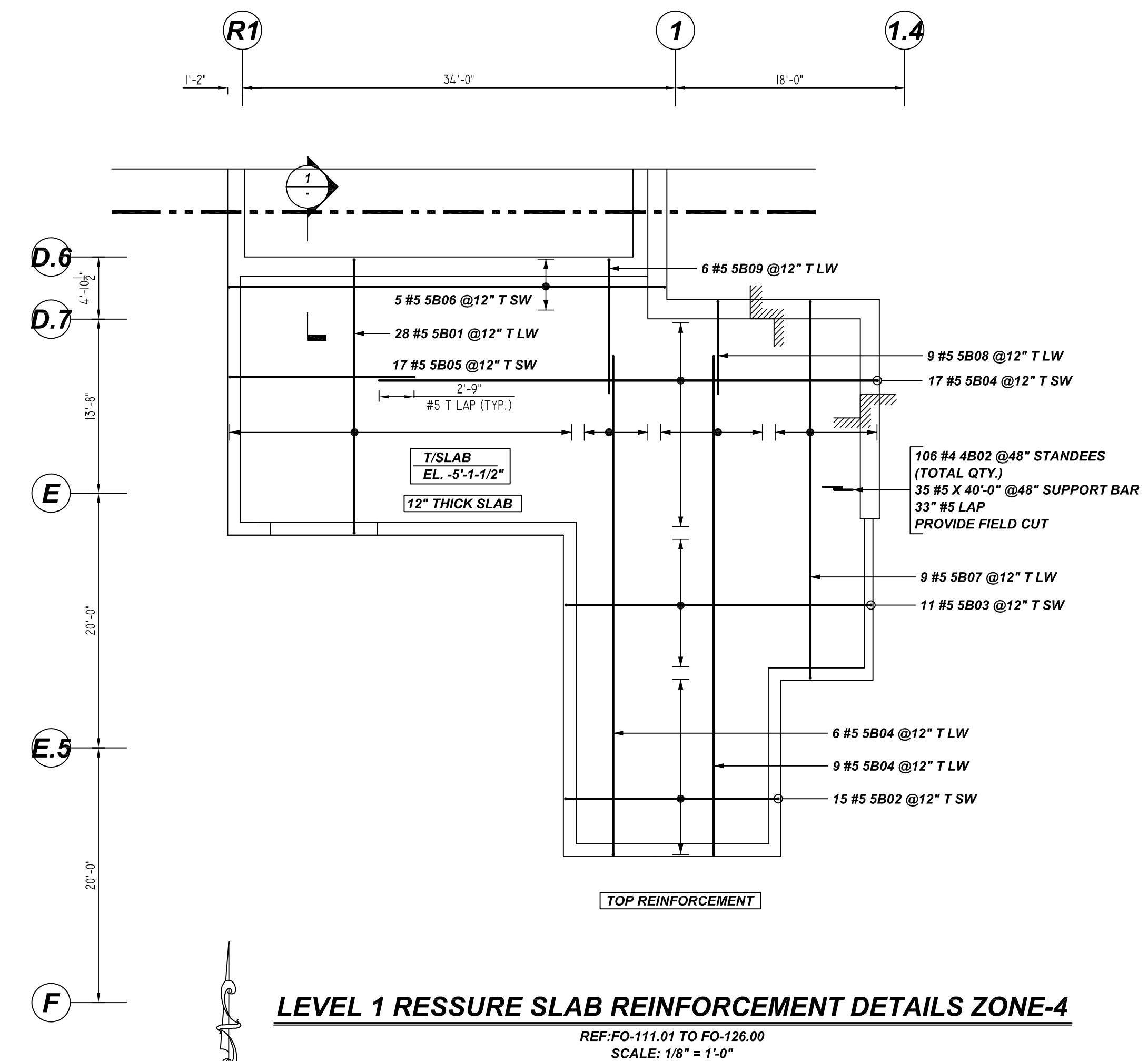
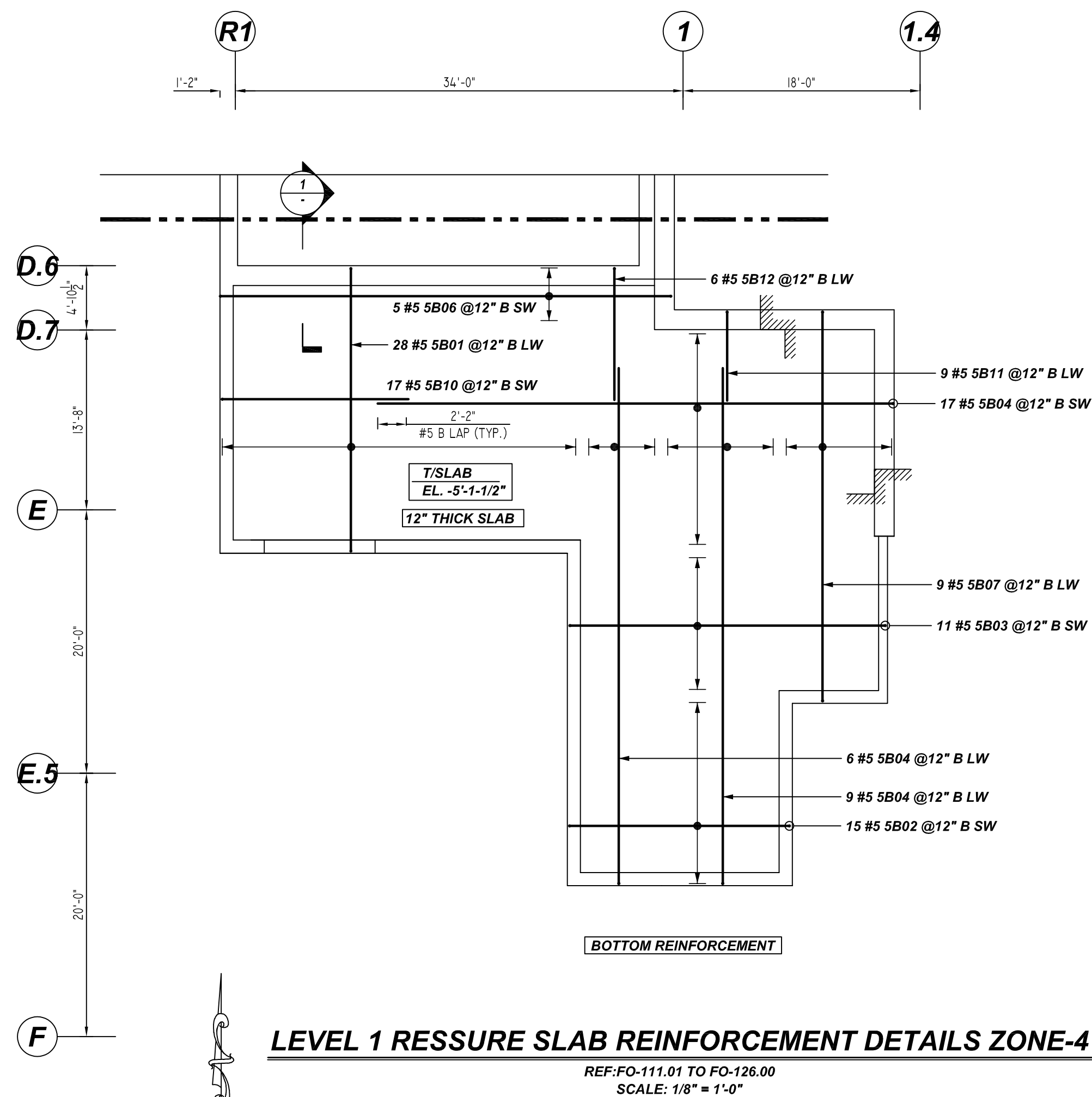
LOCATION	MIN. COVER
SLAB TOP & BOTTOM	1 1/2" CLR
SLAB EDGE	2" CLR

**ALL BARS IN THIS DRAWING  
ASTM A615 GRADE 60  
BLACK UNCOATED**

**LAP SCHEDULE**  
Per ACI:318 (12.2.2)

BAR#	LENGTHS	
	TOP	OTHERS
#3	1'-8"	1'-3"
#4	2'-3"	1'-8"
#5	2'-9"	2'-2"
#6	3'-4"	2'-7"
#7	7'-2"	5'-6"
#8	8'-2"	6'-4"
#9	9'-3"	7'-1"
#10	10'-4"	8'-0"
#11	11'-6"	8'-10"

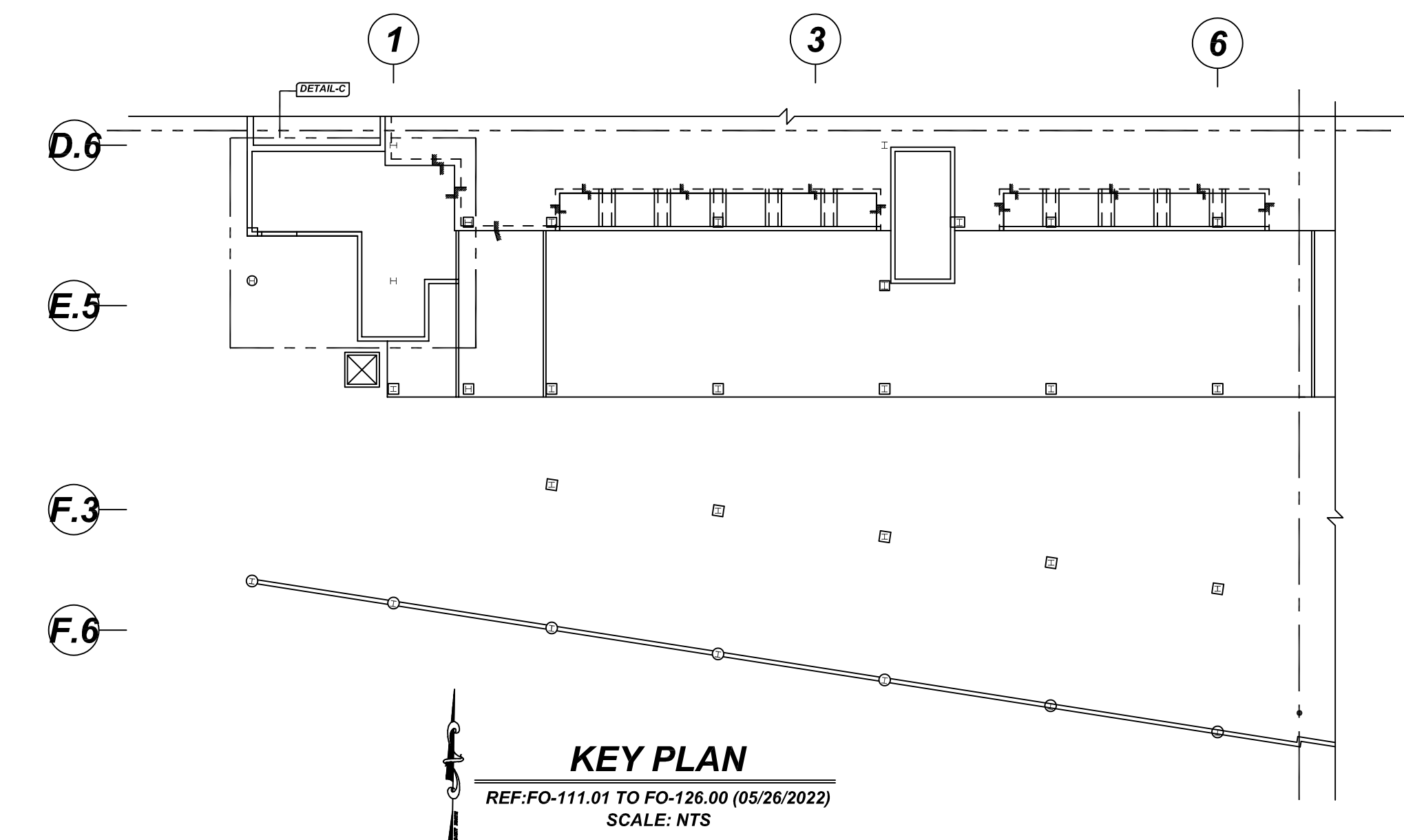
GRADE	A615/60(UNO)				
PREFIX					
BAR LIST NOS.					
REV	DESCRIPTION	ISSUED DATE	ISSUED FOR	STRUCTURE	LEVEL 1 TRUCK RAMP ON GRADE
1	IFA	07/29/2022	APPROVAL	FLOOR	REINFORCEMENT DETAILS
				JOB NO	LEVEL 1 - ZONE-1
				CUSTOMER	CONCRETE COURSES CONCEPTS
				JOB	23-30 BORDEN AVE.
				LOCATION	LONG ISLAND CITY, NY 11101
				DRAWN	
				DATE	07/29/2022
				CONTROL CODE	
				DWG. NO.	R09



**LEVEL 1 RESSURE SLAB REINFORCEMENT DETAILS ZONE-4**  
 REF:FO-111.01 TO FO-126.00  
 SCALE: 1/8" = 1'-0"

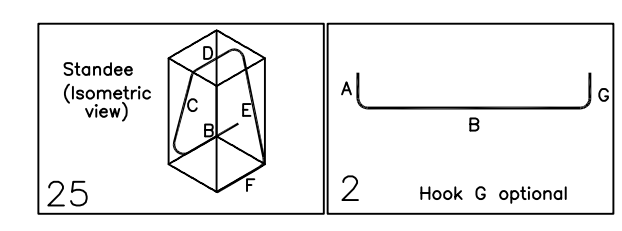
**LEVEL 1 RESSURE SLAB REINFORCEMENT DETAILS ZONE-4**  
 REF:FO-111.01 TO FO-126.00  
 SCALE: 1/8" = 1'-0"

**SECTION 1**  
 R-01 REF:FO-111-01&FO-125.00  
 SCALE: 1/2" = 1'-0"



**KEY PLAN**  
 REF:FO-111.01 TO FO-126.00 (05/26/2022)  
 SCALE: NTS

Release Number: R10		BENDING DETAILS											
Bar Mark	Qty	Size	Total Length	Type	X'	Y'	Z'	X''	Y''	Z''	X'''	Y'''	Z'''
4B02	106	#4	4'-9"	25		1'-6"	0'-6 X	0'-8"	0'-6 X	1'-6"			
5B01	56	#5	23'-2"	2	0'-10"	21'-6"				0'-10"	0'-6 X		
5B02	30	#5	18'-5"	2	0'-10"	18'-9"				0'-10"			
5B03	22	#5	25'-8"	2	0'-10"	24'-0"				0'-10"			
5B04	64	#5	40'-0"	2	0'-10"	39'-2"							
5B05	17	#5	15'-4"	2	0'-10"	14'-6"							
5B06	10	#5	35'-11"	2	0'-10"	34'-3"				0'-10"			
5B07	18	#5	31'-3"	2	0'-10"	29'-7"				0'-10"			
5B08	9	#5	8'-1"	2	0'-10"	7'-3"							
5B09	6	#5	11'-4"	2	0'-10"	10'-6"							
5B10	17	#5	15'-0"	2	0'-10"	14'-2"							
5B11	9	#5	7'-7"	2	0'-10"	6'-9"							
5B12	6	#5	10'-10"	2	0'-10"	10'-0"							



TYPICAL REINFORCING BAR CLEARANCE TABLE	
LOCATION	MIN. COVER
SLAB TOP & BOTTOM	1 1/2" CLR
SLAB EDGE	2" CLR

**ALL BARS IN THIS DRAWING  
 ASTM A615 GRADE 60  
 BLACK UNCOATED**

**LAP SCHEDULE**  
 Per ACI :318 (12.2.2)

BAR#	LENGTHS	
	TOP	OTHERS
#3	1'-8"	1'-3"
#4	2'-3"	1'-8"
#5	2'-9"	2'-2"
#6	3'-4"	2'-7"
#7	7'-2"	5'-6"
#8	8'-2"	6'-4"
#9	9'-3"	7'-1"
#10	10'-4"	8'-0"
#11	11'-6"	8'-10"

GRADE: A615/60(UNO)					
PREFIX:					
BAR LIST NOS.					
REV	DESCRIPTION	ISSUED DATE	ISSUED FOR	STRUCTURE FLOOR	LEVEL 1 - ZONE-1
1	IFA	07/29/2022	APPROVAL	JOB NO	-
				CUSTOMER	CONCRETE COURSES CONCEPTS
				JOB	23-30 BORDEN AVE.
				LOCATION	LONG ISLAND CITY, NY 11101
DRAWN	DATE	CONTROL CODE	DWG. NO.		
MRS	07/29/2022	-	R10		