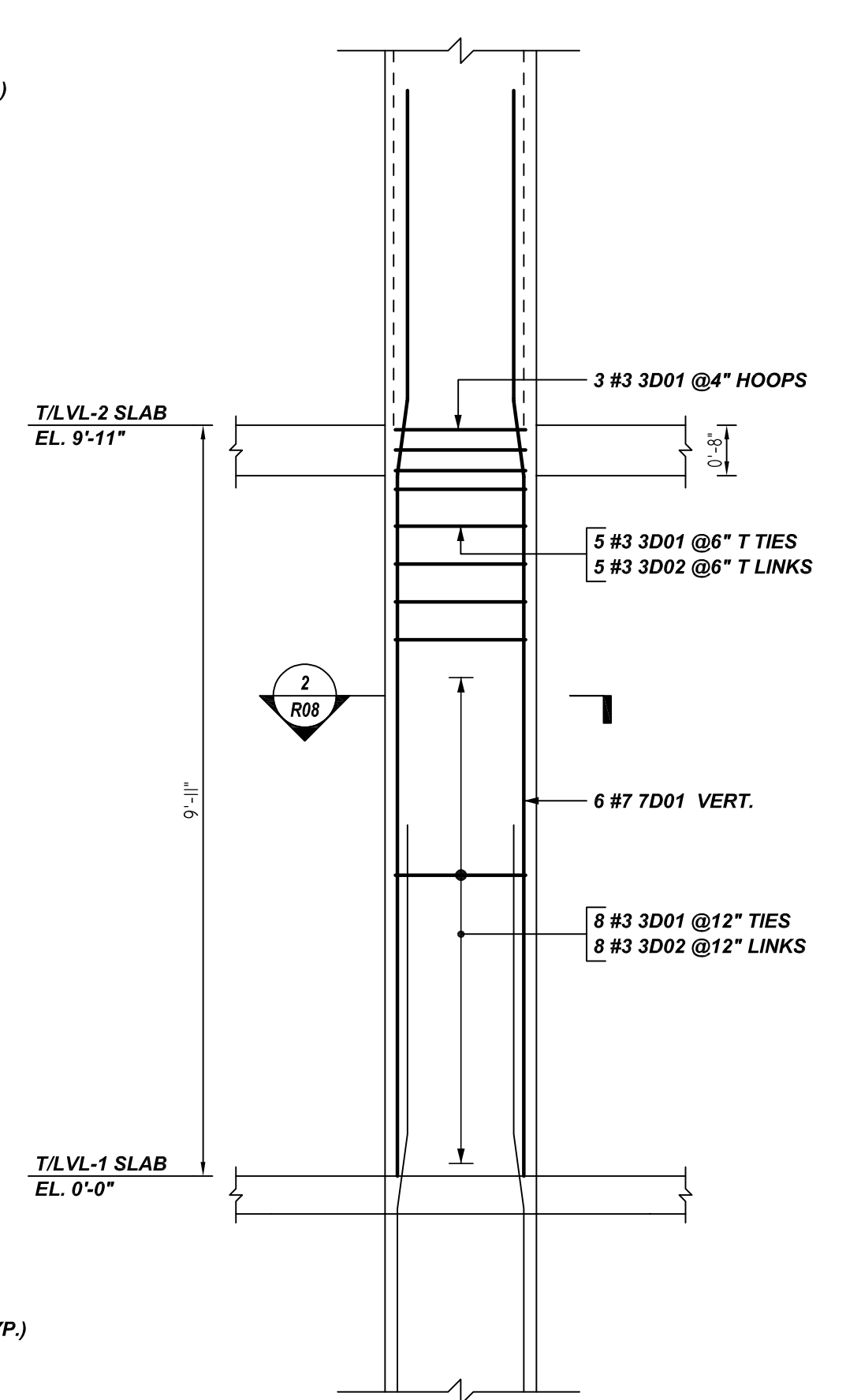
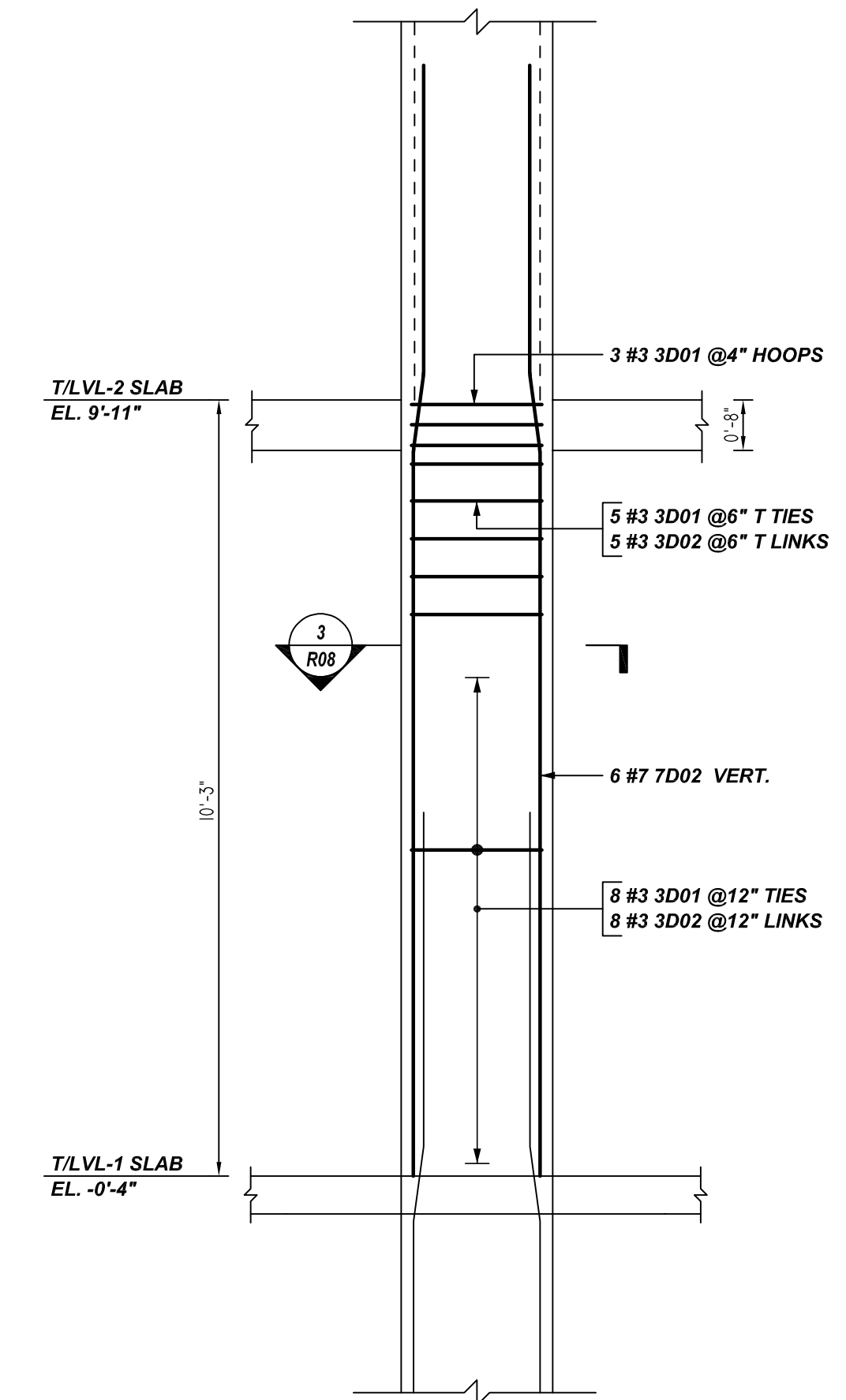


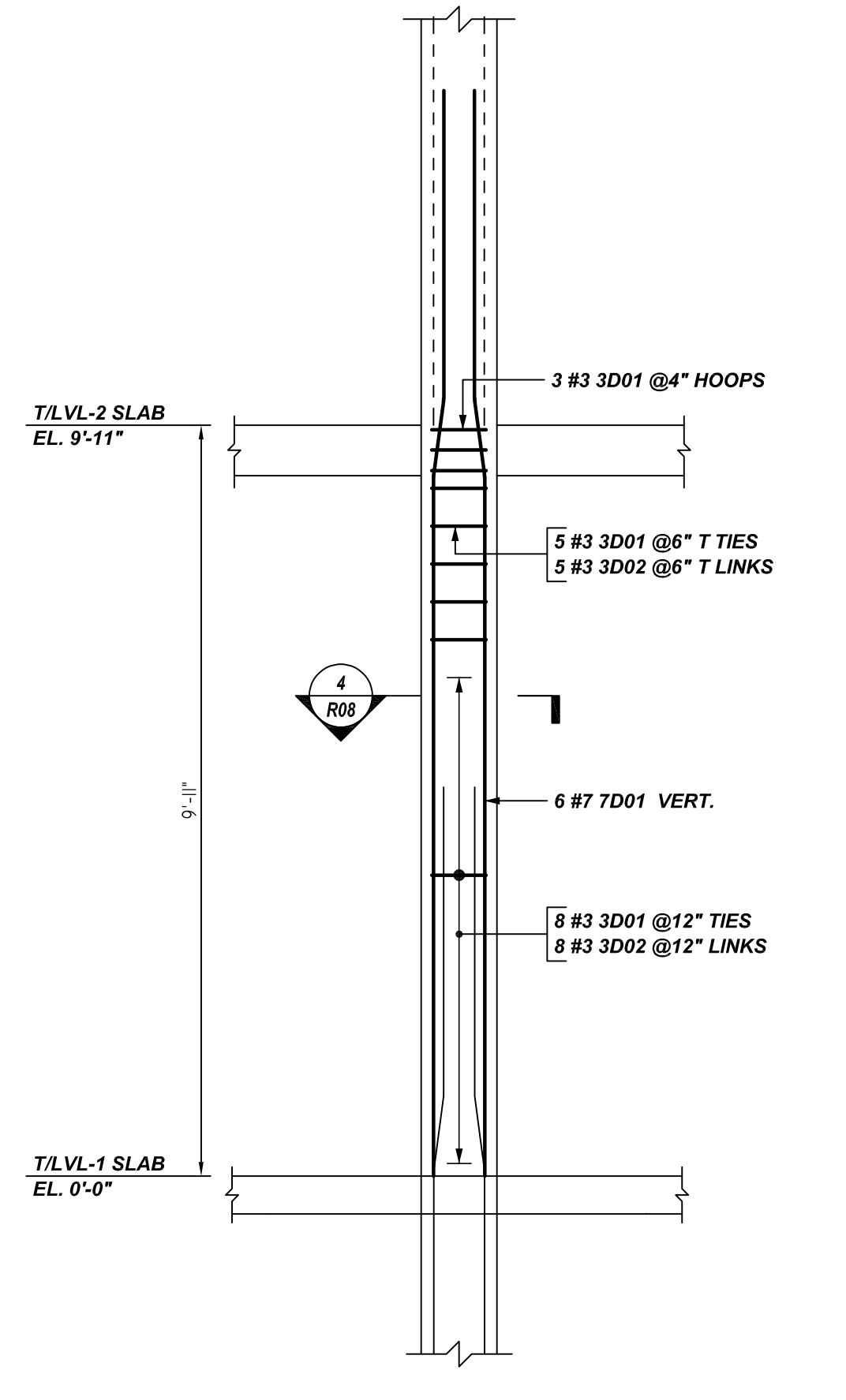
COLUMN SIZE-12" X 24"
COLUMN-1 & 5
REF: S-101.00 & S & S-102.00
SCALE: 1/2" = 1'-0"
(@ 2 LOCATIONS)



COLUMN SIZE-12" X 24"
COLUMN-2
REF: S-101.00 & S & S-102.00
SCALE: 1/2" = 1'-0"



COLUMN SIZE-12" X 24"
COLUMN-3
REF: S-101.00 & S & S-102.00
SCALE: 1/2" = 1'-0"



COLUMN SIZE-12" X 24"
COLUMN-6
REF: S-101.00 & S & S-102.00
SCALE: 1/2" = 1'-0"

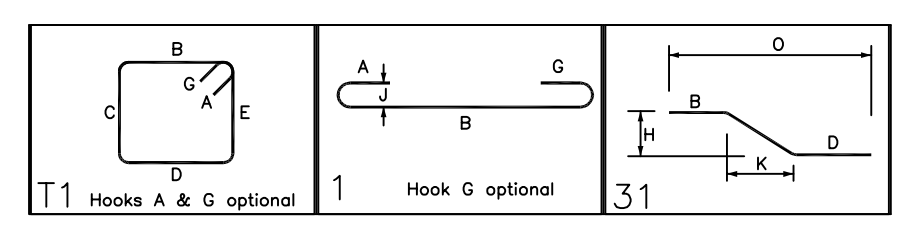
LAP SCHEDULE
5000 PSI (CLASS-B) CASE - 1
Per ACI-318 (12.2.2)

BAR#	LENGTHS	
	TOP	OTHERS
#3	22"	17"
#4	29"	22"
#5	36"	28"
#6	54"	42"
#7	63"	49"
#8	72"	56"
#9	81"	63"
#10	92"	71"
#11	127"	98"

TYPICAL REINFORCING BAR CLEARANCE TABLE	
LOCATION	MIN. COVER
COLUMN SIDE	2" CLR
COLUMN TIES	1 1/2" CLR

**ALL BARS IN THIS DRAWING
ASTM A615 GRADE 60
BLACK UNCOATED**

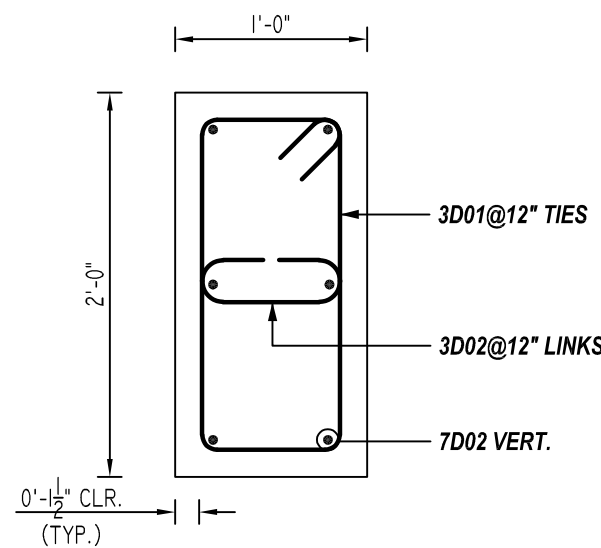
Release Number: R08		BENDING DETAILS											
Bar Mark	Qty	Size	Total Length	Type	X'	Y'	Z'	X''	Y''	Z''	X'''	Y'''	Z'''
3001	80	#3	5'-8 X'	T1	0'-4 X'	0'-9"	1'-3"	0'-9"	1'-3"	0'-9"	0'-4 X'	0'-3"	
3002	68	#3	1'-7"	L	0'-5"	0'-9"					0'-5"	0'-3"	
7001	24	#7	14'-4 X'	S1	9'-3"	1'-8 X'	4'-1"				0'-2 X'	1'-8"	14'-4"
7002	6	#7	14'-8 X'	S1	9'-7"	1'-8 X'	4'-1"				0'-2 X'	1'-8"	14'-8"



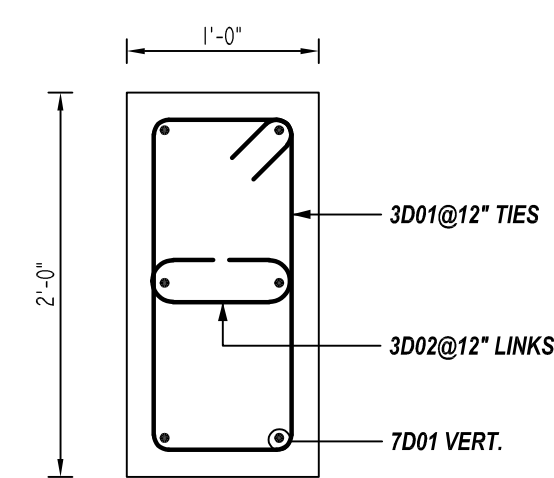
FOR APPROVAL

1ST TO 2ND FLOOR COLUMN REINFORCEMENT DETAILS
REF: S-101.00(DT.05/19/22)
SCALE: 1/6" = 1'-0"

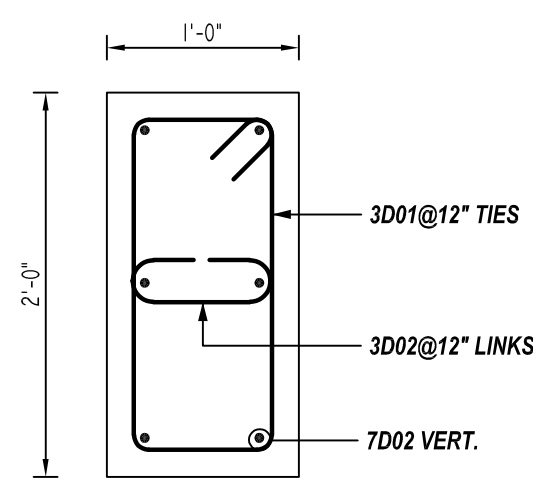
GRADE	A615/60(UNO)				
PREFIX	D				
BAR LIST NOS.					
REV	DESCRIPTION	ISSUED DATE	ISSUED FOR	STRUCTURE	COLUMN REINFORCEMENT DETAILS
0	IFA	09/20/2022	APPROVAL	FLOOR	1ST TO 2ND FLOOR (0'-0" TO 9'-11")
				JOB NO.	-
				CUSTOMER	-
				JOB	31-27 CRESCENT ST
				LOCATION	LONG ISLAND, NY 11106
	DRAWN	DATE	CONTROL CODE	DWS. NO.	
	MRS	09/20/2020	-	R08	



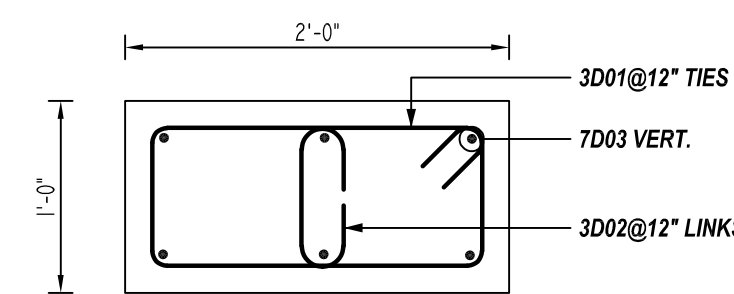
5 SECTION
REF: S-302.00
SCALE: 1/1" = 1'-0"



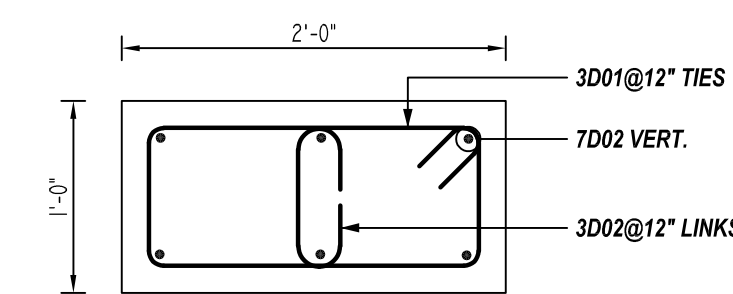
6 SECTION
REF: S-302.00
SCALE: 1/1" = 1'-0"



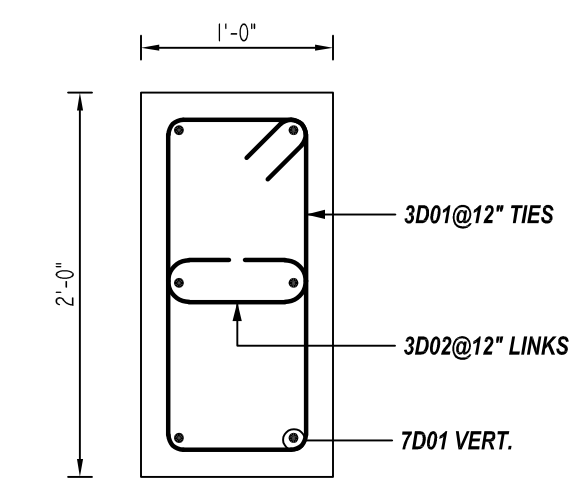
7 SECTION
REF: S-302.00
SCALE: 1/1" = 1'-0"



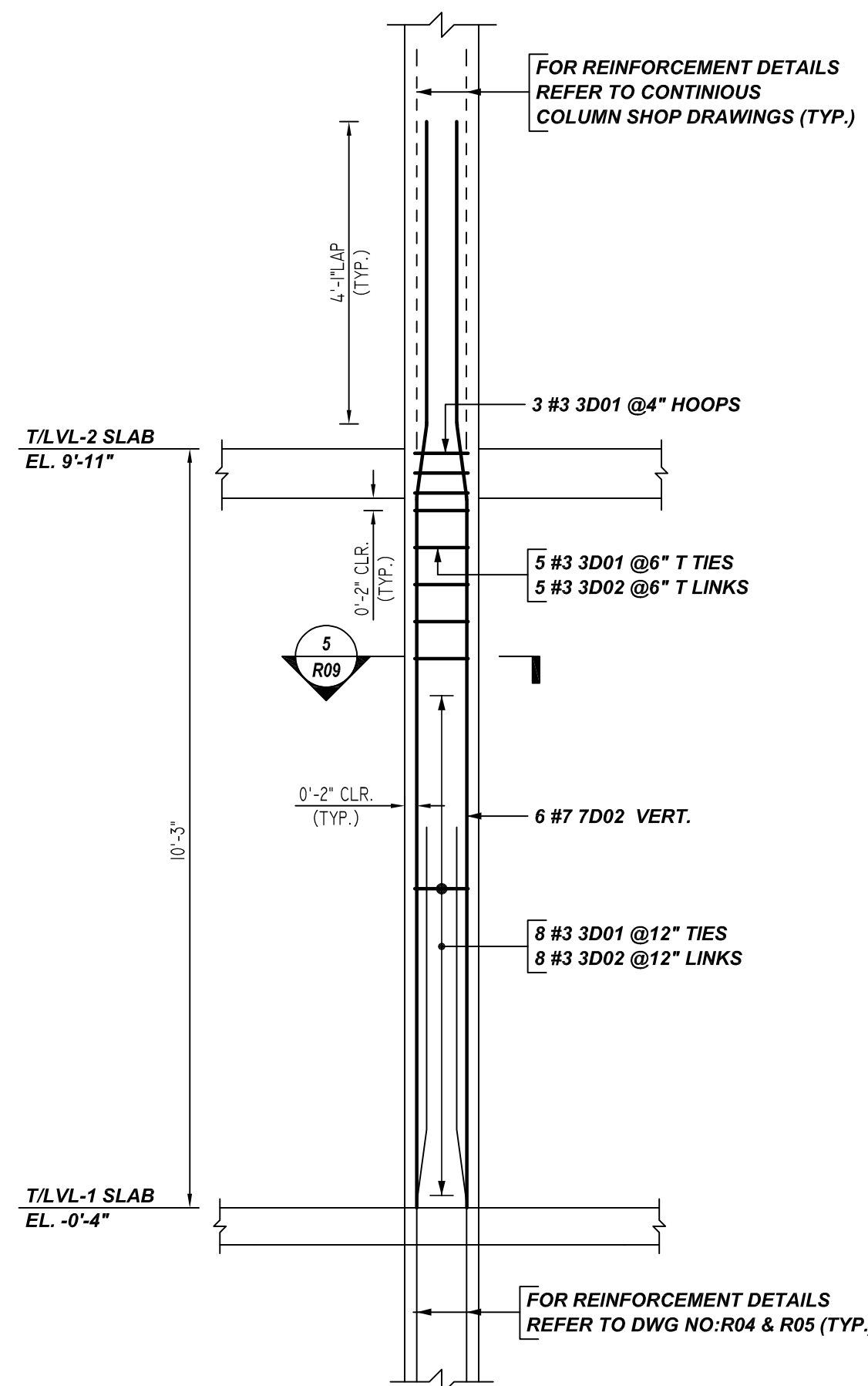
8 SECTION
REF: S-302.00
SCALE: 1/1" = 1'-0"



9 SECTION
REF: S-302.00
SCALE: 1/1" = 1'-0"

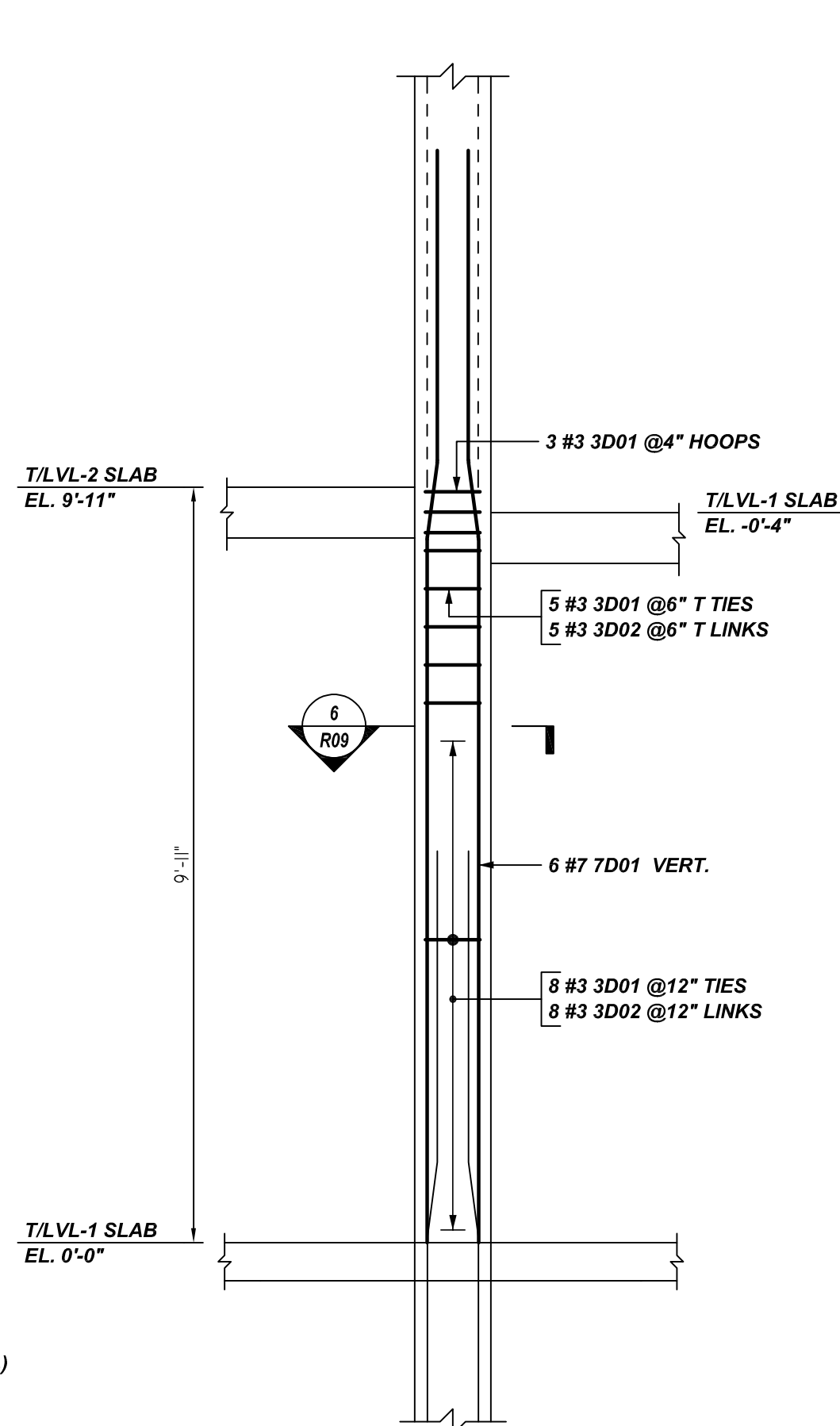


10 SECTION
REF: S-302.00
SCALE: 1/1" = 1'-0"



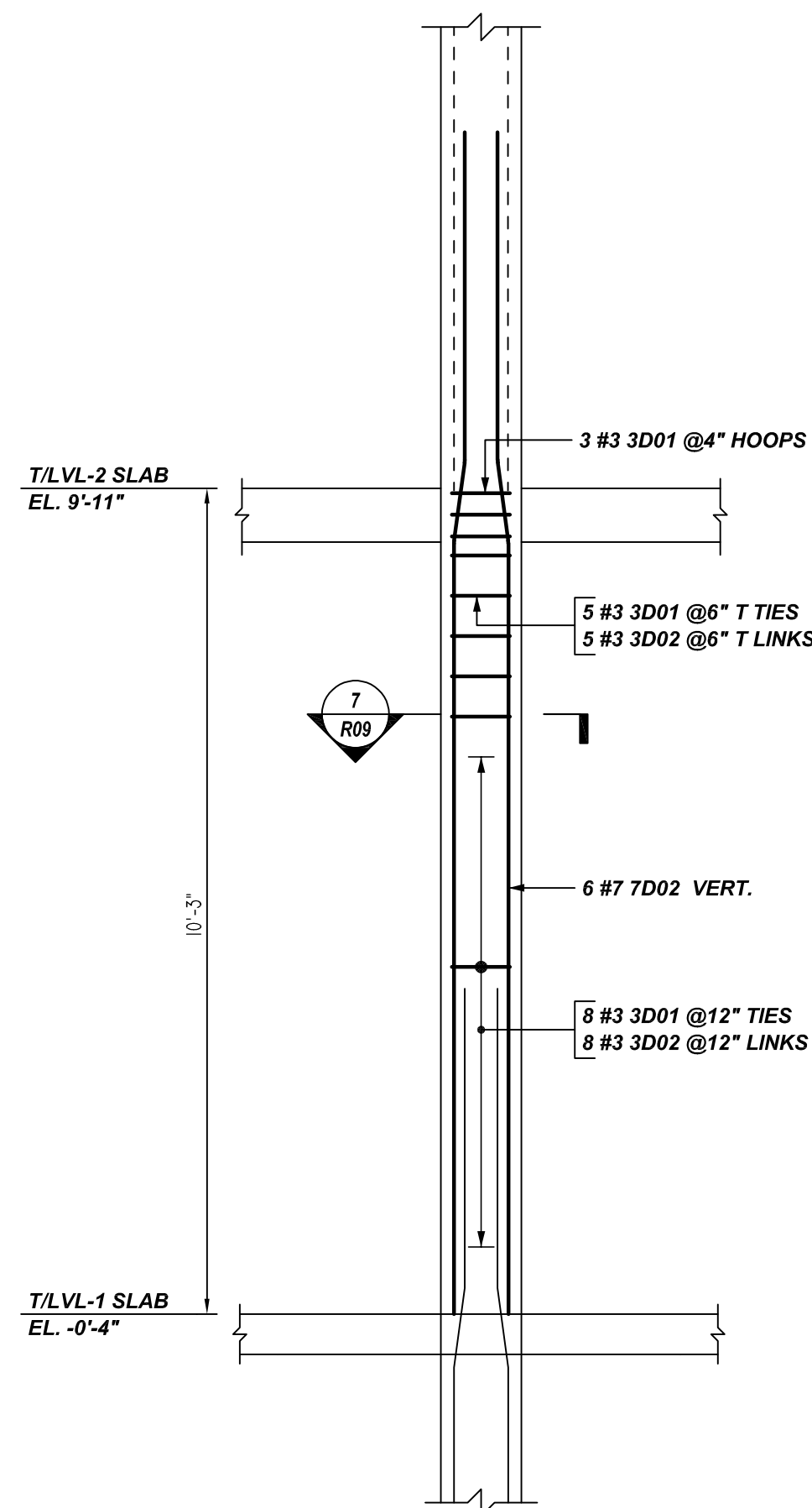
COLUMN SIZE-12" X 24"

COLUMN-7
REF: S-101.00 & S & S-102.00
SCALE: 1/2" = 1'-0"



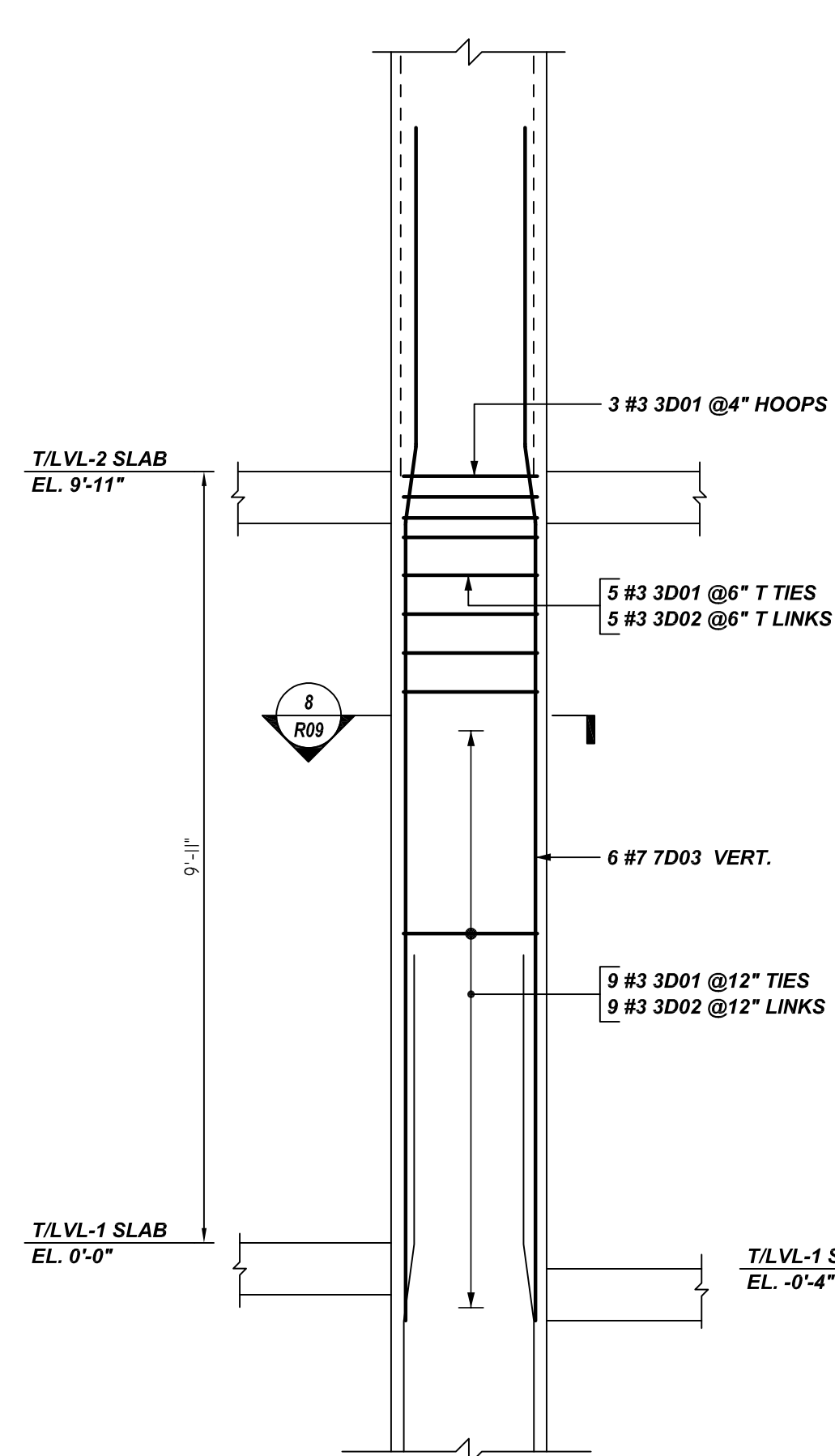
COLUMN SIZE-12" X 24"

COLUMN-9
REF: S-101.00 & S & S-102.00
SCALE: 1/2" = 1'-0"



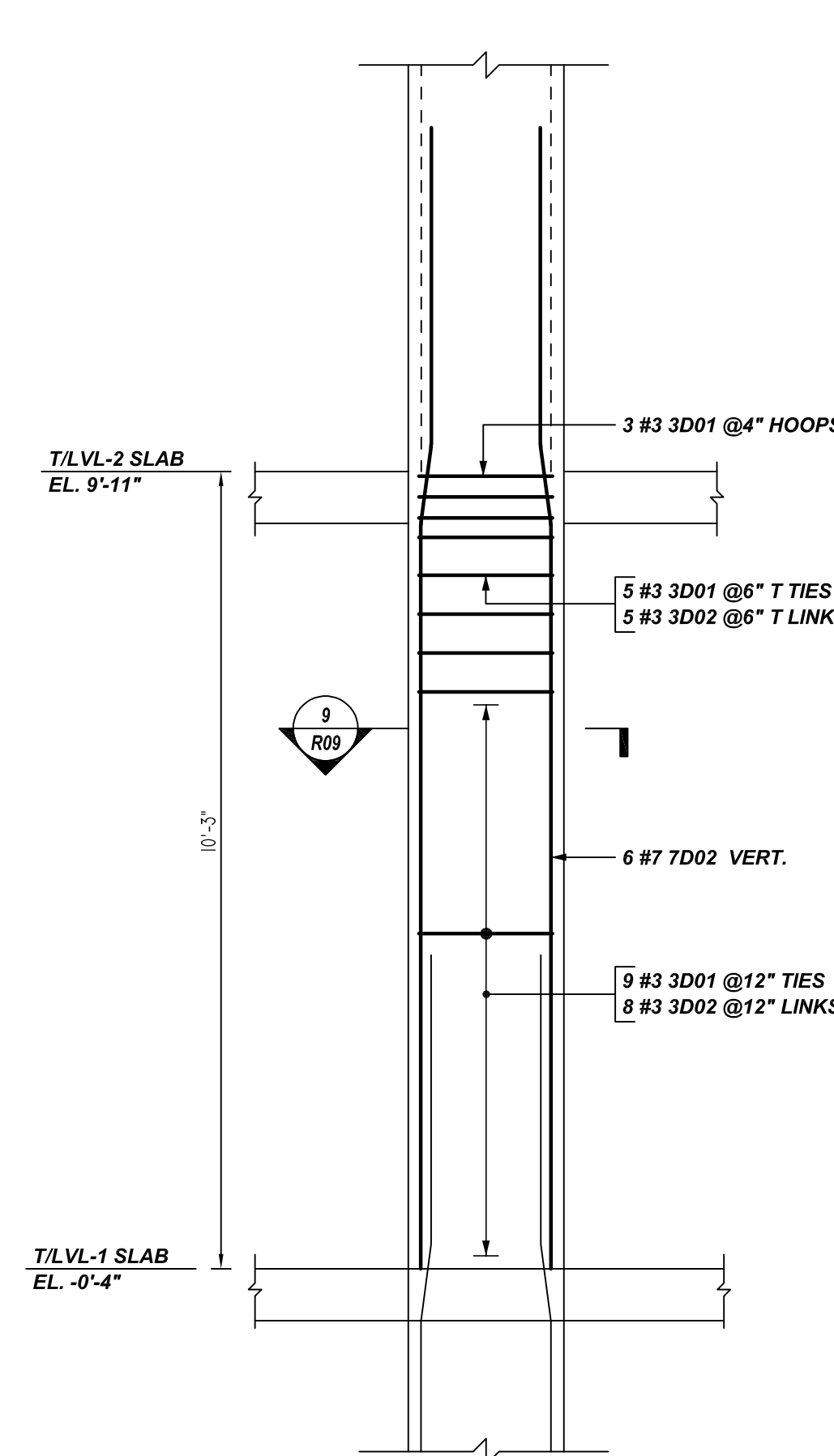
COLUMN SIZE-12" X 24"

COLUMN-10
REF: S-101.00 & S & S-102.00
SCALE: 1/2" = 1'-0"



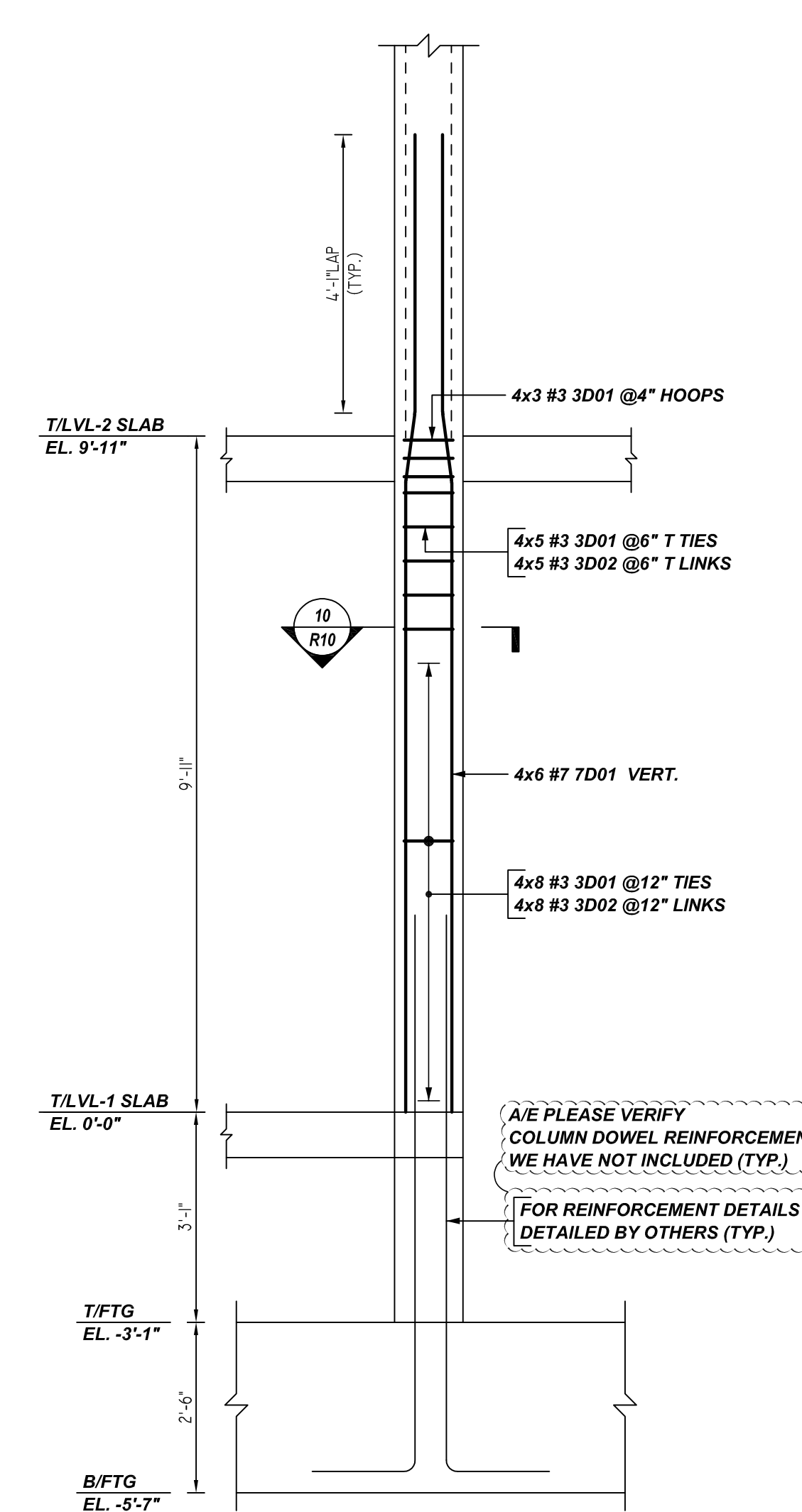
COLUMN SIZE-12" X 24"

COLUMN-12
REF: S-101.00 & S & S-102.00
SCALE: 1/2" = 1'-0"



COLUMN SIZE-12" X 24"

COLUMN-13
REF: S-101.00 & S & S-102.00
SCALE: 1/2" = 1'-0"



COLUMN SIZE-12" X 24"

COLUMN - 4, 8, 11 & 14
REF: S-101.00 & S & S-102.00
SCALE: 1/2" = 1'-0"
(@ 4 LOCATIONS)

LAP SCHEDULE

5000 PSI (CLASS-B) CASE - 1
Per ACI :318 (12.2.2)

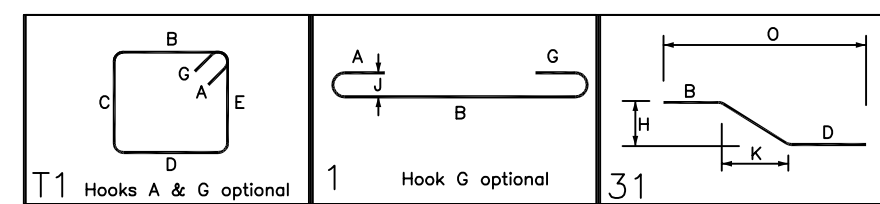
BAR#	LENGTHS	
	TOP	OTHERS
#3	22"	17"
#4	29"	22"
#5	36"	28"
#6	54"	42"
#7	63"	49"
#8	72"	56"
#9	81"	63"
#10	92"	71"
#11	127"	98"

ALL TOP BARS ARE DEFINED AS HORIZ BARS WITH MORE THAN 12" OF CONCRETE BELOW BARS.

TYPICAL REINFORCING BAR CLEARANCE TABLE	
LOCATION	MIN. COVER
COLUMN SIDE	2" CLR
COLUMN TIES	1 1/2" CLR

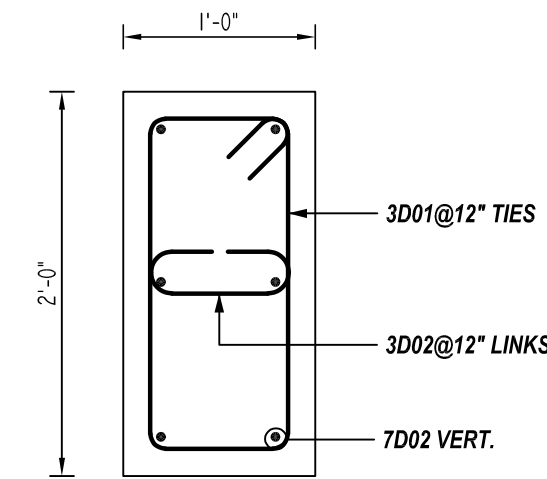
**ALL BARS IN THIS DRAWING
ASTM A615 GRADE 60
BLACK UNCOATED**

Bar Mark	Qty	Size	Total Length	Type	BENDING DETAILS												
					X	Y	Z	W	V	U	T	S	R	Q	P		
3001	146	#3	5'-8 1/2"	T1	0'-4 1/2"	0'-0"	1'-9"	0'-0"	1'-9"	0'-4 1/2"							
3002	118	#3	1'-7"	L	0'-5 1/2"	0'-9"				0'-5 1/2"	0'-3"						
7001	30	#7	14'-4 1/2"	31	9'-3"	1'-0 1/2"	4'-1"			0'-2 1/2"	1'-0"	14'-4"					
7002	18	#7	14'-8 1/2"	31	9'-7"	1'-0 1/2"	4'-1"			0'-2 1/2"	1'-0"	14'-8"					
7003	6	#7	15'-4 1/2"	31	10'-3"	1'-0 1/2"	4'-1"			0'-2 1/2"	1'-0"	15'-4"					



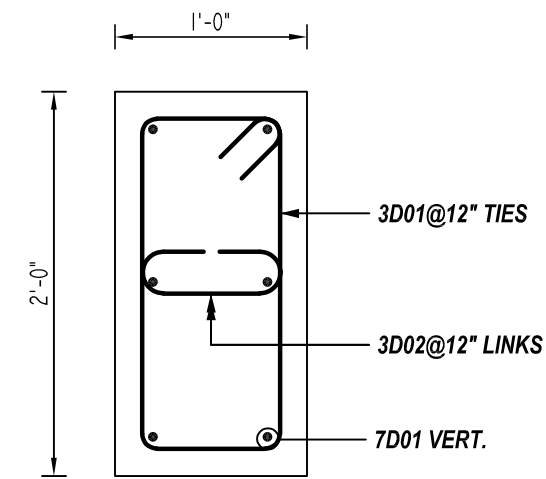
FOR APPROVAL

GRADE	A615/60(UNO)		
PREFIX	D		
BAR LIST NOS.			
REV	DESCRIPTION	ISSUED DATE	ISSUED FOR
0	IFA	09/20/2022	APPROVAL
STRUCTURE: COLUMN REINFORCEMENT DETAILS			
FLOOR: 1ST TO 2ND FLOOR (0'-0" TO 9'-11")			
JOB NO: -			
CUSTOMER: -			
JOB: 31-27 CRESCENT ST			
LOCATION: LONG ISLAND, NY 11106			
DRAWN	DATE	CONTROL CODE	DWS. NO.
MRS	09/20/2020	-	R09



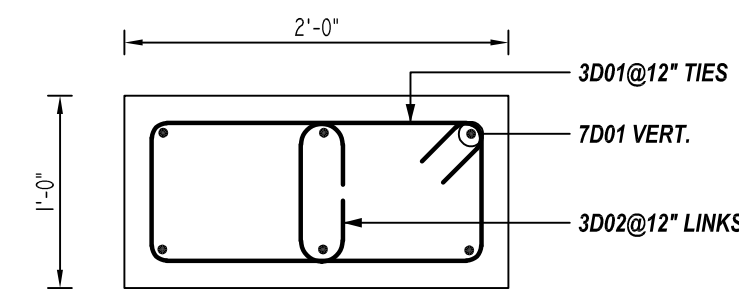
11 SECTION

REF: S-302.00
SCALE: 1/1" = 1'-0"



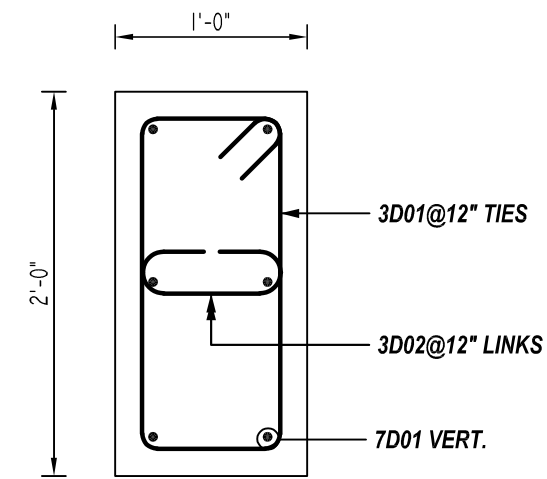
12 SECTION

REF: S-302.00
SCALE: 1/1" = 1'-0"



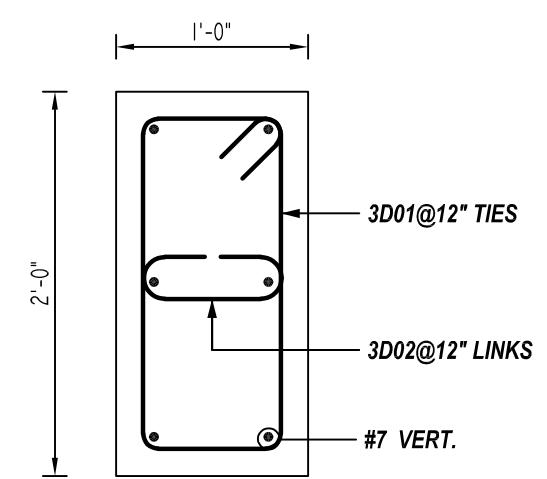
13 SECTION

REF: S-302.00
SCALE: 1/1" = 1'-0"



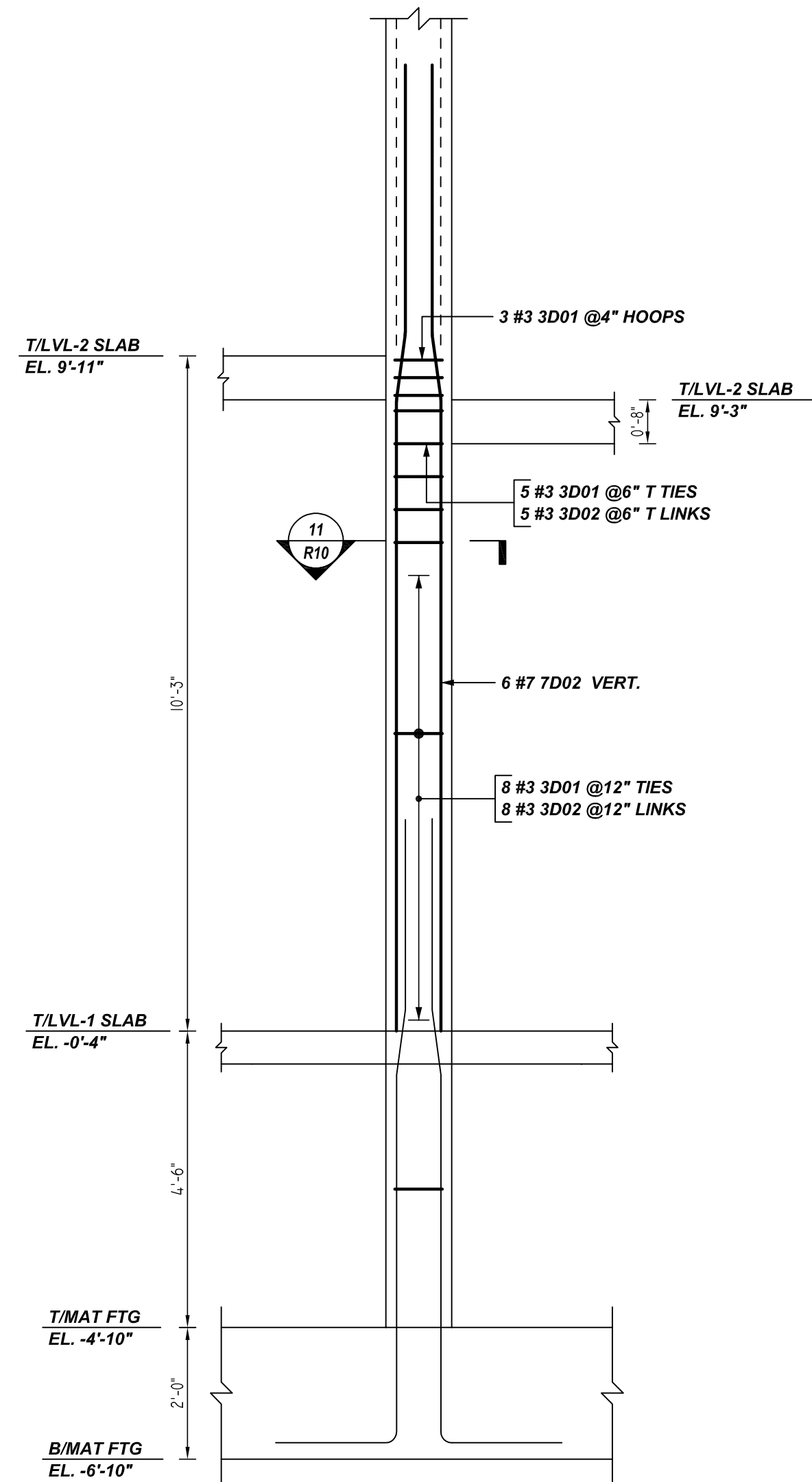
14 SECTION

REF: S-302.00
SCALE: 1/1" = 1'-0"



15 SECTION

REF: S-302.00
SCALE: 1/1" = 1'-0"

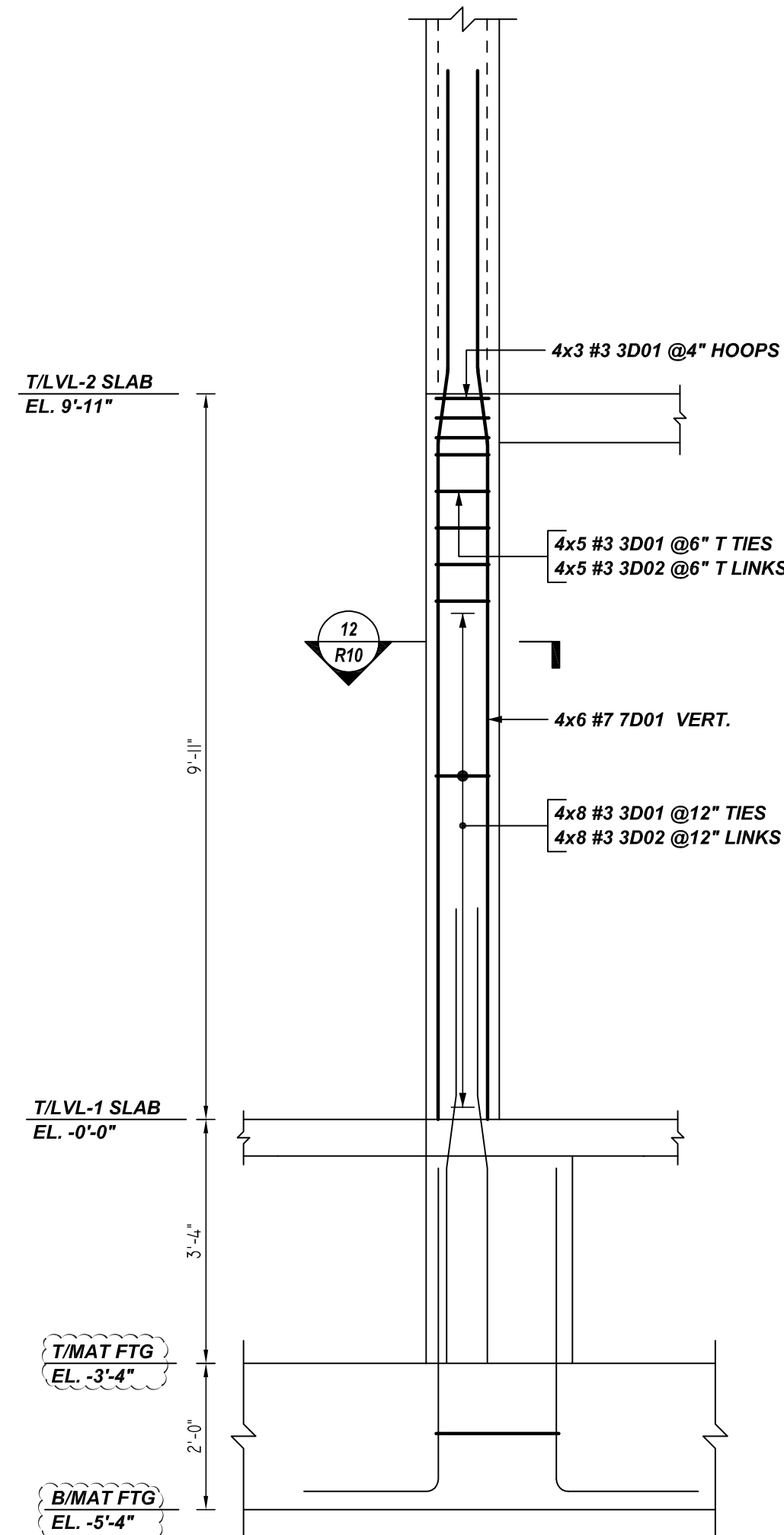


COLUMN SIZE-12" X 24"

COLUMN-15

REF: S-101.00 & S & S-102.00
SCALE: 1/2" = 1'-0"

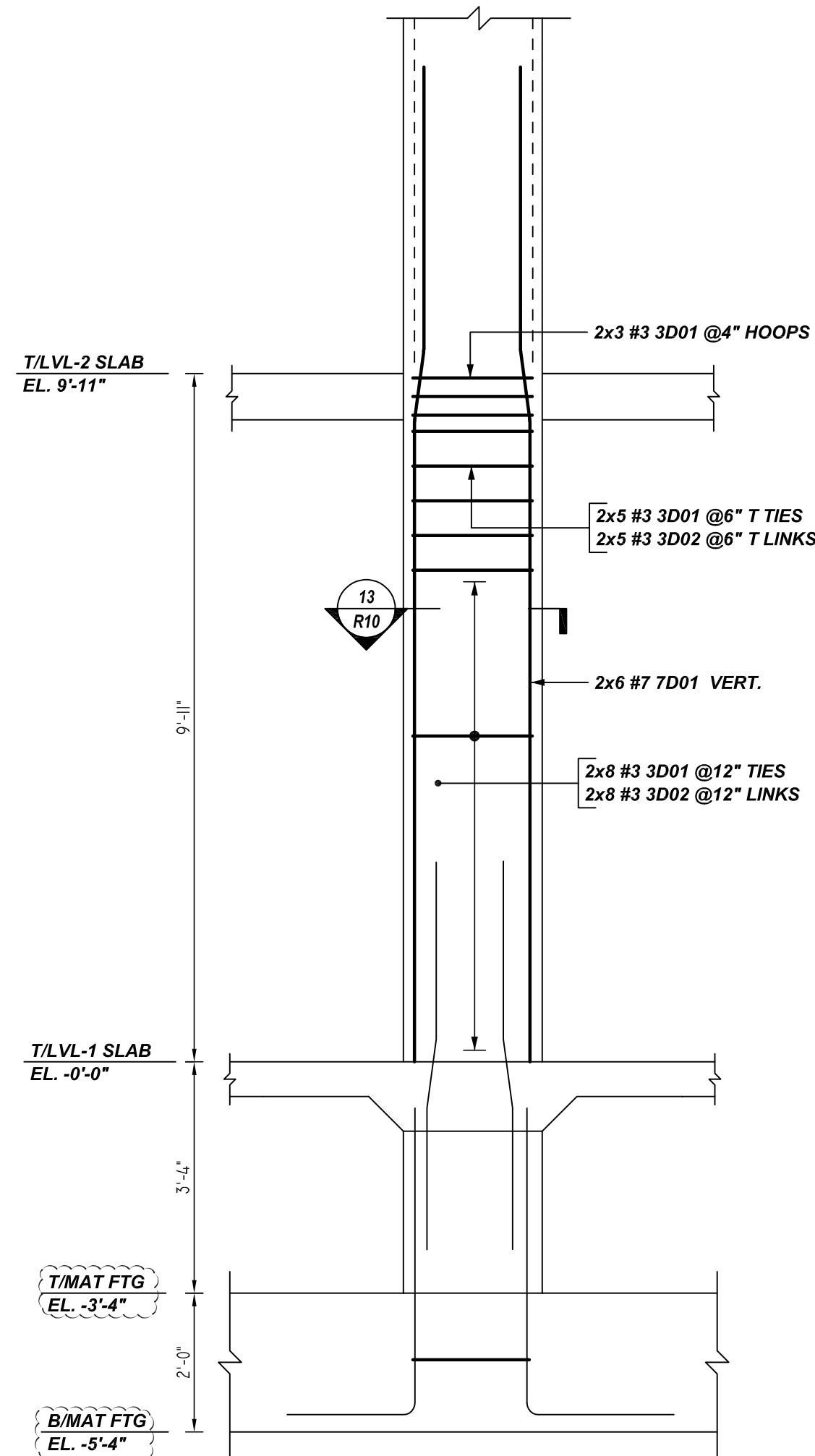
A/E PLEASE VERIFY COLUMN COLUMN PROFILE AND ELEVATION LEVELS (TYP.)



COLUMN SIZE-12" X 24"

COLUMN-16, 19, 20 & 22

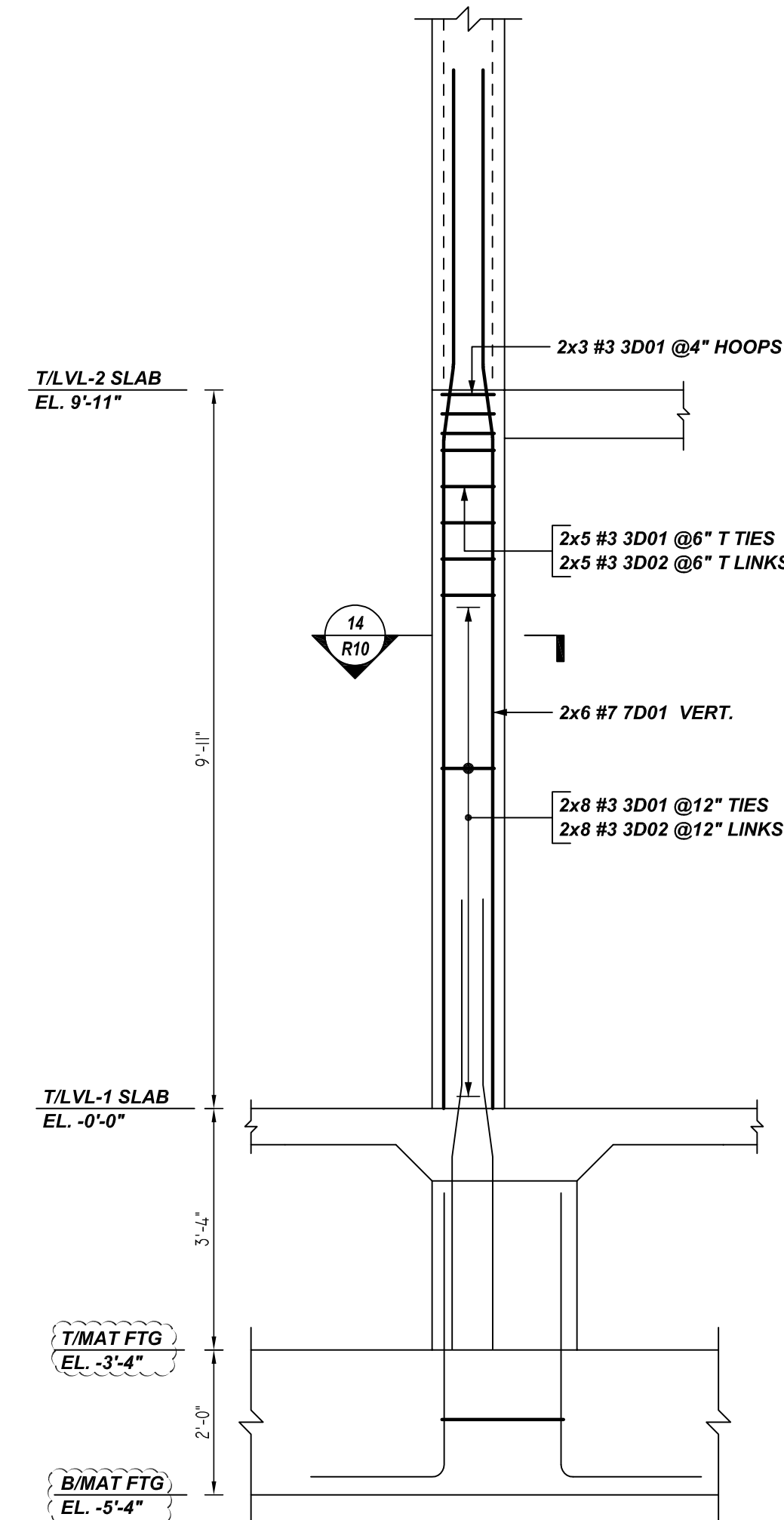
REF: S-101.00 & S & S-102.00
SCALE: 1/2" = 1'-0"
(@ 4 LOCATIONS)



COLUMN SIZE-12" X 24"

COLUMN-17 & 18

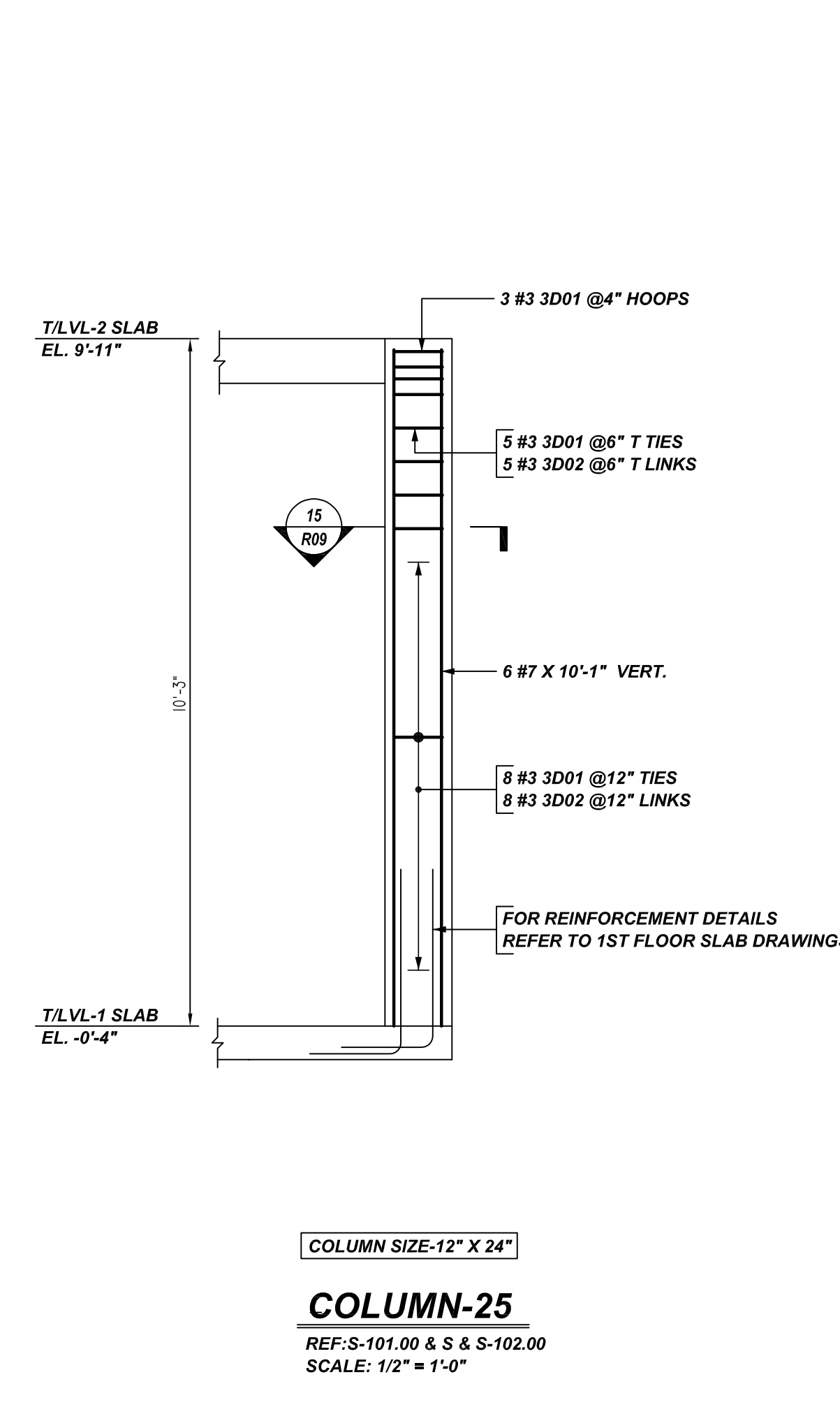
REF: S-101.00 & S & S-102.00
SCALE: 1/2" = 1'-0"
(@ 2 LOCATIONS)



COLUMN SIZE-12" X 24"

COLUMN-21 & 24

REF: S-101.00 & S & S-102.00
SCALE: 1/2" = 1'-0"
(@ 2 LOCATIONS)



COLUMN SIZE-12" X 24"

COLUMN-25

REF: S-101.00 & S & S-102.00
SCALE: 1/2" = 1'-0"

LAP SCHEDULE

5000 PSI (CLASS-B) CASE - 1
Per ACI 318 (12.2.2)

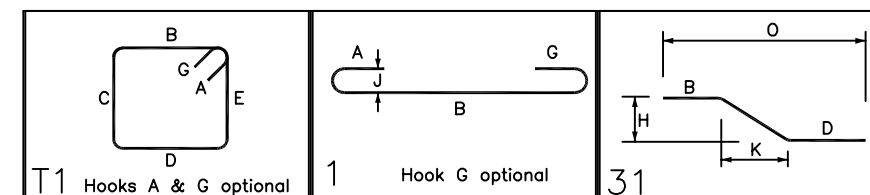
BAR#	LENGTHS	
	TOP	OTHERS
#3	22"	17"
#4	29"	22"
#5	36"	28"
#6	54"	42"
#7	63"	49"
#8	72"	56"
#9	81"	63"
#10	92"	71"
#11	127"	98"

ALL TOP BARS ARE DEFINED AS HORIZ BARS WITH MORE THAN 12" OF CONCRETE BELOW BARS.

TYPICAL REINFORCING BAR CLEARANCE TABLE	
LOCATION	MIN. COVER
COLUMN SIDE	2" CLR
COLUMN TIES	1 1/2" CLR

**ALL BARS IN THIS DRAWING
ASTM A615 GRADE 60
BLACK UNCOATED**

Release Number: R10		BENDING DETAILS													
Bar Mark	Qty	Size	Total Length	Type	X	Y	Z	W	V	U	T	S	R	Q	P
3001	180	#3	5'-8"	T1	0'-4"	0'-9"	1'-9"	0'-9"	1'-9"	0'-4"					
3002	130	#3	1'-7"	L	0'-5"	0'-9"			0'-5"	0'-3"					
7001	48	#7	14'-4"	S1	9'-3"	1'-0"	4'-11"		0'-2"	1'-0"	14'-4"				
7002	8	#7	14'-8"	S1	9'-7"	1'-0"	4'-11"		0'-2"	1'-0"	14'-8"				



FOR APPROVAL

GRADE	A615/60(UNO)		
PREFIX	D		
BAR LIST NOS.			
REV	DESCRIPTION	ISSUED DATE	ISSUED FOR
0	IFA	09/20/2022	APPROVAL
STRUCTURE: COLUMN REINFORCEMENT DETAILS			
FLOOR: 1ST TO 2ND FLOOR (0'-0" TO 9'-11")			
JOB NO: -			
CUSTOMER: -			
JOB: 31-27 CRESCENT ST			
LOCATION: LONG ISLAND, NY 11106			
DRAWN	DATE	CONTROL CODE	DWS. NO.
MRS	09/20/2020	-	R10