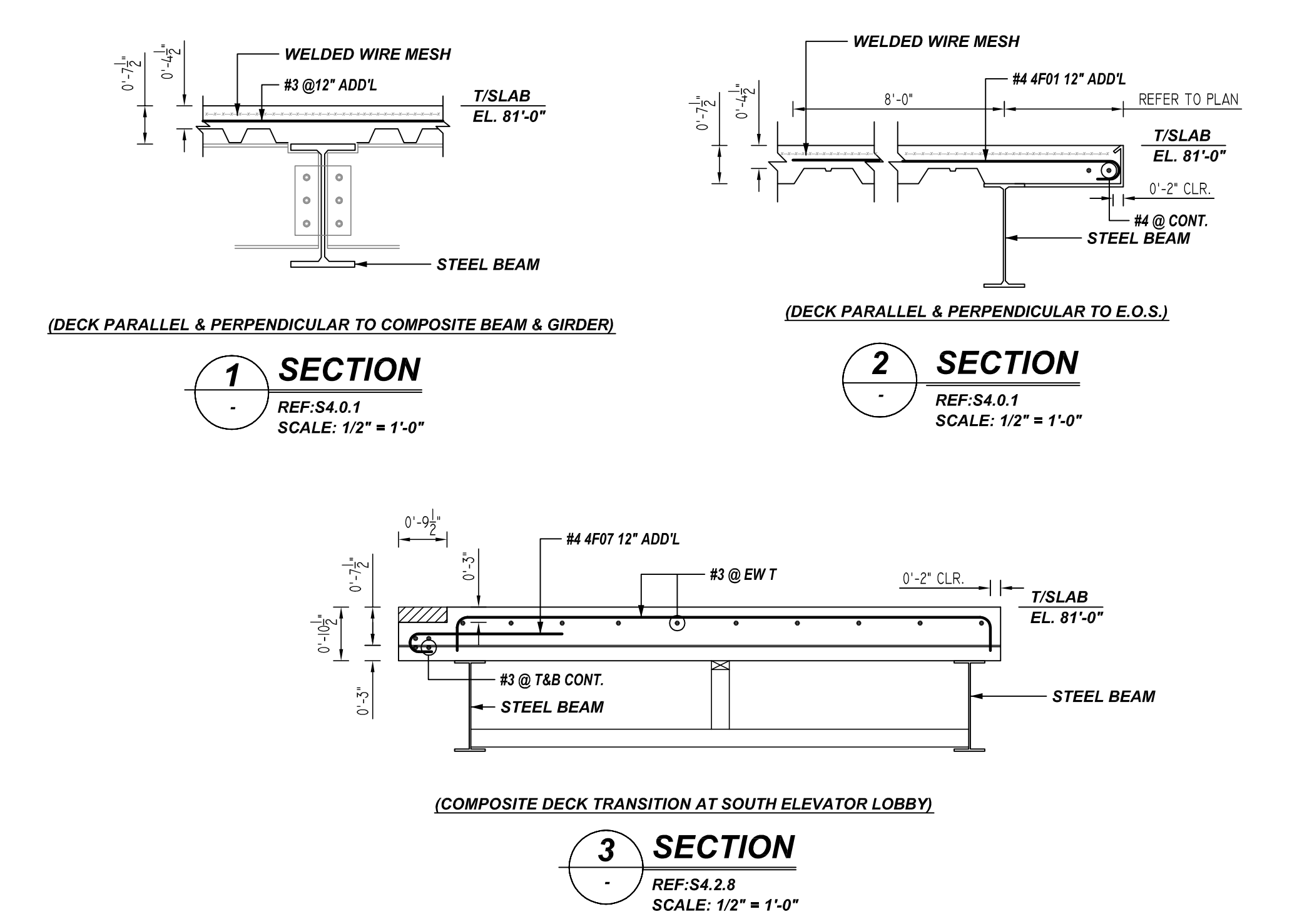
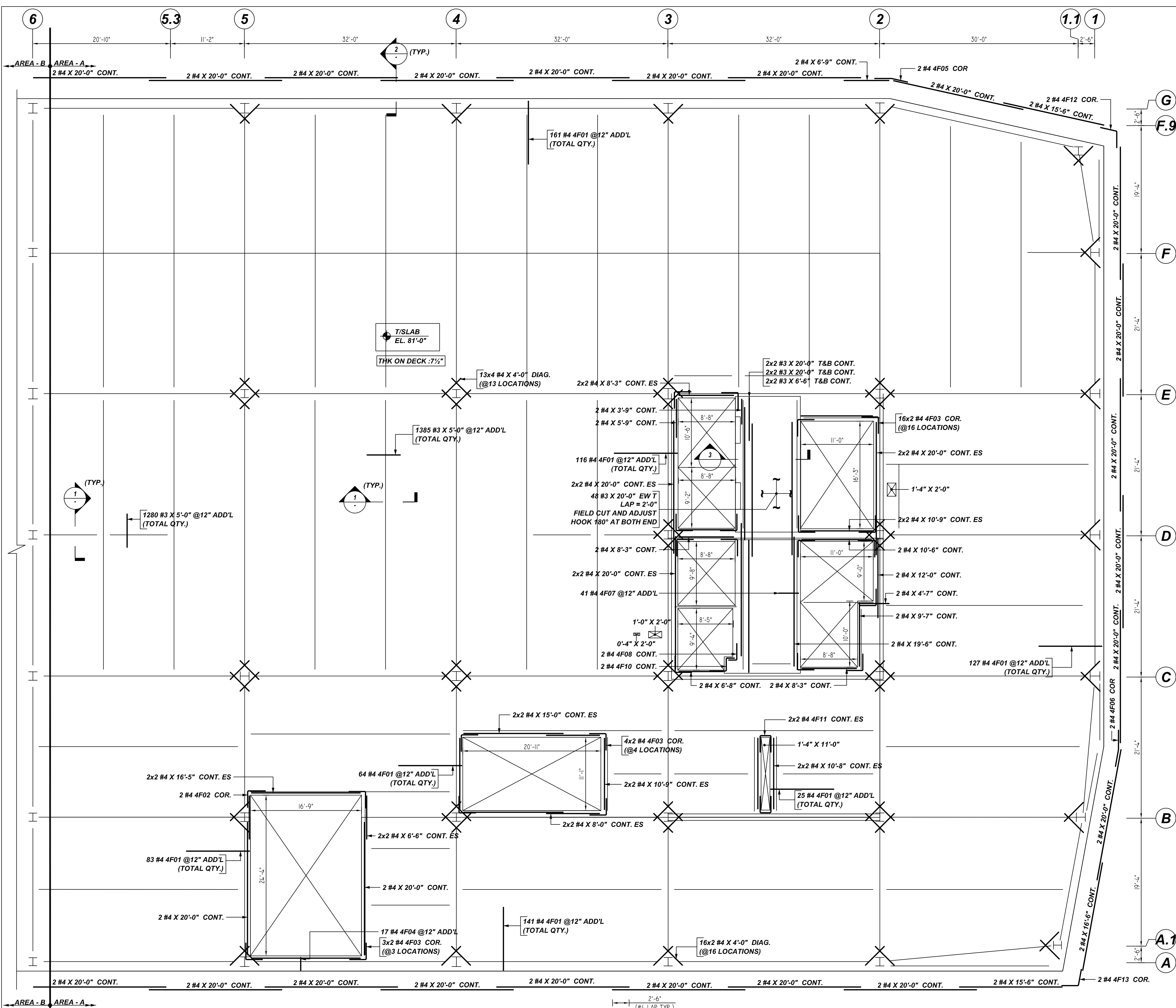


**NOTICE**

SHORTAGES, IMPROPER FABRICATION OR CLAIMS FOR ANY OTHER REASON MUST BE REPORTED TO THIS COMPANY WITHIN 10 DAYS FROM ORIGINAL DELIVERY. THIS COMPANY ALSO RESERVES THE RIGHT TO FIELD INSPECT MATERIALS PRIOR TO REPLACEMENT OR RECONDITIONING OF MATERIALS AND WILL NOT BE LIABLE FOR CHARGES FROM WORK DONE IN THE FIELD WITHOUT PRIOR AUTHORIZATION FROM THIS COMPANY.

REINFORCING STEEL PLACING DRAWING ONLY. USE IN CONJUNCTION WITH CONTRACT DRAWINGS & SPECIFICATIONS. ELEVATIONS & DIMENSIONS SHOWN ON DRAWING ARE FOR DETAILING PURPOSES ONLY AND SHOULD NOT BE USED FOR CONSTRUCTION UNLESS VERIFIED BY ENGINEER OR CONTRACTOR.



**LAP SCHEDULE**  
4000 PSI (CLASS-B) CASE - 1  
Per ACI 318 (12.2.2)

BAR#	LENGTHS	
	TOP	OTHERS
#3	2'-0"	1'-7"
#4	2'-8"	2'-1"
#5	3'-4"	2'-7"
#6	4'-0"	3'-1"
#8	6'-8"	5'-2"
#9	7'-7"	5'-10"
#10	8'-6"	6'-7"
#11	9'-5"	7'-3"

ALL TOP BARS ARE DEFINED AS HORIZ BARS WITH MORE THAN 12" OF CONCRETE BELOW BARS.

**TYPICAL REINFORCING BAR CLEARANCE TABLE**

LOCATION	MIN. COVER
SLAB TOP & BOTTOM	2" CLR
SLAB EDGE	2" CLR

**ALL BARS IN THIS DRAWING  
ASTM A615 GRADE 60  
BLACK UNCOATED**

**LEVEL-4 AREA-A SLAB ON DECK REINFORCEMENT DETAILS**  
REF: S2.2.4A  
SCALE: 1/8" = 1'-0"

**REBAR GRADE 60 ASTM A-615**

SPLICES USED		ABBREVIATIONS		BAR MARK SIZE EQUIVALENT	
<b>CLASS B 4,000 psi UNO</b>		ADD.	= Additional	Imperial	Soft Metric
TOP BARS	OTHER BARS	B.O.W.	= Bottom of wall	#3	#10
#3	#3	C.B.	= Corner Bars	#4	#13
#4	#4	DIAG.	= Diagonal	#5	#16
#5	#5	D.O.	= Door Opening	#6	#19
#6	#6	DWLS.	= Dowels	#7	#22
#7	#7	E.F.	= Each Face	#8	#25
#8	#8	E.S.	= Each Side	#9	#29
#9	#9	E.W.	= Each Way	#10	#32
#10	#10	FTG.	= Footing	#11	#36
#11	#11	F.F.	= Far Face		
#14	#14	HORIZ.	= Horizontal		
		I.F.	= Inside Face		
		INTERS.	= Intersection		
		L.W.	= long Way		
		N.F.	= Near Face		
		O.F.	= Outside Face		
		S.W.	= Short Way		
		T&B	= Top & Bottom		
		T.O.W.	= Top of Wall		
		Trans.	= Transverse		
		VERT.	= Vertical		

**VIRGINIA TECH**  
LEVEL-4 AREA-A SLAB ON DECK REINFORCEMENT DETAILS  
**ALEXANDRIA, VIRGINIA**

CUSTOMER: -  
DESIGNER: A&F ENGINEERS

REV NO	DATE	APPROVAL	REV NO	DATE	SENT FOR	DRAWN BY	DATE	JOB NO	SHEET NO.
0	04.13.22					GOW/MET	04.13.22	-	R08

