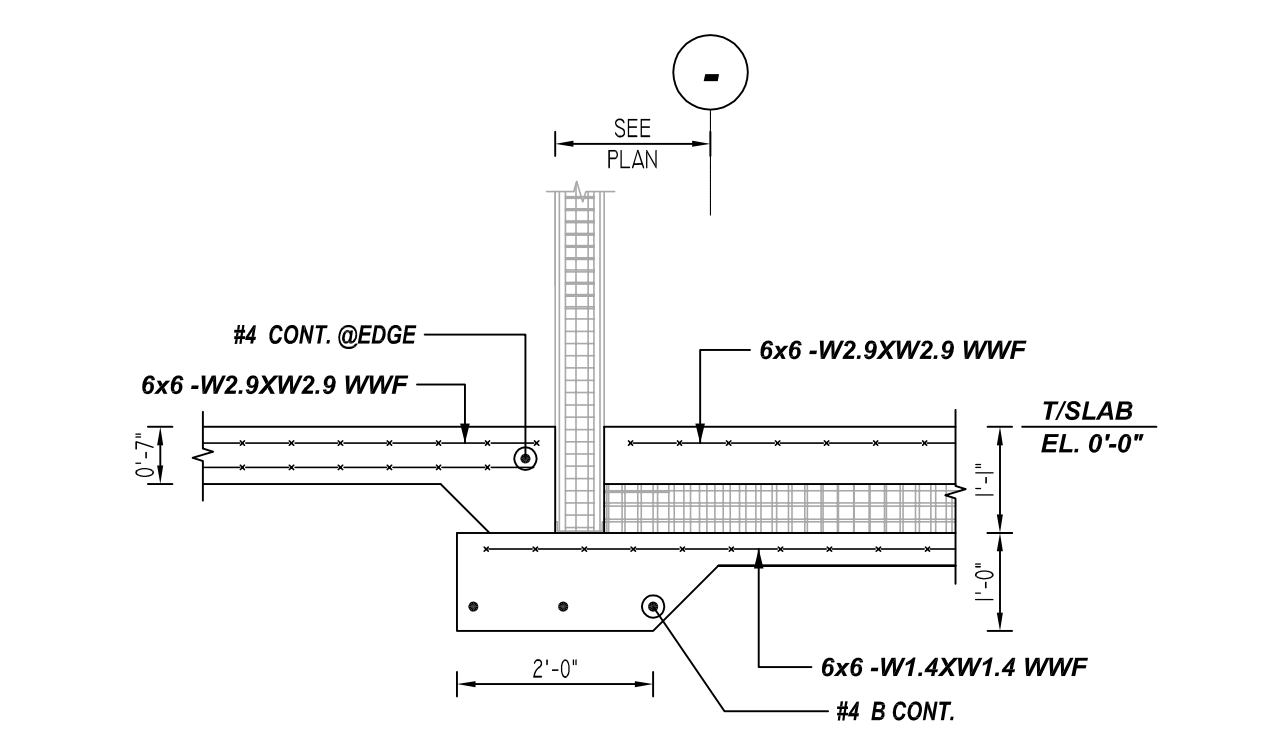
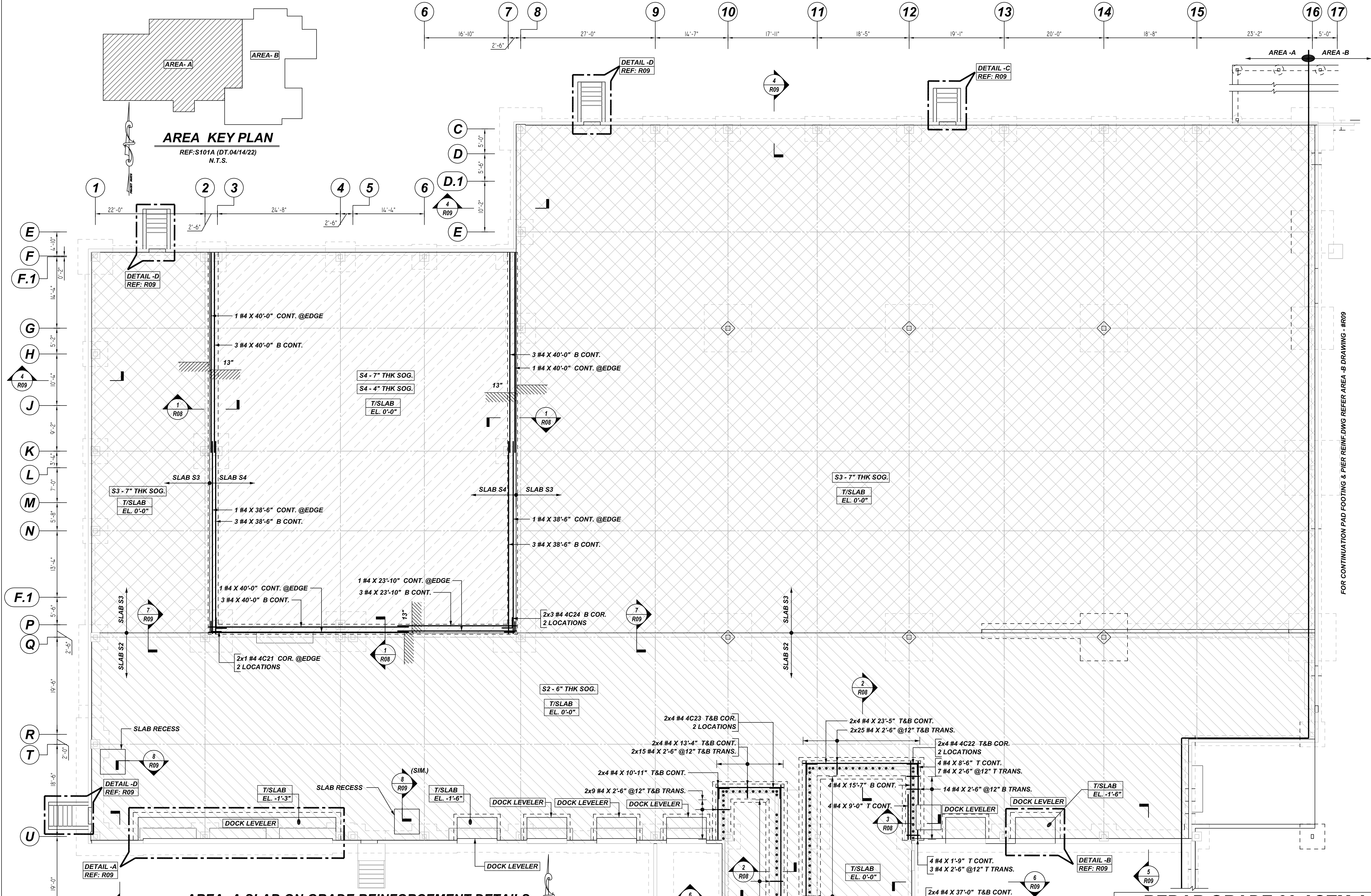
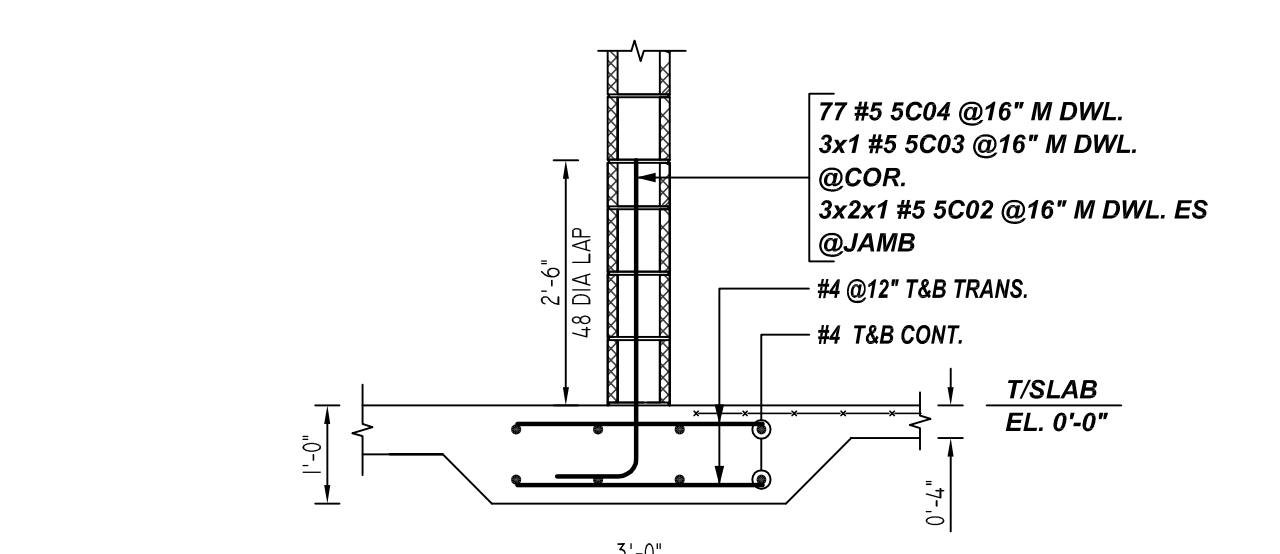


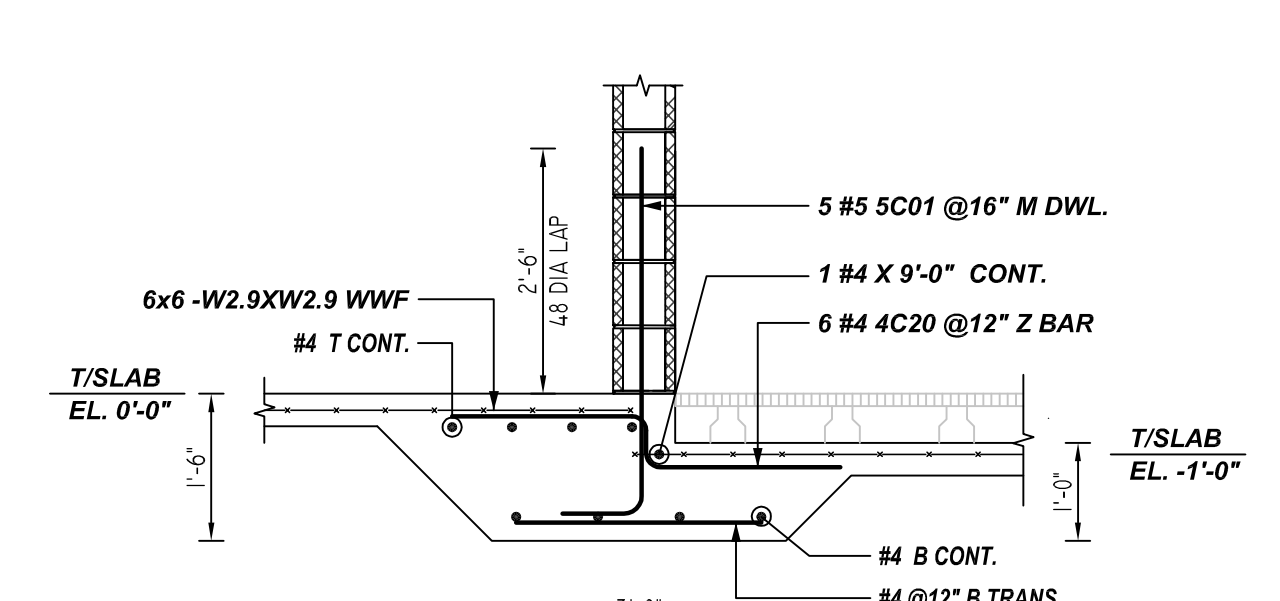
NOTICE
 SHORTAGES, IMPROPER FABRICATION OR CLAIMS FOR ANY OTHER REASON MUST BE REPORTED TO THIS COMPANY WITHIN 10 DAYS FROM ORIGINAL DELIVERY. THIS COMPANY ALSO RESERVES THE RIGHT TO FIELD INSPECT MATERIALS PRIOR TO REPLACEMENT OR RECONDITIONING OF MATERIALS AND WILL NOT BE LIABLE FOR CHARGES FROM WORK DONE IN THE FIELD WITHOUT PRIOR AUTHORIZATION FROM THIS COMPANY.
 REINFORCING STEEL PLACING DRAWING ONLY. USE IN CONJUNCTION WITH CONTRACT DRAWINGS & SPECIFICATIONS. ELEVATIONS & DIMENSIONS SHOWN ON DRAWING ARE FOR DETAILING PURPOSES ONLY AND SHOULD NOT BE USED FOR CONSTRUCTION UNLESS VERIFIED BY ENGINEER OR CONTRACTOR.



1 SECTION
 REF: 1&15/S502 (DT.04/14/22)
 SCALE: 1/2" = 1'-0"



2 SECTION
 REF: 5/S502 (DT.04/14/22)
 SCALE: 1/2" = 1'-0"



3 SECTION
 REF: 5/S503 (DT.04/14/22)
 SCALE: 1/2" = 1'-0"

AREA - A SLAB ON GRADE REINFORCEMENT DETAILS
 REF: S101A (DT.04/14/22)
 SCALE: 1/10" = 1'-10"

Bar Mark	Qty	Size	Total Length	Type	X	Y	Z	W	V	U	T	S	R	Q	P	O	N	M	L	K	J	I	H	G	F	E
4220	6	#4	4'-6 3/4"	20		2'-0"	0'-6 3/4"	2'-0"																		
4221	2	#4	4'-2 1/2"	17		2'-1"	2'-1"																			
4222	8	#4	4'-2 1/2"	17		2'-1"	2'-1"																			
4223	8	#4	4'-2 1/2"	17		2'-1"	2'-1"																			
4224	6	#4	4'-2 1/2"	17		2'-1"	2'-1"																			
5001	5	#5	4'-7 1/2"	2	0'-10"	3'-9"																				
5002	6	#5	4'-1 1/2"	2	0'-10"	3'-3"																				
5003	3	#5	4'-1 1/2"	2	0'-10"	3'-3"																				
5004	7	#5	4'-1 1/2"	2	0'-10"	3'-3"																				

TYPICAL REINFORCING BAR CLEARANCE TABLE

LOCATION	MIN. COVER
SLAB TOP	1" CLR
SLAB BOTTOM	2" CLR

MESH DETAILS

S. NO	ELEMENT	MESH SIZE	SHEETS	AREA	REMARK
1	S2-6" THK SLAB ON GRADE	6x6 - W2.9XW2.9 WWF	102	10480 SQ.FT	8'-0 X 15'-0" SHEET SIZE (15% LAP ADDED)
2	S3-7" THK SLAB ON GRADE	6x6 - W2.9XW2.9 WWF	175	18140 SQ.FT	8'-0 X 15'-0" SHEET SIZE (15% LAP ADDED)
3	S4-4" THK SLAB ON GRADE	6x6 - W1.4XW1.4 WWF	47	4700 SQ.FT	8'-0 X 15'-0" SHEET SIZE (15% LAP ADDED)
4	S4-7" THK SLAB ON GRADE	6x6 - W2.9XW2.9 WWF	47	4700 SQ.FT	8'-0 X 15'-0" SHEET SIZE (15% LAP ADDED)

REBAR GRADE 60 ASTM A-615

SPLICES USED		ABBREVIATIONS		BAR MARK SIZE EQUIVALENT	
CLASS B 4,000 psi UNO				Imperial	Soft Metric
TOP BARS	OTHER BARS	ADD.	= Additional	#3	#10
#3 24"	#3 19"	B.O.W.	= Bottom of wall	#4	#13
#4 32"	#4 25"	C.B.	= Corner Bars	#5	#16
#5 40"	#5 31"	DIAG.	= Diagonal	#6	#19
#6 48"	#6 37"	D.O.	= Door Opening	#7	#22
#7 70"	#7 54"	DWL.	= Dowels	#8	#25
#8 80"	#8 62"	E.F.	= Each Face	#9	#29
#9 91"	#9 70"	E.S.	= Each Side	#10	#32
#10 102"	#10 79"	E.W.	= Each Way	#11	
#11 113"	#11 87"	FTG.	= Footing		
#14	#14	F.F.	= Far Face		
		HORIZ.	= Horizontal		
		I.F.	= Inside Face		
		INTERS.	= Intersection		
		L.W.	= Long Way		
		N.F.	= Near Face		
		O.F.	= Outside Face		
		S.W.	= Short Way		
		T&B	= Top & Bottom		
		T.O.W.	= Top of Wall		
		TRANS.	= Transverse		
		VERT.	= Vertical		

FOOD BANK OF DELAWARE
 AREA - A SLAB ON GRADE REINFORCEMENT DETAILS
 MILFORD, DE 19963

CUSTOMER: -
 DESIGNER: -

0	05.20.22	APPROVAL			
REV NO	DATE	SENT FOR	REV NO	DATE	SENT FOR

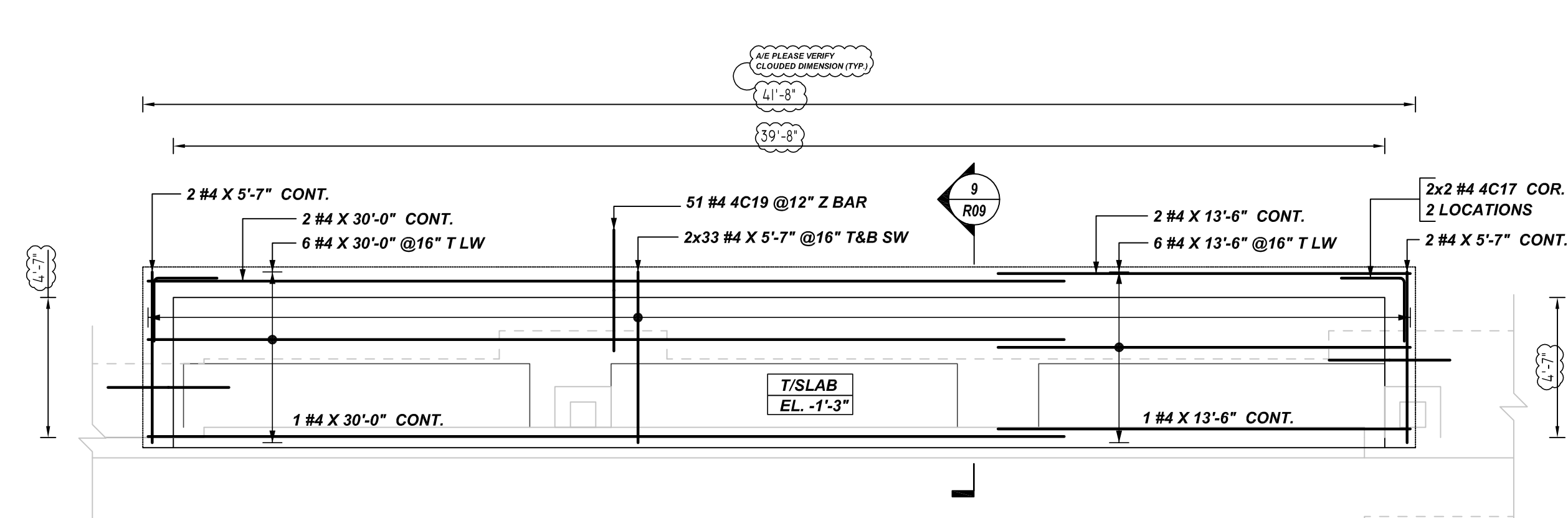
DRAWN BY: RS/SS DATE: 05.20.22 JOB NO: - SHEET NO: R08

ALL BARS IN THIS DRAWING
 ASTM A615 GRADE 60
 BLACK UNCOATED

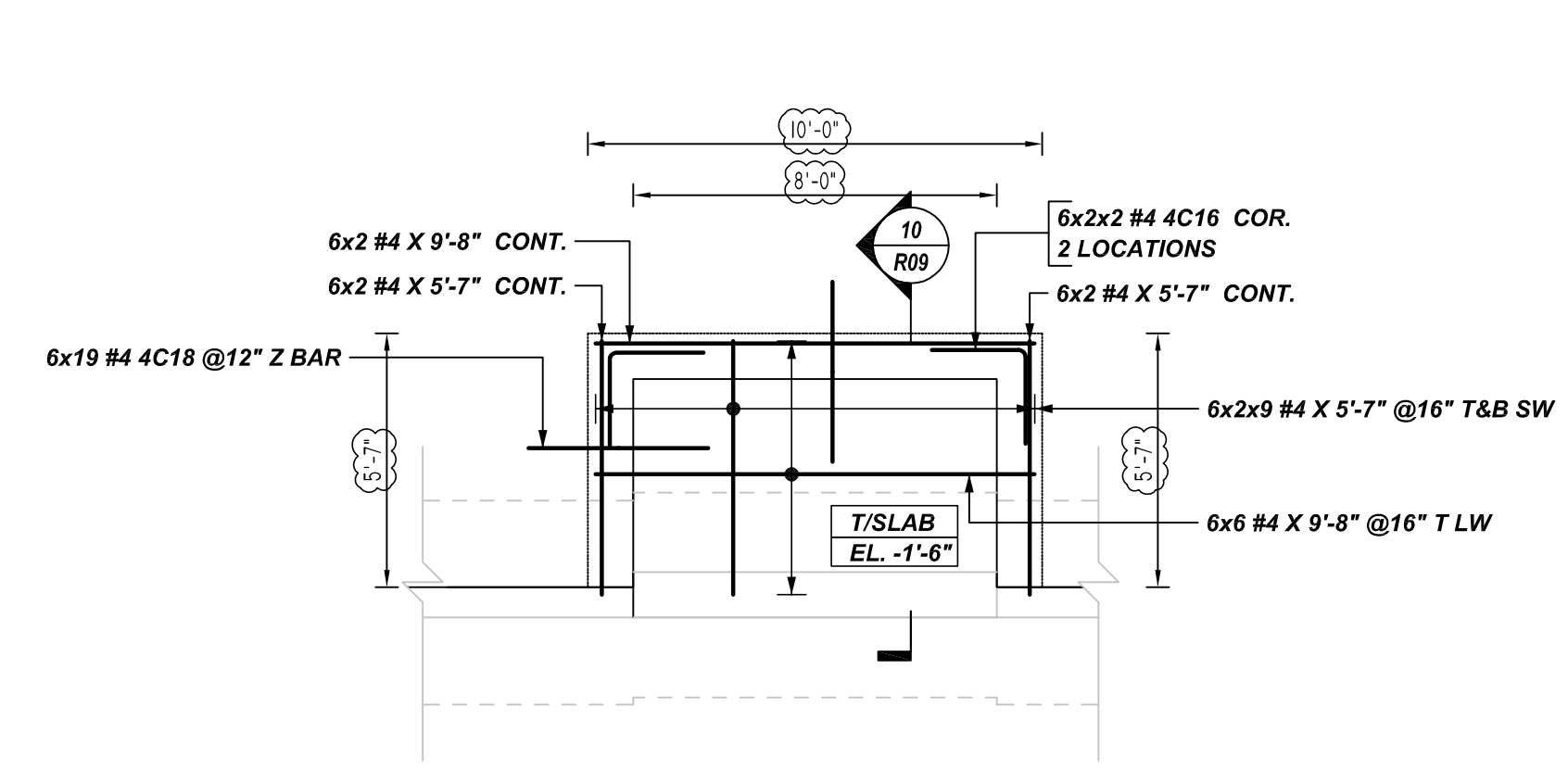
NOTICE

SHORTAGES, IMPROPER FABRICATION OR CLAIMS FOR ANY OTHER REASON MUST BE REPORTED TO THIS COMPANY WITHIN 10 DAYS FROM ORIGINAL DELIVERY. THIS COMPANY ALSO RESERVES THE RIGHT TO FIELD INSPECT MATERIALS PRIOR TO REPLACEMENT OR RECONDITIONING OF MATERIALS AND WILL NOT BE LIABLE FOR CHARGES FROM WORK DONE IN THE FIELD WITHOUT PRIOR AUTHORIZATION FROM THIS COMPANY.

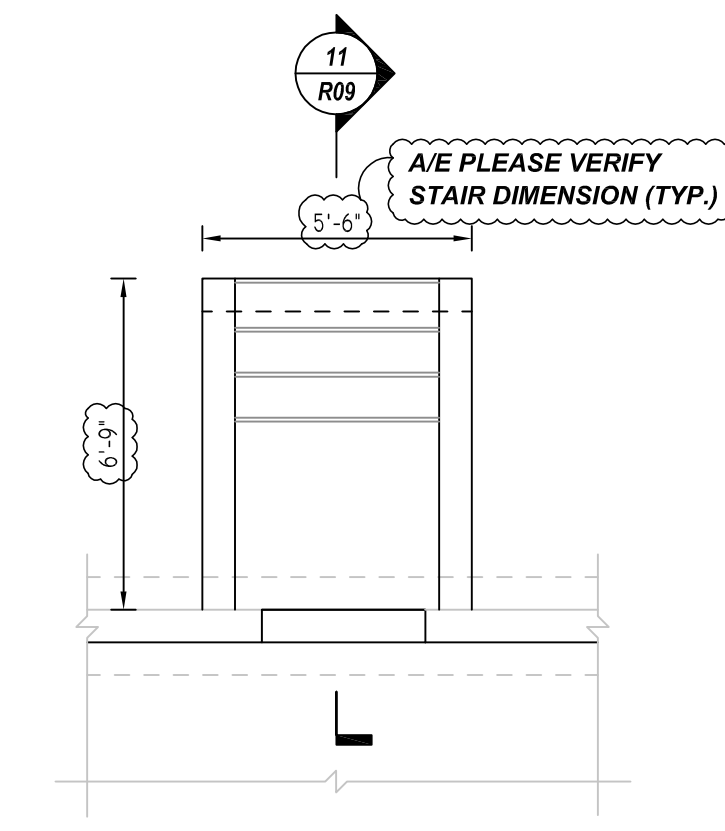
REINFORCING STEEL PLACING DRAWING ONLY. USE IN CONJUNCTION WITH CONTRACT DRAWINGS & SPECIFICATIONS. ELEVATIONS & DIMENSIONS SHOWN ON DRAWING ARE FOR DETAILING PURPOSES ONLY AND SHOULD NOT BE USED FOR CONSTRUCTION UNLESS VERIFIED BY ENGINEER OR CONTRACTOR.



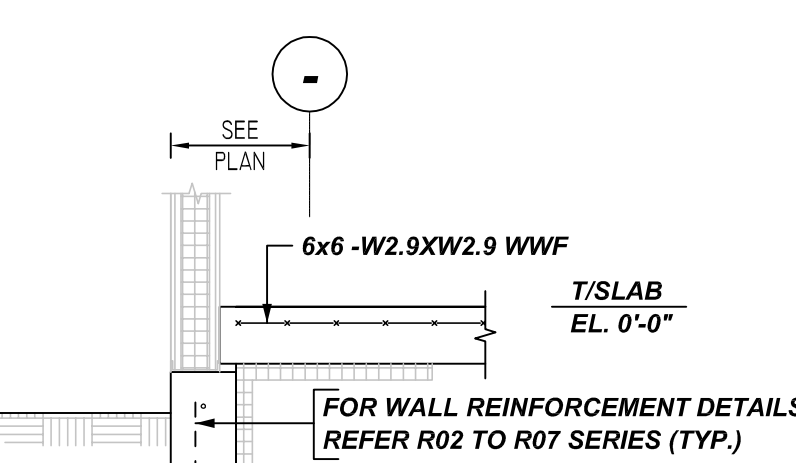
A DETAIL
REF: S101A&S503 (DT.04/14/22)
SCALE: 1/4" = 1'-0"



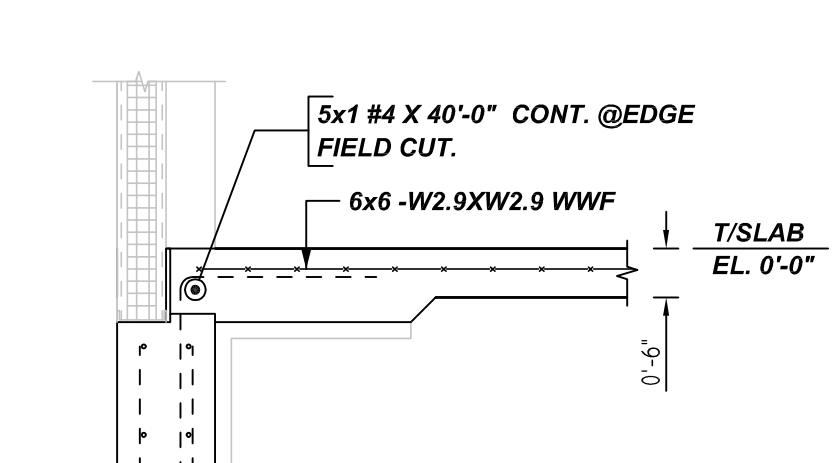
B DETAIL
REF: S101A&S503 (DT.04/14/22)
SCALE: 1/4" = 1'-0"
@6 LOCATIONS



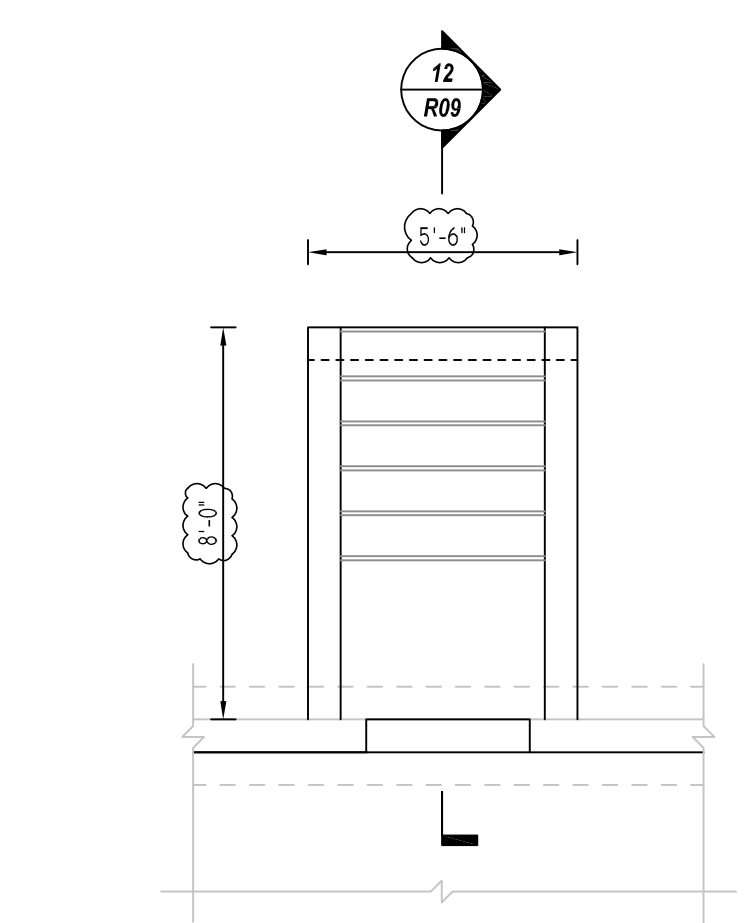
C DETAIL
REF: S101A&S501 (DT.04/14/22)
SCALE: 1/4" = 1'-0"



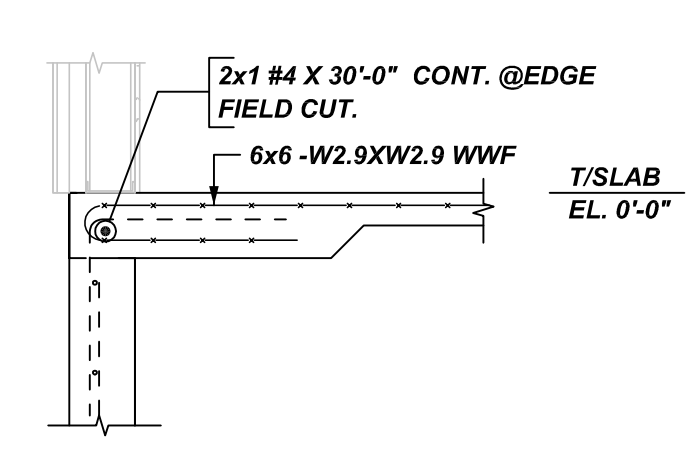
4 SECTION
REF: 3/S502 (DT.04/14/22)
SCALE: 1/2" = 1'-0"



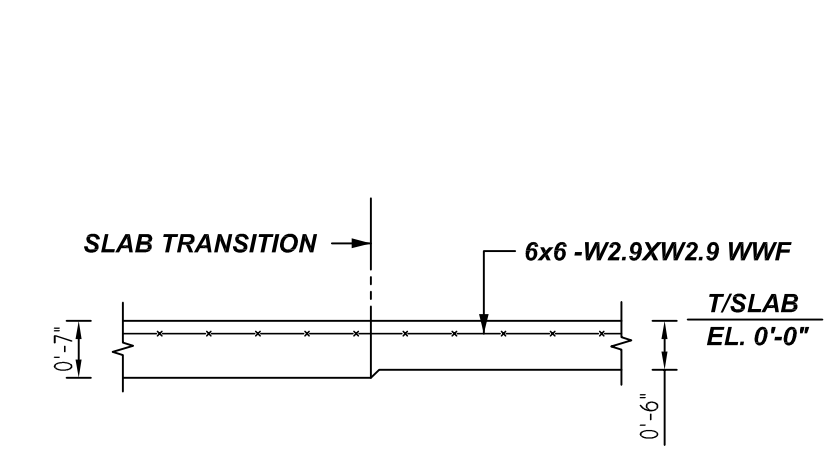
5 SECTION
REF: 2,2A/S503 (DT.04/14/22)
SCALE: 1/2" = 1'-0"



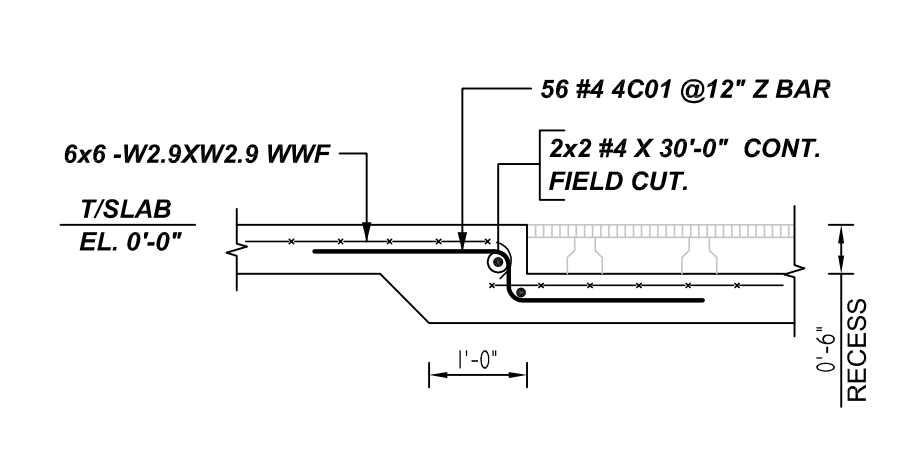
D DETAIL
REF: S101A&S501 (DT.04/14/22)
SCALE: 1/4" = 1'-0"
@3 LOCATIONS



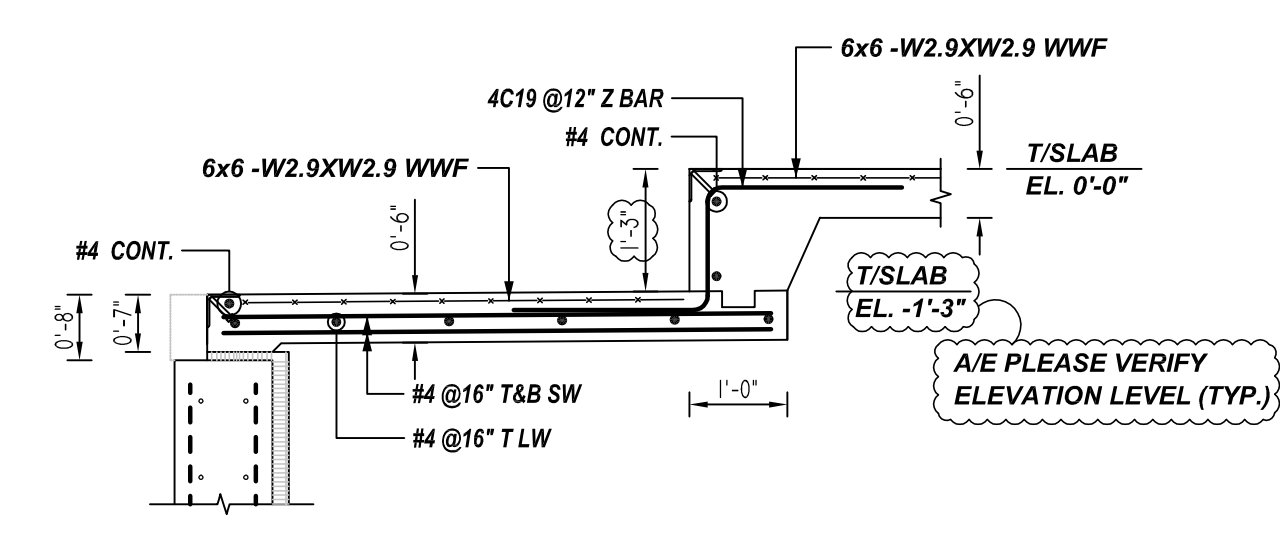
6 SECTION
REF: 6,7/S503 (DT.04/14/22)
SCALE: 1/2" = 1'-0"



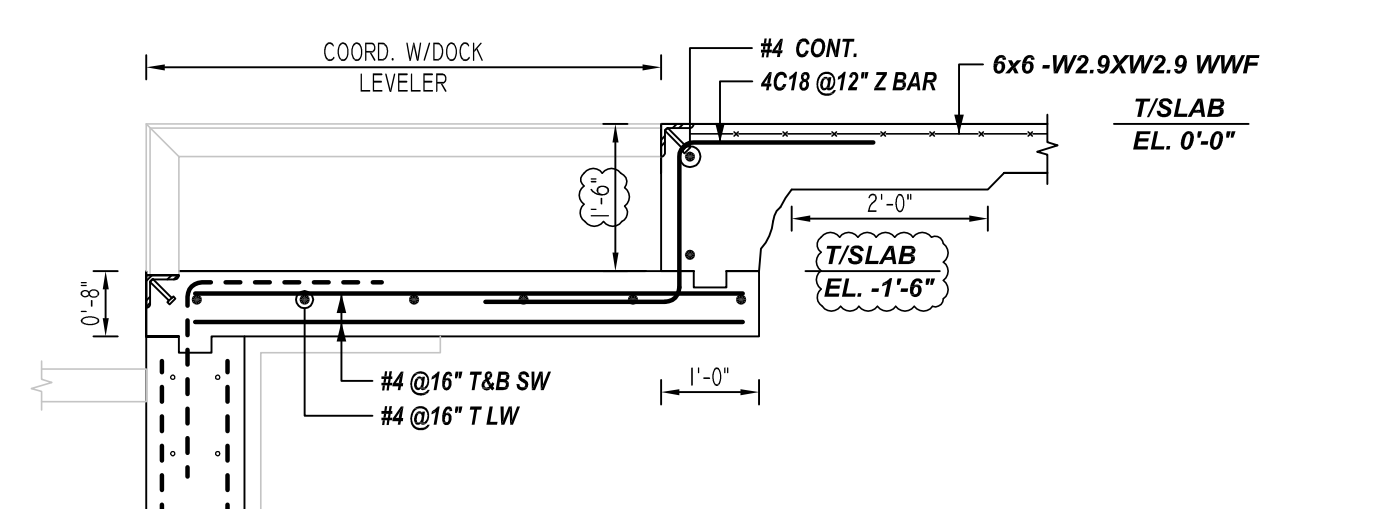
7 SECTION
REF: 11/S502 (DT.04/14/22)
SCALE: 1/2" = 1'-0"



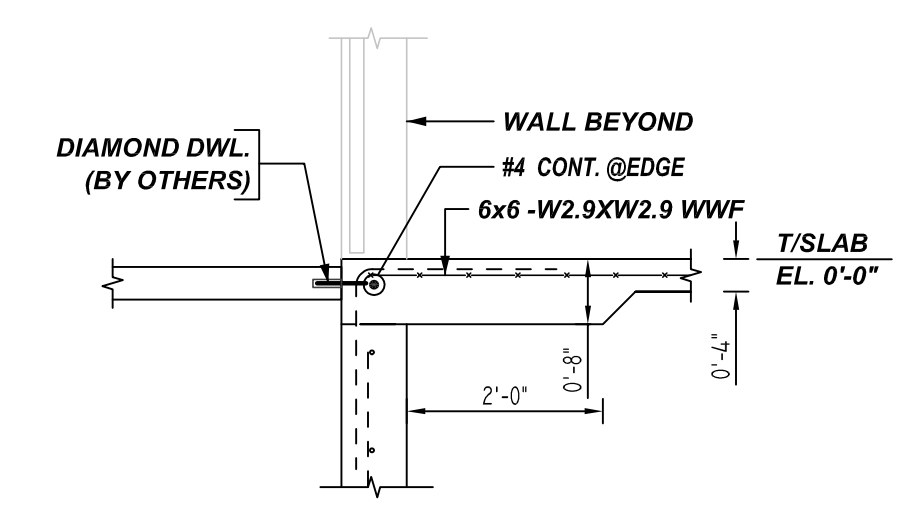
8 SECTION
REF: S503 (DT.04/14/22)
SCALE: 1/2" = 1'-0"



9 SECTION
REF: 9/S503 (DT.04/14/22)
SCALE: 1/2" = 1'-0"

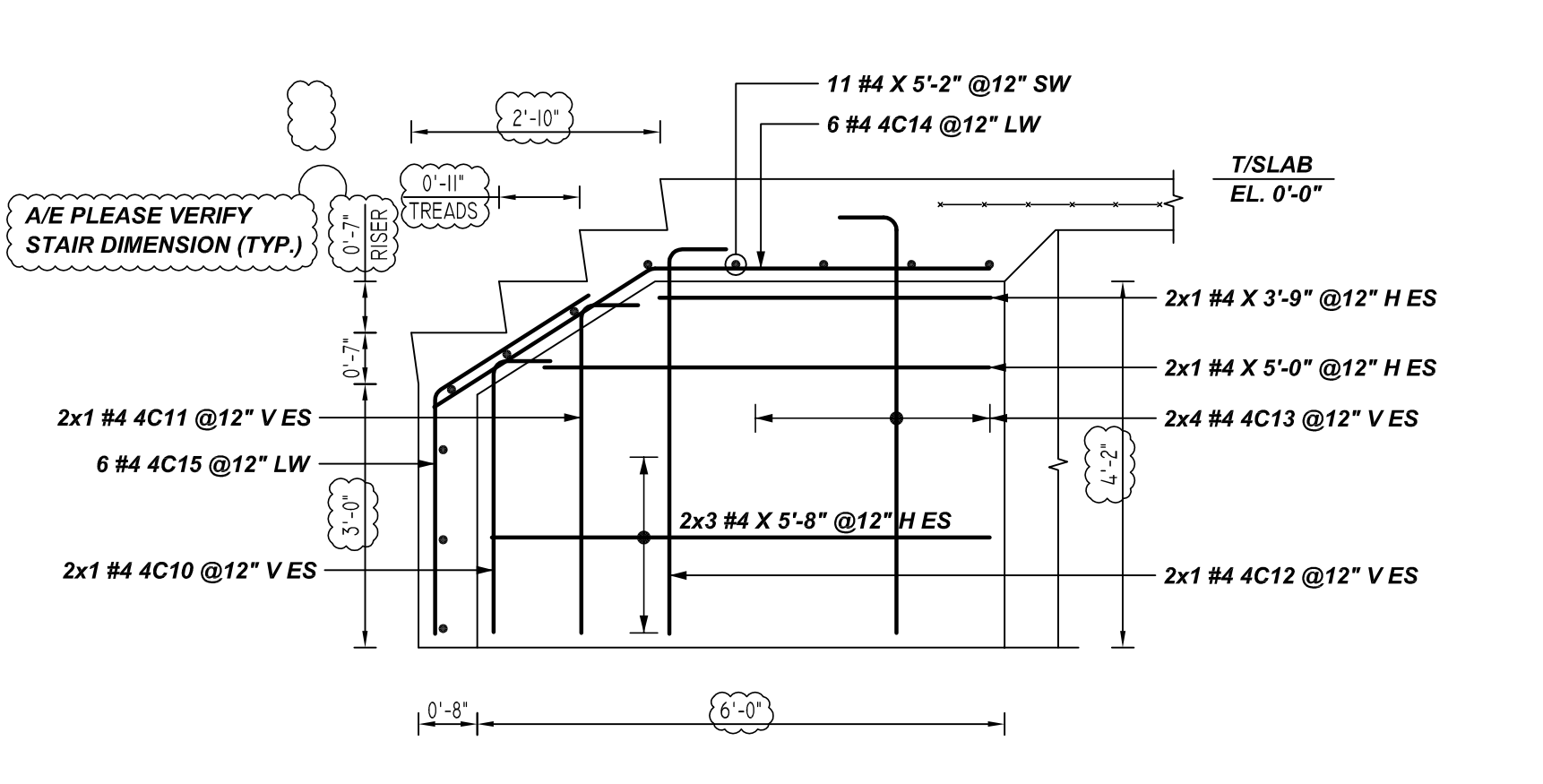


10 SECTION
REF: 1/S503 (DT.04/14/22)
SCALE: 1/2" = 1'-0"
@6 LOCATIONS

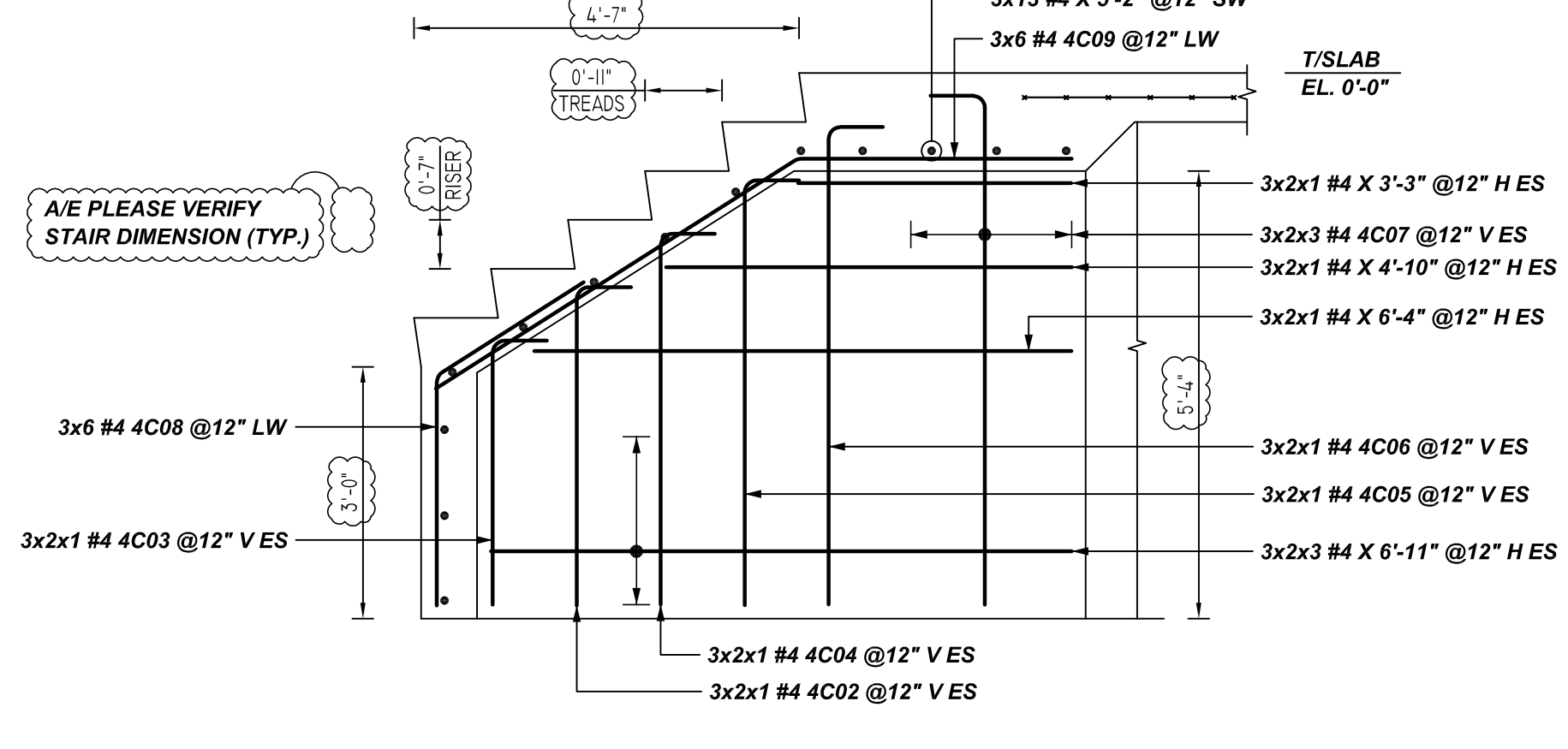


13 SECTION
REF: 12/S502 (DT.04/14/22)
SCALE: 1/2" = 1'-0"

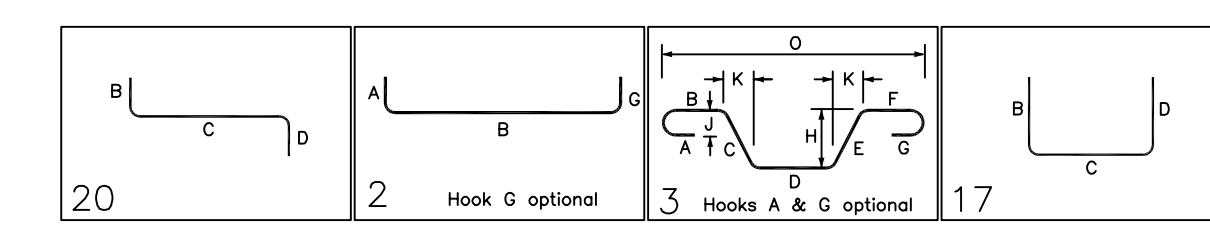
Bar Mark	Qty	Size	Total Length	Type	X	Y	Z	U	V	W	X	Y	Z	U	V	W	
4C01	56	#4	4'-8 1/2"	20			2'-0"			0'-6 3/4"							
4C02	6	#4	4'-5 1/2"	2	0'-8"					3'-9 1/2"							
4C03	4	#4	3'-10"	2	0'-8"					3'-2"							
4C04	6	#4	5'-1 1/2"	2	0'-8"					4'-5 1/2"							
4C05	6	#4	5'-9"	2	0'-8"					5'-1"							
4C06	6	#4	6'-4 1/2"	2	0'-8"					5'-8 1/2"							
4C07	18	#4	6'-9"	2	0'-8"					6'-1"							
4C08	18	#4	4'-9 1/2"	3			2'-1"			2'-8 1/2"							
4C09	18	#4	8'-4 1/2"	3			3'-3 1/2"			5'-1"				2'-4"		1'-5 1/2"	3'-8 1/2"
4C10	2	#4	3'-9 1/2"	2	0'-8"					3'-1 1/2"							
4C11	2	#4	4'-5"	2	0'-8"					3'-8"							
4C12	2	#4	5'-0 1/2"	2	0'-8"					4'-4 1/2"							
4C13	8	#4	5'-5"	2	0'-8"					4'-9"							
4C14	6	#4	6'-9 1/2"	3			2'-11 1/2"			3'-10 1/2"				2'-1 1/2"		3'-2 1/2"	6'-2"
4C15	6	#4	4'-9 1/2"	3			2'-1"			2'-8 1/2"				2'-4"		1'-5 1/2"	3'-8 1/2"
4C16	24	#4	4'-2 1/2"	17			2'-1"			2'-1"							
4C17	4	#4	4'-2 1/2"	17			2'-1"			2'-1"							
4C18	114	#4	5'-8"	20			2'-0"			1'-6"				2'-0"			
4C19	51	#4	5'-3 1/2"	20			2'-0"			1'-3 1/2"				2'-0"			



11 SECTION
REF: S101A&S501 (DT.04/14/22)
SCALE: 1/2" = 1'-0"
A/E PLEASE VERIFY PROFILE & BAR ARRANGEMENT WE FOLLOWED



12 SECTION
REF: S101A&S501 (DT.04/14/22)
SCALE: 1/2" = 1'-0"
@3 LOCATIONS
A/E PLEASE VERIFY PROFILE & BAR ARRANGEMENT WE FOLLOWED



**ALL BARS IN THIS DRAWING
ASTM A615 GRADE 60
BLACK UNCOATED**

TYPICAL REINFORCING BAR CLEARANCE TABLE	
LOCATION	MIN. COVER
SLAB TOP	1" CLR
SLAB BOTTOM	2" CLR

REBAR GRADE 60 ASTM A-615

SPLICES USED		ABBREVIATIONS	BAR MARK SIZE EQUIVALENT	
CLASS B 4,000 psi UNO			Imperial	Soft Metric
TOP BARS	OTHER BARS	ADD. = Additional	#3	#10
#3 24"	#3 19"	B.O.W. = Bottom of wall	#4	#13
#4 32"	#4 25"	C.S. = Corner Bars	#5	#16
#5 40"	#5 31"	DIAG. = Diagonal	#6	#19
#6 48"	#6 37"	D.O. = Door Opening	#7	#22
#7 70"	#7 54"	DWLS. = Dowels	#8	#25
#8 80"	#8 62"	E.F. = Each Face	#9	#29
#9 91"	#9 70"	E.S. = Each Side	#10	#32
#10 102"	#10 79"	E.W. = Each Way	#11	#36
#11 113"	#11 87"	FTG. = Footing		
#14	#14	F.F. = Far Face		
		HORIZ. = Horizontal		
		I.F. = Inside Face		
		INTERS. = Intersection		
		L.W. = Long Way		
		N.F. = Near Face		
		O.F. = Outside Face		
		S.W. = Short Way		
		T&B = Top & Bottom		
		T.O.W. = Top of Wall		
		Trans. = Transverse		
		VERT. = Vertical		

FOOD BANK OF DELAWARE
AREA - A SLAB ON GRADE REINFORCEMENT DETAILS
MILFORD, DE 19963

CUSTOMER: -
DESIGNER: -

REV NO	DATE	APPROVAL	REV NO	DATE	SENT FOR	DRAWN BY	DATE	JOB NO	SHEET NO.
0	05.20.22					RS/SS	05.20.22	-	R09