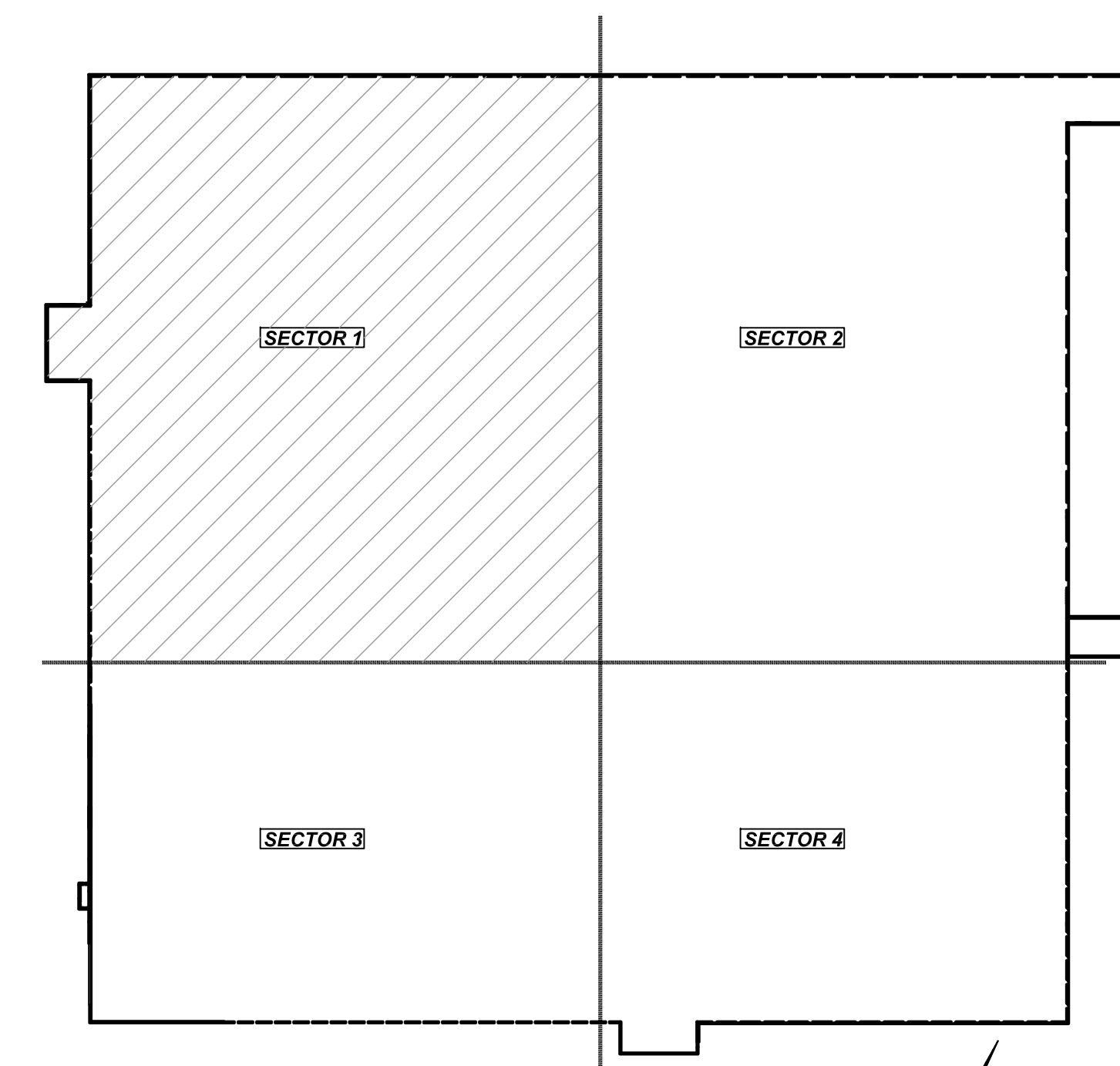
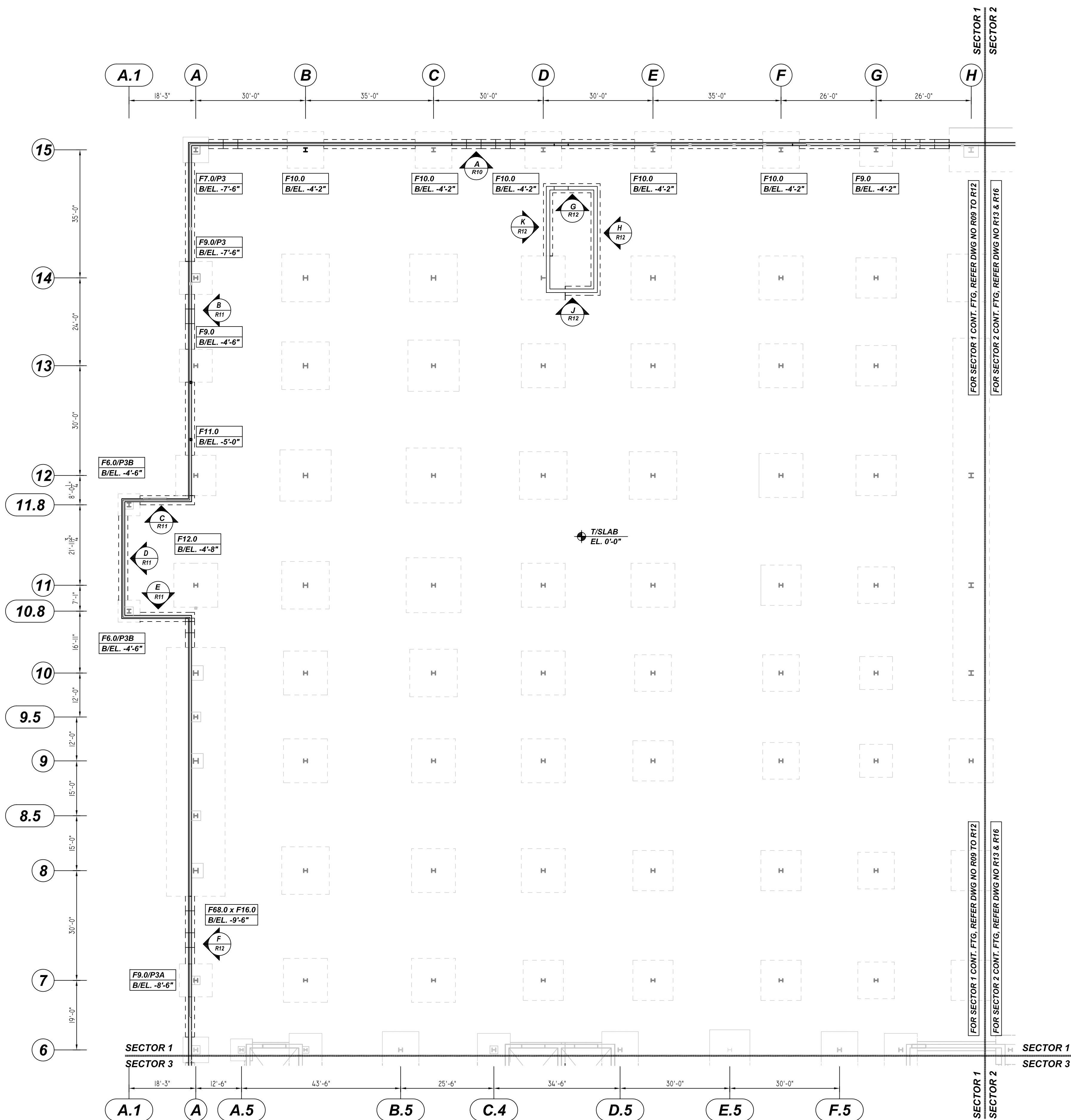


NOTICE

SHORTAGES, IMPROPER FABRICATION OR CLAIMS FOR ANY OTHER REASON MUST BE REPORTED TO THIS COMPANY WITHIN 10 DAYS FROM ORIGINAL DELIVERY. THIS COMPANY ALSO RESERVES THE RIGHT TO FIELD INSPECT MATERIALS PRIOR TO REPLACEMENT OR RECONDITIONING OF MATERIALS AND WILL NOT BE LIABLE FOR CHARGES FROM WORK DONE IN THE FIELD WITHOUT PRIOR AUTHORIZATION FROM THIS COMPANY.

REINFORCING STEEL PLACING DRAWING ONLY. USE IN CONJUNCTION WITH CONTRACT DRAWINGS & SPECIFICATIONS. ELEVATIONS & DIMENSIONS SHOWN ON DRAWING ARE FOR DETAILING PURPOSES ONLY AND SHOULD NOT BE USED FOR CONSTRUCTION UNLESS VERIFIED BY ENGINEER OR CONTRACTOR.



DP1 BUILDING KEYPLAN
REF: S1.1(DT.07/29/22)
N.T.S

DP-1 BUILDING SECTOR 1 CONTINUOUS FOOTING & WALL DOWEL REINFORCEMENT DETAILS

REF: S2.1.1(DT.07/29/22)
SCALE: 1/16" = 1'-0"

TYPICAL REINFORCING BAR CLEARANCE TABLE	
LOCATION	MIN. COVER
FOOTING SIDE & BOTTOM	3" CLR
FOOTING TOP	2" CLR
WALL TOP	1.5" CLR

PLEASE VERIFY
FTG. & WALL TOP COVER

REBAR GRADE 60 ASTM A-615

SPLICES USED		ABBREVIATIONS		BAR MARK SIZE EQUIVALENT	
CLASS B 4,500 psi UNO				Imperial	Soft Metric
TOP BARS	OTHER BARS	ADD.	Additional	#3	#10
#3 24"	#3 19"	B.O.W.	Bottom of wall	#4	#13
#4 32"	#4 24"	C.B.	Corner Bars	#5	#16
#5 39"	#5 30"	DIAG.	Diagonal	#6	#19
#6 46"	#6 36"	D.O.	Door Opening	#7	#22
#7 67"	#7 52"	DWLS.	Dowels	#8	#25
#8 77"	#8 59"	E.F.	Each Face	#9	#29
#9 86"	#9 67"	E.S.	Each Side	#10	#32
#10 95"	#10 73"	E.W.	Each Way	#11	#36
#11 104"	#11 81"	FTG.	Footing		
#14		F.F.	Far Face		
		HORIZ.	Horizontal		
		I.F.	Inside Face		
		INTERS.	Intersection		
		L.W.	Long Way		
		N.F.	Near Face		
		O.F.	Outside Face		
		S.W.	Short Way		
		T&B	Top & Bottom		
		T.O.W.	Top of Wall		
		Trans.	Transverse		
		VERT.	Vertical		

REV NO	DATE	APPROVAL	REV NO	DATE	SENT FOR
0	08.11.22				

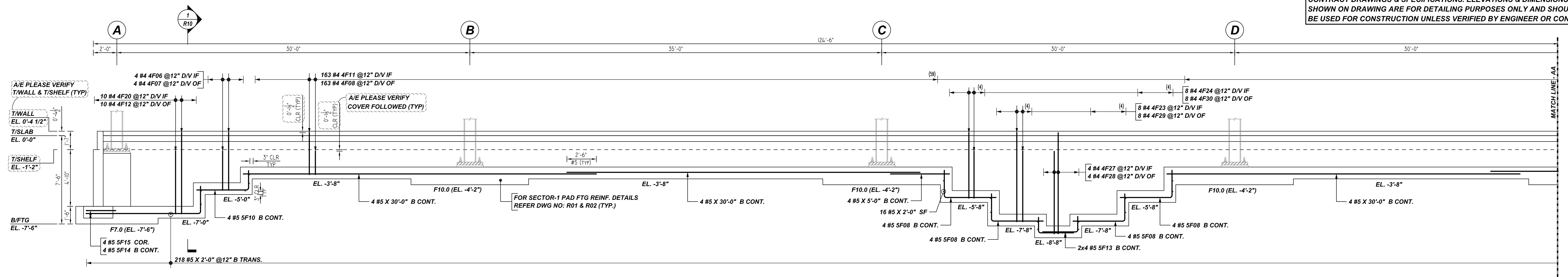
STA PHARMACEUTICAL MIDDLETOWN EXPANSION DP-1
DP-1 BUILDING SECTOR 1 CONTINUOUS FOOTING & WALL DOWEL REINFORCEMENT DETAILS
MIDDLETOWN, DE 19709

CUSTOMER: -			
DESIGNER: -			
DRAWN BY	DATE	JOB NO	SHEET NO.
JSN/MET	08.11.22	-	R09

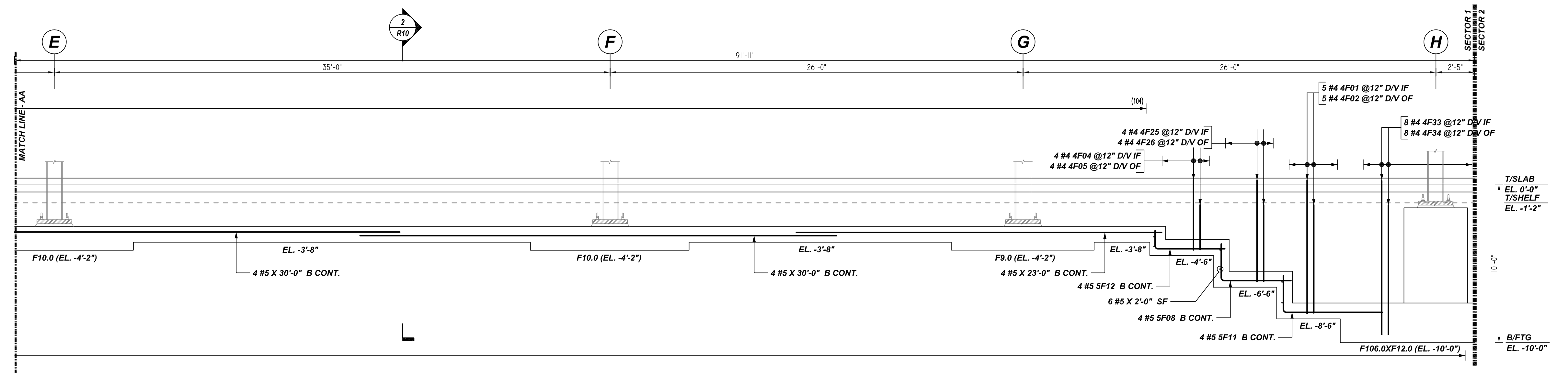
NOTICE

SHORTAGES, IMPROPER FABRICATION OR CLAIMS FOR ANY OTHER REASON MUST BE REPORTED TO THIS COMPANY WITHIN 10 DAYS FROM ORIGINAL DELIVERY. THIS COMPANY ALSO RESERVES THE RIGHT TO FIELD INSPECT MATERIALS PRIOR TO REPLACEMENT OR RECONDITIONING OF MATERIALS AND WILL NOT BE LIABLE FOR CHARGES FROM WORK DONE IN THE FIELD WITHOUT PRIOR AUTHORIZATION FROM THIS COMPANY.

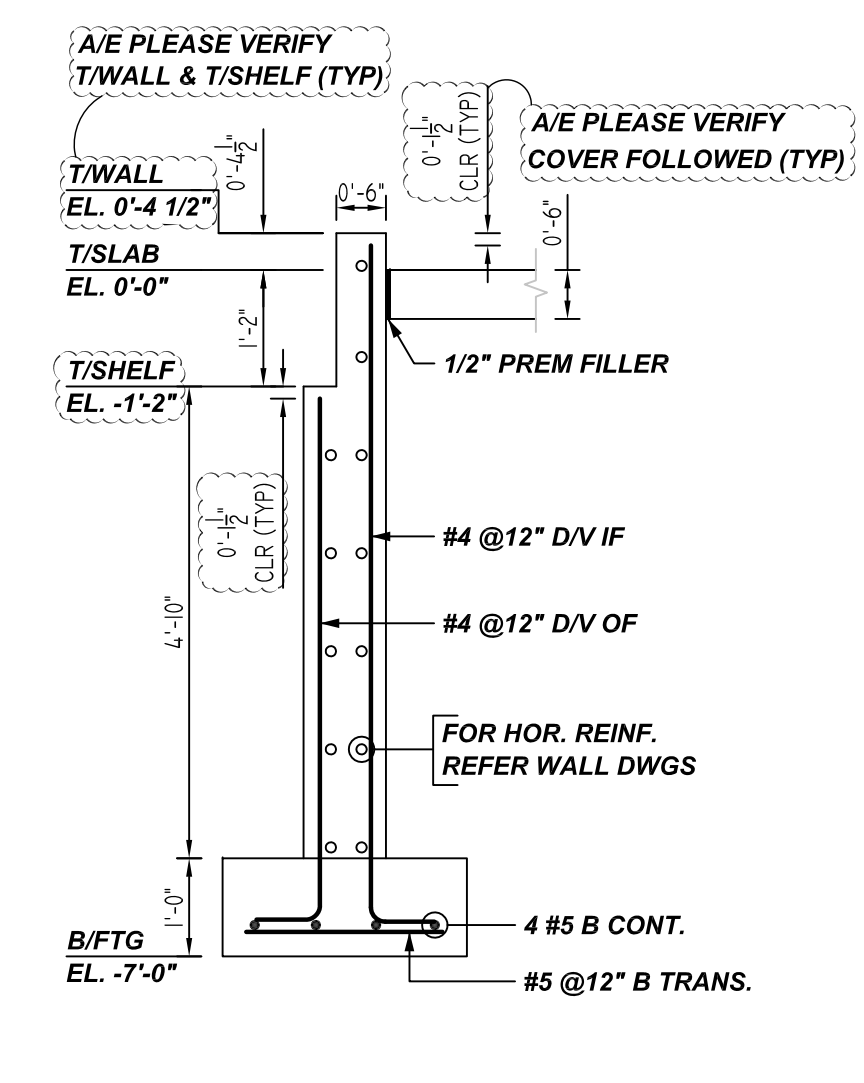
REINFORCING STEEL PLACING DRAWING ONLY. USE IN CONJUNCTION WITH CONTRACT DRAWINGS & SPECIFICATIONS. ELEVATIONS & DIMENSIONS SHOWN ON DRAWING ARE FOR DETAILING PURPOSES ONLY AND SHOULD NOT BE USED FOR CONSTRUCTION UNLESS VERIFIED BY ENGINEER OR CONTRACTOR.



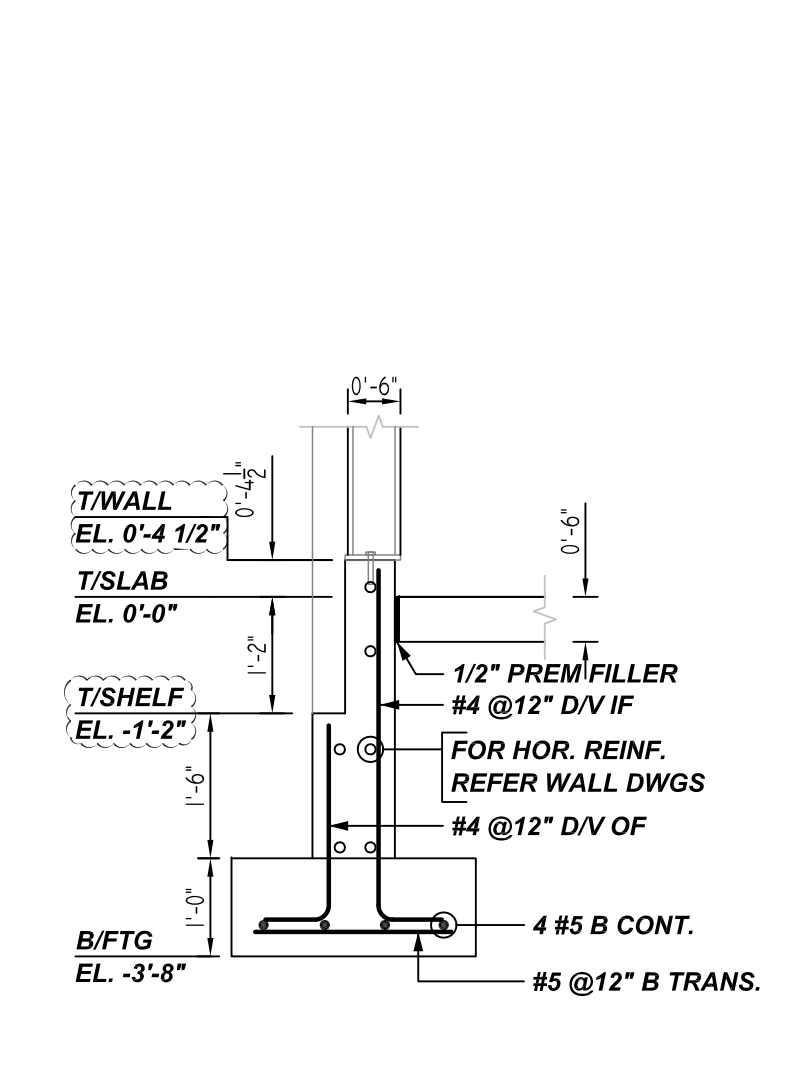
A ELEVATION
REF: S2.1.1 & 3/S5.1 (DT.07/29/22)
SCALE: 1/4" = 1'-0"



A ELEVATION
REF: S2.1.1 & 3/S5.1 (DT.07/29/22)
SCALE: 1/4" = 1'-0"



1 SECTION
R10 REF: 1/S3.1 (DT.07/29/22)
SCALE: 1/2" = 1'-0"



2 SECTION
R10 REF: 6/S3.1 (DT.07/29/22)
SCALE: 1/2" = 1'-0"

Bar Mark	Qty	Size	Total Length	Type	X	Y	U	V	W	Other
4F01	3	#4	8'-11"	2	0'-8"	8'-10"				
4F02	3	#4	7'-8"	2	0'-8"	6'-10"				
4F04	4	#4	5'-11"	2	0'-8"	4'-8"				
4F05	4	#4	3'-5"	2	0'-8"	2'-10"				
4F06	4	#4	5'-7"	2	0'-8"	4'-11"				
4F07	4	#4	4'-0"	2	0'-8"	3'-4"				
4F08	163	#4	2'-8"	2	0'-8"	2'-0"				
4F11	163	#4	4'-3"	2	0'-8"	6'-3"				
4F12	10	#4	6'-0"	2	0'-8"	5'-4"				
4F20	10	#4	7'-7"	2	0'-8"	6'-11"				
4F23	8	#4	8'-5"	2	0'-8"	7'-7"				
4F24	8	#4	6'-5"	2	0'-8"	5'-7"				
4F25	4	#4	7'-1"	2	0'-8"	6'-5"				
4F26	4	#4	5'-5"	2	0'-8"	4'-10"				
4F27	4	#4	9'-5"	2	0'-8"	8'-7"				
4F28	4	#4	7'-8"	2	0'-8"	7'-0"				
4F29	8	#4	6'-8"	2	0'-8"	6'-0"				
4F30	8	#4	4'-8"	2	0'-8"	4'-0"				
4F33	8	#4	10'-4 1/2"	2	0'-8"	9'-8 1/2"				
4F34	8	#4	8'-10"	2	0'-8"	8'-2"				
5F08	20	#5	6'-9 1/2"	17	2'-4"	4'-5"				
5F10	4	#5	6'-11"	17	1'-8"	4'-5"				
5F11	4	#5	8'-7"	17	2'-4"	6'-3"				
5F12	4	#5	5'-7"	17	1'-2"	4'-5"				
5F13	8	#5	4'-4"	17	1'-4"	3'-0"				
5F14	4	#5	12'-11"	17	2'-4"	9'-9"				
5F15	4	#5	5'-0"	17	2'-8"	2'-8"				

TYPICAL REINFORCING BAR CLEARANCE TABLE	
LOCATION	MIN. COVER
FOOTING SIDE & BOTTOM	3" CLR
FOOTING TOP	2" CLR
WALL TOP	1.5" CLR

A/E PLEASE VERIFY FTG & WALL TOP COVER

REBAR GRADE 60 ASTM A-615

SPLICES USED		ABBREVIATIONS		BAR MARK SIZE EQUIVALENT	
CLASS B 4,500 psi UNO					
TOP BARS	OTHER BARS	ADD. = Additional	B.O.W. = Bottom of wall	Imperial	Soft Metric
#3 24"	#3 19"	C.B. = Corner Bars	DIAG. = Diagonal	#3	#10
#4 32"	#4 24"	D.O. = Door Opening	DWLS. = Dowels	#4	#13
#5 39"	#5 30"	E.F. = Each Face	E.S. = Each Side	#5	#16
#6 46"	#6 36"	E.W. = Each Way	F.G. = Footing	#6	#19
#7 67"	#7 52"	F.F. = Far Face	HORIZ. = Horizontal	#7	#22
#8 77"	#8 59"	I.F. = Inside Face	INTERS. = Intersection	#8	#25
#9 86"	#9 67"	L.W. = long Way	N.F. = Near Face	#9	#29
#10 95"	#10 73"	O.F. = Outside Face	S.W. = Short Way	#10	#32
#11 104"	#11 81"	T&B = Top & Bottom	T.O.W. = Top of Wall	#11	#36
#14	#14	Trans. = Transverse	VERT. = Vertical		

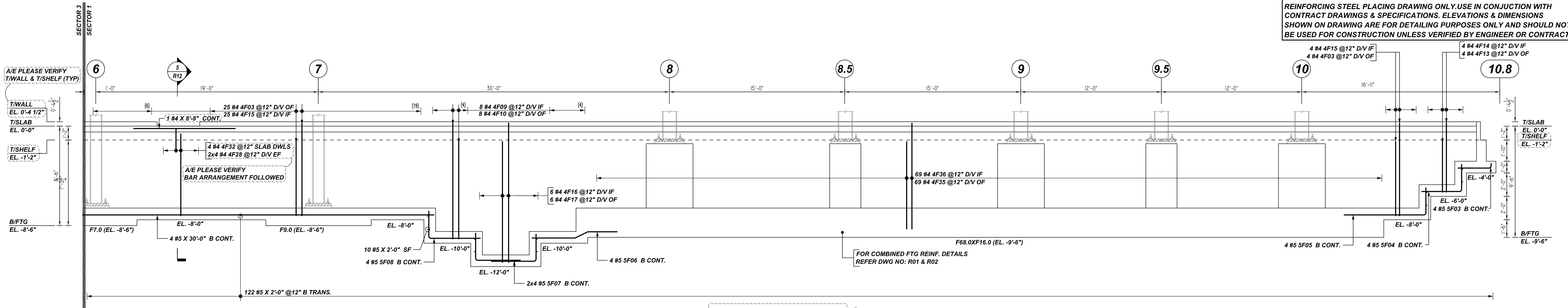
STA PHARMACEUTICAL MIDDLETOWN EXPANSION DP-1
DP-1 BUILDING SECTOR 1 CONTINUOUS FOOTING & WALL DOWEL REINFORCEMENT DETAILS
MIDDLETOWN, DE 19709

CUSTOMER: -		DESIGNER: -	
DRAWN BY	DATE	JOB NO	SHEET NO.
JSN/MET	08.11.22	-	R10

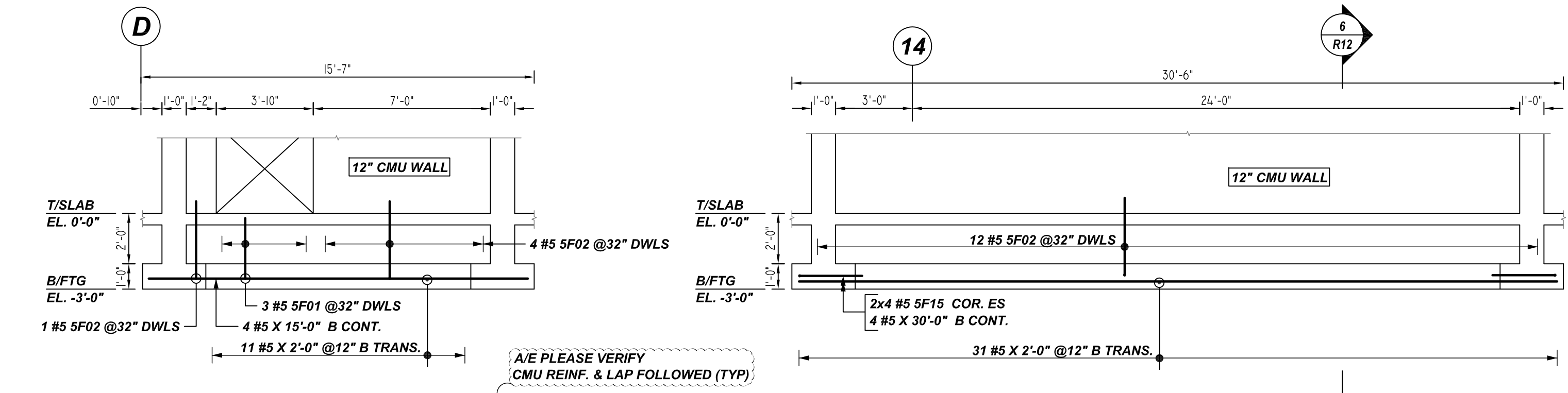
REV NO	DATE	APPROVAL	REV NO	DATE	SENT FOR
0	08.11.22	APPROVAL			

NOTICE
 SHORTAGES, IMPROPER FABRICATION OR CLAIMS FOR ANY OTHER REASON MUST BE REPORTED TO THIS COMPANY WITHIN 10 DAYS FROM ORIGINAL DELIVERY. THIS COMPANY ALSO RESERVES THE RIGHT TO FIELD INSPECT MATERIALS PRIOR TO REPLACEMENT OR RECONDITIONING OF MATERIALS AND WILL NOT BE LIABLE FOR CHARGES FROM WORK DONE IN THE FIELD WITHOUT PRIOR AUTHORIZATION FROM THIS COMPANY.

REINFORCING STEEL PLACING DRAWING ONLY. USE IN CONJUNCTION WITH CONTRACT DRAWINGS & SPECIFICATIONS. ELEVATIONS & DIMENSIONS SHOWN ON DRAWING ARE FOR DETAILING PURPOSES ONLY AND SHOULD NOT BE USED FOR CONSTRUCTION UNLESS VERIFIED BY ENGINEER OR CONTRACTOR.

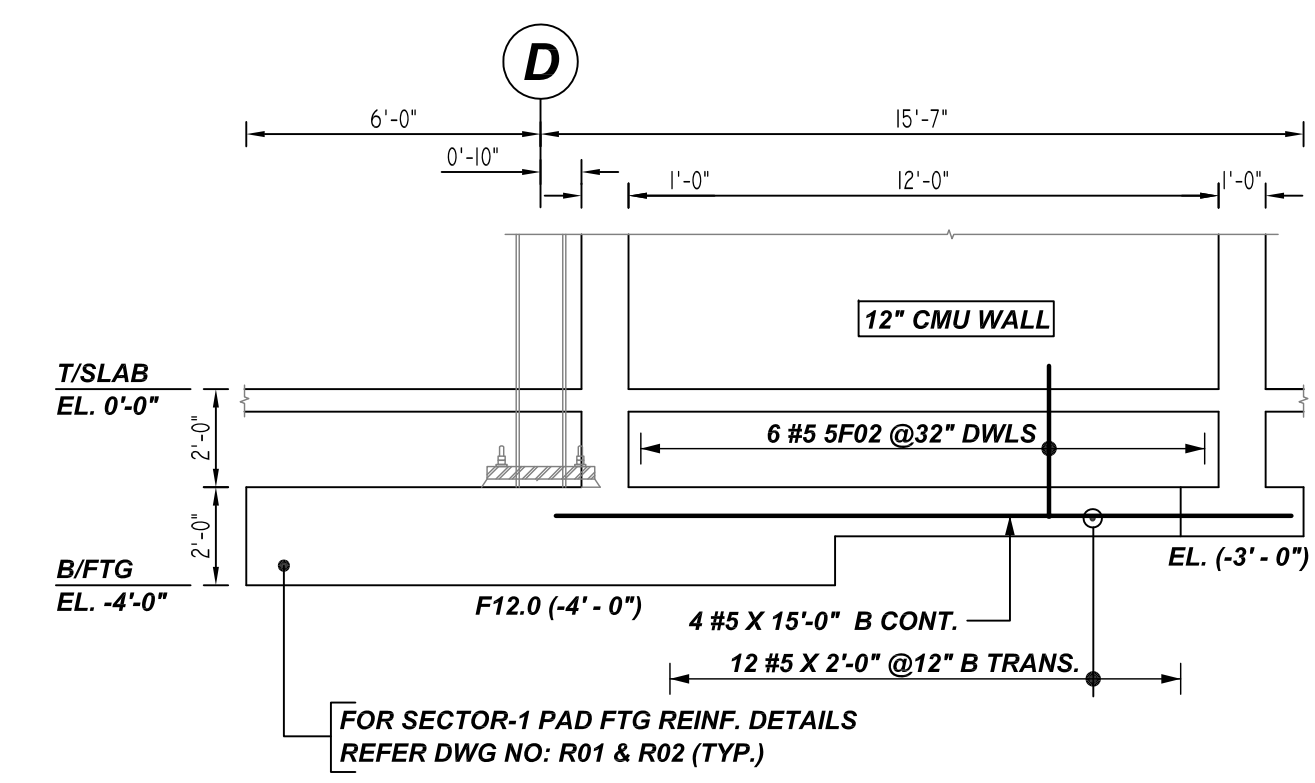


F ELEVATION
 REF: S2.1.1 & 3/S5.1 (DT.07/29/22)
 SCALE: 1/4" = 1'-0"

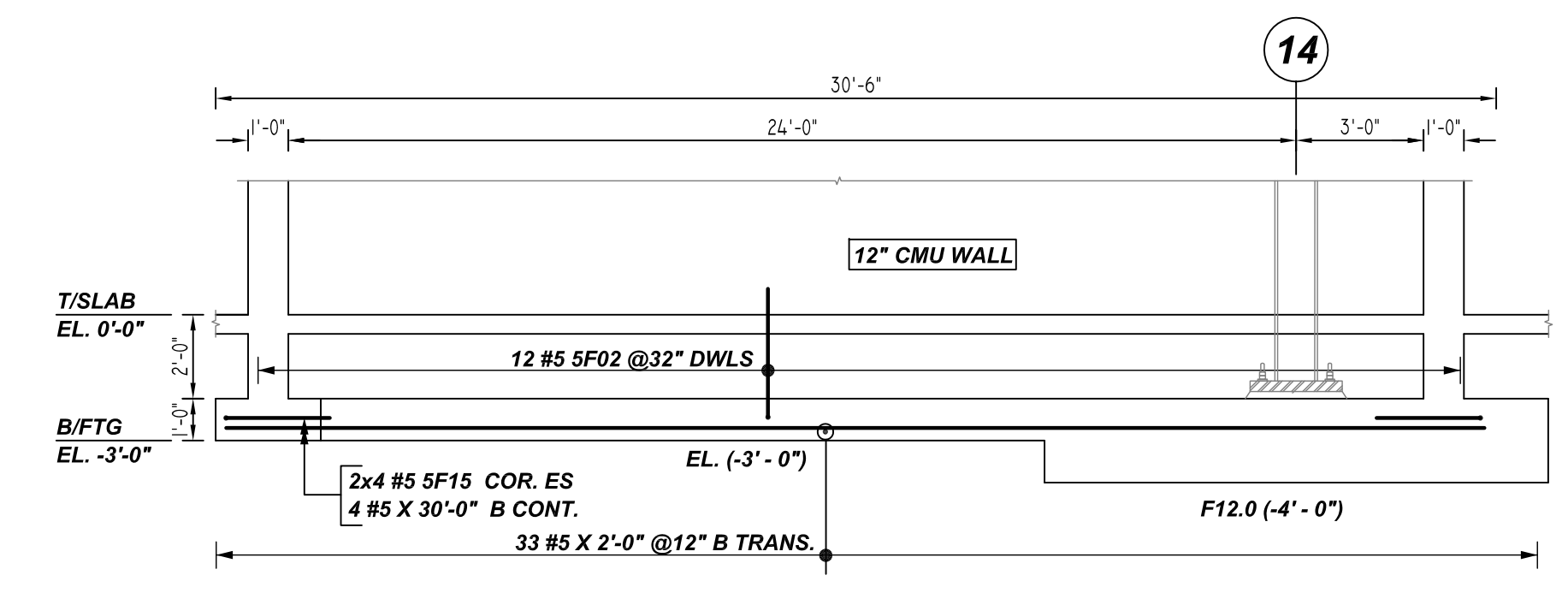


G ELEVATION
 REF: S2.1.1 & 3/S5.1 (DT.07/29/22)
 SCALE: 1/4" = 1'-0"

H ELEVATION
 REF: S2.1.1 & 3/S5.1 (DT.07/29/22)
 SCALE: 1/4" = 1'-0"

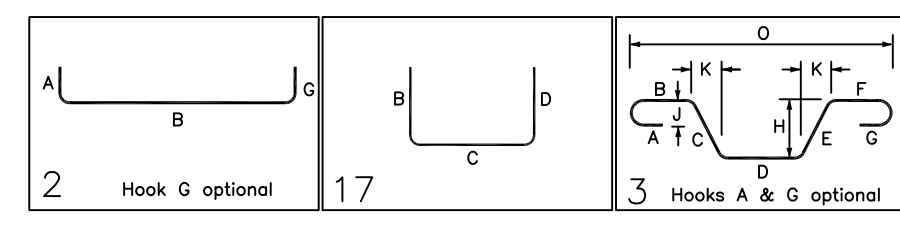


J ELEVATION
 REF: S2.1.1 & 3/S5.1 (DT.07/29/22)
 SCALE: 1/4" = 1'-0"



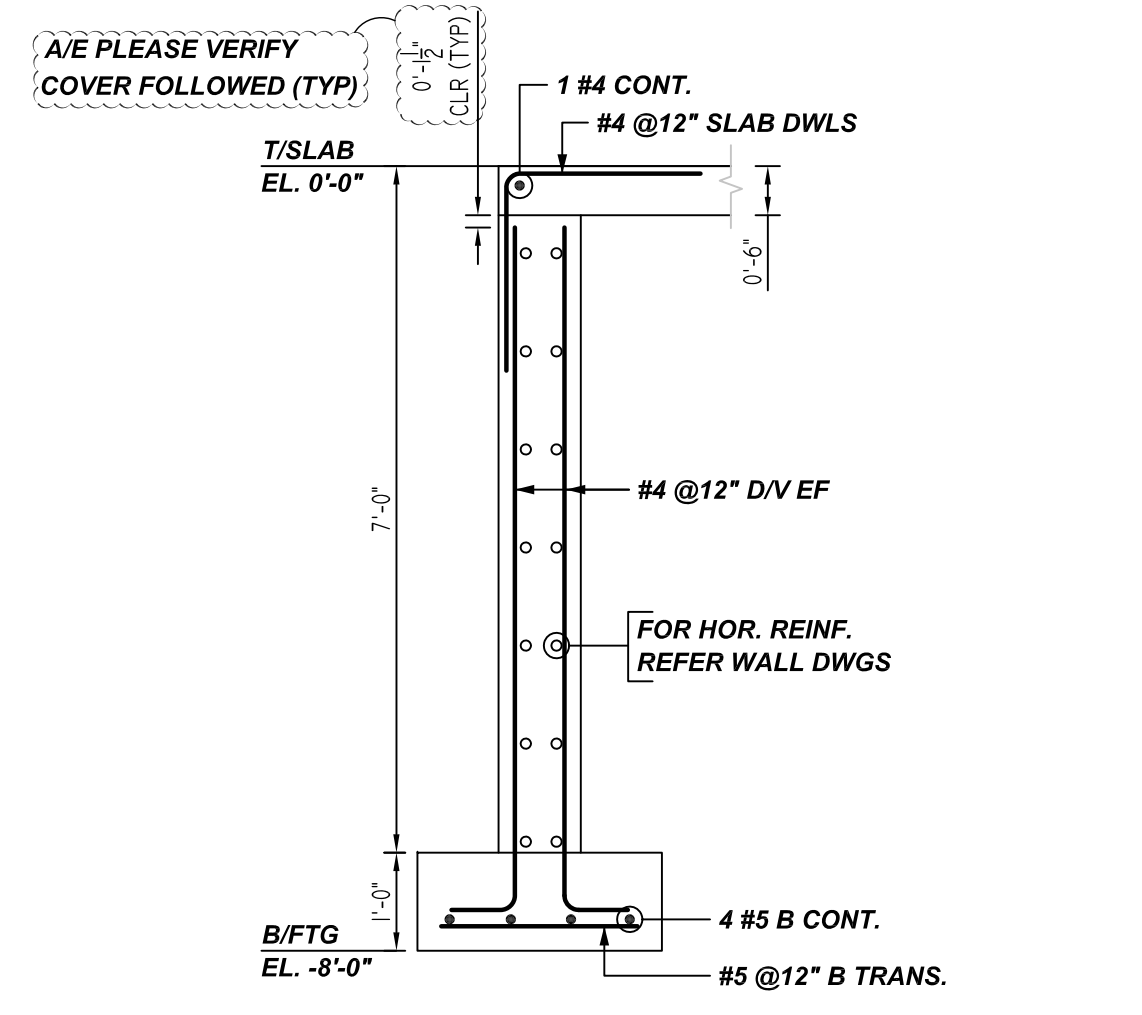
K ELEVATION
 REF: S2.1.1 & 3/S5.1 (DT.07/29/22)
 SCALE: 1/4" = 1'-0"

Bar Mark	Qty	Size	Total Length	Type	X	Y	Z	W	V	U	T	S	R	Q	P	O	N	M	L	K	J	I	H	G	F	E	D	C	B	A
4F03	28	#4	7'-0"	2	0'-8"	6'-4"																								
4F09	8	#4	10'-0"	2	0'-8"	9'-11"																								
4F10	8	#4	9'-0"	2	0'-8"	8'-4"																								
4F13	4	#4	5'-0"	2	0'-8"	4'-4"																								
4F14	4	#4	6'-0"	2	0'-8"	5'-11"																								
4F15	28	#4	8'-0"	2	0'-8"	7'-11"																								
4F16	6	#4	12'-0"	2	0'-8"	11'-11"																								
4F17	6	#4	11'-0"	2	0'-8"	10'-4"																								
4F28	8	#4	7'-0"	2	0'-8"	7'-0"																								
4F32	4	#4	4'-0"	17		2'-0"	2'-0"																							
4F35	68	#4	8'-1 1/2"	2	0'-8"	7'-5 1/2"																								
4F36	68	#4	9'-8 1/2"	2	0'-8"	9'-0 1/2"																								
5F01	3	#5	3'-3"	2	0'-10"	2'-5"																								
5F02	35	#5	3'-1 1/2"	2	0'-10"	3'-1"																								
5F03	4	#5	3'-3"	17		0'-5"	2'-10"																							
5F04	4	#5	5'-9"	17		2'-4"	3'-5"																							
5F05	4	#5	9'-4"	17		2'-4"	7'-0"																							
5F06	4	#5	7'-4 1/2"	3		2'-4"	1'-2 1/2"	3'-8"																						
5F07	8	#5	6'-2"	17		2'-4"	3'-10"																							
5F08	4	#5	6'-9"	17		2'-4"	4'-5"																							
5F15	16	#5	5'-0"	17		2'-4"	7'-4"																							

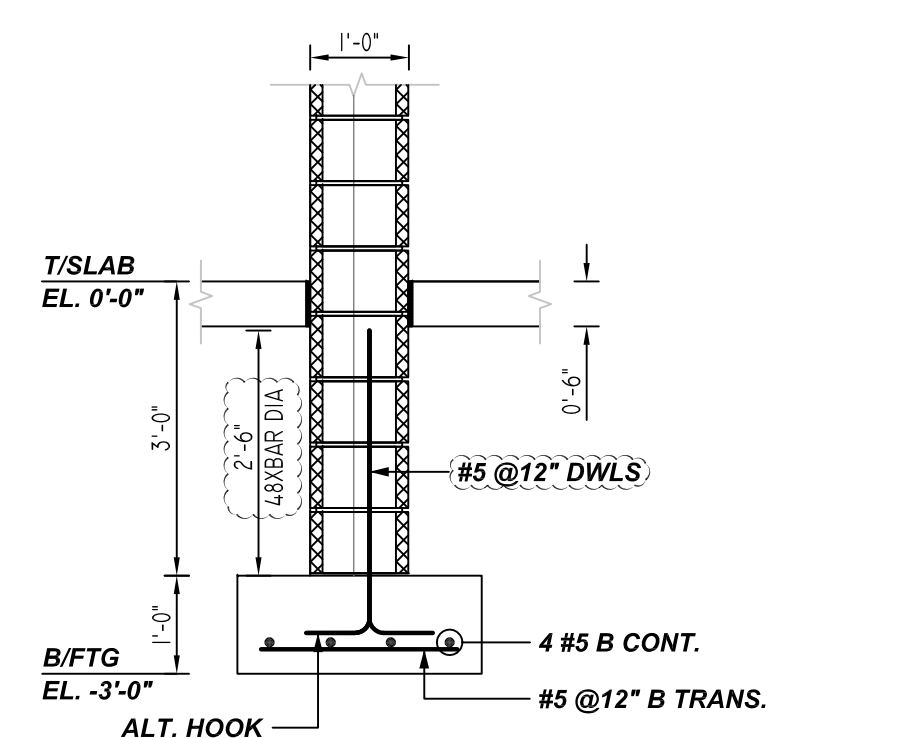


LOCATION	MIN. COVER
FOOTING SIDE & BOTTOM	3" CLR
FOOTING TOP	2" CLR
WALL TOP	1.5" CLR

A/E PLEASE VERIFY FTG & WALL TOP COVER



5 SECTION
 R12 REF: 4/S3.1 (DT.07/29/22)
 SCALE: 1/2" = 1'-0"



6 SECTION
 R12 REF: 12/S3.1 (DT.07/29/22)
 SCALE: 1/2" = 1'-0"

CLASS B 4,500 psi UNO		OTHER BARS	
TOP BARS			
#3	24"	#3	19"
#4	32"	#4	24"
#5	39"	#5	30"
#6	46"	#6	36"
#7	67"	#7	52"
#8	77"	#8	59"
#9	86"	#9	67"
#10	95"	#10	73"
#11	104"	#11	81"
#14		#14	

REV NO	DATE	APPROVAL	REV NO	DATE	SENT FOR
0	08.11.22				

REBAR GRADE 60 ASTM A-615
SPLICES USED

ABBREVIATIONS		BAR MARK SIZE EQUIVALENT	
Imperial	Soft Metric		
#3	#10		
#4	#13		
#5	#16		
#6	#19		
#7	#22		
#8	#25		
#9	#29		
#10	#32		
#11	#36		

ADD. = Additional
 B.O.W. = Bottom of wall
 C.B. = Corner Bars
 DIAG. = Diagonal
 D.O. = Door Opening
 DWLS. = Dowels
 E.F. = Each Face
 E.S. = Each Side
 E.W. = Each Way
 FTG. = Footing
 F.F. = Far Face
 HORIZ. = Horizontal
 I.F. = Inside Face
 INTERS. = Intersection
 L.W. = long Way
 N.F. = Near Face
 O.F. = Outside Face
 S.W. = Short Way
 T&B = Top & Bottom
 T.O.W. = Top of Wall
 Trans. = Transverse
 VERT. = Vertical

STA PHARMACEUTICAL MIDDLETOWN EXPANSION DP-1
 DP-1 BUILDING SECTOR 1 CONTINUOUS FOOTING & WALL DOWEL REINFORCEMENT DETAILS
MIDDLETOWN, DE 19709

CUSTOMER: -
 DESIGNER: -

DRAWN BY	DATE	JOB NO	SHEET NO.
JSN/MET	08.11.22	-	R12