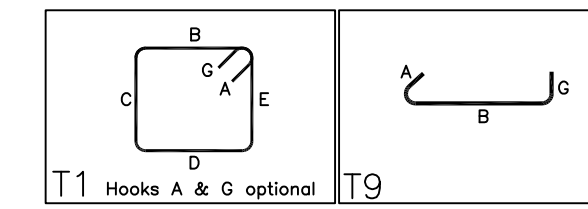


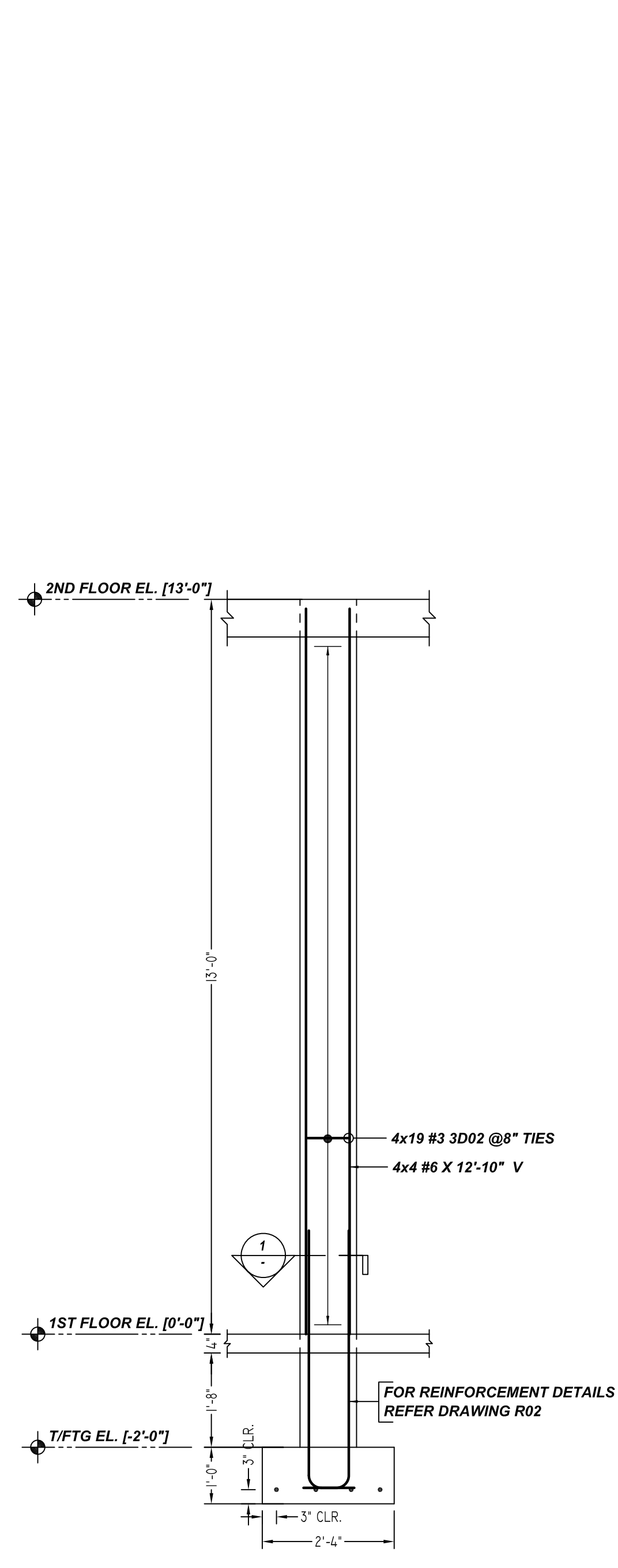
Release Number: R10		BENDING DETAILS											
Bar Mark	Qty	Size	Total Length	Type	X'	Y'	Z'	U'	V'	W'	X'	Y'	Z'
2001	70	#2	3'-8"	T1	0'-4"	0'-9"	0'-9"	0'-9"	0'-9"	0'-4"			
3002	114	#3	3'-8"	T1	0'-4"	0'-9"	0'-9"	0'-9"	0'-9"	0'-4"			
3008	46	#3	6'-0"	T1	0'-4"	2'-3"	0'-5"	0'-5"	0'-5"	0'-4"			
3009	21	#3	1'-3"	T9	0'-5"	0'-5"	0'-5"	0'-5"	0'-5"	0'-5"			



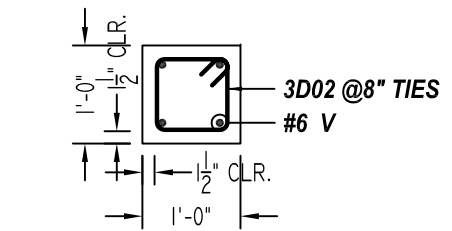
FOR COLUMN

SIZE	3000 PSI	
	TOP	OTHERS
#3	21"	16"
#4	28"	22"
#5	35"	27"
#6	46"	35"
#7	63"	48"
#8	93"	72"

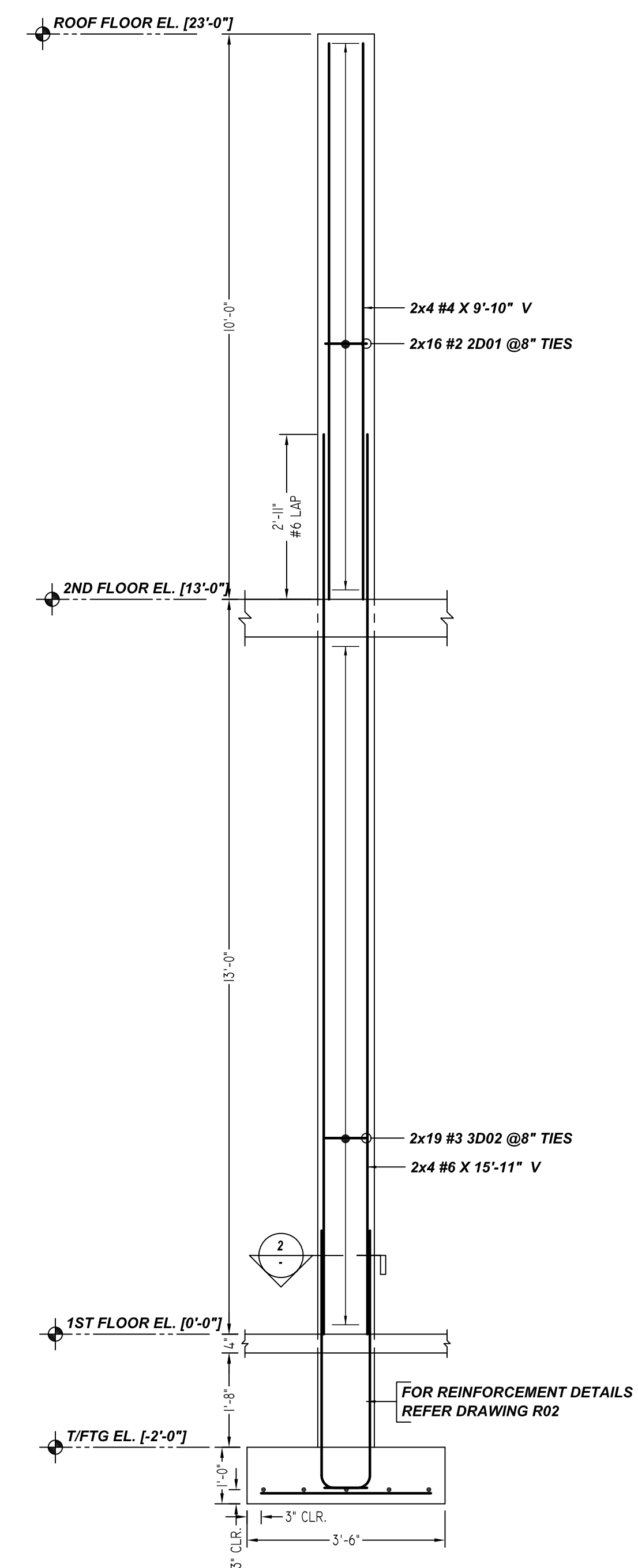
LOCATION	MIN. COVER
FOOTING BOTTOM	3" CLR
SIDE	3" CLR
TIES	1/2" CLR



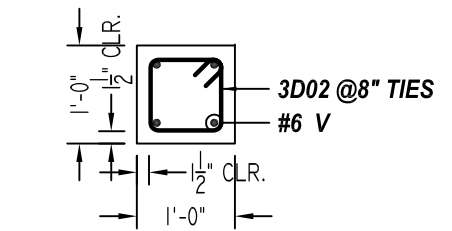
C1-COLUMN 12"x12"
SCALE - 1/2"=1'-0"
REF: S1
(@ 4 LOCATIONS)



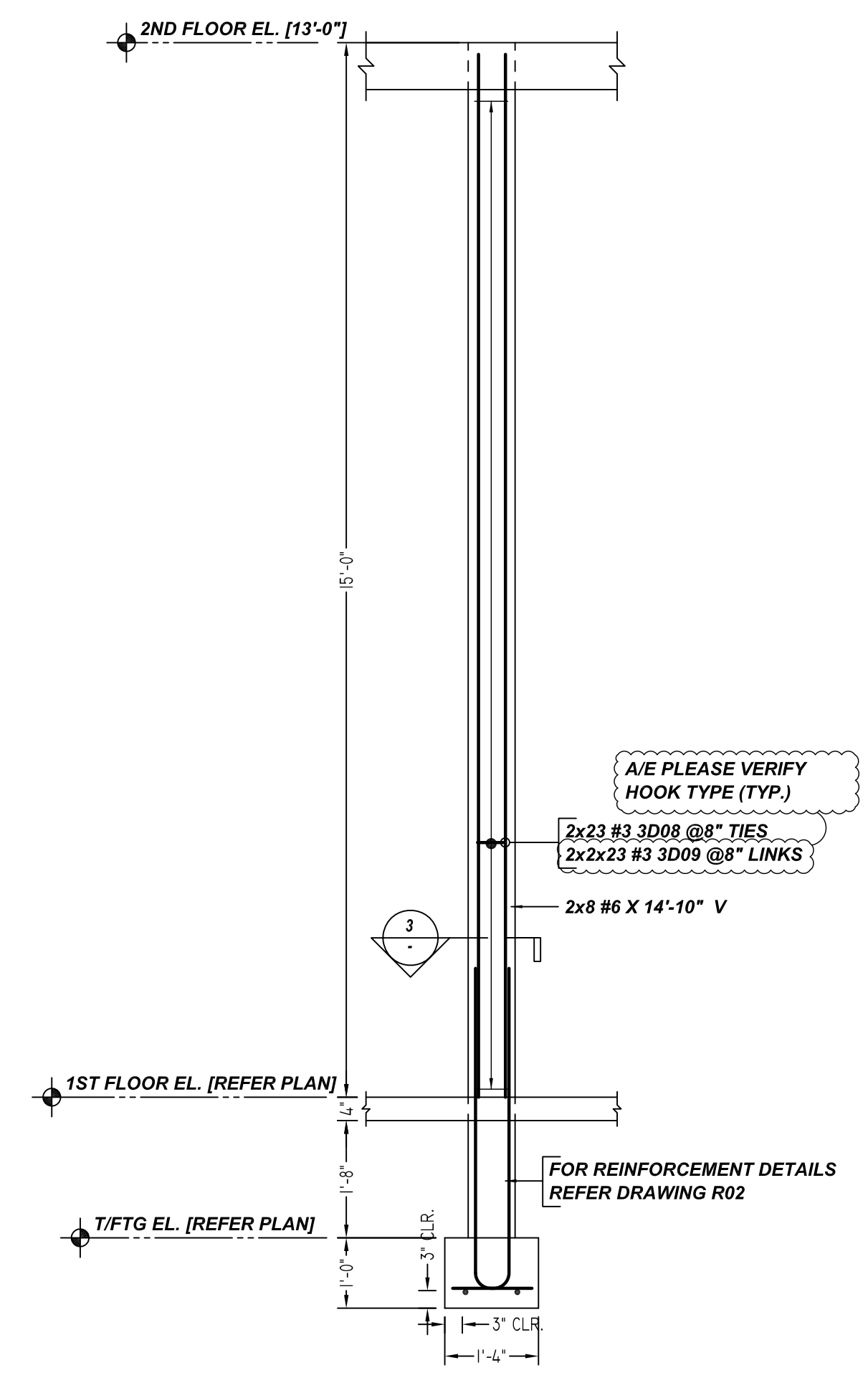
1 SECTION
SCALE - 1/2"=1'-0"
REF: S1



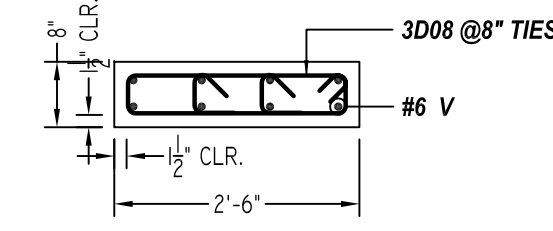
C1-COLUMN 12"x12"
SCALE - 1/2"=1'-0"
REF: S1
(@ 2 LOCATIONS)



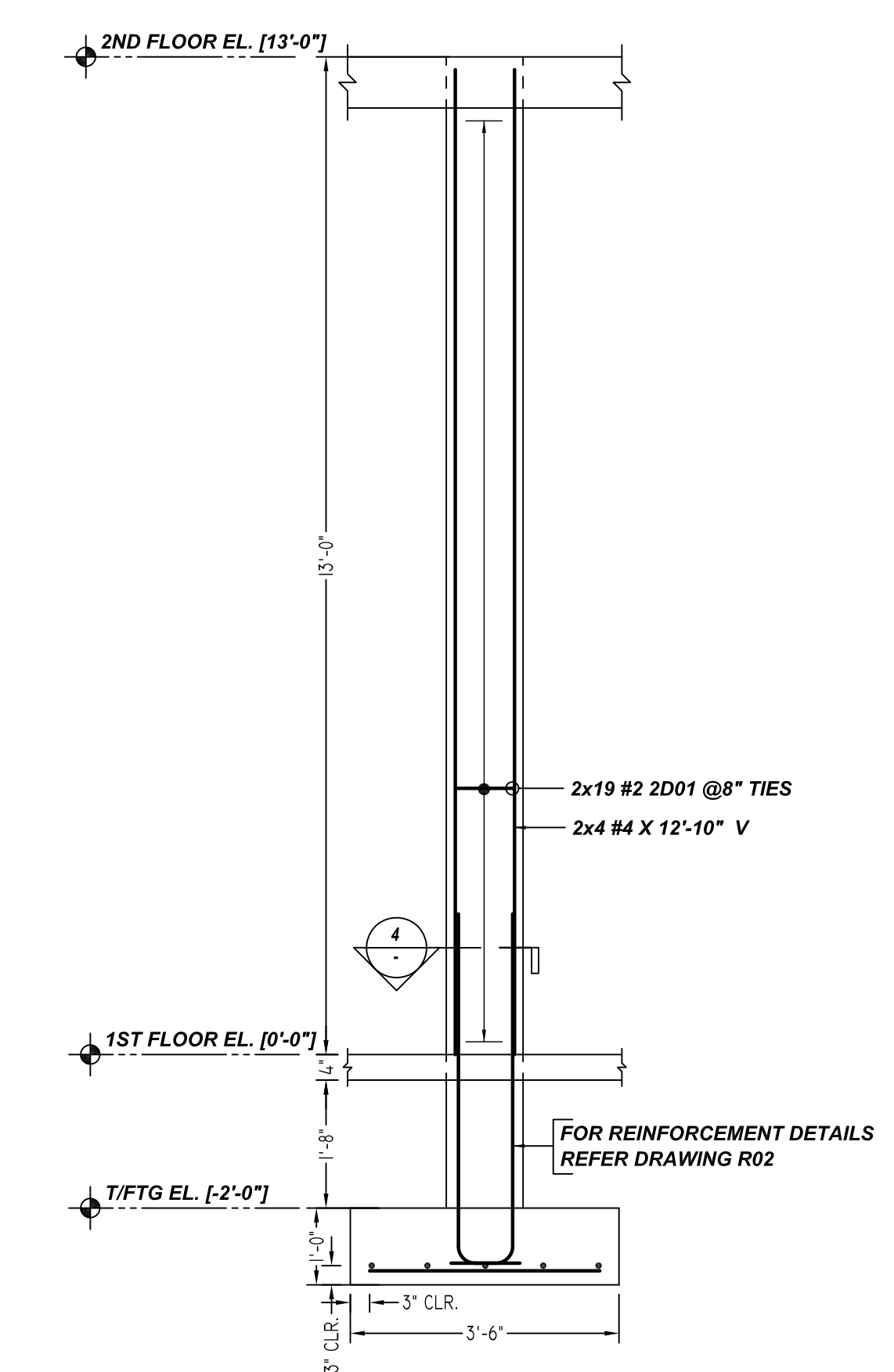
2 SECTION
SCALE - 1/2"=1'-0"
REF: S1



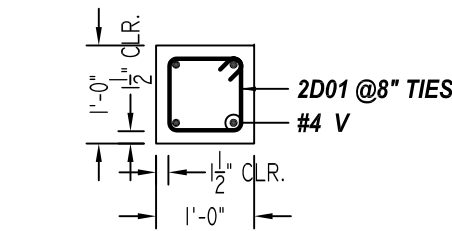
C6-COLUMN 8"x30"
SCALE - 1/2"=1'-0"
REF: S1
(@ 2 LOCATIONS)



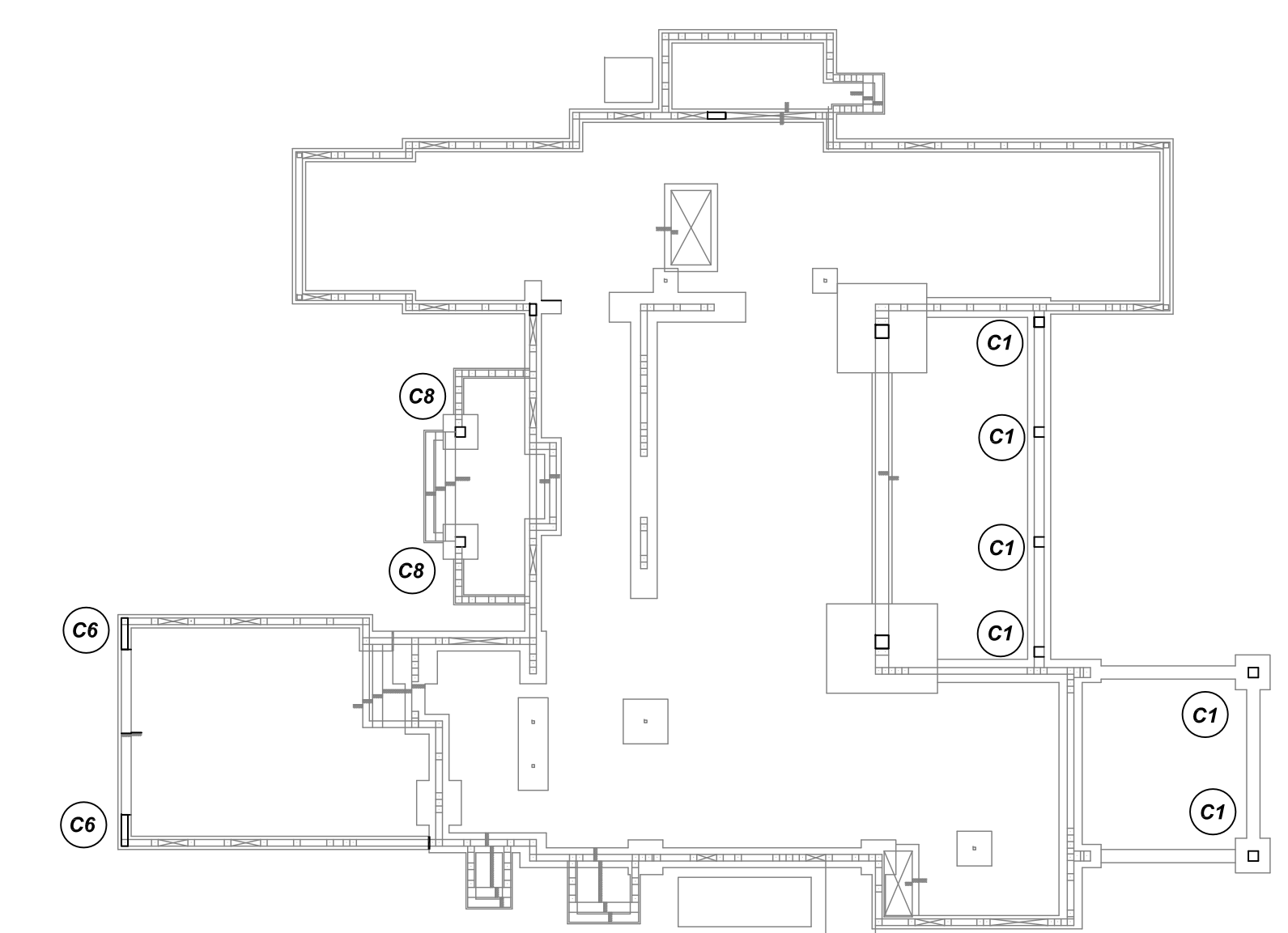
3 SECTION
SCALE - 1/2"=1'-0"
REF: S1



C8-COLUMN 12"x12"
SCALE - 1/2"=1'-0"
REF: S1
(@ 2 LOCATIONS)

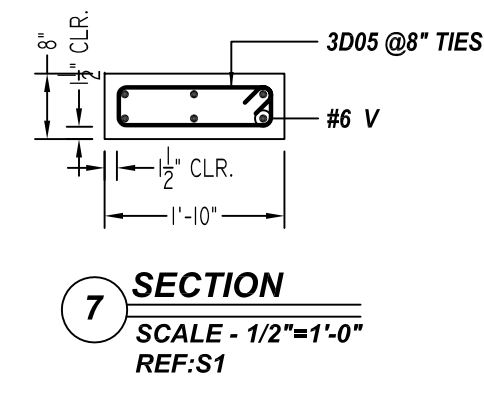
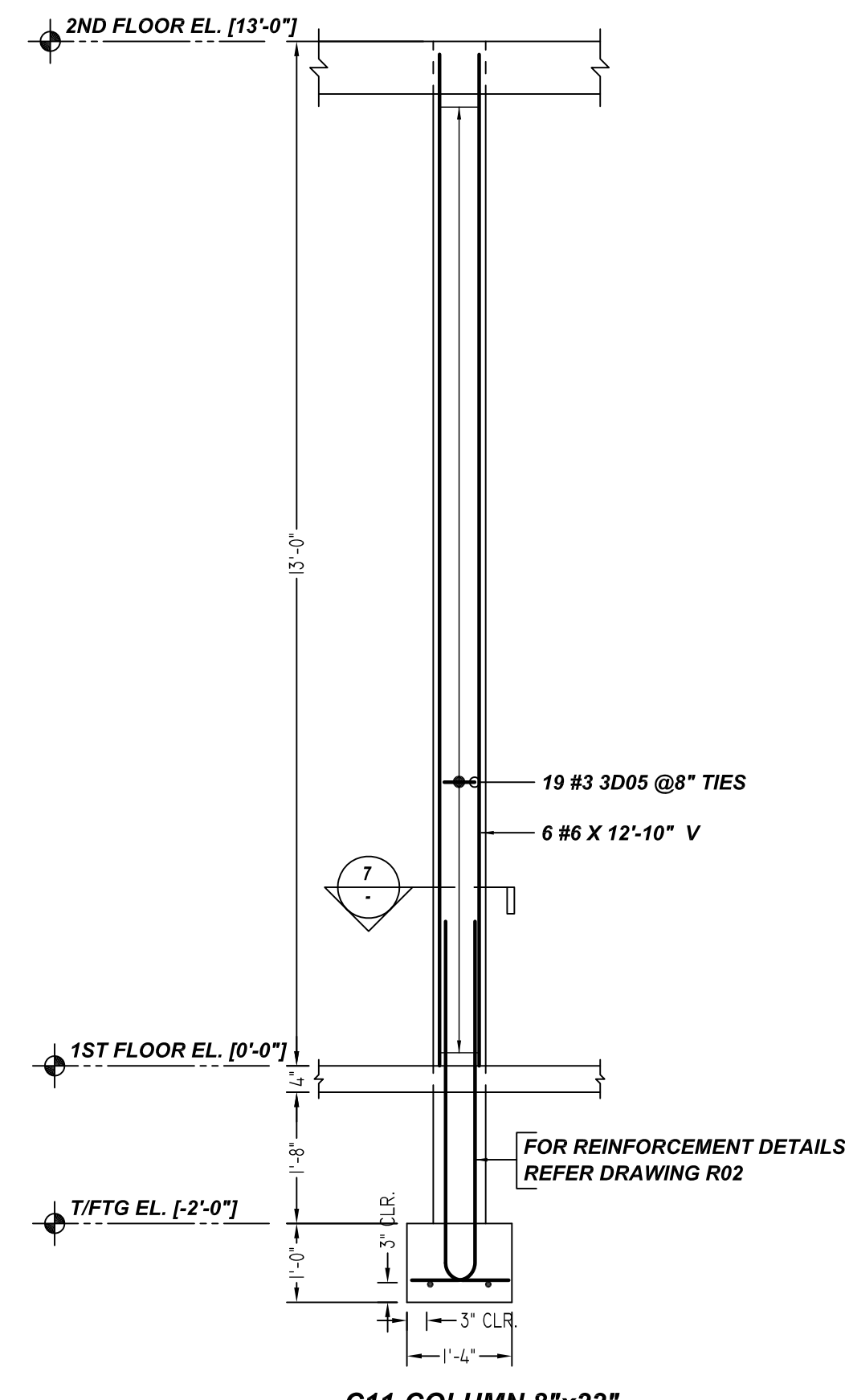
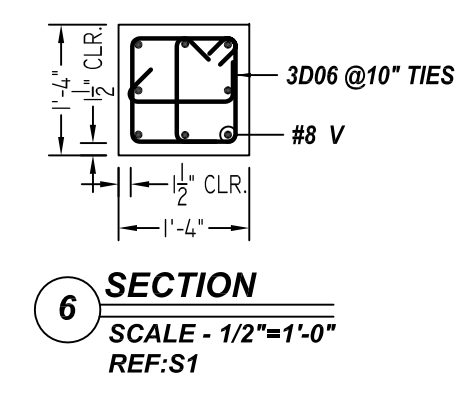
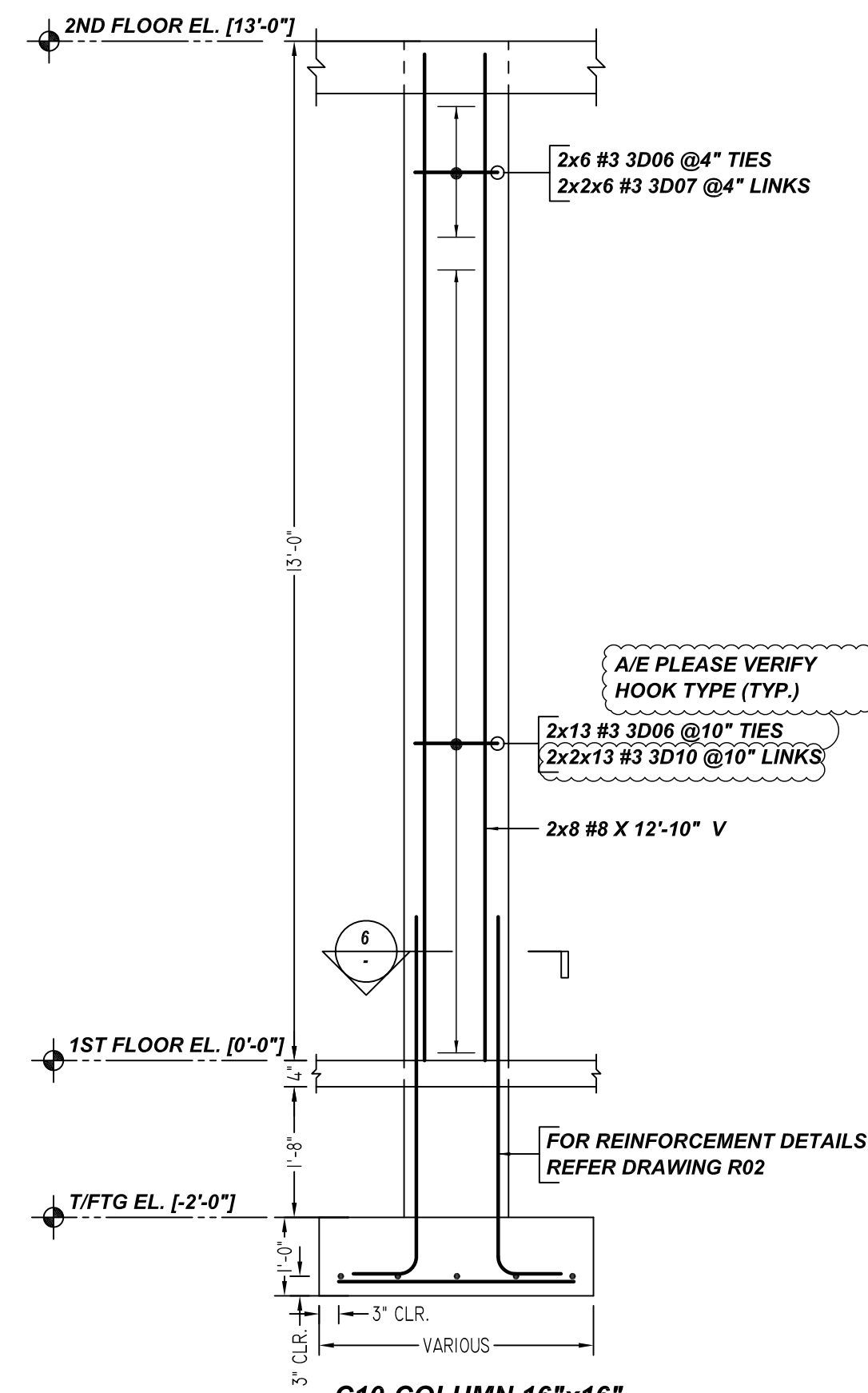
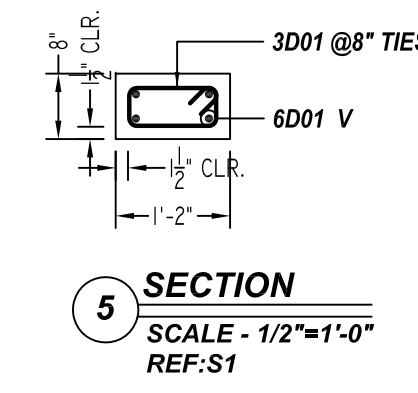
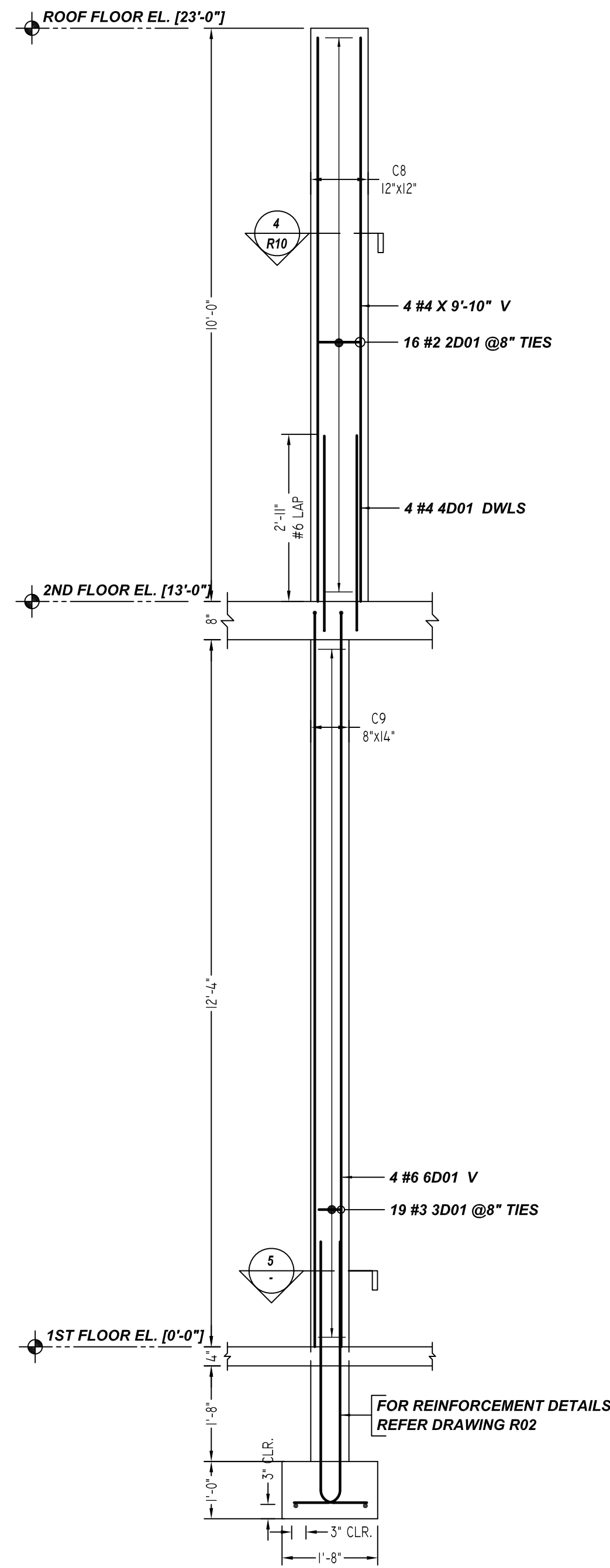


4 SECTION
SCALE - 1/2"=1'-0"
REF: S1



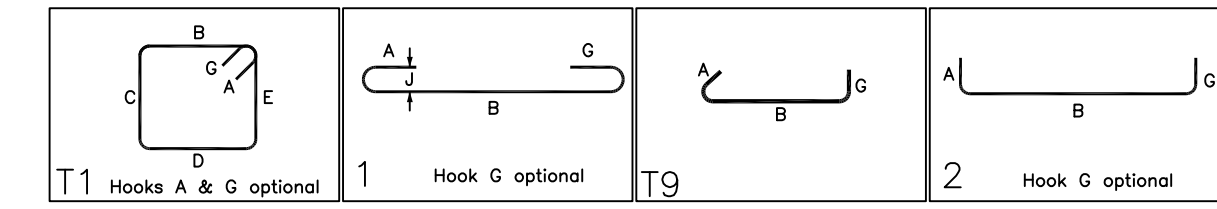
KEY PLAN
SCALE - NTS
REF: S1

GRADE	60 A615	PRINT RECORD		COLUMN REINFORCEMENT DETAILS			
PREFIX		NO.	TO	FOR	DATE		
BAR LIST NOS.							
MK	REVISION	DATE					
0	FOR APPROVAL	09/06/21					
CUSTOMER		MALLGRAVE RESIDENCE					
JOB		PALM CITY, FL 34990					
LOCATION							
DRAWN	DATE	CONTROL CODE	DWG. NO.				
MSK/MET	09/06/2021	-	R10				



Release Number: R11

Bar Mark	Qty	Size	Total Length	Type	BENDING DETAILS												
					X'	W'	Y'	Z'	X'	W'	Y'	Z'	X'	W'	Y'	Z'	
2201	16	#2	3'-8"	11	0'-4"	0'-3"	0'-3"	0'-3"	0'-3"								
3001	19	#3	3'-4"	11	0'-4"	0'-11"	0'-5"	0'-11"	0'-5"								
3005	19	#3	4'-8"	11	0'-4"	1'-7"	0'-5"	1'-7"	0'-5"								
3006	38	#3	5'-0"	11	0'-4"	1'-1"	1'-1"	1'-1"	1'-1"								
3007	24	#3	1'-11"	1	0'-5"	1'-1"								0'-3"			
3010	52	#3	1'-11"	19	0'-5"	1'-1"								0'-5"			
4001	4	#4	4'-1"	2	0'-8"	3'-5"											
6001	4	#6	13'-10"	2	1'-0"	12'-10"											

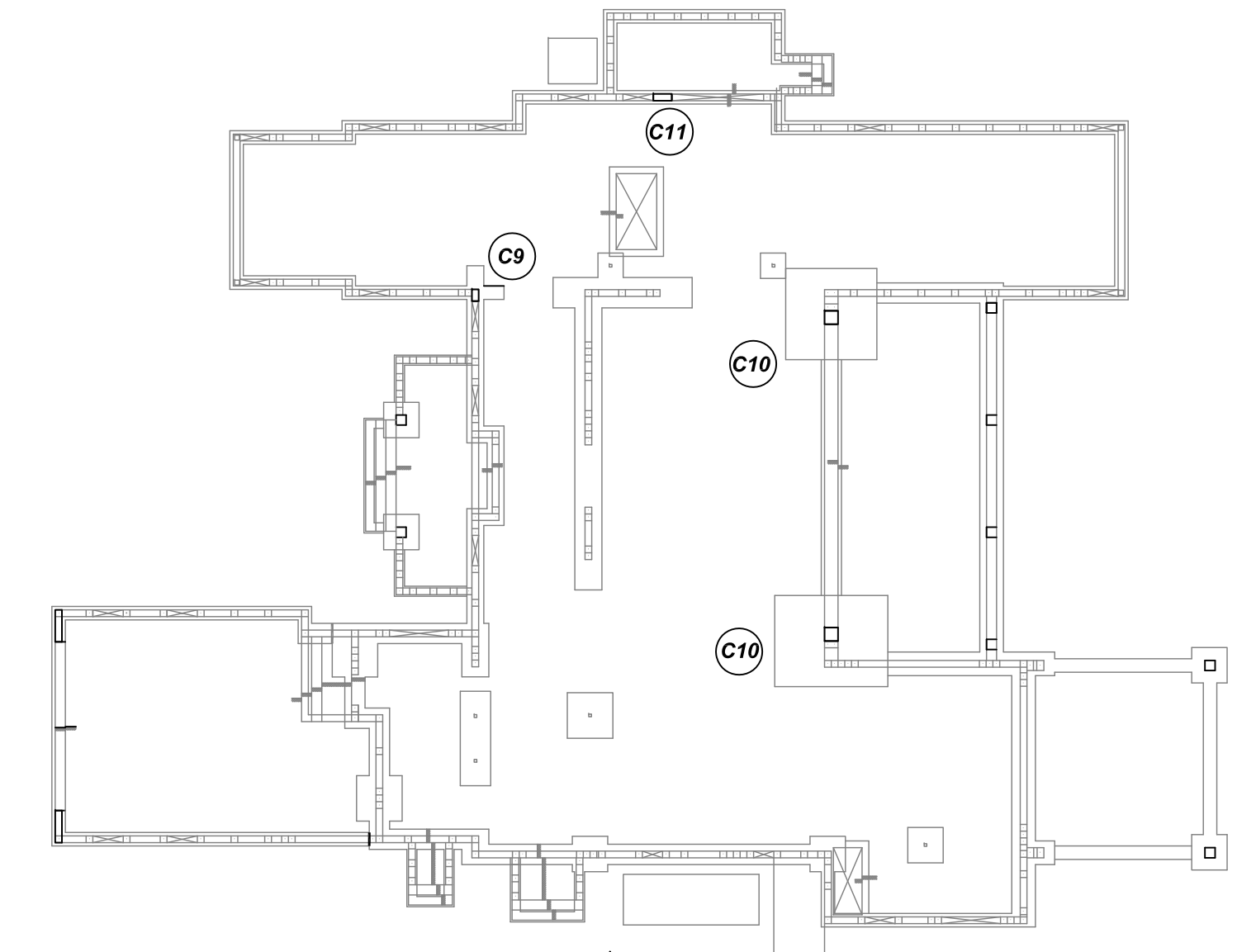


FOR COLUMN

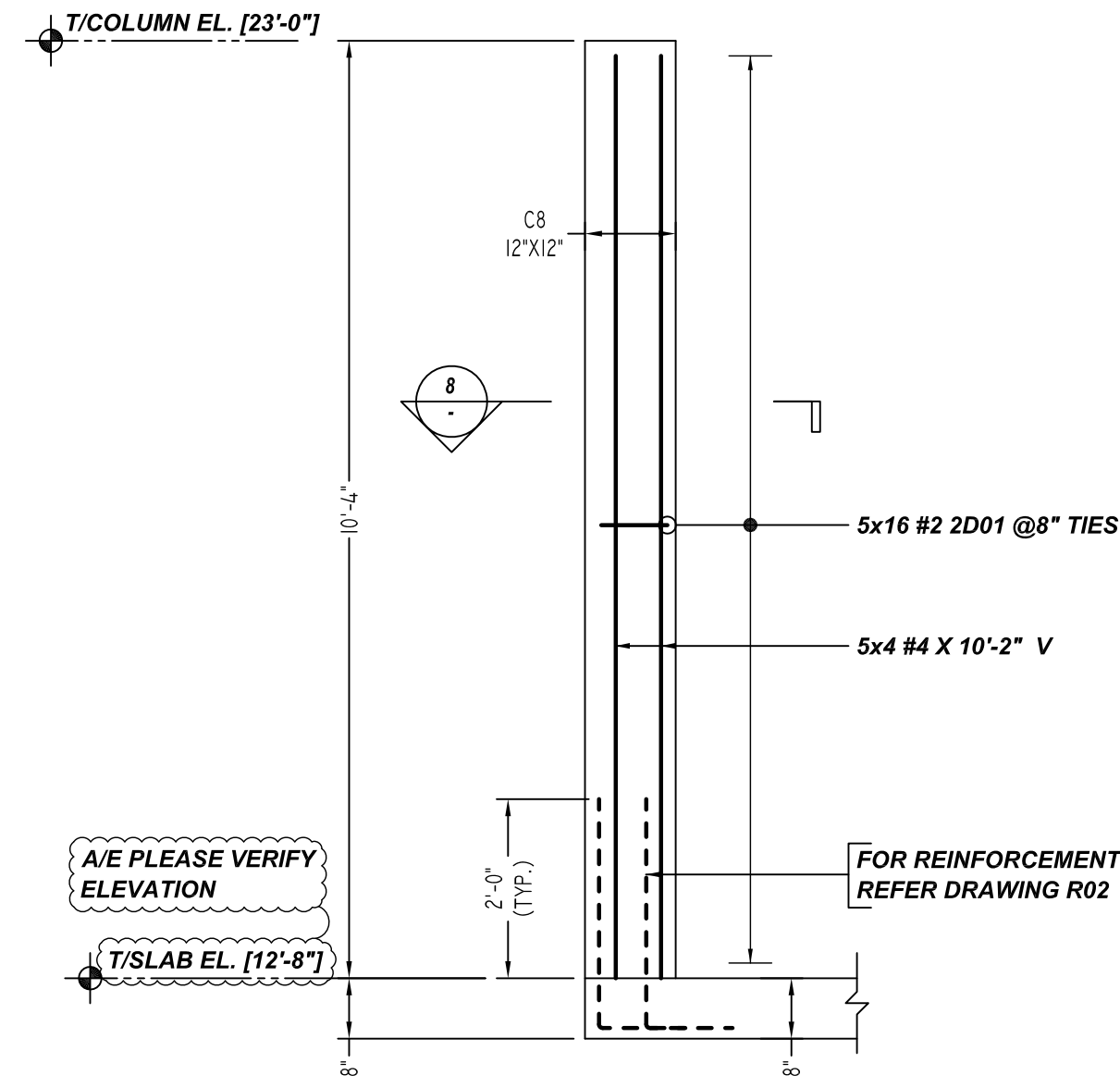
LAP SCHEDULE		
SIZE	3000 PSI	OTHERS
#3	21"	16"
#4	28"	22"
#5	35"	27"
#6	46"	35"
#7	63"	48"
#8	93"	72"

TYPICAL REINFORCING BAR CLEARANCE TABLE

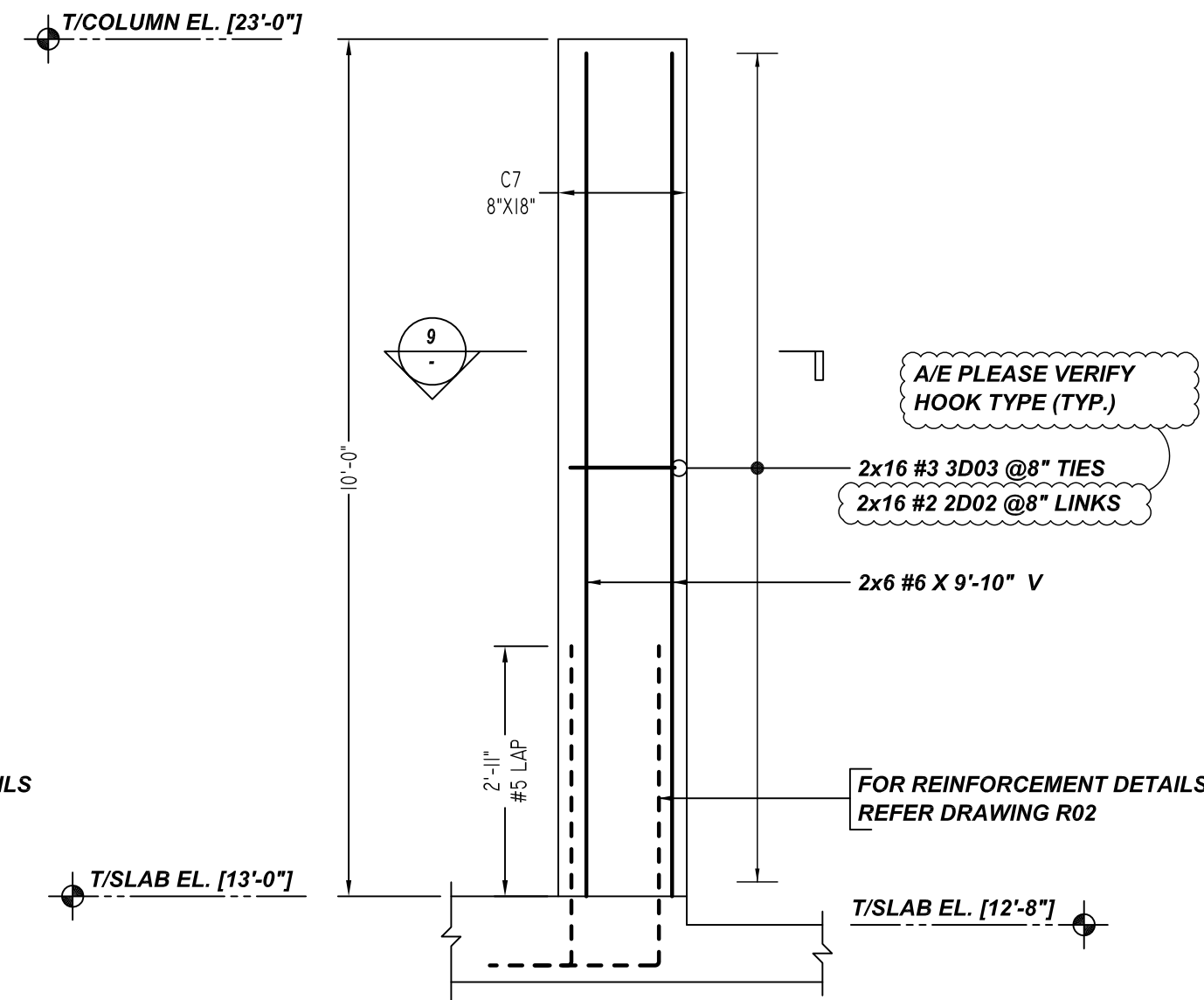
LOCATION	MIN. COVER
FOOTING BOTTOM	3" CLR
SIDE	3" CLR
TIES	1/2" CLR



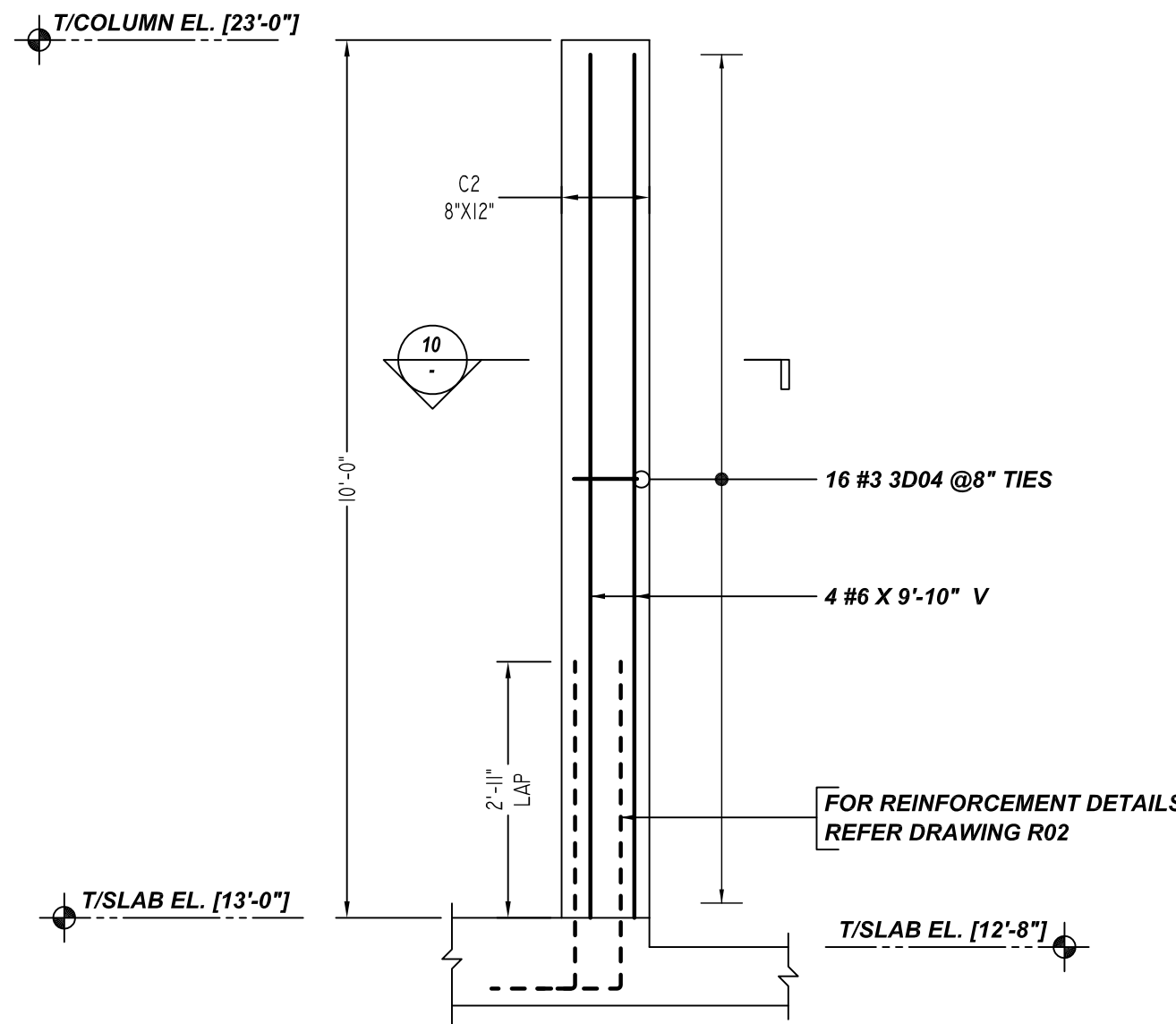
GRADE	60 A615		
PREFIX			
BAR LIST NOS.			
	PRINT RECORD		
MK	REVISION	DATE	NO. TO FOR DATE
0	FOR APPROVAL	09/06/21	
COLUMN REINFORCEMENT DETAILS			
CUSTOMER	MALLGRAVE RESIDENCE		
JOB	PALM CITY, FL 34990		
LOCATION			
DRAWN	DATE	CONTROL CODE	DWG. NO.
MSK/MET	09/06/2021	-	R11



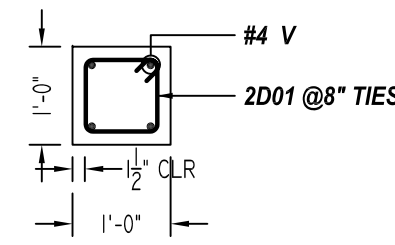
C8-COLUMN 12"x12"
SCALE - 1/2"=1'-0"
REF:S3
(@5 LOCATIONS)



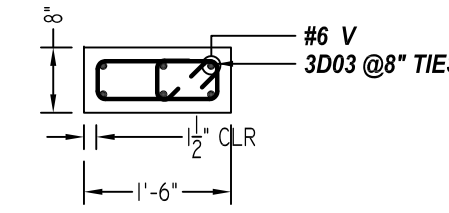
C7-COLUMN 8"x18"
SCALE - 1/2"=1'-0"
REF:S3
(@2 LOCATIONS)



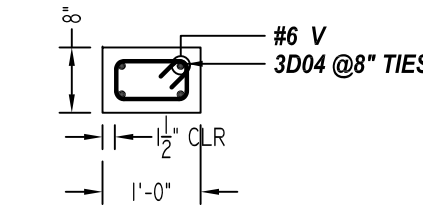
C2-COLUMN 8"x12"
SCALE - 1/2"=1'-0"
REF:S3



8 SECTION
SCALE - 1/2"=1'-0"
REF:S3



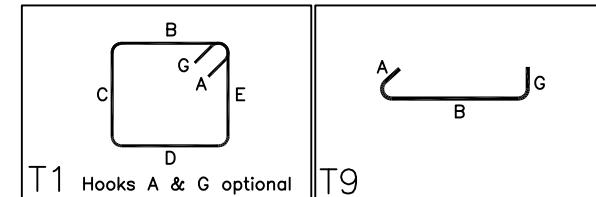
9 SECTION
SCALE - 1/2"=1'-0"
REF:S3



10 SECTION
SCALE - 1/2"=1'-0"
REF:S3

Release Number: R12

Bar Mark	Qty	Size	Total Length	Type	X	Y	Z	W	V	U	T	S	R	Q	P
2001	80	#2	3'-8"	T1	0'-4"	0'-9"	0'-9"	0'-9"	0'-9"						
2002	32	#2	1'-1"	T9	0'-4"	0'-5"									
3003	32	#3	4'-0"	T1	0'-4"	0'-5"	1'-5"	0'-5"	1'-5"						
3004	16	#3	3'-0"	T1	0'-4"	0'-5"	0'-9"	0'-5"	0'-9"						



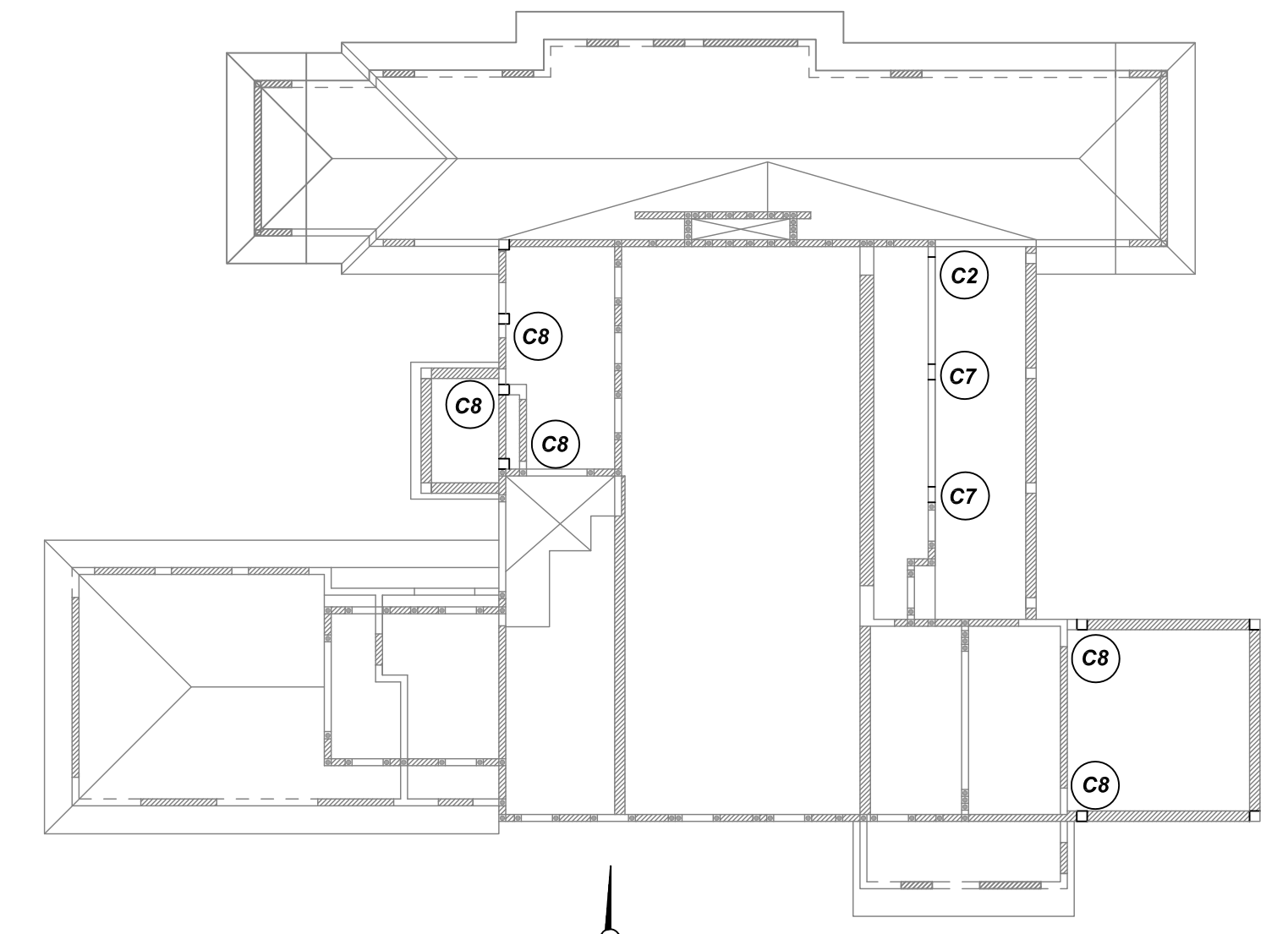
FOR COLUMN

LAP SCHEDULE

SIZE	3000 PSI	
	TOP	OTHERS
#3	21"	16"
#4	28"	22"
#5	35"	27"
#6	46"	35"
#7	63"	48"
#8	93"	72"

TYPICAL REINFORCING BAR CLEARANCE TABLE

LOCATION	MIN. COVER
FOOTING BOTTOM	3" CLR
SIDE	3" CLR
TIES	1/2" CLR



KEY PLAN
SCALE - NTS
REF: S1

GRADE	60 A615				
PREFIX					
BAR LIST NOS.		PRINT RECORD			
		NO.	TO	FOR	DATE
MK	REVISION	DATE			
0	FOR APPROVAL	09/06/21			
COLUMN REINFORCEMENT DETAILS					
CUSTOMER: MALLGRAVE RESIDENCE					
JOB: PALM CITY, FL 34990					
LOCATION: PALM CITY, FL 34990					
DRAWN	DATE	CONTROL CODE	DWG. NO.		
MSK/MET	09/06/2021	-	R12		