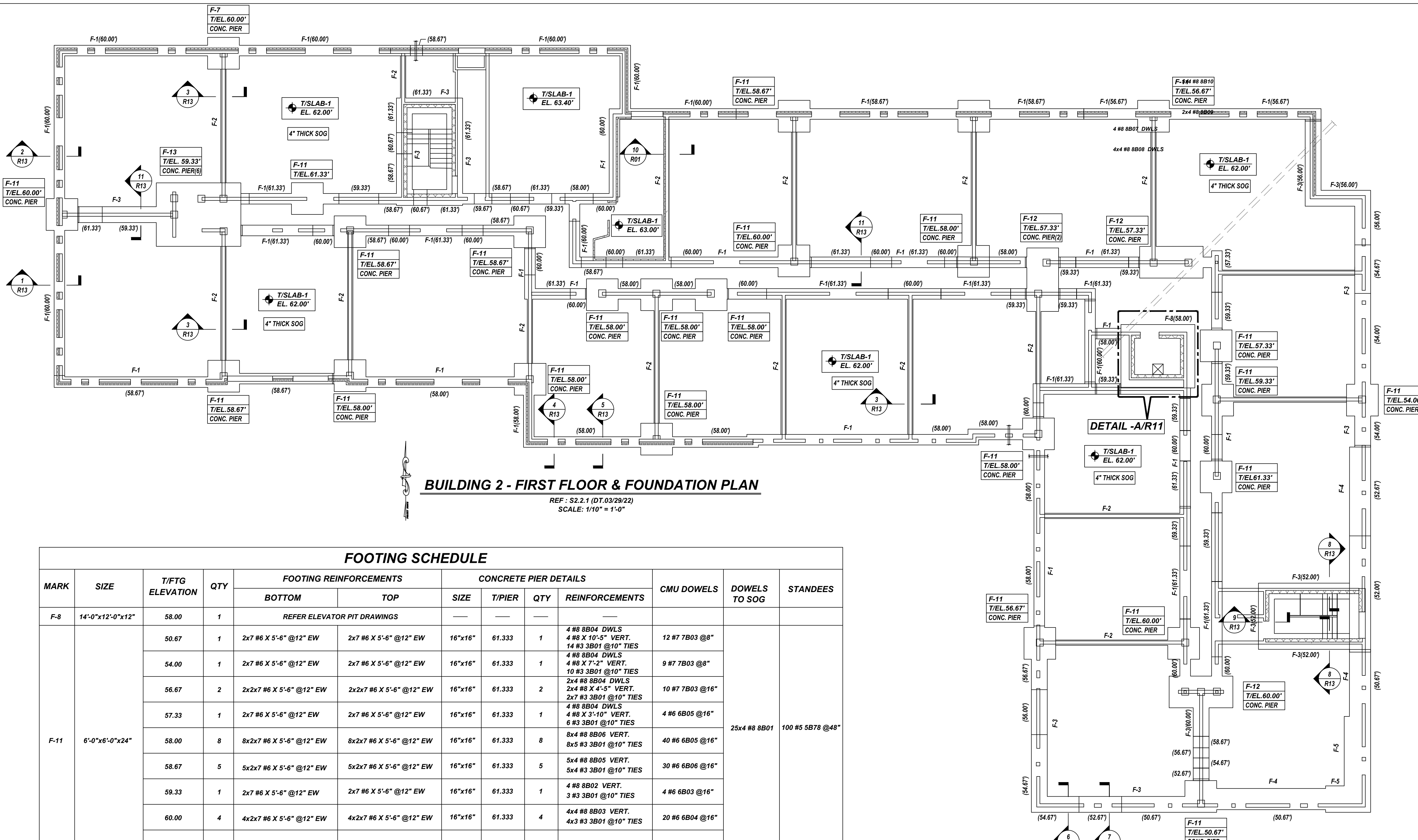
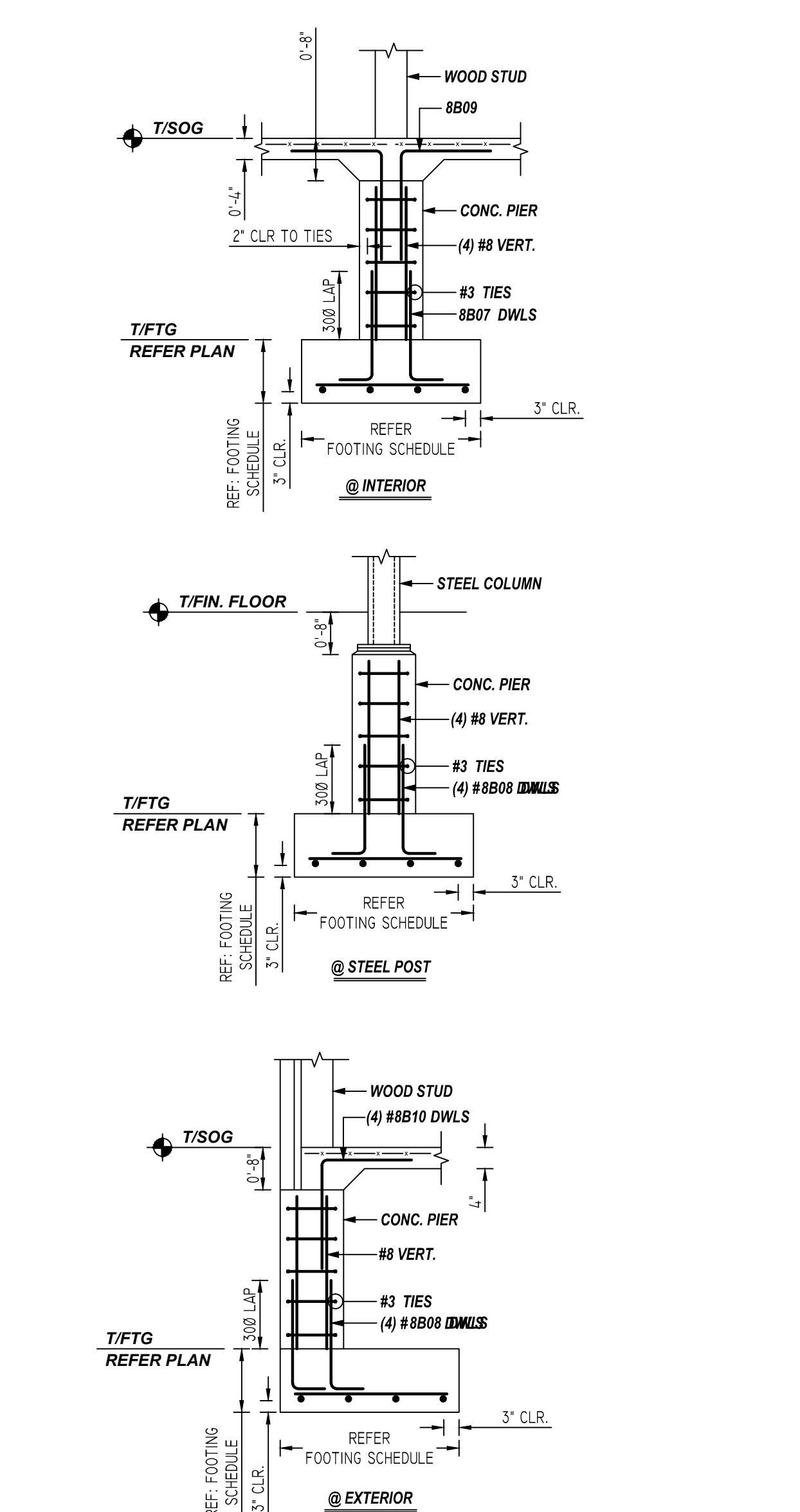


**NOTICE**  
 SHORTAGES, IMPROPER FABRICATION OR CLAIMS FOR ANY OTHER REASON MUST BE REPORTED TO THIS COMPANY WITHIN 10 DAYS FROM ORIGINAL DELIVERY. THIS COMPANY ALSO RESERVES THE RIGHT TO FIELD INSPECT MATERIALS PRIOR TO REPLACEMENT OR RECONDITIONING OF MATERIALS AND WILL NOT BE LIABLE FOR CHARGES FROM WORK DONE IN THE FIELD WITHOUT PRIOR AUTHORIZATION FROM THIS COMPANY.

REINFORCING STEEL PLACING DRAWING ONLY. USE IN CONJUNCTION WITH CONTRACT DRAWINGS & SPECIFICATIONS. ELEVATIONS & DIMENSIONS SHOWN ON DRAWING ARE FOR DETAILING PURPOSES ONLY AND SHOULD NOT BE USED FOR CONSTRUCTION UNLESS VERIFIED BY ENGINEER OR CONTRACTOR.



**BUILDING 2 - FIRST FLOOR & FOUNDATION PLAN**  
 REF: S2.2.1 (DT.03/29/22)  
 SCALE: 1/10" = 1'-0"



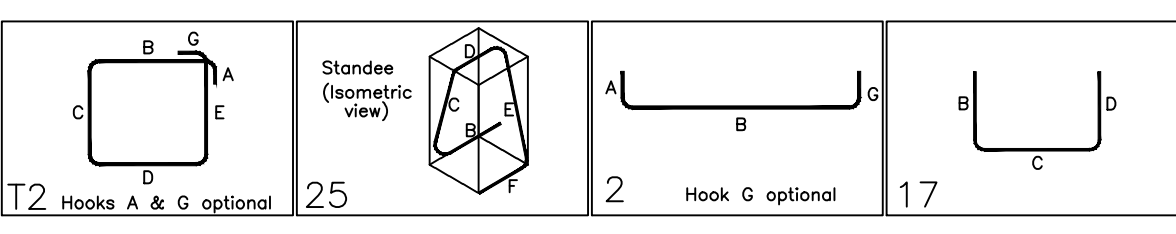
**TYPICAL CONCRETE PIER & FOOTING DETAILS**  
 REF: S2.1.1, S1.0.2 (DT.03/29/22)  
 SCALE: 1/2" = 1'-0"

**FOOTING SCHEDULE**

MARK	SIZE	T/FTG ELEVATION	QTY	FOOTING REINFORCEMENTS		CONCRETE PIER DETAILS			CMU DOWELS	DOWELS TO SOG	STANDEES
				BOTTOM	TOP	SIZE	T/PIER	QTY			
F-8	14'-0"x12'-0"x12"	58.00	1	REFER ELEVATOR PIT DRAWINGS							
F-11	6'-0"x6'-0"x24"	50.67	1	2x7 #6 X 5'-6" @12" EW	2x7 #6 X 5'-6" @12" EW	16"x16"	61.333	1	4 #8 8B04 DWLS 4 #8 X 10'-5" VERT. 14 #3 3B01 @10" TIES	12 #7 7B03 @8"	25x4 #8 8B01 100 #5 5B78 @48"
		54.00	1	2x7 #6 X 5'-6" @12" EW	2x7 #6 X 5'-6" @12" EW	16"x16"	61.333	1	4 #8 8B04 DWLS 4 #8 X 7'-2" VERT. 10 #3 3B01 @10" TIES	9 #7 7B03 @8"	
		56.67	2	2x2x7 #6 X 5'-6" @12" EW	2x2x7 #6 X 5'-6" @12" EW	16"x16"	61.333	2	2x4 #8 8B04 DWLS 2x4 #8 X 4'-5" VERT. 2x7 #3 3B01 @10" TIES	10 #7 7B03 @16"	
		57.33	1	2x7 #6 X 5'-6" @12" EW	2x7 #6 X 5'-6" @12" EW	16"x16"	61.333	1	4 #8 8B04 DWLS 4 #8 X 3'-10" VERT. 6 #3 3B01 @10" TIES	4 #6 6B05 @16"	
		58.00	8	8x2x7 #6 X 5'-6" @12" EW	8x2x7 #6 X 5'-6" @12" EW	16"x16"	61.333	8	8x4 #8 8B06 VERT. 8x5 #3 3B01 @10" TIES	40 #6 6B05 @16"	
		58.67	5	5x2x7 #6 X 5'-6" @12" EW	5x2x7 #6 X 5'-6" @12" EW	16"x16"	61.333	5	5x4 #8 8B05 VERT. 5x4 #3 3B01 @10" TIES	30 #6 6B06 @16"	
		59.33	1	2x7 #6 X 5'-6" @12" EW	2x7 #6 X 5'-6" @12" EW	16"x16"	61.333	1	4 #8 8B02 VERT. 3 #3 3B01 @10" TIES	4 #6 6B03 @16"	
		60.00	4	4x2x7 #6 X 5'-6" @12" EW	4x2x7 #6 X 5'-6" @12" EW	16"x16"	61.333	4	4x4 #8 8B03 VERT. 4x3 #3 3B01 @10" TIES	20 #6 6B04 @16"	
F-12	12'-0"x6'-0"x24"	57.33	2	2x7 #6 X 11'-6" @12" LW 2x13 #6 X 5'-6" @12" SW	2x7 #6 X 11'-6" @12" LW 2x13 #6 X 5'-6" @12" SW	16"x16"	61.333	4	4x4 #8 8B04 DWLS 4x4 #8 X 3'-10" VERT. 4x6 #3 3B01 @10" TIES	20 #6 6B05 @16"	3x4 #8 8B01 18 #5 5B78 @48"
		60.00	1	7 #6 X 11'-6" @12" LW 13 #6 X 5'-6" @12" SW	7 #6 X 11'-6" @12" LW 13 #6 X 5'-6" @12" SW	16"x16"	61.333	3	3x4 #8 8B03 VERT. 3x3 #3 3B01 @10" TIES	19 #6 6B04 @16"	
F-13	16'-0"x12'-0"x24"	59.33	1	13 #6 X 15'-6" @12" LW 17 #6 X 11'-6" @12" SW	13 #6 X 15'-6" @12" LW 17 #6 X 11'-6" @12" SW	16"x16"	61.333	4	4x4 #8 8B02 VERT. 4x3 #3 3B01 @10" TIES	4 #8 8B01 12 #5 5B78 @48"	

Release Number: 610

Bar Mark	Qty	Size	Total Length	Type	X	Y	Z	W	V	U	T	S	R	Q	P	O	N	M	L	K	J	I	H	G	F	E	D	C	B	A
3801	164	1/2"	4'-8"	T2	0'-4"	1'-0"	1'-0"	1'-0"	1'-0"	1'-0"	1'-0"	1'-0"	1'-0"	1'-0"	1'-0"	1'-0"	1'-0"	1'-0"	1'-0"	1'-0"	1'-0"	1'-0"	1'-0"	1'-0"	1'-0"	1'-0"	1'-0"	1'-0"	1'-0"	1'-0"
5678	130	5/8"	7'-2 1/2"	T5	1'-6"	1'-4 X	1'-6"	1'-6"	1'-6"	1'-6"	1'-6"	1'-6"	1'-6"	1'-6"	1'-6"	1'-6"	1'-6"	1'-6"	1'-6"	1'-6"	1'-6"	1'-6"	1'-6"	1'-6"	1'-6"	1'-6"	1'-6"	1'-6"	1'-6"	1'-6"
6803	37	6	4'-7 1/2"	T2	1'-0"	5'-7"																								
6804	39	6	5'-11"	T2	1'-0"	2'-11"																								
6805	54	6	5'-0"	T2	1'-0"	4'-0"																								
6806	32	6	5'-2"	T2	1'-0"	4'-2"																								
7803	31	7	5'-7"	T2	1'-2"	4'-5"																								
8801	116	8	4'-0"	T2	2'-0"	2'-0"																								
8802	20	8	4'-9"	T2	1'-4"	3'-5"																								
8803	28	8	4'-1"	T2	1'-4"	2'-9"																								
8804	36	8	5'-10"	T2	1'-4"	4'-6"																								
8805	20	8	5'-5"	T2	1'-4"	4'-1"																								
8806	32	8	6'-1"	T2	1'-4"	4'-0"																								
8807	4	8	5'-10"	T2	1'-4"	4'-4"																								
8808	16	8	5'-10"	T2	1'-4"	4'-4"																								
8809	8	8	4'-0"	T2	2'-0"	2'-0"																								
8810	20	8	4'-0"	T2	2'-0"	2'-0"																								



ALL BARS IN THIS DRAWING  
 ASTM A615 GRADE 60  
 BLACK UNCOATED

**TYPICAL REINFORCING BAR CLEARANCE TABLE**

LOCATION	MIN. COVER
FOOTING BOTTOM & SIDE	3" CLR
FOOTING TOP	2" CLR

**REBAR GRADE 60 ASTM A-615**

**SPLICES USED**  
 CLASS B 3,000 psi UNO

TOP BARS	OTHER BARS
#3 28"	#3 22"
#4 37"	#4 29"
#5 47"	#5 36"
#6 56"	#6 43"
#7 81"	#7 63"
#8 93"	#8 72"
#9 105"	#9 81"
#10 118"	#10 91"
#11 131"	#11 101"
#14	#14

**ABBREVIATIONS**  
 ADD. = Additional  
 B.O.W. = Bottom of wall  
 C.B. = Corner Bars  
 DIAG. = Diagonal  
 D.O. = Door Opening  
 DWLS. = Dowels  
 E.F. = Each Face  
 E.S. = Each Side  
 E.W. = Each Way  
 FTG. = Footing  
 F.F. = Fair Face  
 HORIZ. = Horizontal  
 I.F. = Inside Face  
 INTERS. = Intersection  
 L.W. = Long Way  
 N.F. = Near Face  
 O.F. = Outside Face  
 S.W. = Short Way  
 T&B = Top & Bottom  
 T.O.W. = Top of Wall  
 Trans. = Transverse  
 VERT. = Vertical

**BAR MARK SIZE EQUIVALENT**

Imperial	Soft Metric
#3	#10
#4	#13
#5	#16
#6	#19
#7	#22
#8	#25
#9	#29
#10	#32
#11	#36

**CANTON OVERLOOK**  
 BUILDING 2 - FOUNDATION PLAN & FOOTING SCHEDULE  
 1617 BROENING HIGHWAY, BALTIMORE MD 21224

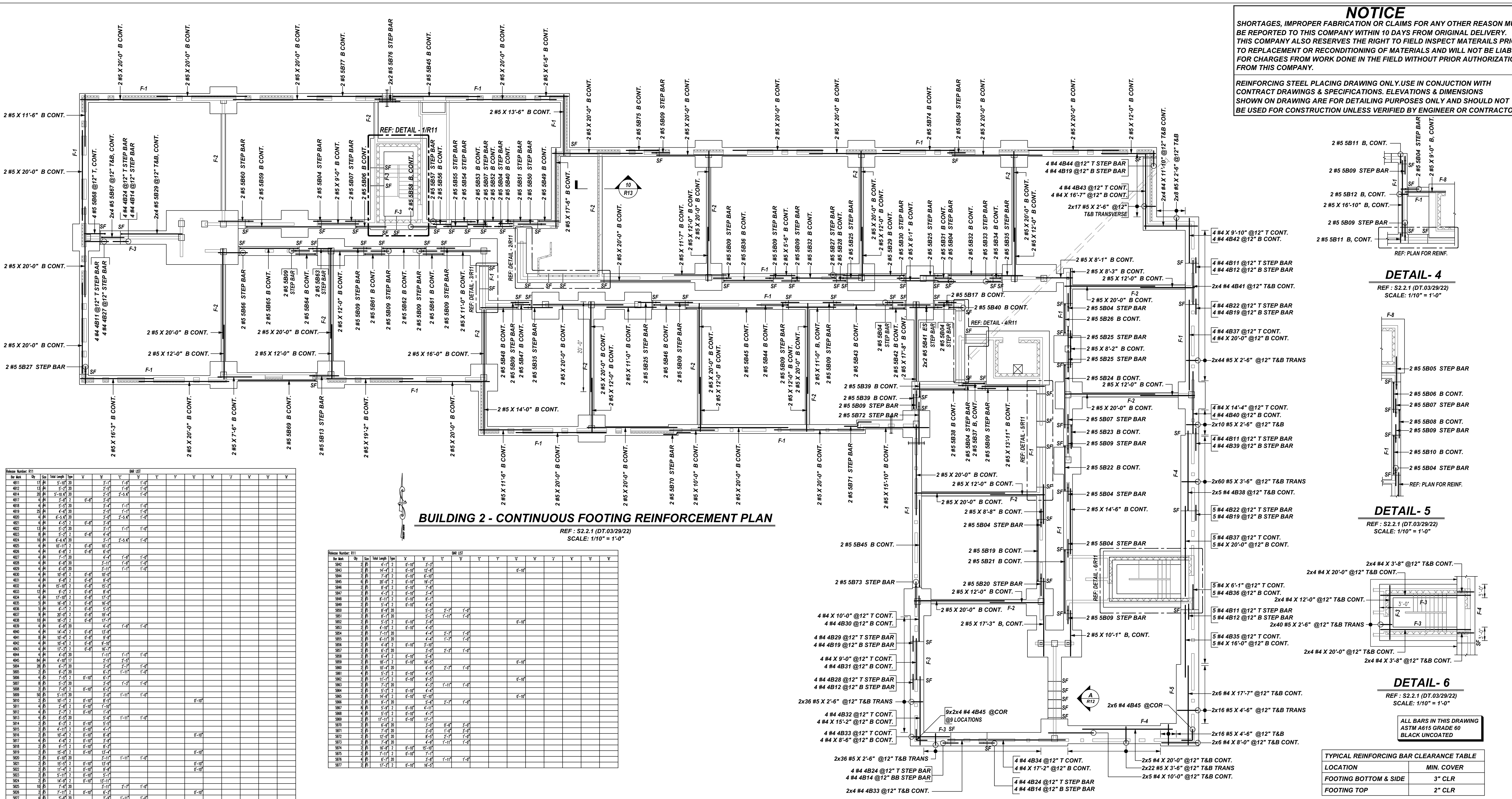
CUSTOMER: --  
 DESIGNER: --  
 DRAWN BY: RTE DATE: 06.15.21  
 JOB NO: --  
 SHEET NO: R10

REV NO	DATE	APPROVAL	REV NO	DATE	SENT FOR
0	06.15.21				

**NOTICE**

SHORTAGES, IMPROPER FABRICATION OR CLAIMS FOR ANY OTHER REASON MUST BE REPORTED TO THIS COMPANY WITHIN 10 DAYS FROM ORIGINAL DELIVERY. THIS COMPANY ALSO RESERVES THE RIGHT TO FIELD INSPECT MATERIALS PRIOR TO REPLACEMENT OR RECONDITIONING OF MATERIALS AND WILL NOT BE LIABLE FOR CHARGES FROM WORK DONE IN THE FIELD WITHOUT PRIOR AUTHORIZATION FROM THIS COMPANY.

REINFORCING STEEL PLACING DRAWING ONLY. USE IN CONJUNCTION WITH CONTRACT DRAWINGS & SPECIFICATIONS. ELEVATIONS & DIMENSIONS SHOWN ON DRAWING ARE FOR DETAILING PURPOSES ONLY AND SHOULD NOT BE USED FOR CONSTRUCTION UNLESS VERIFIED BY ENGINEER OR CONTRACTOR.



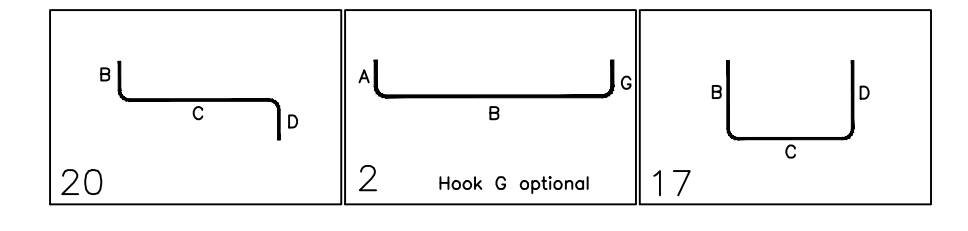
Bar Mark	Qty	Size	Total Length	Type	X	Y	Z	U	V	W	X	Y	Z	U	V	W
4B11	17	#4	5'-00"	20	1-3"	1-3"	1-3"									
4B12	13	#4	5'-00"	20	1-3"	1-3"	1-3"									
4B13	13	#4	5'-00"	20	1-3"	1-3"	1-3"									
4B14	20	#4	5'-00"	20	1-3"	1-3"	1-3"									
4B17	4	#4	3'-0"	2	0'-8"	0'-8"	0'-8"									
4B18	4	#4	5'-00"	20	1-3"	1-3"	1-3"									
4B19	20	#4	4'-00"	20	1-3"	1-3"	1-3"									
4B20	4	#4	6'-00"	2	0'-8"	0'-8"	0'-8"									
4B21	4	#4	4'-00"	2	0'-8"	0'-8"	0'-8"									
4B22	13	#4	10'-0"	2	0'-8"	0'-8"	0'-8"									
4B23	8	#4	5'-00"	2	0'-8"	0'-8"	0'-8"									
4B24	16	#4	6'-00"	2	0'-8"	0'-8"	0'-8"									
4B25	4	#4	10'-0"	2	0'-8"	0'-8"	0'-8"									
4B26	4	#4	4'-00"	2	0'-8"	0'-8"	0'-8"									
4B27	4	#4	7'-00"	2	0'-8"	0'-8"	0'-8"									
4B28	4	#4	6'-00"	2	0'-8"	0'-8"	0'-8"									
4B29	4	#4	6'-00"	2	0'-8"	0'-8"	0'-8"									
4B30	4	#4	6'-00"	2	0'-8"	0'-8"	0'-8"									
4B31	4	#4	6'-00"	2	0'-8"	0'-8"	0'-8"									
4B32	4	#4	6'-00"	2	0'-8"	0'-8"	0'-8"									
4B33	4	#4	6'-00"	2	0'-8"	0'-8"	0'-8"									
4B34	4	#4	6'-00"	2	0'-8"	0'-8"	0'-8"									
4B35	4	#4	6'-00"	2	0'-8"	0'-8"	0'-8"									
4B36	4	#4	6'-00"	2	0'-8"	0'-8"	0'-8"									
4B37	4	#4	6'-00"	2	0'-8"	0'-8"	0'-8"									
4B38	4	#4	6'-00"	2	0'-8"	0'-8"	0'-8"									
4B39	4	#4	6'-00"	2	0'-8"	0'-8"	0'-8"									
4B40	4	#4	6'-00"	2	0'-8"	0'-8"	0'-8"									
4B41	4	#4	6'-00"	2	0'-8"	0'-8"	0'-8"									
4B42	4	#4	6'-00"	2	0'-8"	0'-8"	0'-8"									
4B43	4	#4	6'-00"	2	0'-8"	0'-8"	0'-8"									
4B44	4	#4	6'-00"	2	0'-8"	0'-8"	0'-8"									
4B45	4	#4	6'-00"	2	0'-8"	0'-8"	0'-8"									
4B46	4	#4	6'-00"	2	0'-8"	0'-8"	0'-8"									
4B47	4	#4	6'-00"	2	0'-8"	0'-8"	0'-8"									
4B48	4	#4	6'-00"	2	0'-8"	0'-8"	0'-8"									
4B49	4	#4	6'-00"	2	0'-8"	0'-8"	0'-8"									
4B50	4	#4	6'-00"	2	0'-8"	0'-8"	0'-8"									
4B51	4	#4	6'-00"	2	0'-8"	0'-8"	0'-8"									
4B52	4	#4	6'-00"	2	0'-8"	0'-8"	0'-8"									
4B53	4	#4	6'-00"	2	0'-8"	0'-8"	0'-8"									
4B54	4	#4	6'-00"	2	0'-8"	0'-8"	0'-8"									
4B55	4	#4	6'-00"	2	0'-8"	0'-8"	0'-8"									
4B56	4	#4	6'-00"	2	0'-8"	0'-8"	0'-8"									
4B57	4	#4	6'-00"	2	0'-8"	0'-8"	0'-8"									
4B58	4	#4	6'-00"	2	0'-8"	0'-8"	0'-8"									
4B59	4	#4	6'-00"	2	0'-8"	0'-8"	0'-8"									
4B60	4	#4	6'-00"	2	0'-8"	0'-8"	0'-8"									

**BUILDING 2 - CONTINUOUS FOOTING REINFORCEMENT PLAN**  
REF: S2.2.1 (DT.03/29/22)  
SCALE: 1/10" = 1'-0"

**DETAIL - 4**  
REF: S2.2.1 (DT.03/29/22)  
SCALE: 1/10" = 1'-0"

**DETAIL - 5**  
REF: S2.2.1 (DT.03/29/22)  
SCALE: 1/10" = 1'-0"

**DETAIL - 6**  
REF: S2.2.1 (DT.03/29/22)  
SCALE: 1/10" = 1'-0"



**DETAIL - 1**  
REF: S2.2.1 (DT.03/29/22)  
SCALE: 1/10" = 1'-0"

**DETAIL - 2**  
REF: S2.2.1 (DT.03/29/22)  
SCALE: 1/10" = 1'-0"

**DETAIL - 3**  
REF: S2.2.1 (DT.03/29/22)  
SCALE: 1/10" = 1'-0"

**REBAR GRADE 60 ASTM A-615**

**SPLICES USED**

**CLASS B 3,000 psi UNO**

TOP BARS	OTHER BARS
#3 28"	#3 22"
#4 37"	#4 29"
#5 47"	#5 36"
#6 56"	#6 43"
#7 81"	#7 63"
#8 93"	#8 72"
#9 105"	#9 81"
#10 118"	#10 91"
#11 131"	#11 101"
	#14

ABBREVIATIONS		BAR MARK SIZE EQUIVALENT	
ADD.	= Additional	Imperial	Soft Metric
B.O.W.	= Bottom of wall	#3	#10
C.B.	= Corner Bars	#4	#13
DIAG.	= Diagonal	#5	#16
D.O.	= Door Opening	#6	#19
DWLS.	= Dowels	#7	#22
E.F.	= Each Face	#8	#25
E.S.	= Each Side	#9	#29
E.W.	= Each Way	#10	#32
FTG.	= Footing	#11	#36
F.F.	= Fair Face		
HORIZ.	= Horizontal		
I.F.	= Inside Face		
INTERSECT.	= Intersection		
L.W.	= Long Way		
N.F.	= Near Face		
O.F.	= Outside Face		
S.W.	= Short Way		
T&B	= Top & Bottom		
T.O.W.	= Top of Wall		
TRANS.	= Transverse		
VERT.	= Vertical		

**TYPICAL REINFORCING BAR CLEARANCE TABLE**

LOCATION	MIN. COVER
FOOTING BOTTOM & SIDE	3" CLR
FOOTING TOP	2" CLR

**CANTON OVERLOOK**  
BUILDING 2 - CONTINUOUS FOOTING REINFORCEMENT PLAN  
1617 BROENING HIGHWAY, BALTIMORE MD 21224

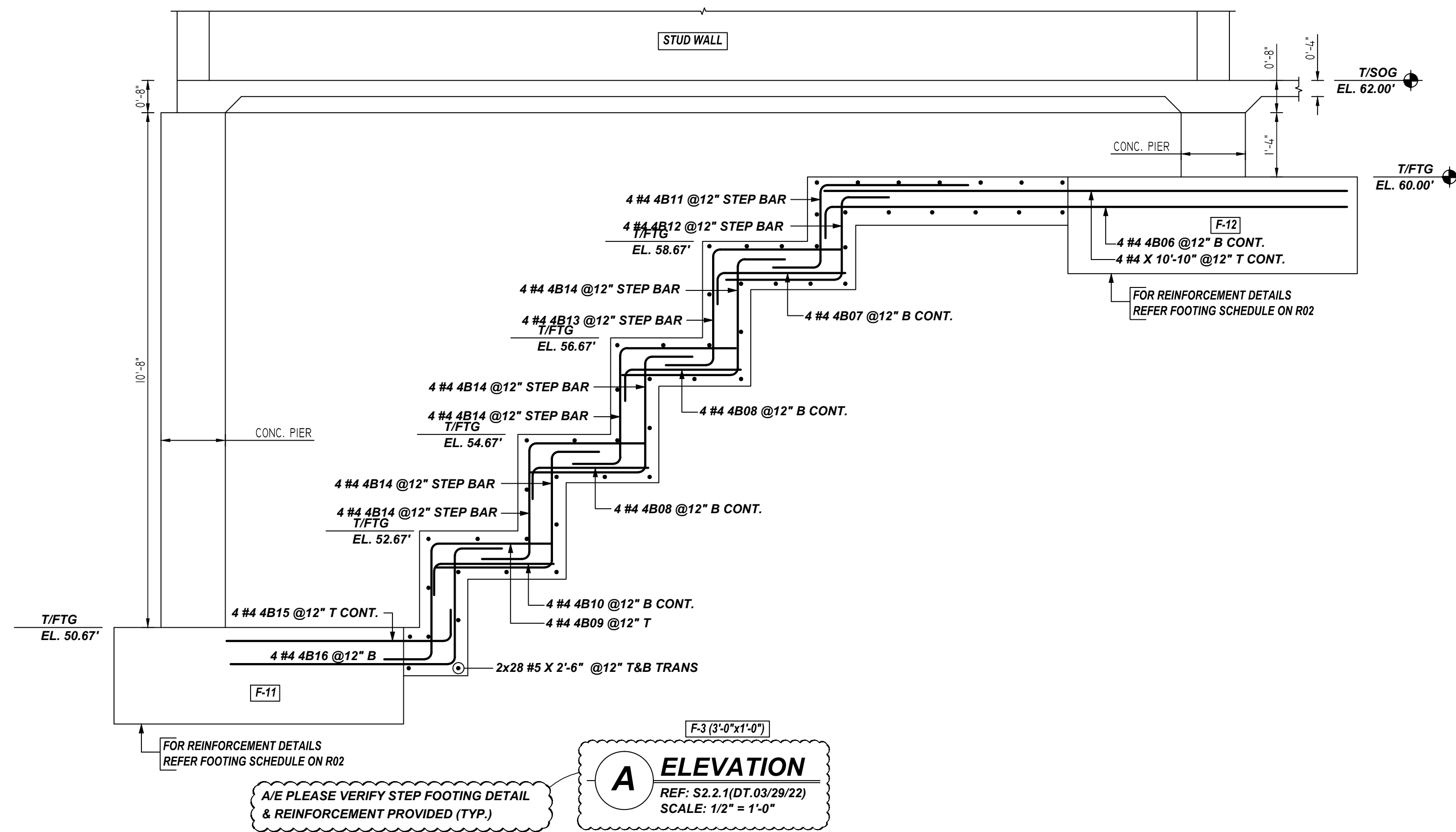
CUSTOMER: --  
DESIGNER: --

REV NO	DATE	APPROVAL SENT FOR	REV NO	DATE	SENT FOR
0	06.15.21				

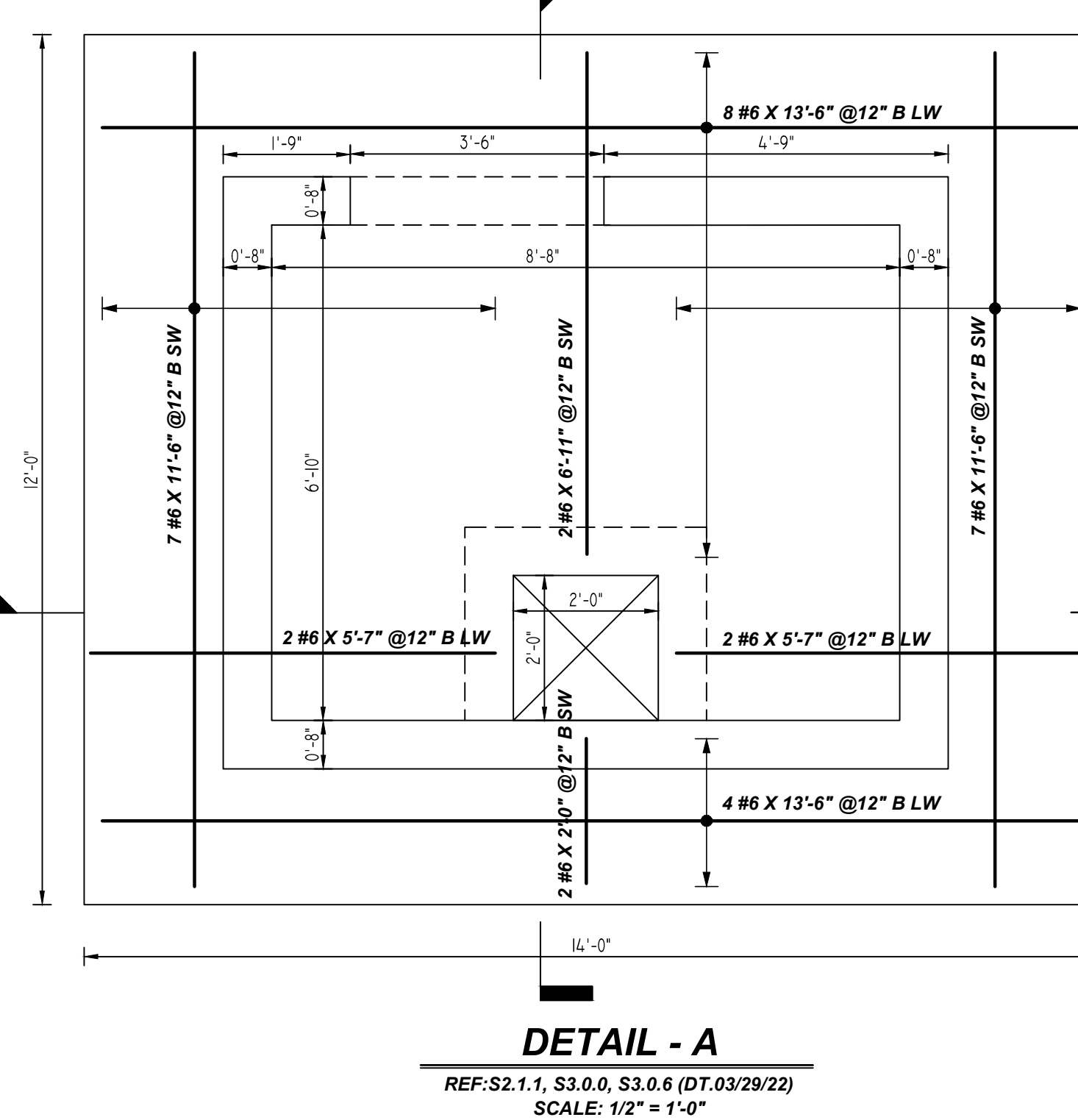
DRAWN BY: RTE      DATE: 06.15.21      JOB NO: --      SHEET NO. R11

**NOTICE**  
 SHORTAGES, IMPROPER FABRICATION OR CLAIMS FOR ANY OTHER REASON MUST BE REPORTED TO THIS COMPANY WITHIN 10 DAYS FROM ORIGINAL DELIVERY. THIS COMPANY ALSO RESERVES THE RIGHT TO FIELD INSPECT MATERIALS PRIOR TO REPLACEMENT OR RECONDITIONING OF MATERIALS AND WILL NOT BE LIABLE FOR CHARGES FROM WORK DONE IN THE FIELD WITHOUT PRIOR AUTHORIZATION FROM THIS COMPANY.

REINFORCING STEEL PLACING DRAWING ONLY. USE IN CONJUNCTION WITH CONTRACT DRAWINGS & SPECIFICATIONS. ELEVATIONS & DIMENSIONS SHOWN ON DRAWING ARE FOR DETAILING PURPOSES ONLY AND SHOULD NOT BE USED FOR CONSTRUCTION UNLESS VERIFIED BY ENGINEER OR CONTRACTOR.

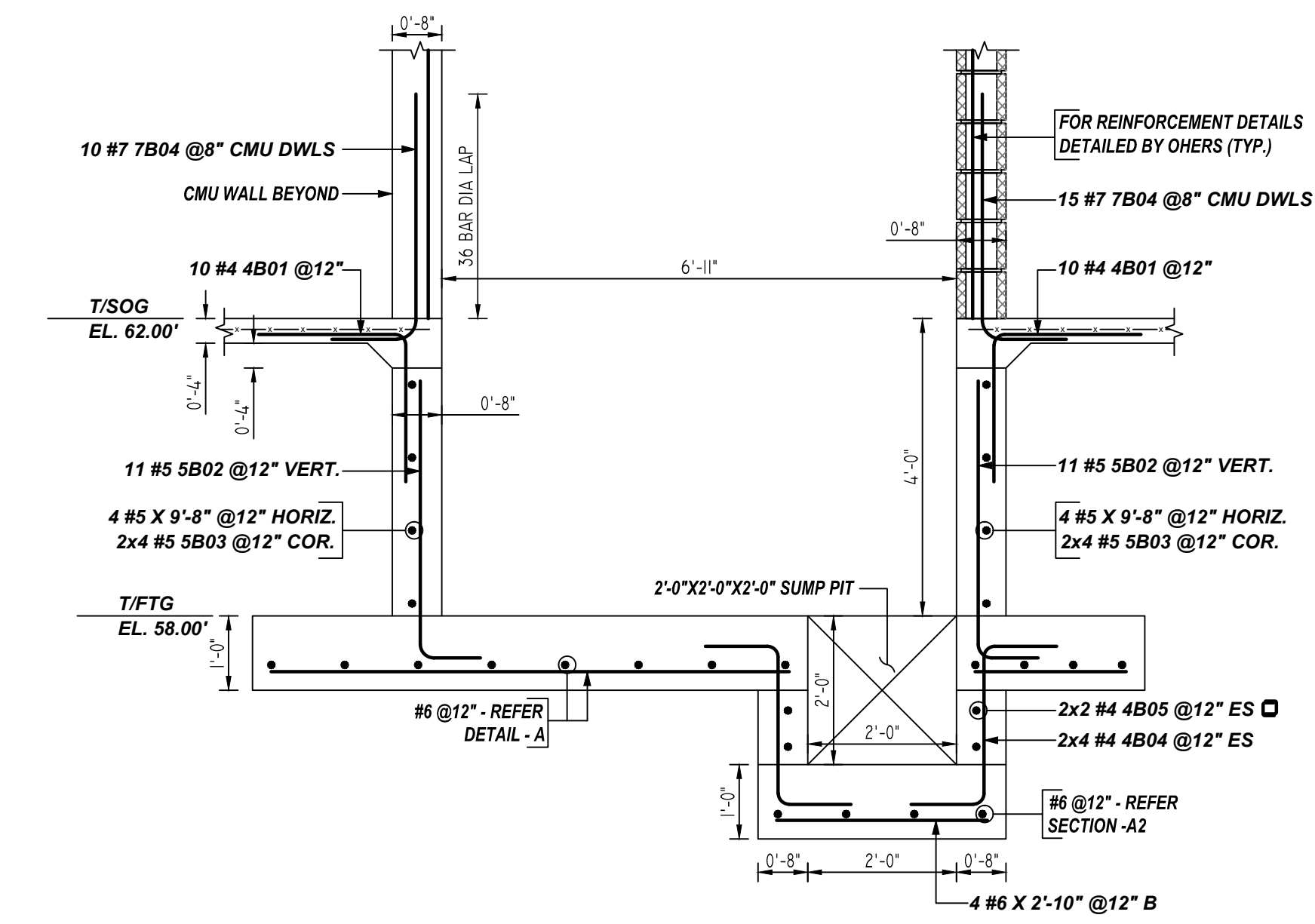


**A2**  
R12



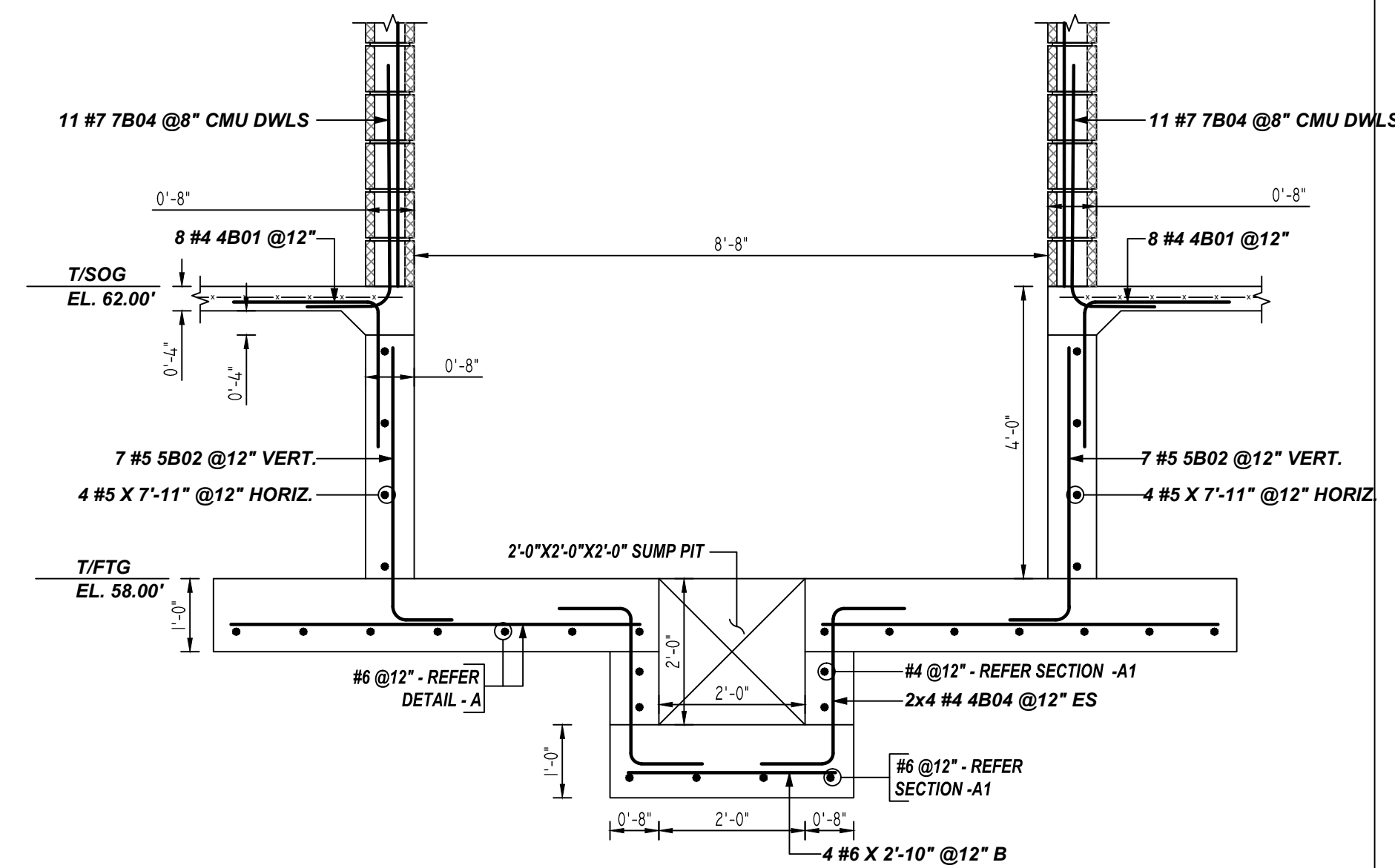
**DETAIL - A**

REF: S2.1.1, S3.0.0, S3.0.6 (DT.03/29/22)  
 SCALE: 1/2" = 1'-0"



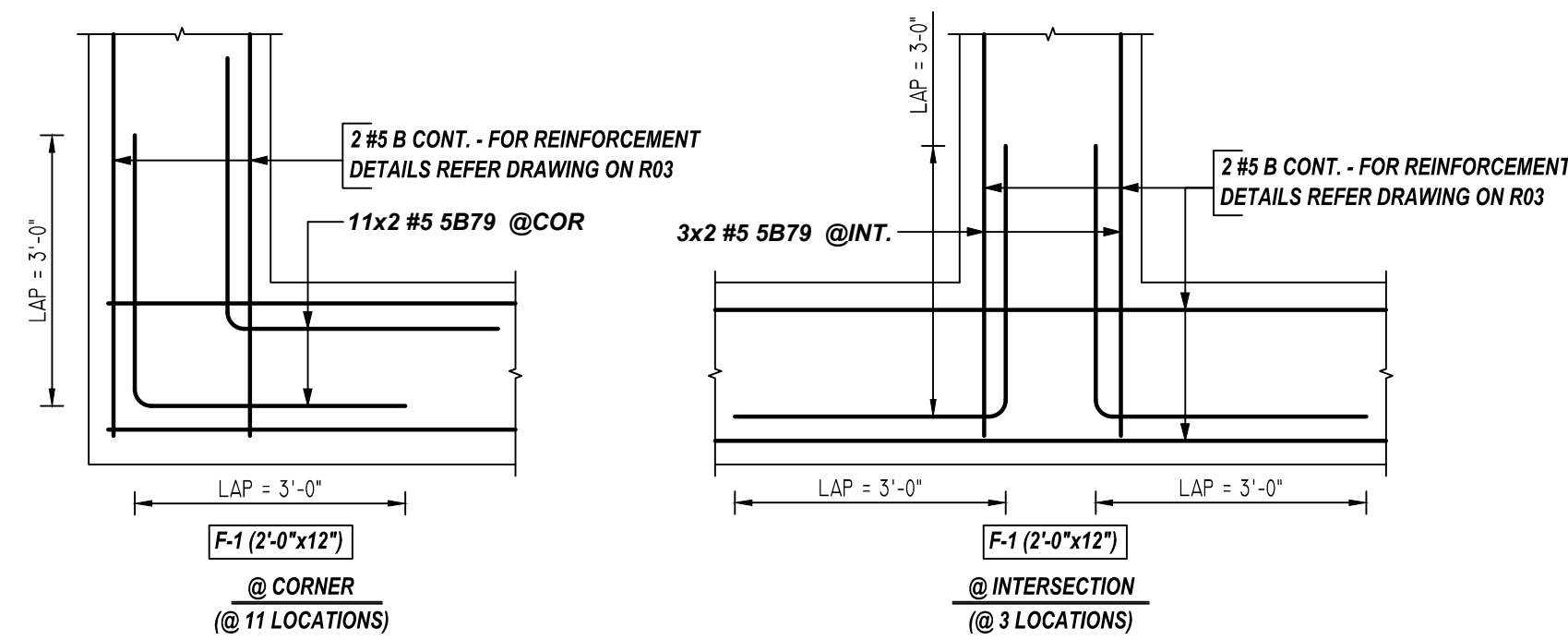
**A1 SECTION**

REF: S2.1.1, S3.0.0 (DT.03/29/22)  
 SCALE: 1/2" = 1'-0"



**A2 SECTION**

REF: S2.1.1, S3.0.0 (DT.03/29/22)  
 SCALE: 1/2" = 1'-0"



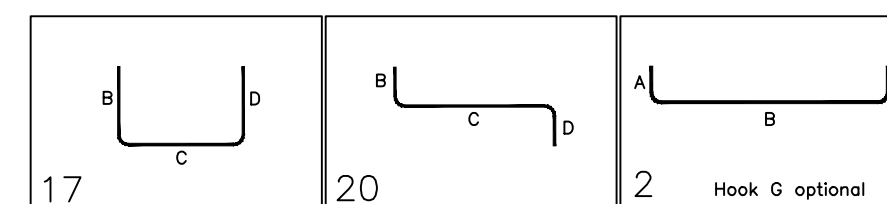
**TYPICAL FOOTING CORNER & INTERSECTION DETAILS**

SCALE: 1/2" = 1'-0"

TYPICAL REINFORCING BAR CLEARANCE TABLE	
LOCATION	MIN. COVER
FOOTING BOTTOM & SIDE	3" CLR
FOOTING TOP	2" CLR

**ALL BARS IN THIS DRAWING  
 ASTM A615 GRADE 60  
 BLACK UNCOATED**

Bar Mark	Qty	Size	Total Length	Type	X'	Y'	Z'	BAR LIST	Y'	Y'	Y'	Y'	Y'	Y'	
4801	36	#4	4'-0"	17			2'-0"								
4804	18	#4	4'-2"	20			1'-0"	2'-0"							
4805	4	#4	8'-3"	17			2'-0"	2'-0"							
4806	4	#4	11'-5"	2		0'-5"	10'-10"								
4807	4	#4	3'-4"	2		0'-5"	2'-8"								
4808	8	#4	3'-1"	2		0'-5"	2'-5"								
4809	4	#4	5'-11"	20			2'-5"	2'-5"							
4810	4	#4	3'-2"	2		0'-5"	2'-5"								
4811	4	#4	5'-10"	20			3'-1"	1'-0"							
4812	4	#4	5'-2"	20			2'-5"	1'-0"							
4813	4	#4	6'-1"	20			2'-5"	1'-0"							
4814	20	#4	5'-10"	20			2'-5"	2'-5"							
4815	4	#4	5'-4"	2		0'-5"	4'-8"								
4816	4	#4	8'-1"	20			4'-8"	2'-5"							
5802	36	#5	4'-7"	2		0'-10"	3'-9"								
5803	18	#5	7'-10"	17			3'-11"	3'-11"							
5804	28	#5	8'-5"	17			3'-0"	3'-0"							
7804	40	#1	4'-5"	2		1'-2"	3'-4"								



**REBAR GRADE 60 ASTM A-615**

**SPLICES USED**

**CLASS B 3,000 psi UNO**

TOP BARS	OTHER BARS
#3 28"	#3 22"
#4 37"	#4 29"
#5 47"	#5 36"
#6 56"	#6 43"
#7 81"	#7 63"
#8 93"	#8 72"
#9 105"	#9 81"
#10 118"	#10 91"
#11 131"	#11 101"
#14	#14

**ABBREVIATIONS**

ADD. = Additional  
 B.O.W. = Bottom of wall  
 C.B. = Corner Bars  
 DIAG. = Diagonal  
 D.O. = Door Opening  
 DWLS. = Dowels  
 E.F. = Each Face  
 E.S. = Each Side  
 E.W. = Each Way  
 FTG. = Footing  
 F.F. = Fair Face  
 HORIZ. = Horizontal  
 I.F. = Inside Face  
 INTERS. = Intersection  
 L.W. = long Way  
 N.F. = Near Face  
 O.F. = Outside Face  
 S.W. = Short Way  
 T&B = Top & Bottom  
 T.O.W. = Top of Wall  
 Trans. = Transverse  
 VERT. = Vertical

**BAR MARK SIZE EQUIVALENT**

Imperial	Soft Metric
#3	#10
#4	#13
#5	#16
#6	#19
#7	#22
#8	#25
#9	#29
#10	#32
#11	#36

A/E PLEASE VERIFY LAP SCHEDULE PROVIDED.

REV NO	DATE	APPROVAL	REV NO	DATE	SENT FOR
0	06.15.21				

**CANTON OVERLOOK**  
 BUILDING 2 - FOUNDATION REINFORCEMENT DETAILS  
 1617 BROENING HIGHWAY, BALTIMORE MD 21224

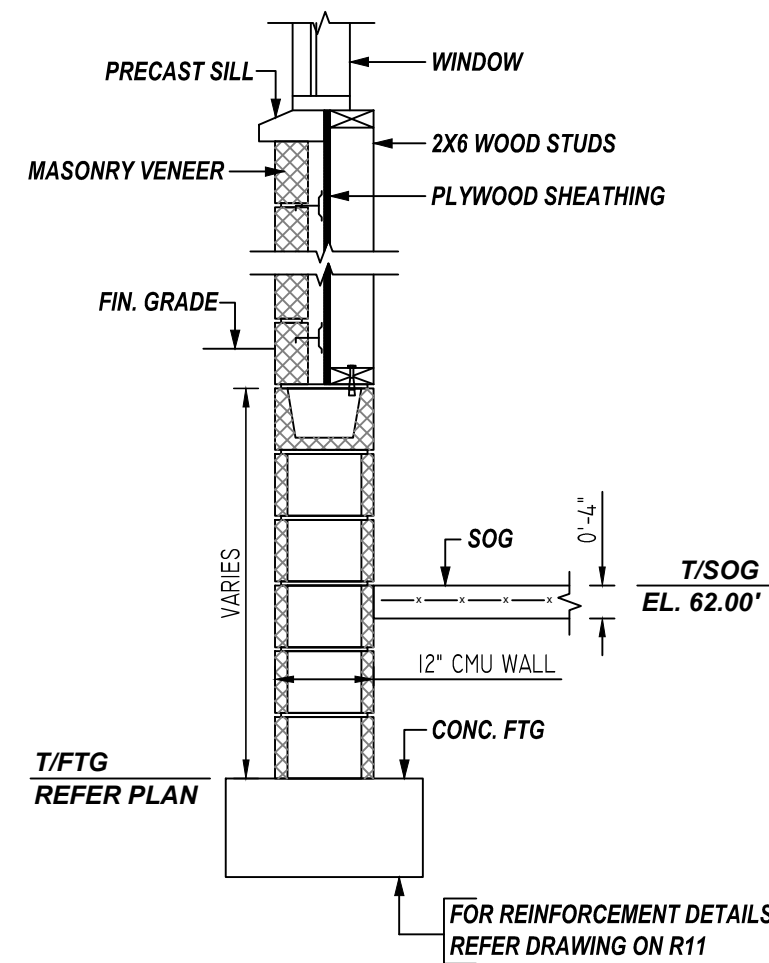
CUSTOMER: --  
 DESIGNER: --

DRAWN BY: RTE DATE: 06.15.21 JOB NO: -- SHEET NO. R12

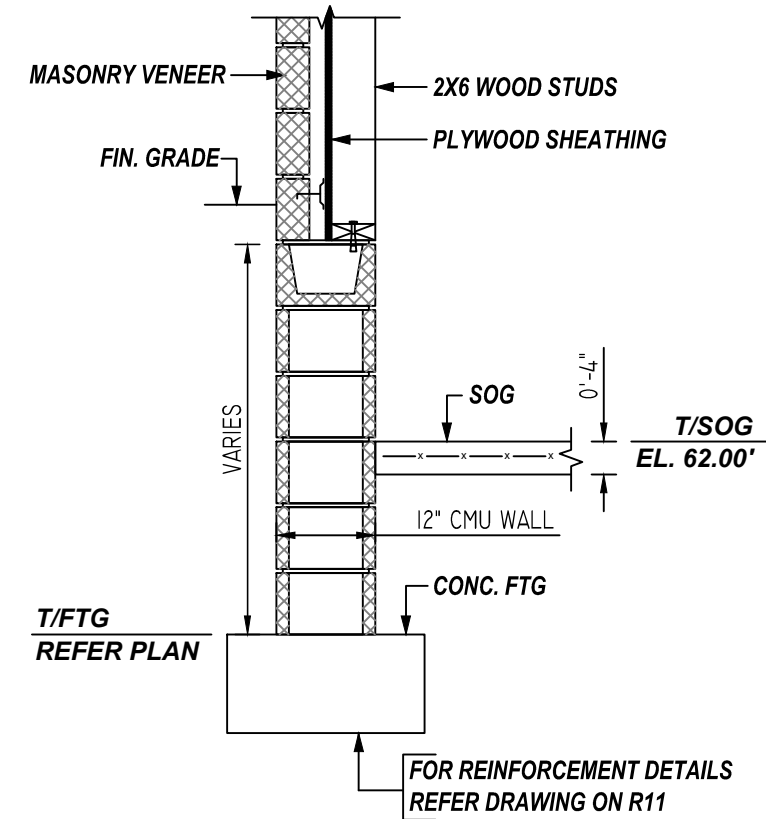
**NOTICE**

SHORTAGES, IMPROPER FABRICATION OR CLAIMS FOR ANY OTHER REASON MUST BE REPORTED TO THIS COMPANY WITHIN 10 DAYS FROM ORIGINAL DELIVERY. THIS COMPANY ALSO RESERVES THE RIGHT TO FIELD INSPECT MATERIALS PRIOR TO REPLACEMENT OR RECONDITIONING OF MATERIALS AND WILL NOT BE LIABLE FOR CHARGES FROM WORK DONE IN THE FIELD WITHOUT PRIOR AUTHORIZATION FROM THIS COMPANY.

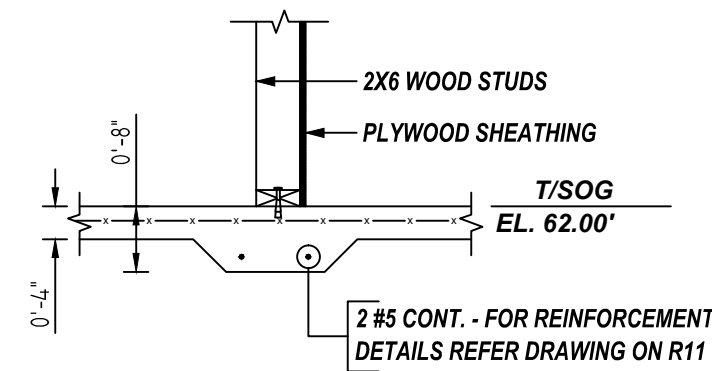
REINFORCING STEEL PLACING DRAWING ONLY. USE IN CONJUNCTION WITH CONTRACT DRAWINGS & SPECIFICATIONS. ELEVATIONS & DIMENSIONS SHOWN ON DRAWING ARE FOR DETAILING PURPOSES ONLY AND SHOULD NOT BE USED FOR CONSTRUCTION UNLESS VERIFIED BY ENGINEER OR CONTRACTOR.



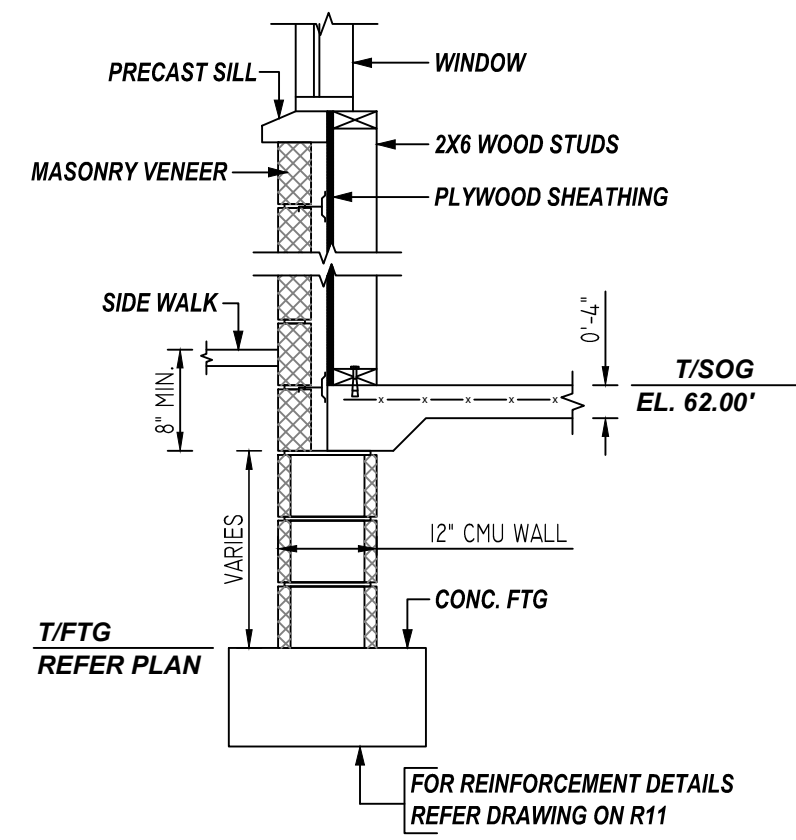
**1 SECTION**  
REF: S2.2.1, S3.0.6 (DT.03/29/22)  
SCALE: 1/2" = 1'-0"



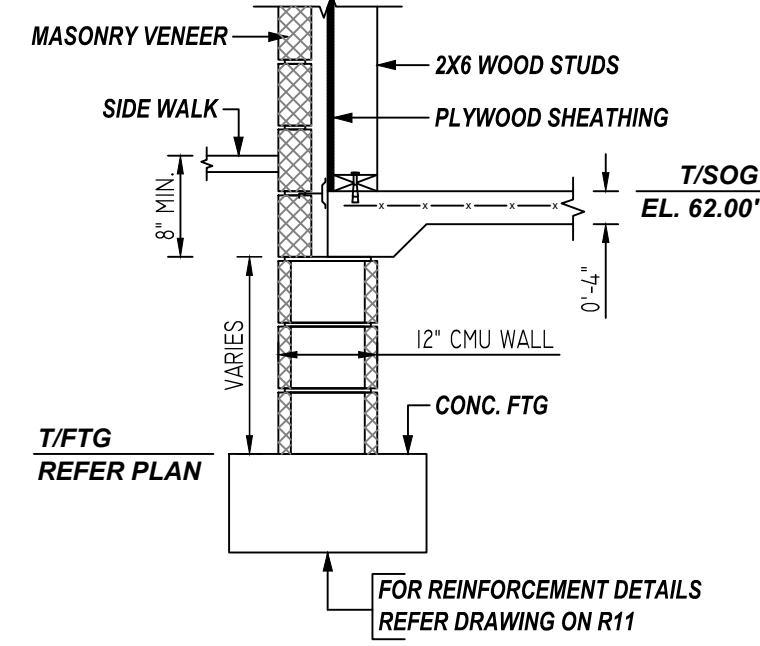
**2 SECTION**  
REF: S2.2.1, S3.0.6 (DT.03/29/22)  
SCALE: 1/2" = 1'-0"



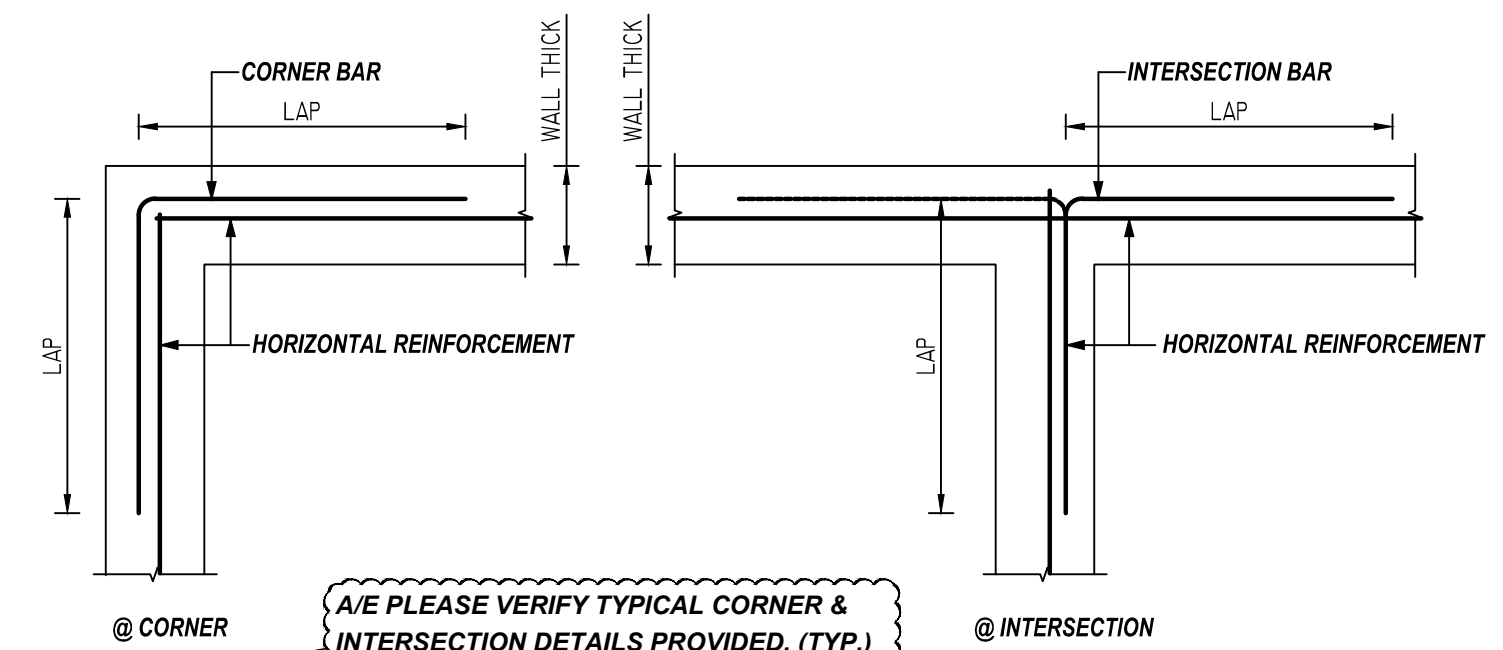
**3 SECTION**  
REF: S2.2.1, S3.0.0 (DT.03/29/22)  
SCALE: 1/2" = 1'-0"



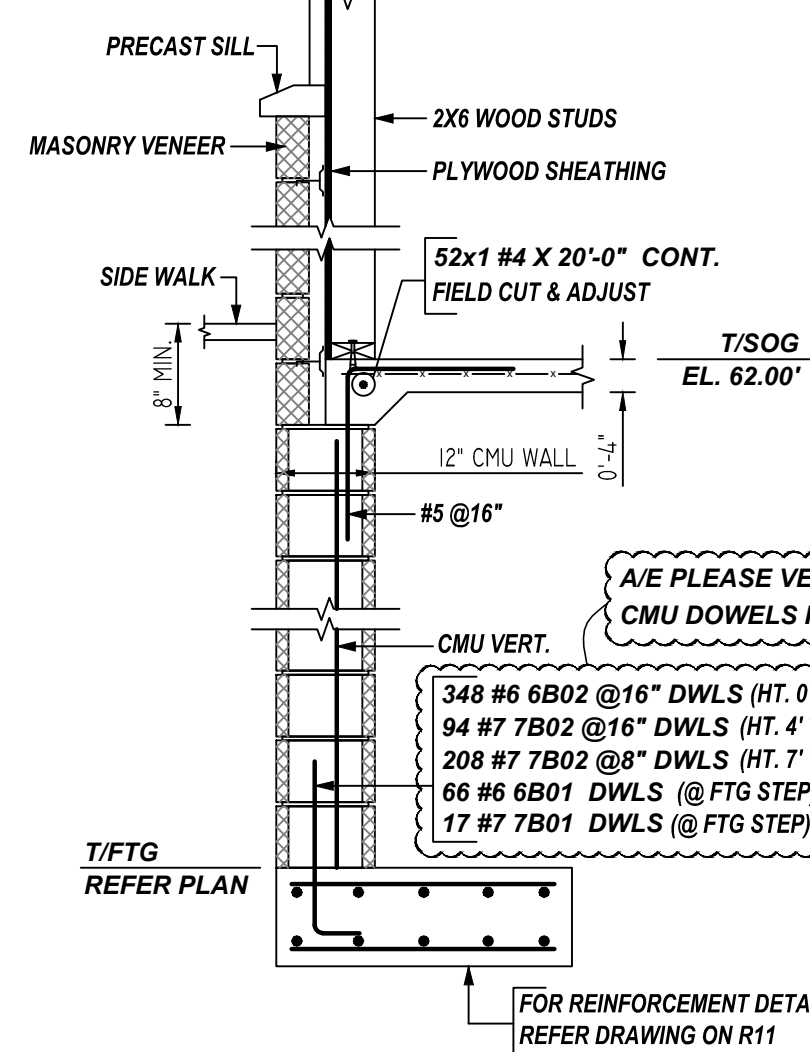
**4 SECTION**  
REF: S2.1.1, S3.0.0 (DT.03/29/22)  
SCALE: 1/2" = 1'-0"



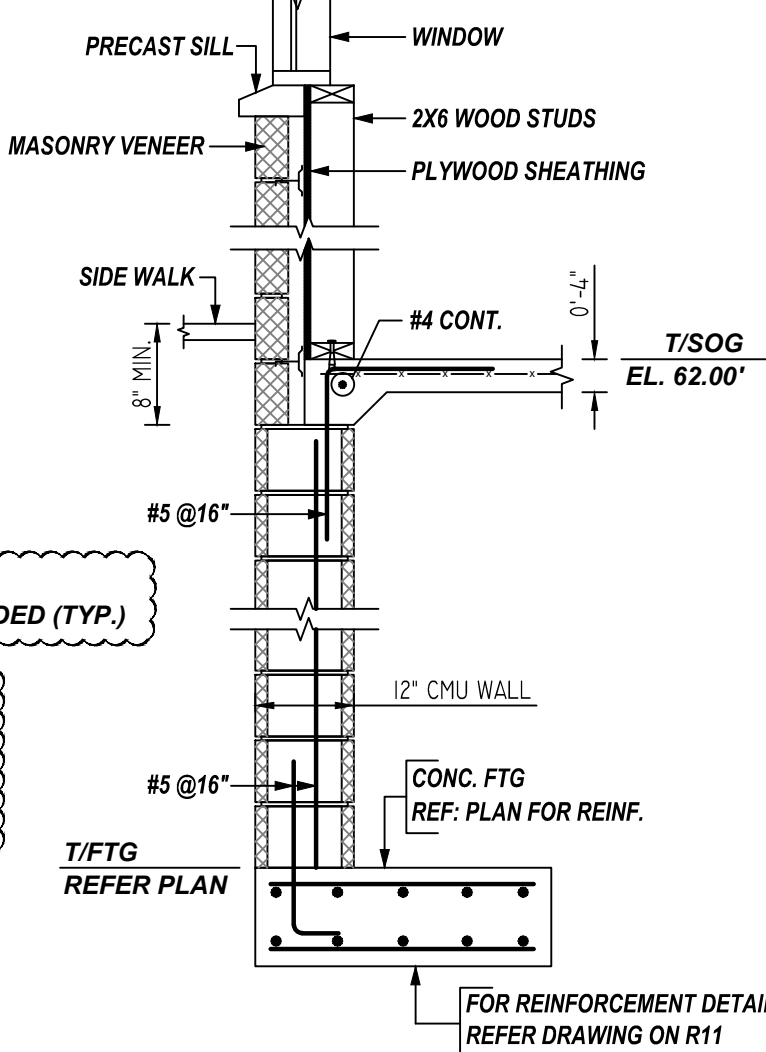
**5 SECTION**  
REF: S2.1.1, S3.0.0 (DT.03/29/22)  
SCALE: 1/2" = 1'-0"



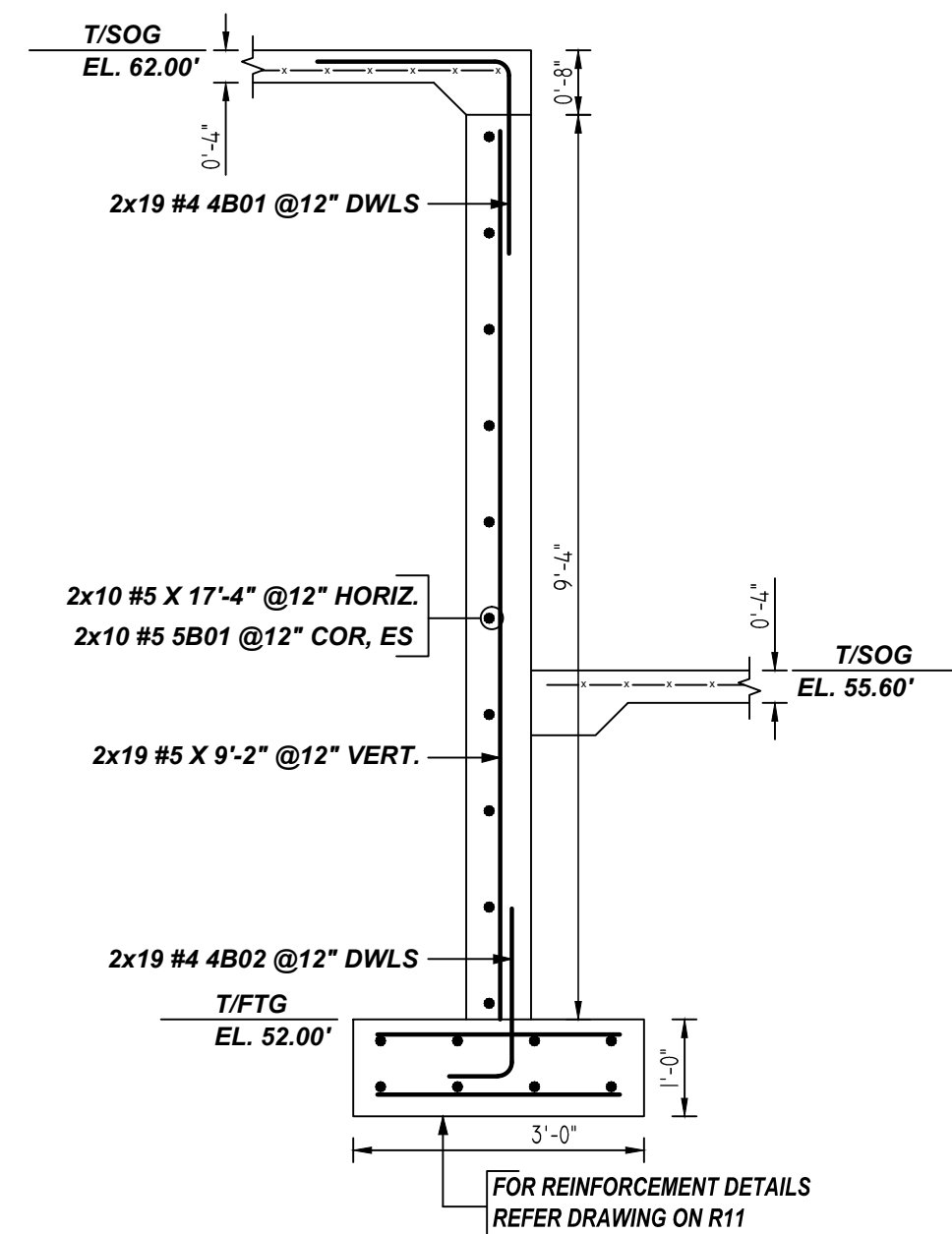
**TYPICAL WALL DETAILS**  
SCALE: 1/2" = 1'-0"



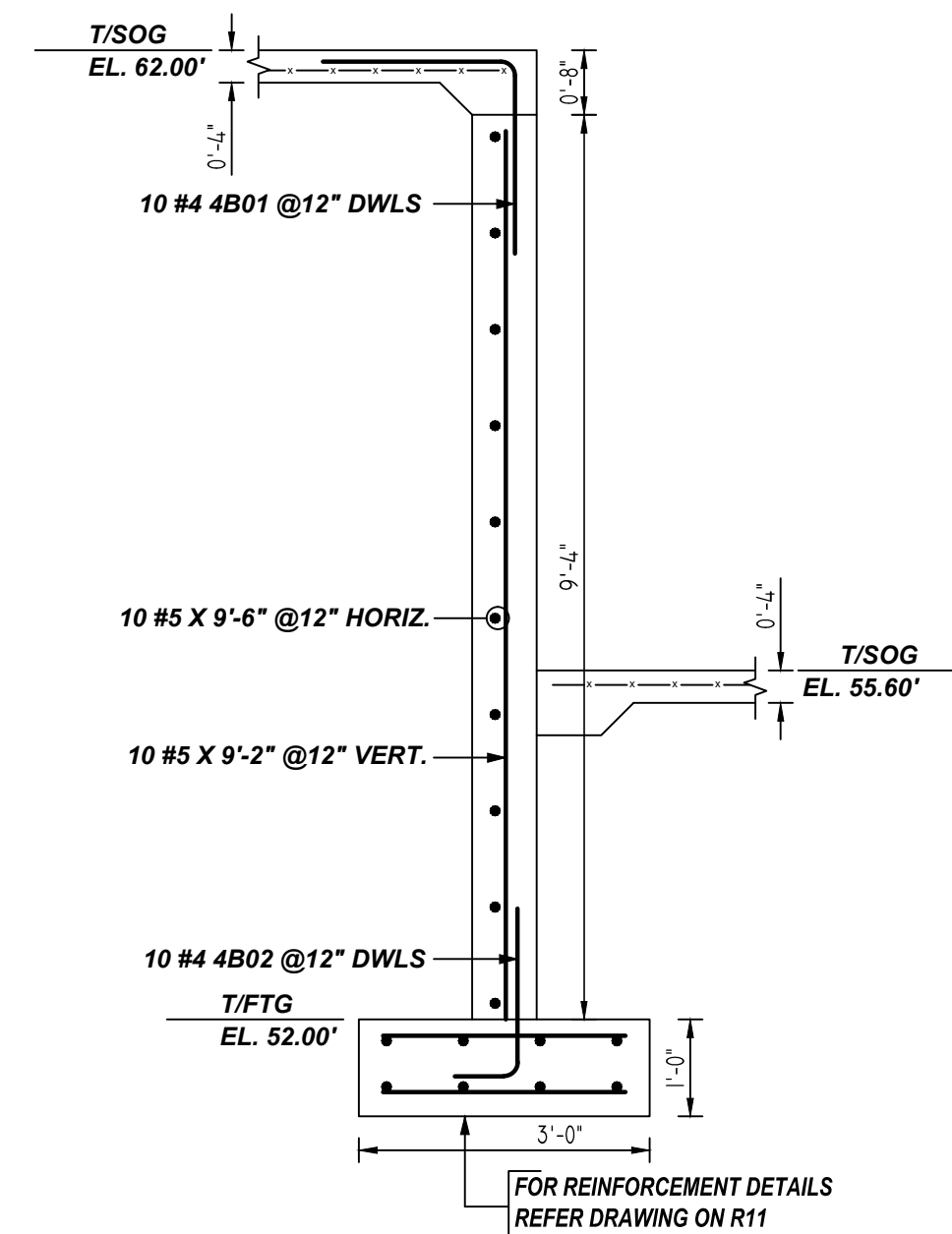
**6 SECTION**  
REF: S2.1.1, S3.0.0 (DT.03/29/22)  
SCALE: 1/2" = 1'-0"



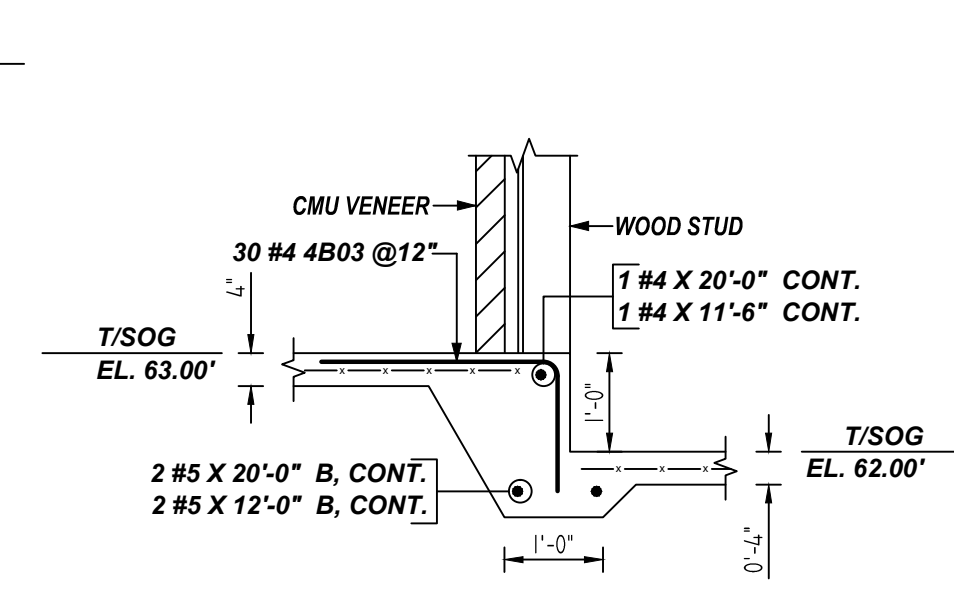
**7 SECTION**  
REF: S2.1.1, S3.0.0 (DT.03/29/22)  
SCALE: 1/2" = 1'-0"



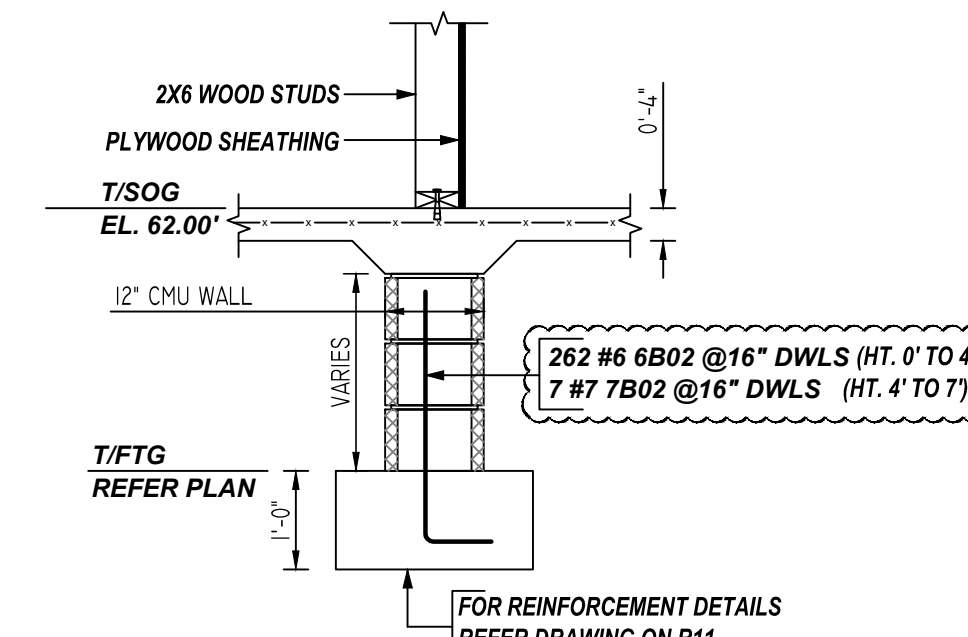
**8 SECTION**  
REF: S2.1.1, S3.0.0 (DT.03/29/22)  
SCALE: 1/2" = 1'-0"  
(@2 LOCATIONS)



**9 SECTION**  
REF: S2.1.1, S3.0.0 (DT.03/29/22)  
SCALE: 1/2" = 1'-0"



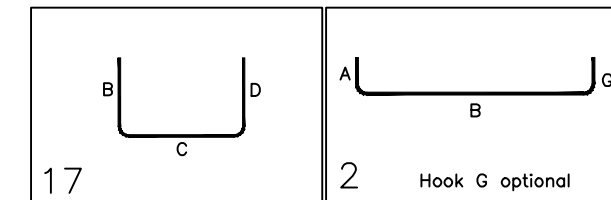
**10 SECTION**  
REF: S2.1.1, R/S3.0.1 (DT.03/29/22)  
SCALE: 1/2" = 1'-0"



**11 SECTION**  
REF: S2.2.1, S3.0.0 (DT.03/29/22)  
SCALE: 1/2" = 1'-0"

**ALL BARS IN THIS DRAWING  
ASTM A615 GRADE 60  
BLACK UNCOATED**

Bar Mark	Qty	Size	Total Length	Type	X	Y	Z	BR LIST
4801	4	#4	4'-0"	17	2'-0"	2'-0"		
4802	4	#4	2'-5"	2	0'-8"	1'-9"		
4803	30	#4	3'-9"	17	2'-5"	1'-4"		
5801	20	#5	6'-2"	17	3'-1"	3'-1"		
6801	66	#6	6'-7"	2	1'-0"	5'-7"		
6802	610	#6	4'-0"	2	1'-0"	3'-0"		
7801	17	#7	7'-4"	2	1'-2"	5'-2"		
7802	309	#7	4'-7"	2	1'-2"	3'-5"		



LOCATION	MIN. COVER
FOOTING BOTTOM & SIDE	3" CLR
FOOTING TOP	2" CLR

MESH DETAILS					
S. NO	ELEMENT	MESH SIZE	SHEETS	AREA	REMARK
1	4" THK SLAB ON GRADE	6x6 - W1.4XW1.4 WWF	193	19982.17 SQ.FT	8'-0" X 15'-0" SHEET SIZE (15% LAP ADDED)

ACCESSORIES DETAILS					
S. NO	ELEMENT	DESCRIPTION	PCS	LFT	REMARK
1	4" THK SOG	2" HT SB @4'-0" C/C	-	5040	FOR MESH SUPPORT (@ BOTTOM)

A/E PLEASE VERIFY LAP SCHEDULE PROVIDED.

**REBAR GRADE 60 ASTM A-615**

**SPLICES USED**

CLASS B 3,000 psi UNO	
TOP BARS	OTHER BARS
#3 28"	#3 22"
#4 37"	#4 29"
#5 47"	#5 36"
#6 56"	#6 43"
#7 81"	#7 63"
#8 93"	#8 72"
#9 105"	#9 81"
#10 118	#10 91"
#11 131"	#11 101"
#14	#14

**ABBREVIATIONS**

ADD. = Additional  
B.O.W. = Bottom of wall  
C.B. = Corner Bars  
DIAG. = Diagonal  
D.O. = Door Opening  
DWLS. = Dowels  
E.F. = Each Face  
E.S. = Each Side  
E.W. = Each Way  
FTG. = Footing  
F.F. = Fair Face  
HORIZ. = Horizontal  
I.F. = Inside Face  
INTERS. = Intersection  
L.W. = long Way  
N.F. = Near Face  
O.F. = Outside Face  
S.W. = Short Way  
T&B = Top & Bottom  
T.O.W. = Top of Wall  
Trans. = Transverse  
VERT. = Vertical

**BAR MARK SIZE EQUIVALENT**

Imperial	Soft Metric
#3	#10
#4	#13
#5	#16
#6	#19
#7	#22
#8	#25
#9	#29
#10	#32
#11	#36

**CANTON OVERLOOK**

BUILDING 2 - FOUNDATION REINFORCEMENT DETAILS  
1617 BROENING HIGHWAY, BALTIMORE MD 21224

CUSTOMER: --

DESIGNER: --

REV NO	DATE	APPROVAL	REV NO	DATE	SENT FOR
0	06.15.21				

DRAWN BY	DATE	JOB NO	SHEET NO.
RTE	06.15.21	--	R13