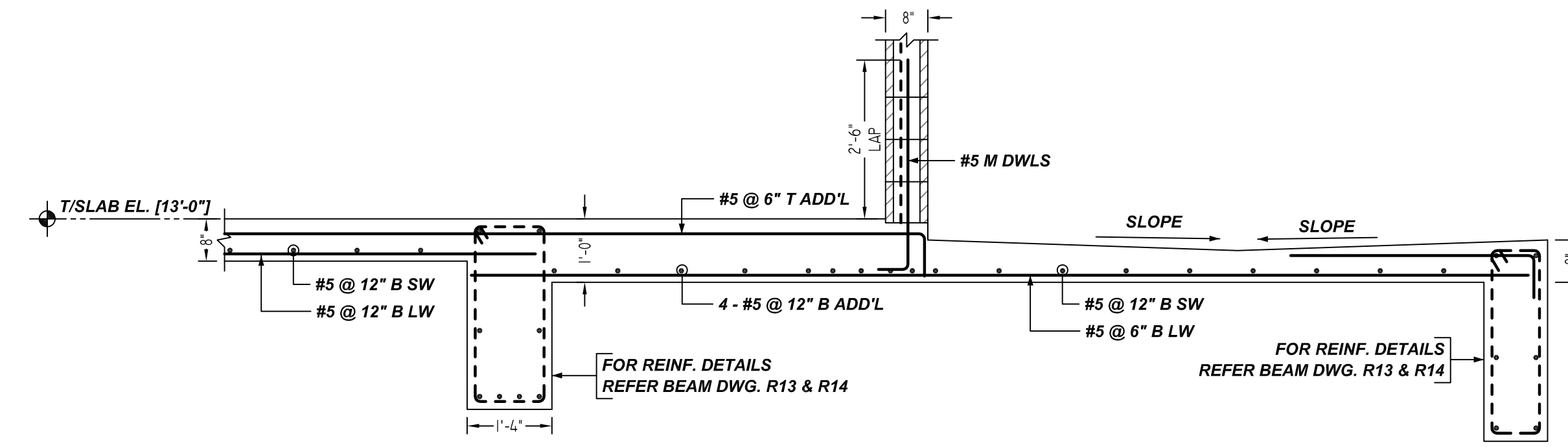
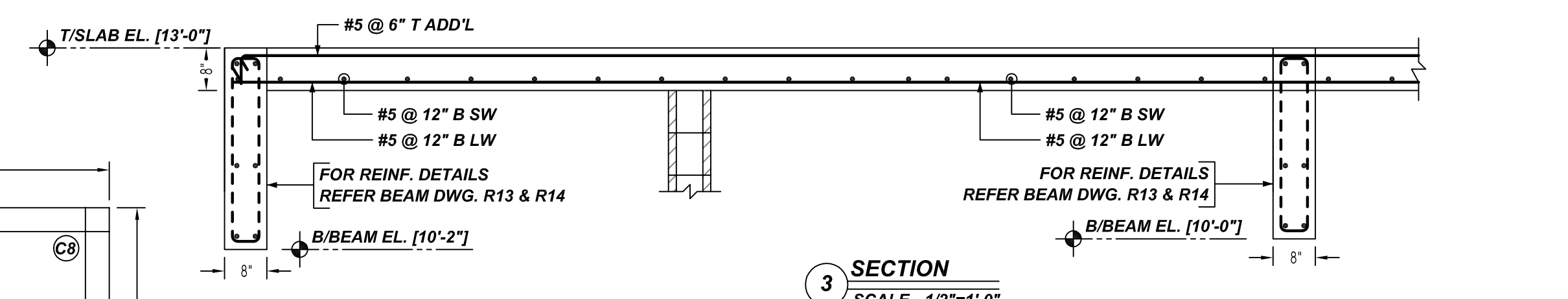


**1 SECTION**  
SCALE - 1/2"=1'-0"  
REF: 2/S3



**2 SECTION**  
SCALE - 1/2"=1'-0"  
REF: 1/S3



**3 SECTION**  
SCALE - 1/2"=1'-0"  
REF: 2/S4

(@ BOTTOM LONG WAY)  
**2ND FLOOR SLAB REINFORCEMENT DETAILS**  
SCALE - 3/16"=1'-0"  
REF: S3

A/E PLEASE VERIFY LAP VALUES (TYP.)

**FOR COLUMN**

SIZE	3000 PSI	
	TOP	OTHERS
#3	28"	22"
#4	37"	29"
#5	47"	36"
#6	56"	43"
#7	81"	63"
#8	93"	72"
#9	105"	81"
#10	118"	91"
#11	131"	101"

**FOR SLAB**

SIZE	5000 PSI	
	TOP	OTHERS
#3	22"	17"
#4	29"	22"
#5	36"	28"
#6	43"	33"
#7	63"	49"
#8	72"	55"
#9	81"	63"
#10	91"	70"
#11	101"	78"

**FOR CMU**

SIZE	48Ø BAR
#3	18"
#4	24"
#5	30"
#6	36"
#7	42"

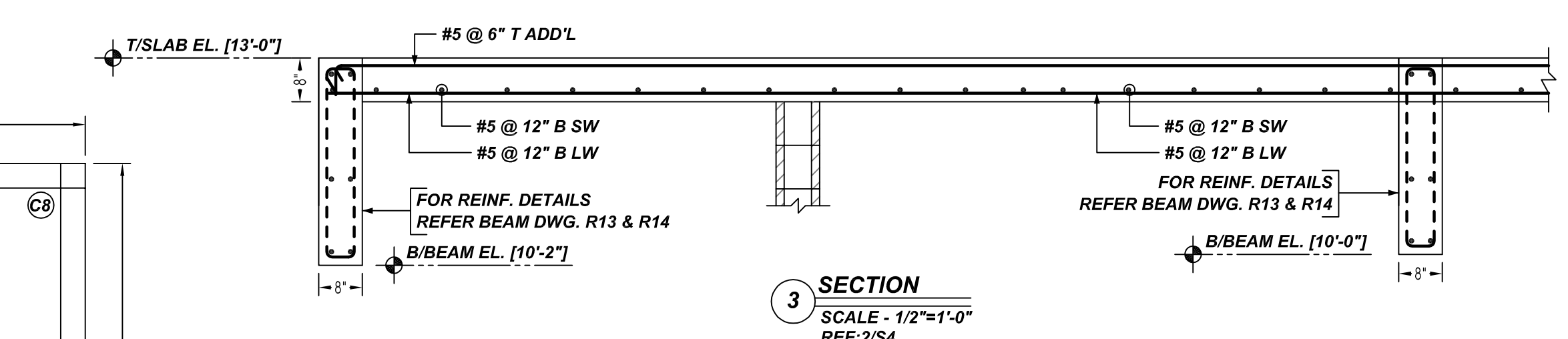
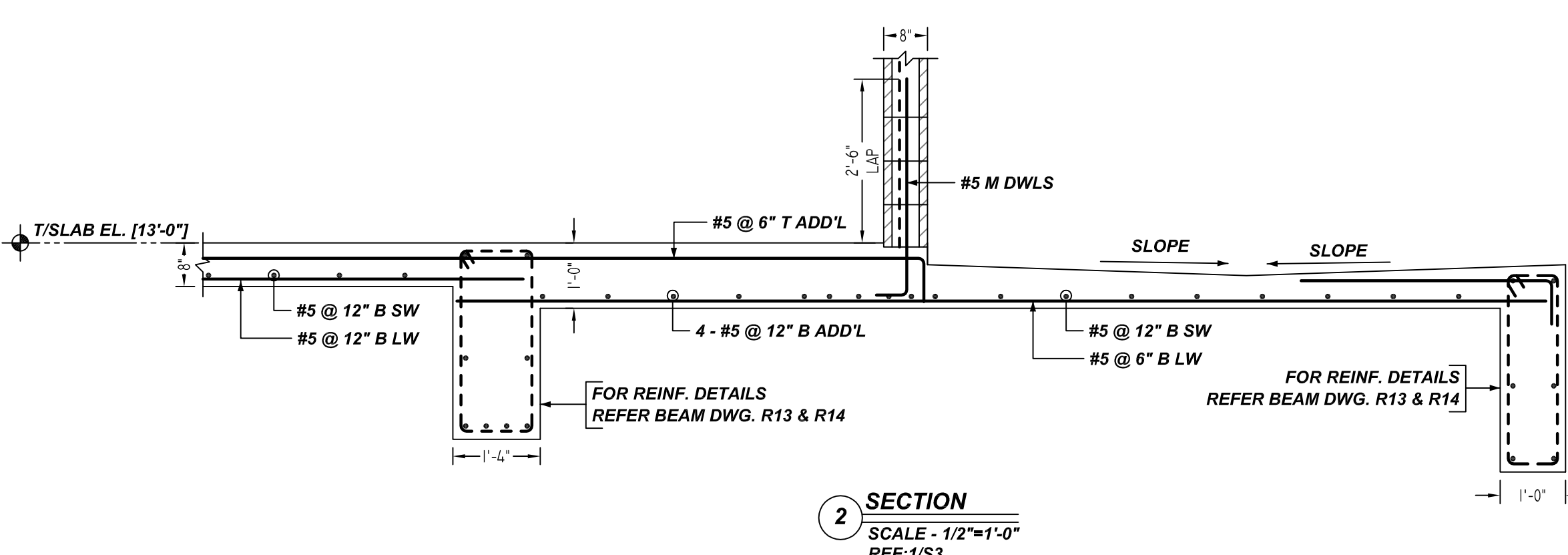
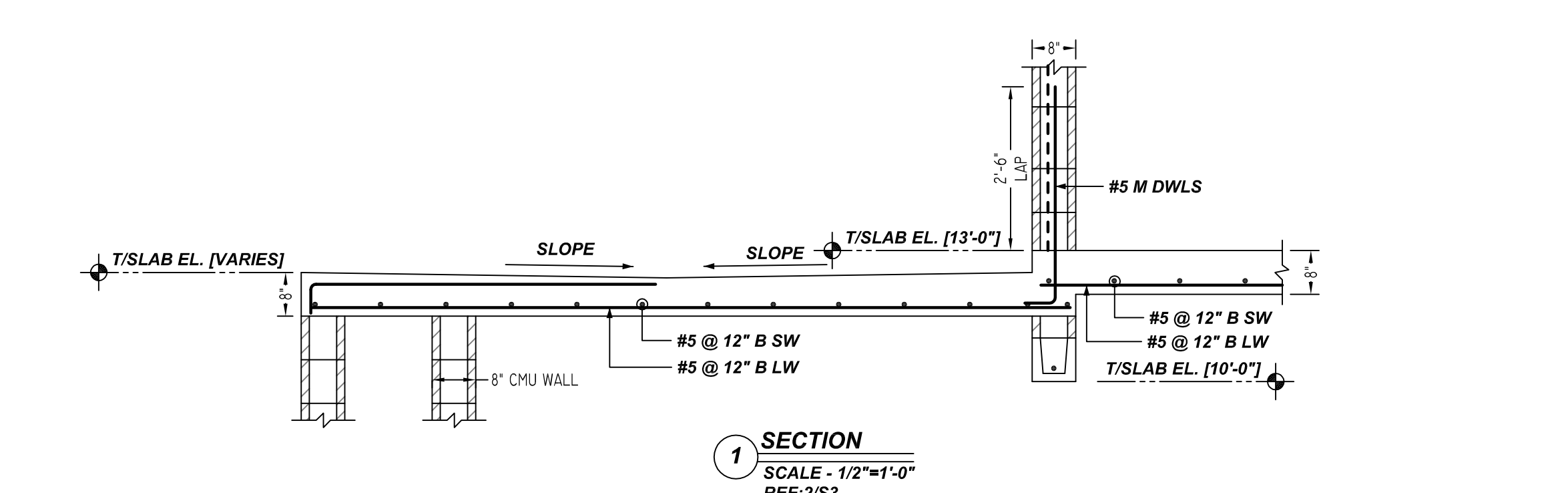
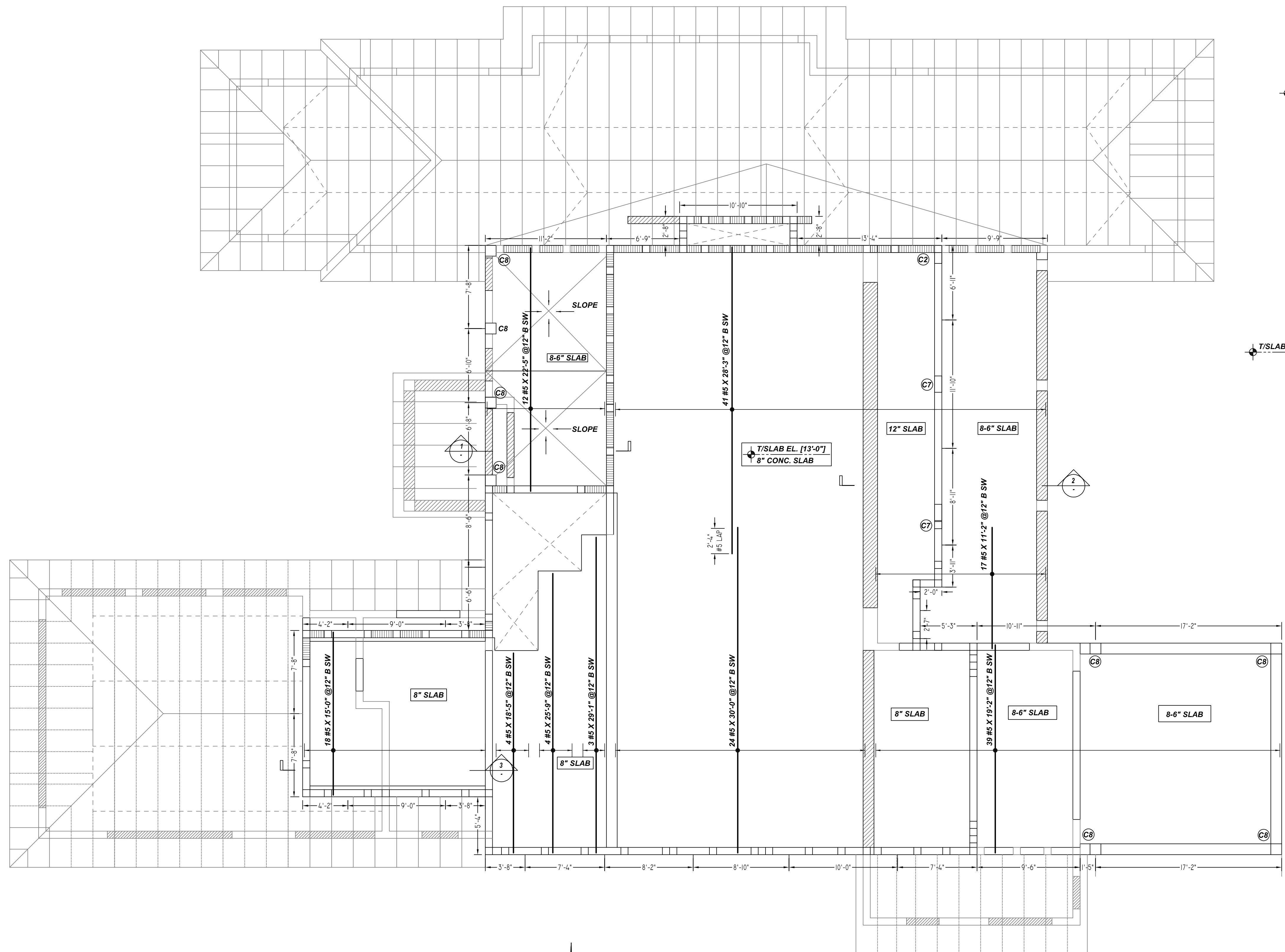
**ALL BARS IN THIS DRAWING  
ASTM A615 GRADE 60  
BLACK UNCOATED**

**TYPICAL REINFORCING BAR CLEARANCE TABLE**

LOCATION	MIN. COVER
SLAB TOP	3/4" CLR
SLAB BOTTOM	2" CLR
SLAB SIDE	2" CLR

A/E PLEASE VERIFY COVER TABLE (TYP.)

GRADE	60 A615	PRINT RECORD	
PREFIX		NO.	TO FOR DATE
BAR LIST NOS.			
MK	REVISION	DATE	
0	FOR APPROVAL	09/06/21	
2ND FLOOR SLAB REINFORCEMENT DETAILS			
CUSTOMER	MALLGRAVE RESIDENCE		
JOB	PALM CITY, FL 34990		
LOCATION	PALM CITY, FL 34990		
DRAWN	DATE	CONTROL CODE	DWG. NO.
IMA/MET	09/06/2021	-	R15



(@ BOTTOM SHORT WAY)  
**2ND FLOOR SLAB REINFORCEMENT DETAILS**  
 SCALE - 3/16"=1'-0"  
 REF: S3

A/E PLEASE VERIFY LAP VALUES (TYP.)

**FOR COLUMN**

SIZE	3000 PSI	
	TOP	OTHERS
#3	28"	22"
#4	37"	29"
#5	47"	36"
#6	56"	43"
#7	81"	63"
#8	93"	72"
#9	105"	81"
#10	118"	91"
#11	131"	101"

**FOR SLAB**

SIZE	5000 PSI	
	TOP	OTHERS
#3	22"	17"
#4	29"	22"
#5	36"	28"
#6	43"	33"
#7	63"	49"
#8	72"	55"
#9	81"	63"
#10	91"	70"
#11	101"	78"

**FOR CMU**

SIZE	48Ø BAR
#3	18"
#4	24"
#5	30"
#6	36"
#7	42"

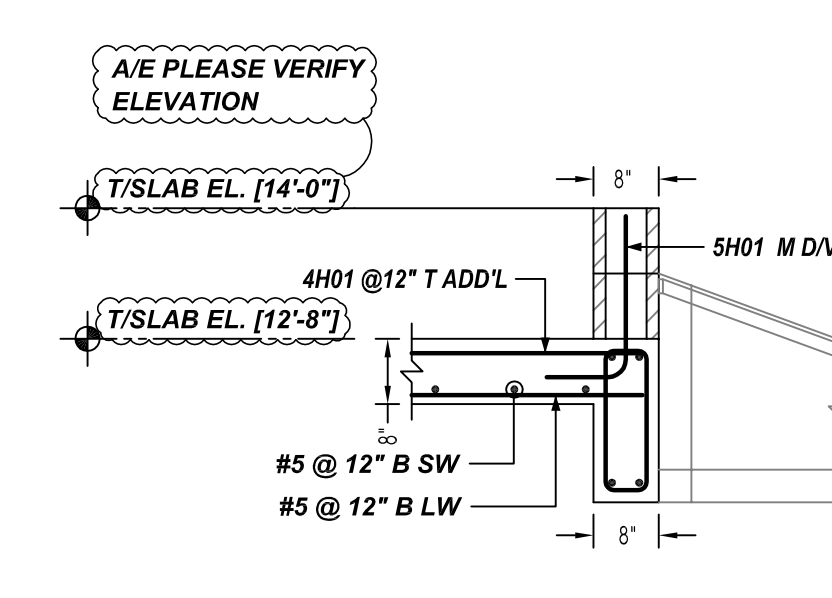
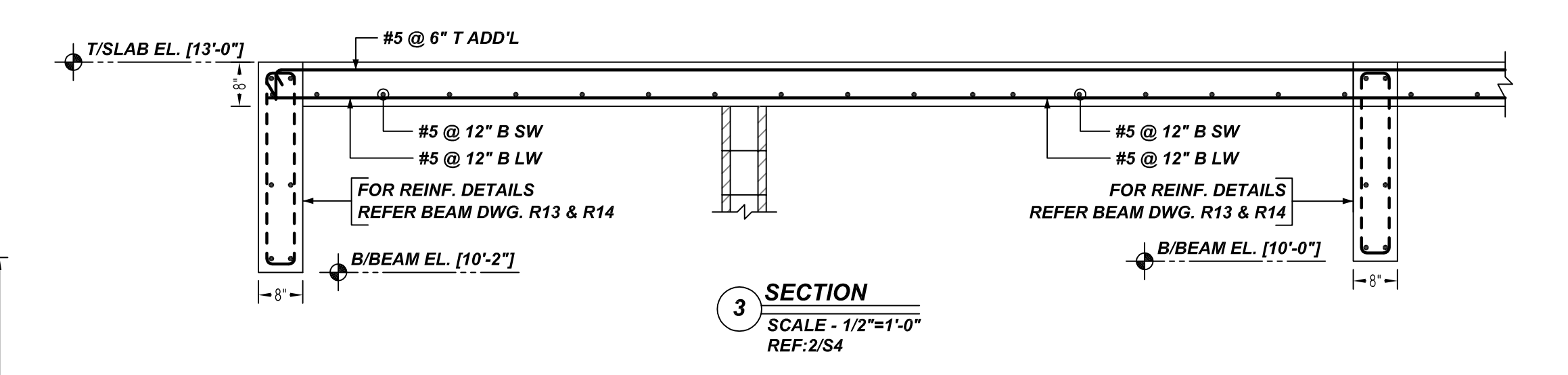
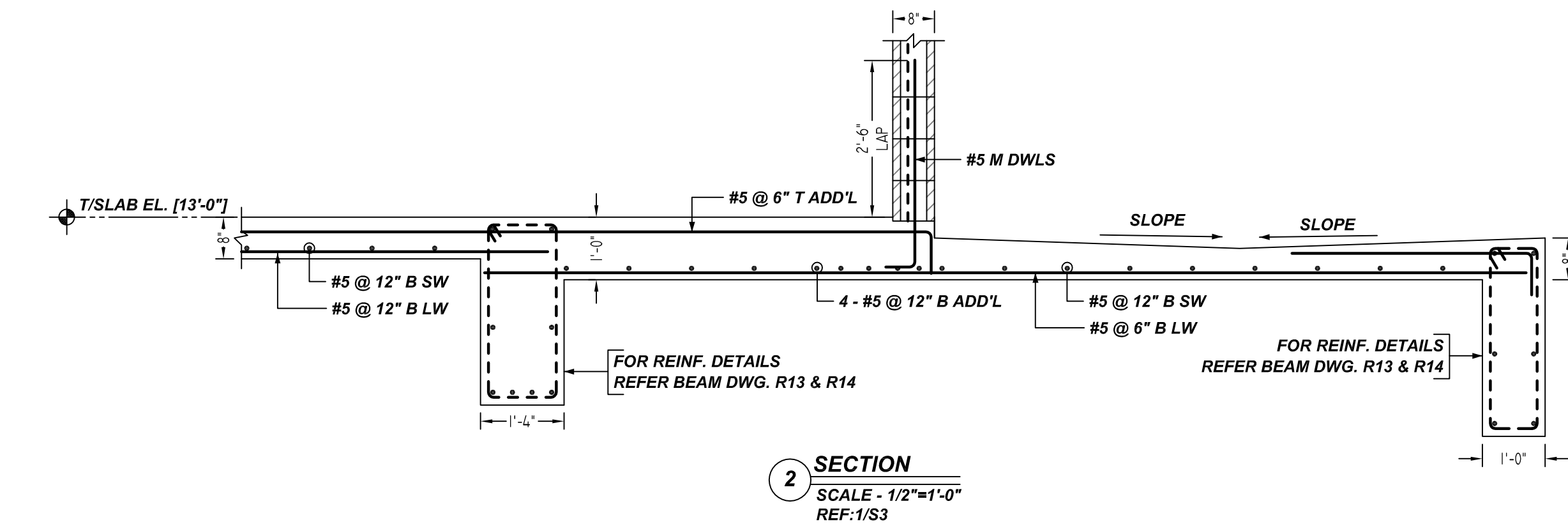
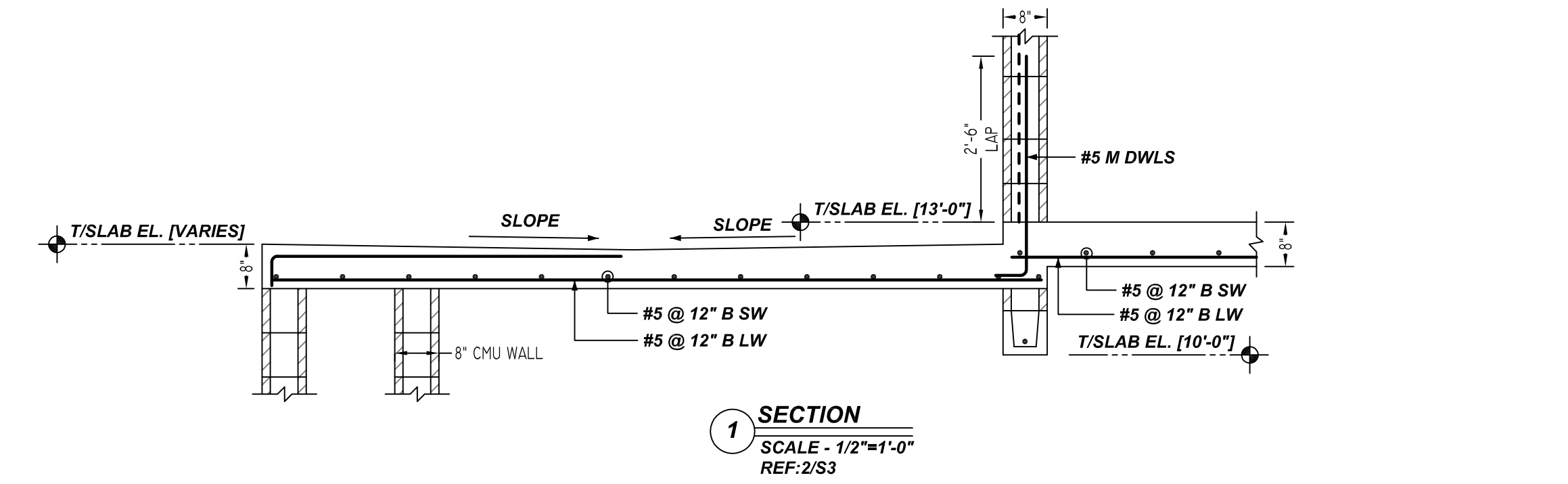
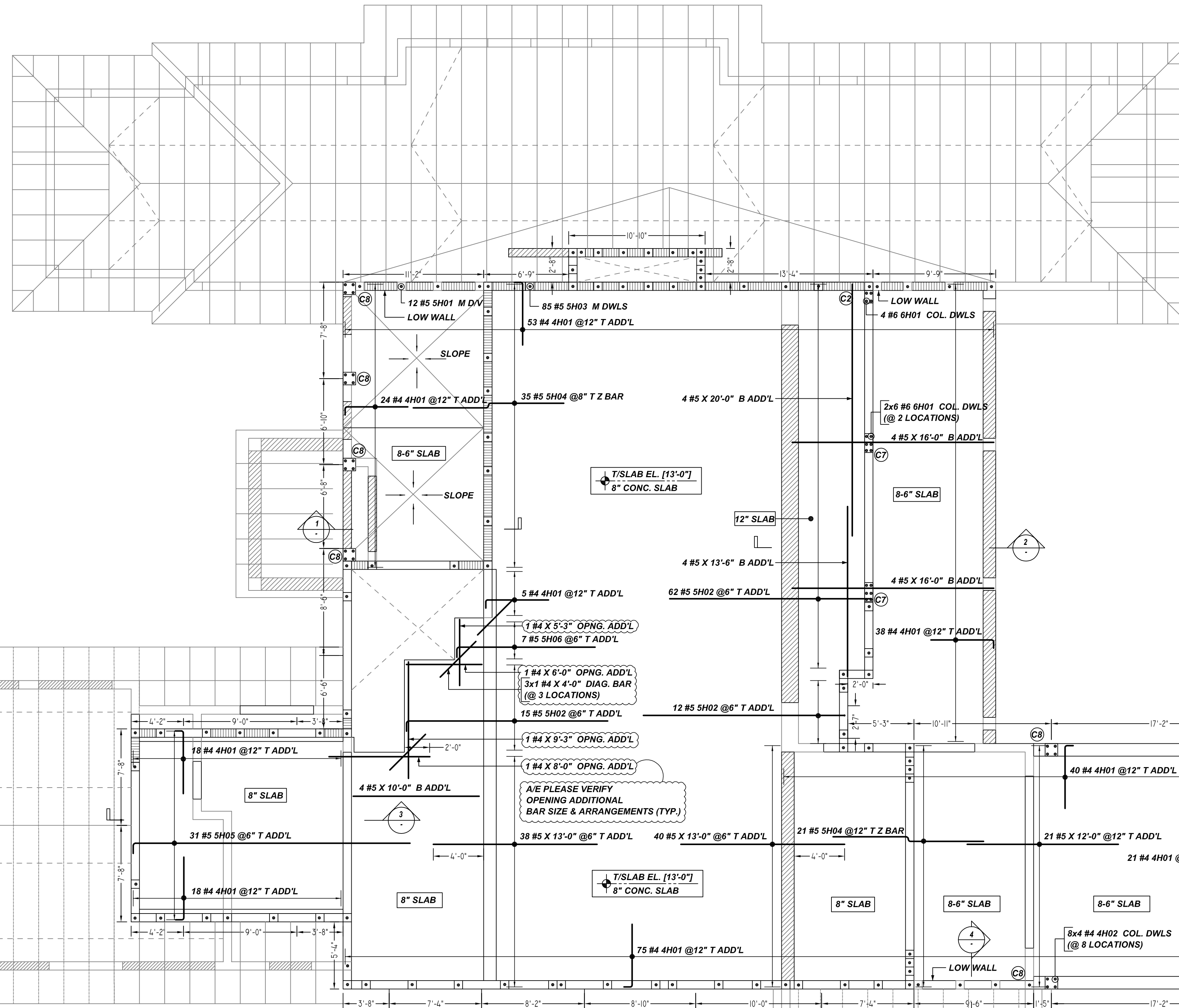
**ALL BARS IN THIS DRAWING  
 ASTM A615 GRADE 60  
 BLACK UNCOATED**

**TYPICAL REINFORCING BAR CLEARANCE TABLE**

LOCATION	MIN. COVER
SLAB TOP	3/4" CLR
SLAB BOTTOM	2" CLR
SLAB SIDE	2" CLR

A/E PLEASE VERIFY COVER TABLE (TYP.)

GRADE	60 A615	PRINT RECORD	
PREFIX		NO.	TO FOR DATE
BAR LIST NOS.			
MK	REVISION	DATE	
0	FOR APPROVAL	09/06/21	
<b>2ND FLOOR SLAB REINFORCEMENT DETAILS</b>			
CUSTOMER	MALLGRAVE RESIDENCE		
JOB	PALM CITY, FL 34990		
LOCATION			
DRAWN	DATE	CONTROL CODE	DWG. NO.
IMA/MET	09/06/2021	-	R16



**2ND FLOOR SLAB REINFORCEMENT DETAILS**  
 SCALE - 3/16\"/>

A/E PLEASE VERIFY LAP VALUES (TYP.)

FOR COLUMN		FOR SLAB		FOR CMU	
LAP SCHEDULE		LAP SCHEDULE		LAP SCHEDULE	
SIZE	3000 PSI	SIZE	5000 PSI	SIZE	48Ø BAR
	TOP OTHERS		TOP OTHERS		
#3	28"	22"	#3	22"	17"
#4	37"	29"	#4	29"	24"
#5	47"	36"	#5	36"	28"
#6	56"	43"	#6	43"	33"
#7	81"	63"	#7	63"	49"
#8	93"	72"	#8	72"	55"
#9	105"	81"	#9	81"	63"
#10	118"	91"	#10	91"	70"
#11	131"	101"	#11	101"	78"

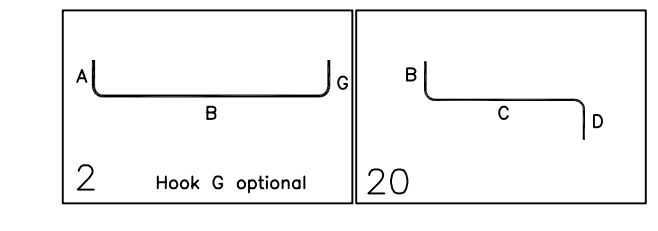
**ALL BARS IN THIS DRAWING  
 ASTM A615 GRADE 60  
 BLACK UNCOATED**

TYPICAL REINFORCING BAR CLEARANCE TABLE

LOCATION	MIN. COVER
SLAB TOP	3/4" CLR
SLAB BOTTOM	2" CLR
SLAB SIDE	2" CLR

Release Number: R17

Bar Mark	Qty	Size	Total Length	Type	X	Y	Z	W	V	U	T	S	R	Q	P	O	N	M	L	K	J	I	H	G	F	E	D	C	B	A	
4H01	230	#4	5'-4"	2	0'-8"	5'-0"																									
4H02	30	#4	5'-4"	2	0'-8"	3'-0"																									
5H01	12	#5	2'-4"	2	0'-10"	1'-8"																									
5H02	88	#5	16'-10"	2	0'-10"	16'-0"																									
5H03	85	#5	4'-1"	2	0'-10"	3'-3"																									
5H04	56	#5	12'-5"	20	6'-0"	0'-5"	6'-0"																								
5H05	31	#5	22'-10"	2	0'-10"	22'-0"																									
5H06	7	#5	11'-10"	2	0'-10"	11'-0"																									
8H01	16	#6	5'-3"	2	1'-0"	4'-3"																									



GRADE	60 A615	PRINT RECORD	
PREFIX		NO.	TO FOR DATE
BAR LIST NOS.			
MK	REVISION	DATE	
0	FOR APPROVAL	09/06/21	
2ND FLOOR SLAB REINFORCEMENT DETAILS			
CUSTOMER	MALLGRAVE RESIDENCE		
JOB	PALM CITY, FL 34990		
LOCATION			
DRAWN	DATE	CONTROL CODE	DWG. NO.
IMA/MET	09/06/2021	-	R17