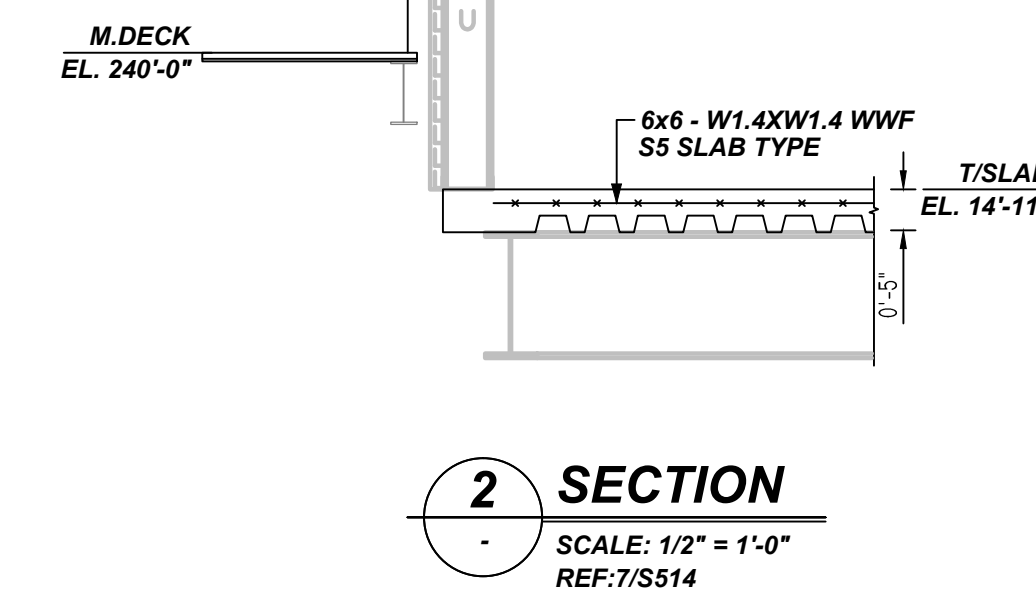
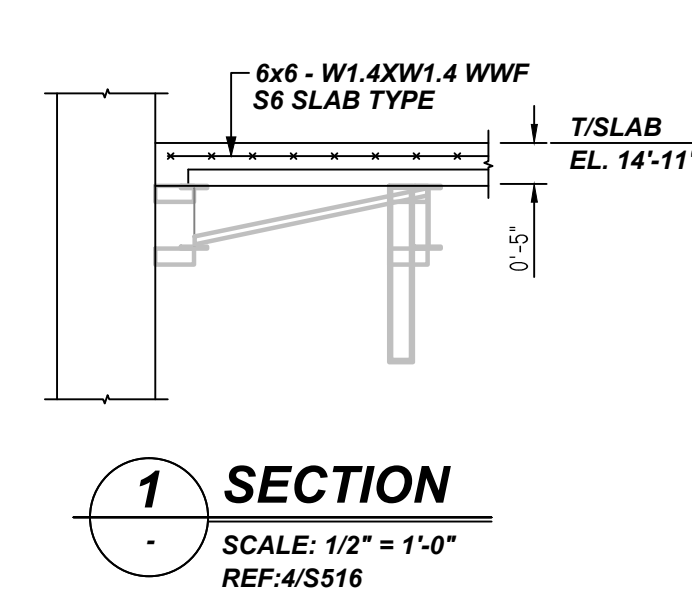
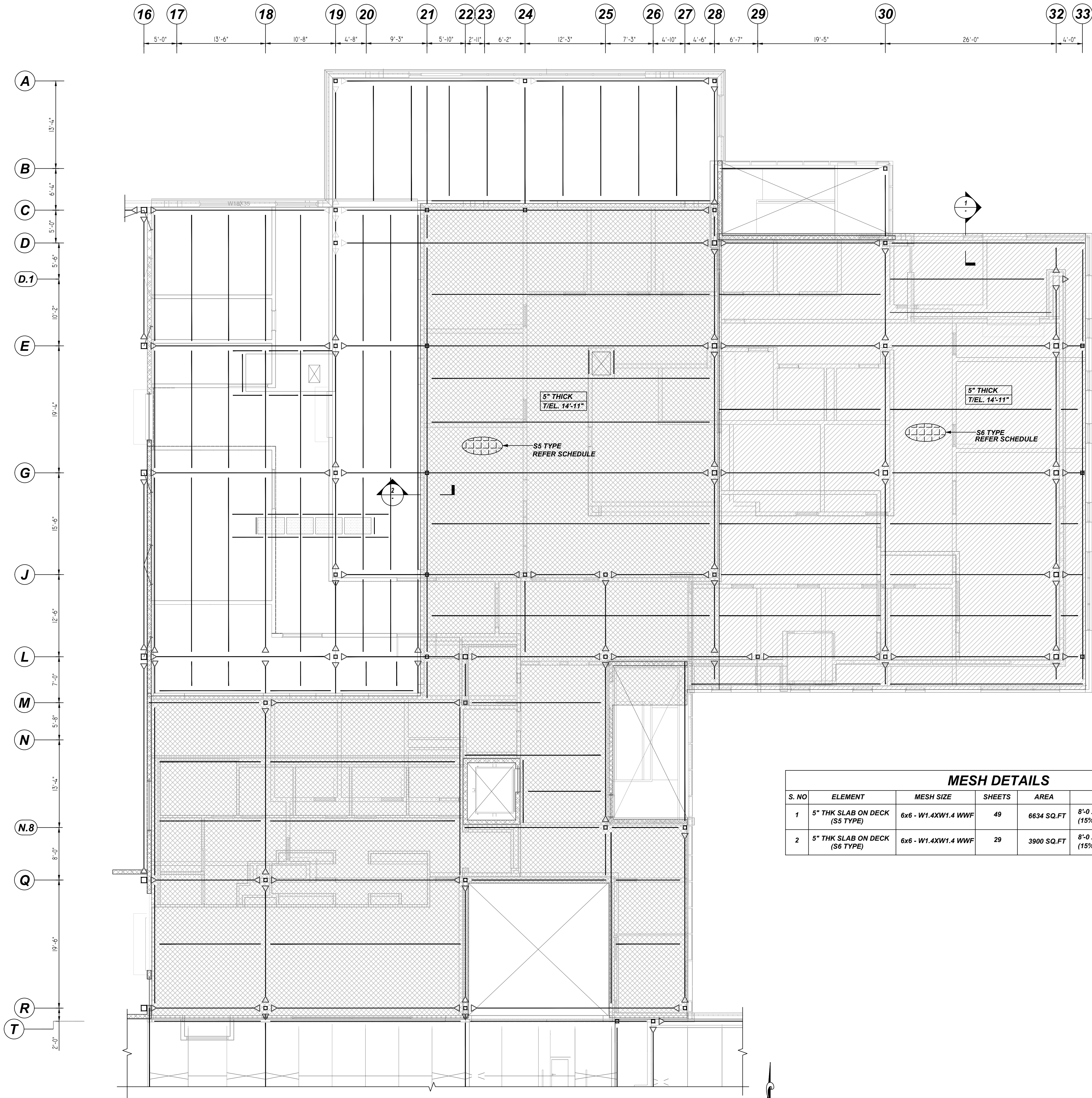


NOTICE
 SHORTAGES, IMPROPER FABRICATION OR CLAIMS FOR ANY OTHER REASON MUST BE REPORTED TO THIS COMPANY WITHIN 10 DAYS FROM ORIGINAL DELIVERY. THIS COMPANY ALSO RESERVES THE RIGHT TO FIELD INSPECT MATERIALS PRIOR TO REPLACEMENT OR RECONDITIONING OF MATERIALS AND WILL NOT BE LIABLE FOR CHARGES FROM WORK DONE IN THE FIELD WITHOUT PRIOR AUTHORIZATION FROM THIS COMPANY.

REINFORCING STEEL PLACING DRAWING ONLY. USE IN CONJUNCTION WITH CONTRACT DRAWINGS & SPECIFICATIONS. ELEVATIONS & DIMENSIONS SHOWN ON DRAWING ARE FOR DETAILING PURPOSES ONLY AND SHOULD NOT BE USED FOR CONSTRUCTION UNLESS VERIFIED BY ENGINEER OR CONTRACTOR.



MESH DETAILS					
S. NO	ELEMENT	MESH SIZE	SHEETS	AREA	REMARK
1	5" THK SLAB ON DECK (S5 TYPE)	6x6 - W1.4XW1.4 WWF	49	6634 SQ.FT	8'-0" X 15'-0" SHEET SIZE (15% LAP ADDED)
2	5" THK SLAB ON DECK (S6 TYPE)	6x6 - W1.4XW1.4 WWF	29	3900 SQ.FT	8'-0" X 15'-0" SHEET SIZE (15% LAP ADDED)

REBAR GRADE 60 ASTM A-615 SPLICES USED						
CLASS B 4,000 psi UNO			ABBREVIATIONS		BAR MARK SIZE EQUIVALENT	
TOP BARS	OTHER BARS		ADD.	Imperial	Soft Metric	
#3 24"	#3 19"		B.O.W. = Bottom of wall	#3	#10	
#4 32"	#4 25"		C.B. = Corner Bars	#4	#13	
#5 40"	#5 31"		DIAG. = Diagonal	#5	#16	
#6 48"	#6 37"		D.O. = Door Opening	#6	#19	
#7 70"	#7 54"		DWLS. = Dowels	#7	#22	
#8 80"	#8 62"		E.F. = Each Face	#8	#25	
#9 91"	#9 70"		E.S. = Each Side	#9	#29	
#10 102"	#10 79"		E.W. = Each Way	#10	#32	
#11 113"	#11 87"		FTG. = Footing	#11	#36	
#14	#14		F.F. = Far Face			
			HORIZ. = Horizontal			
			I.F. = Inside Face			
			INTERS. = Intersection			
			L.W. = Long Way			
			N.F. = Near Face			
			O.F. = Outside Face			
			S.W. = Short Way			
			T&B = Top & Bottom			
			T.O.W. = Top of Wall			
			Trans. = Transverse			
			VERT. = Vertical			

SECOND FLOOR DECK SLAB REINFORCEMENT DETAILS
 REF: S102B (DT.04/14/22)
 SCALE: 1/8" = 1'-0"

FOOD BANK
 SECOND FLOOR DECK SLAB REINFORCEMENT DETAILS
 MILFORD, DE

CUSTOMER: -		DESIGNER: -	
DRAWN BY	DATE	JOB NO	SHEET NO.
SS	05.23.22	-	R16

REV NO	DATE	SENT FOR	REV NO	DATE	SENT FOR
0	05.23.22	APPROVAL			