

BUILDING-A PANEL KEYPLAN
 REF:SA111 (DT.02/07/22)
 SCALE: 1/16" = 1'-0"

TYPICAL REINFORCING BAR CLEARANCE TABLE	
LOCATION	MIN. COVER
PANEL	1 1/2" CLR

**ALL BARS IN THIS DRAWING
 ASTM A615 GRADE 60
 BLACK UNCOATED**

FOR APPROVAL

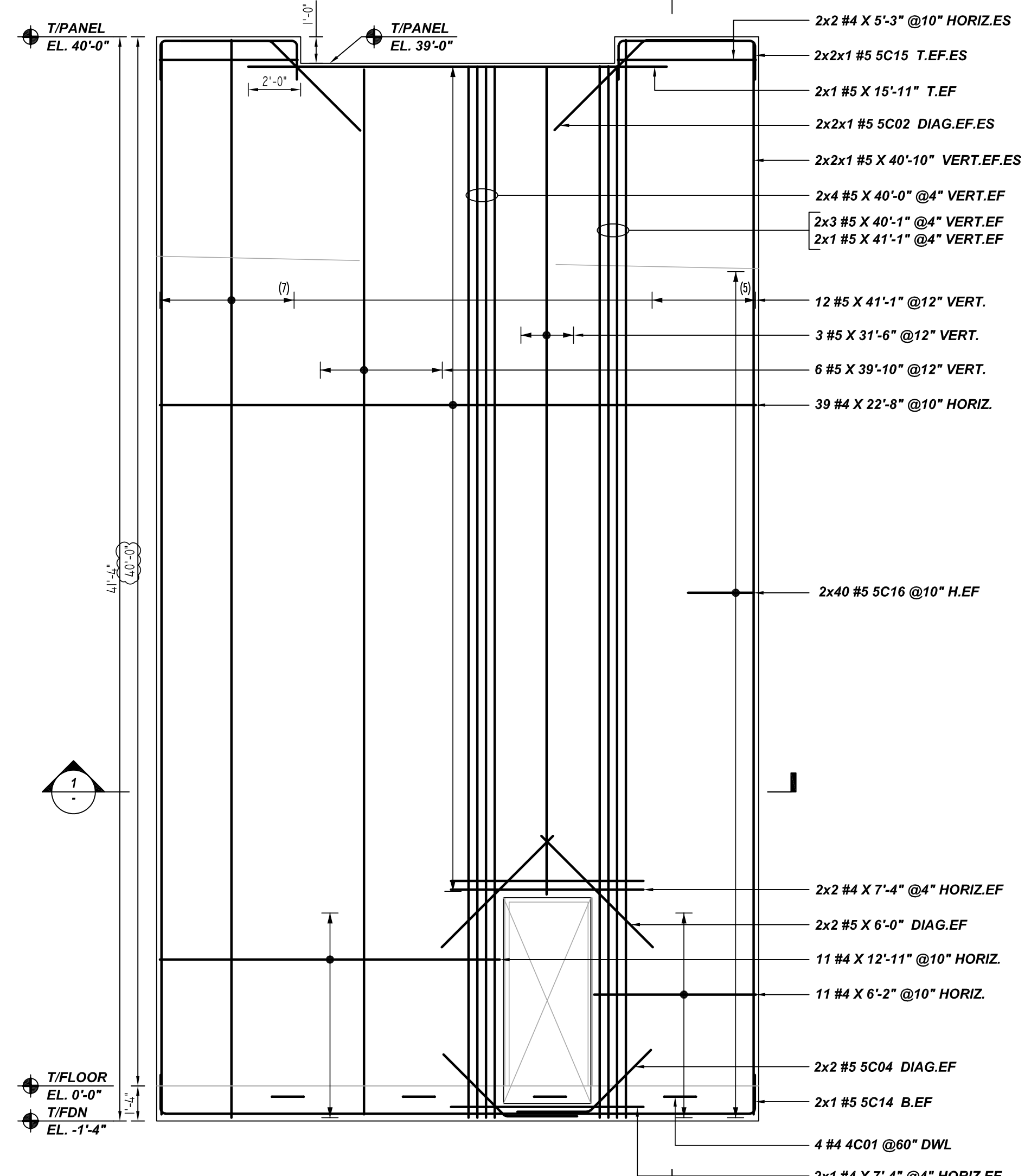
LAP SCHEDULE

4000 PSI (CLASS-B) CASE - 1
 Per SS.01/3

BAR#	LENGTHS	
	TOP	OTHERS
#3	24"	19"
#4	33"	25"
#5	41"	31"
#6	49"	37"
#7	71"	54"
#8	81"	62"
#9	91"	70"
#10	102"	79"
#11	113"	87"

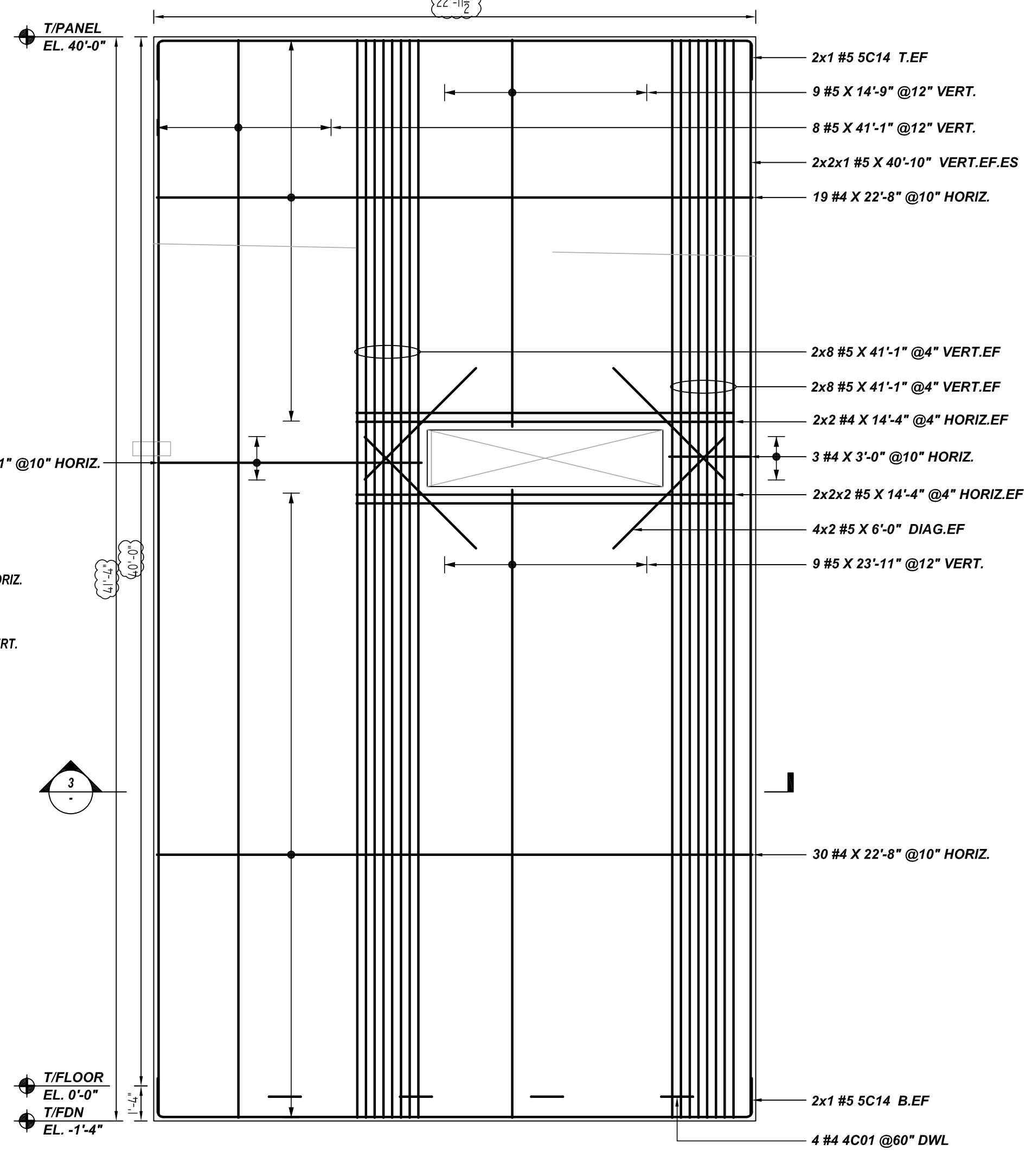
ALL TOP BARS ARE DEFINED AS
 HORIZ BARS WITH MORE THAN
 12" OF CONCRETE BELOW BARS.

GRADE	A615/60(UNO)			STRUCTURE	BUILDING-A PANEL REINFORCEMENT DETAILS
PREFIX	C				
BAR LIST NOS.				JOB NO.	-
REV	DESCRIPTION	ISSUED DATE	ISSUED FOR	CUSTOMER	-
0	IFA	09/20/2022	APPROVAL	JOB	ELLIOT_GATEWAY TECH CENTER
				LOCATION	10650 E.ELLIOT ROAD.
				DRAWN	MRS
				DATE	09/20/2022
				CONTROL CODE	-
				DWG. NO.	R16



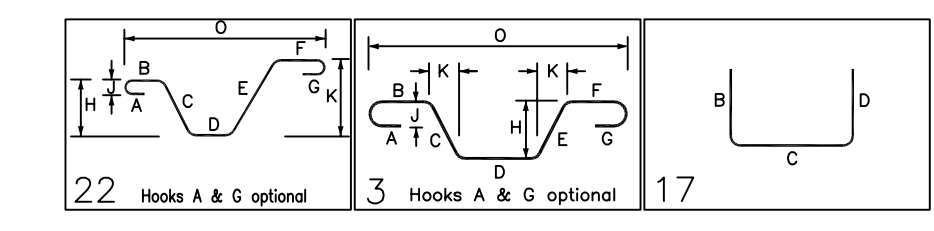
PANEL-A21
 REF:TYPE 2/S303 (DT.02/07/22)
 REF:SA111, SA301 (DT.02/07/22)
 SCALE: 1/4" = 1'-0"

A/E PLEASE VERIFY STOCK LENGTH EXCEED 40'-0" PLEASE CONFIRM (TYP.)

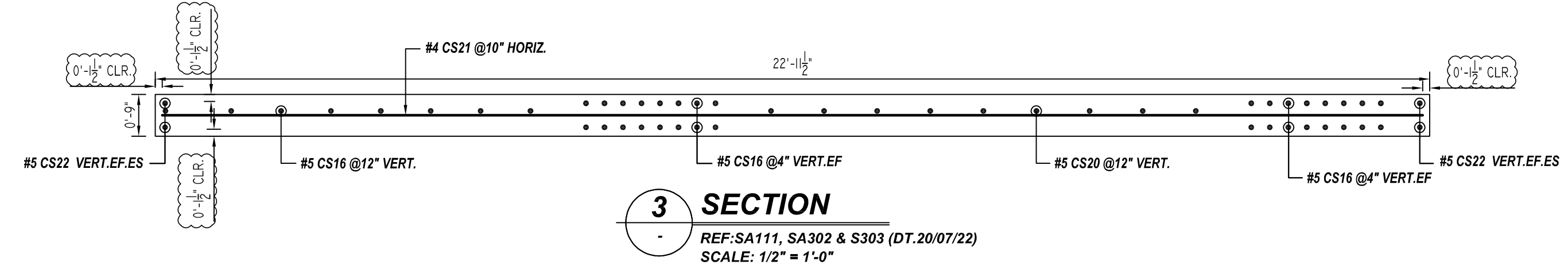
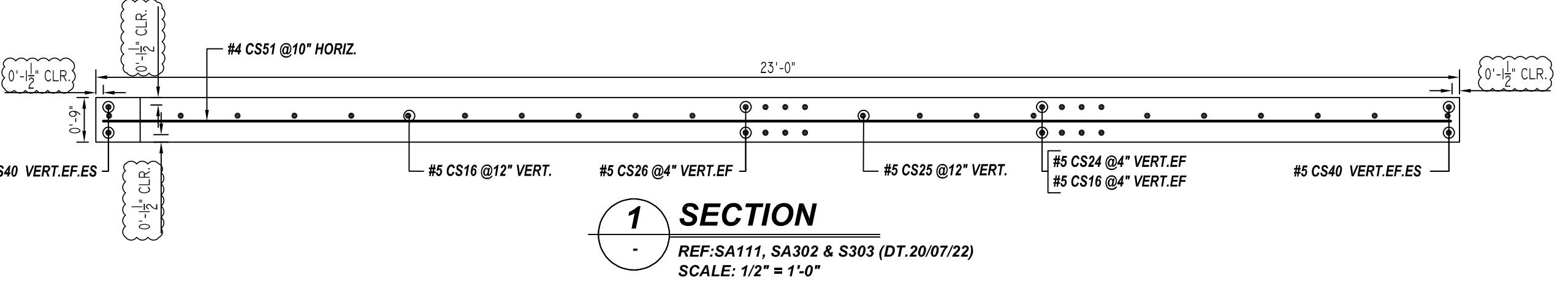
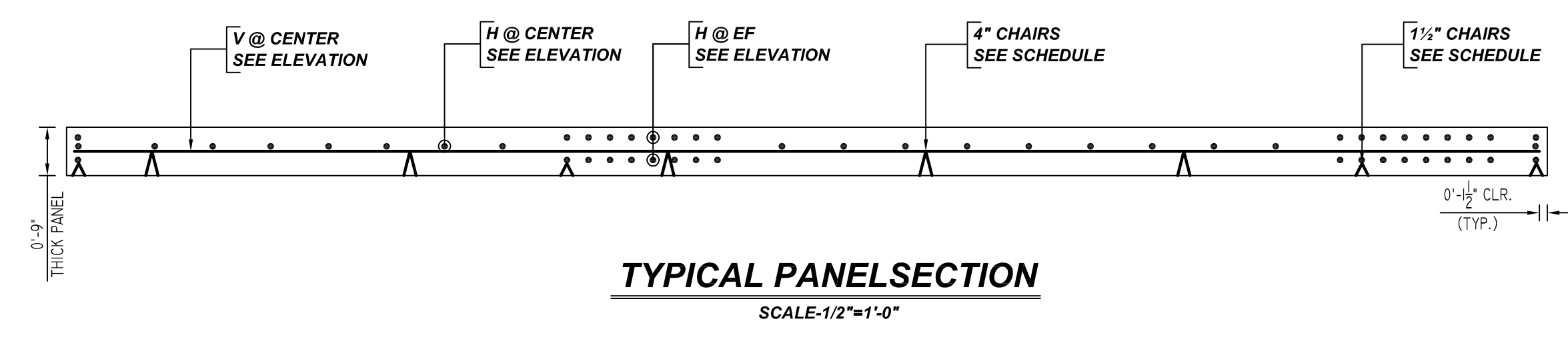


PANEL-A22
 REF:TYPE 8/S304 (DT.02/07/22)
 REF:SA111, SA301 (DT.02/07/22)
 SCALE: 1/4" = 1'-0"

Bar Mark	Qty	Size	Total Length	Type	X	Y	Z	BAR LIST				
4021	8	#4	5'-0 X	22	0'-8 X	1'-4	1'-0	1'-4	0'-8 X	1'-3	1'-3	3'-3 X
5022	4	#5	8'-3	3	3'-5	4'-10				3'-4 X	6'-9 X	
5024	4	#5	6'-0 X	3	3'-4	2'-8 X				1'-11 X	1'-10 X	5'-2 X
5C14	6	#5	25'-8 X	17	1'-6	22'-8 X	1'-6					
5C15	4	#5	8'-3	17	1'-6	5'-3	1'-6					
5C16	8	#5	2'-6	3	0'-6	2'-0				0'-3 X	1'-11 X	2'-5 X



ACCESSORIES SCHEDULE						
S.NO	ELEMENT	DESCRIPTION	HEIGHT	QTY	LFT	REMARK
1	PANEL-A21 9" THICK PANEL	1 1/2" CHAIRS @4'-0" C/C	1 1/2"	49	-	CHAIR TO BOTTOM SUPPORT
		4" CHAIRS @4'-0" C/C	4"	66	-	CHAIR TO MID SUPPORT
2	PANEL-A22 9" THICK PANEL	1 1/2" CHAIRS @4'-0" C/C	1 1/2"	48	-	CHAIR TO BOTTOM SUPPORT
		4" CHAIRS @4'-0" C/C	4"	66	-	CHAIR TO MID SUPPORT
3	PANEL-A23 9" THICK PANEL	1 1/2" CHAIRS @4'-0" C/C	1 1/2"	57	-	CHAIR TO BOTTOM SUPPORT
		4" CHAIRS @4'-0" C/C	4"	66	-	CHAIR TO MID SUPPORT
4	PANEL-A24 9" THICK PANEL	1 1/2" CHAIRS @4'-0" C/C	1 1/2"	30	-	CHAIR TO BOTTOM SUPPORT
		4" CHAIRS @4'-0" C/C	4"	66	-	CHAIR TO MID SUPPORT
5	PANEL-A25 9" THICK PANEL	1 1/2" CHAIRS @4'-0" C/C	1 1/2"	41	-	CHAIR TO BOTTOM SUPPORT
		4" CHAIRS @4'-0" C/C	4"	77	-	CHAIR TO MID SUPPORT
6	PANEL-A26 9" THICK PANEL	1 1/2" CHAIRS @4'-0" C/C	1 1/2"	22	-	CHAIR TO BOTTOM SUPPORT
		4" CHAIRS @4'-0" C/C	4"	22	-	CHAIR TO MID SUPPORT
7	PANEL-A27 9" THICK PANEL	1 1/2" CHAIRS @4'-0" C/C	1 1/2"	29	-	CHAIR TO BOTTOM SUPPORT
		4" CHAIRS @4'-0" C/C	4"	39	-	CHAIR TO MID SUPPORT



LAP SCHEDULE

4000 PSI (CLASS-B) CASE - 1
 Per S5.01/3

BAR#	LENGTHS	
	TOP	OTHERS
#3	24"	19"
#4	33"	25"
#5	41"	31"
#6	49"	37"
#7	71"	54"
#8	81"	62"
#9	91"	70"
#10	102"	79"
#11	113"	87"

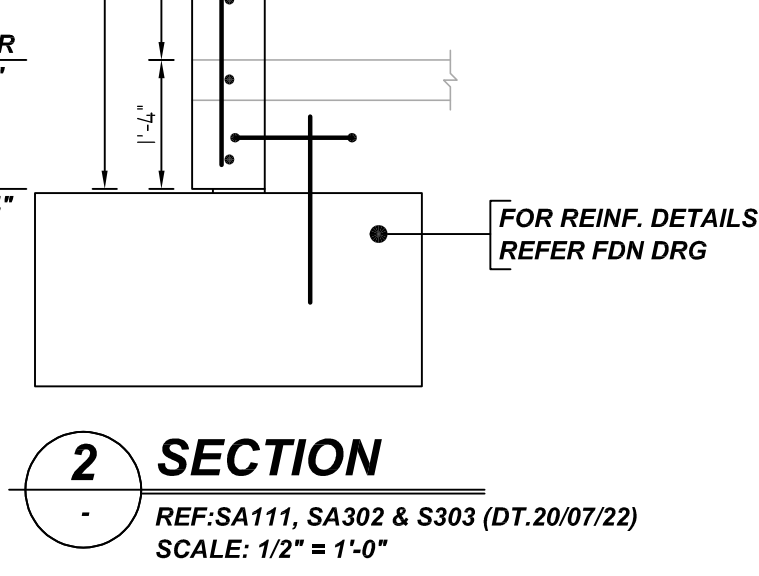
ALL TOP BARS ARE DEFINED AS HORIZONTAL BARS WITH MORE THAN 12" OF CONCRETE BELOW BARS.

FOR APPROVAL

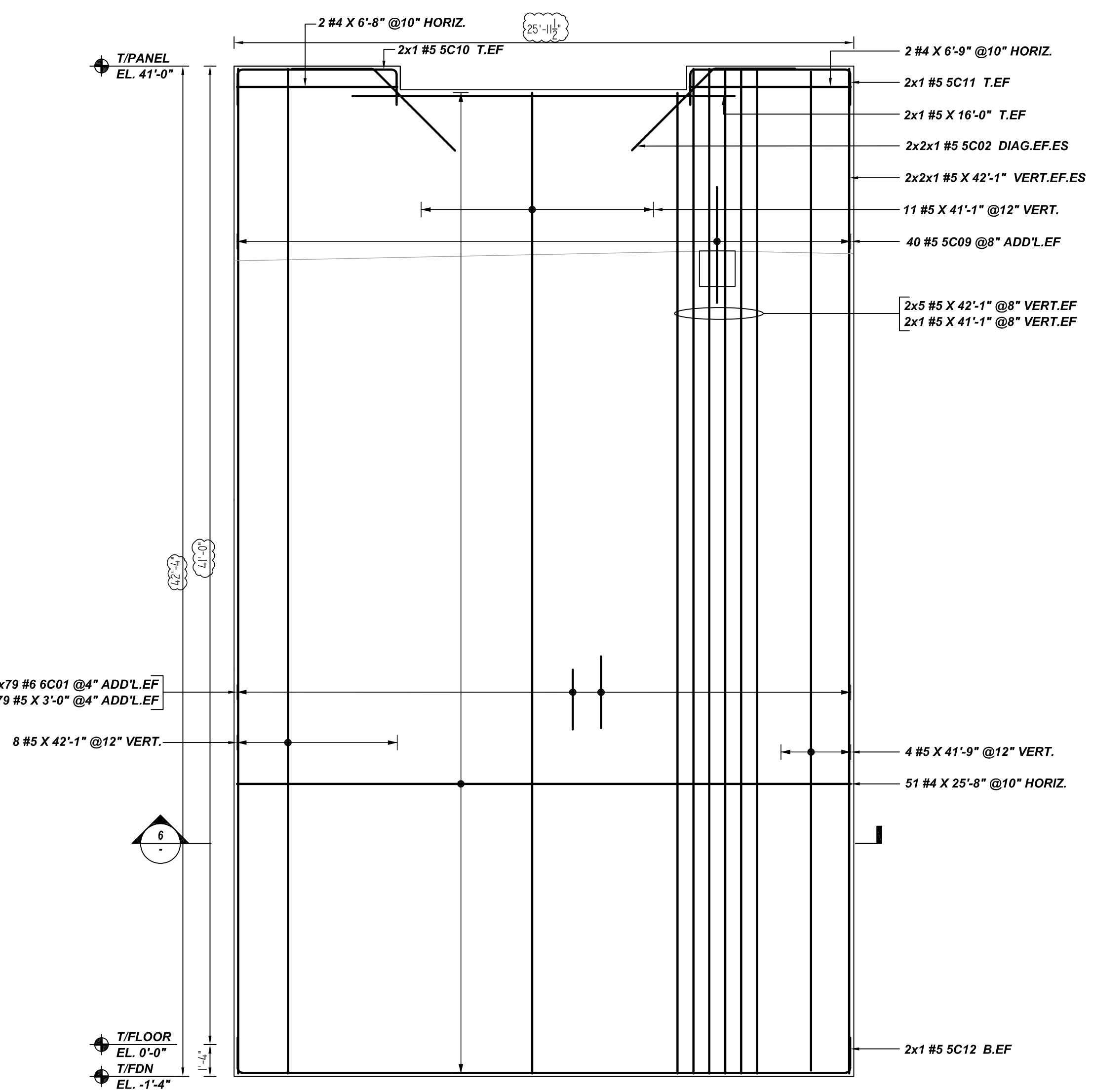
**ALL BARS IN THIS DRAWING
 ASTM A615 GRADE 60
 BLACK UNCOATED**

A/E PLEASE VERIFY COVER DETAILS FOLLOWED (TYP.)

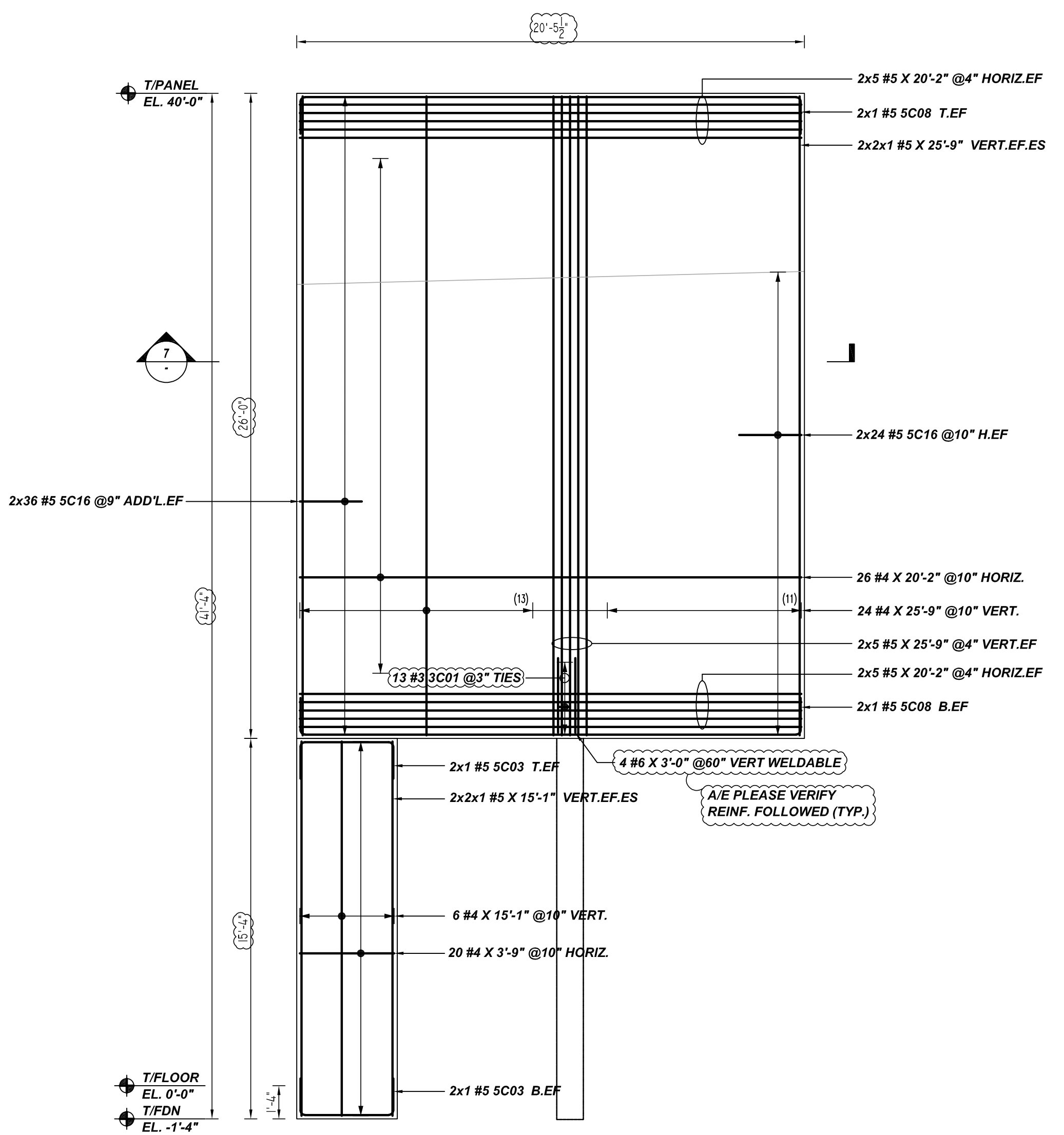
TYPICAL REINFORCING BAR CLEARANCE TABLE		
LOCATION	MIN. COVER	
PANEL INNER & OUTER FACE	1 1/2" CLR	
PANEL EDGE	1 1/2" CLR	



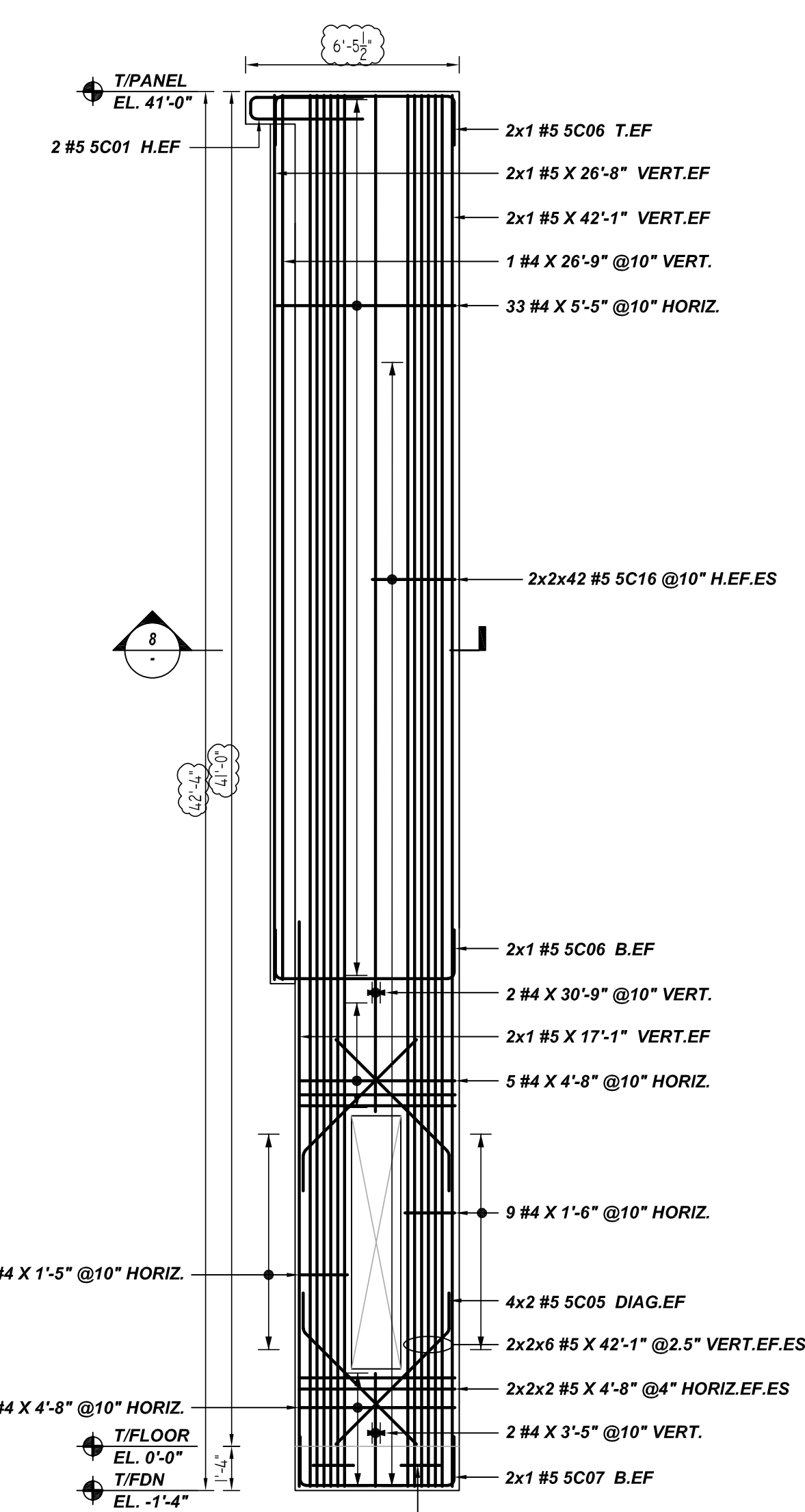
GRADE	A615/60(UNO)		
PREFIX	C		
BAR LIST NOS.			
REV	DESCRIPTION	ISSUED DATE	ISSUED FOR
0	IFA	09/20/2022	APPROVAL
STRUCTURE	BUILDING-A PANEL REINFORCEMENT DETAILS		
FLOOR	A21&A22 PANEL(LEVEL -1'-4" TO 40")		
JOB NO	-		
CUSTOMER	-		
JOB	ELLIOT_GATEWAY TECH CENTER		
LOCATION	10650 E.ELLIOT ROAD.		
DRAWN	DATE	CONTROL CODE	DWG. NO.
MRS	09/20/2022	-	R17



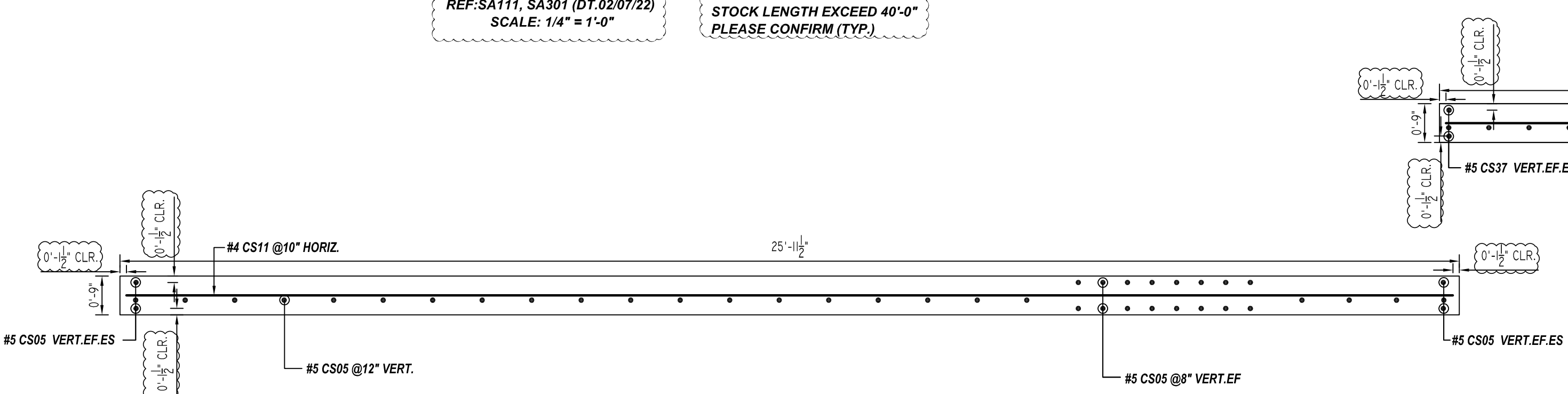
PANEL-A25
 REF: TYPE 1A/S303 (DT.02/07/22)
 REF: SA111, SA301 (DT.02/07/22)
 SCALE: 1/4" = 1'-0"
 A/E PLEASE VERIFY STOCK LENGTH EXCEED 40'-0" PLEASE CONFIRM (TYP.)



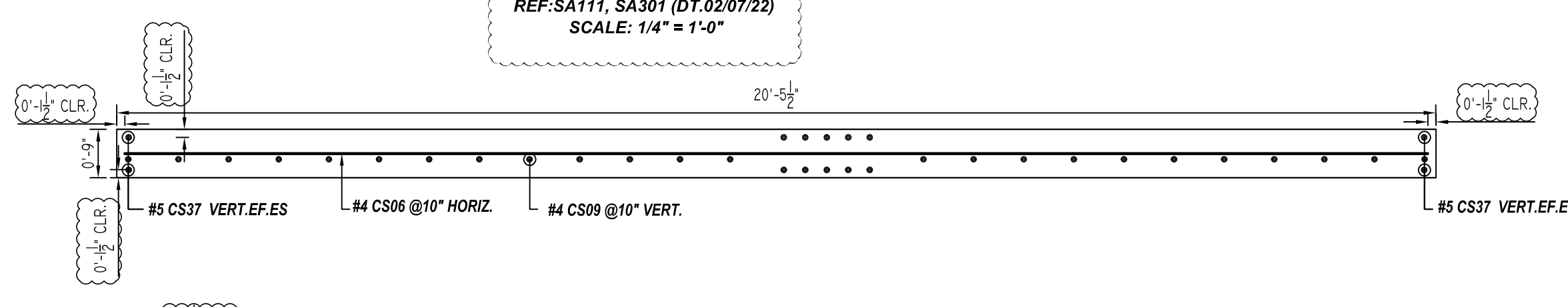
PANEL-A27
 REF: TYPE 16/S306 (DT.02/07/22)
 REF: SA111, SA301 (DT.02/07/22)
 SCALE: 1/4" = 1'-0"



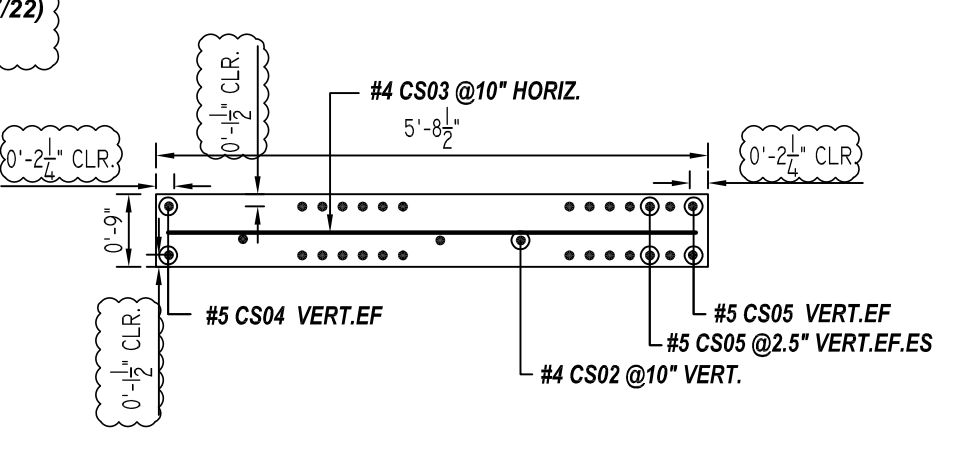
PANEL-A26
 REF: TYPE 13/S305 (DT.02/07/22)
 REF: SA111, SA301 (DT.02/07/22)
 SCALE: 1/4" = 1'-0"
 A/E PLEASE VERIFY PANEL SIZE & REINF. FOLLOWED



6 SECTION
 REF: SA111, SA302 & S303 (DT.20/07/22)
 SCALE: 1/2" = 1'-0"



7 SECTION
 REF: SA111, SA302 & S303 (DT.20/07/22)
 SCALE: 1/2" = 1'-0"



8 SECTION
 REF: SA111, SA302 & S303 (DT.20/07/22)
 SCALE: 1/2" = 1'-0"

LAP SCHEDULE

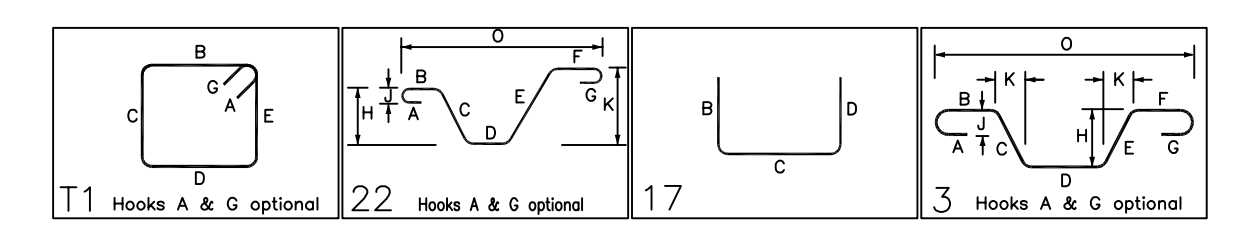
4000 PSI (CLASS-B) CASE - 1
 Per S5.01/3

BAR#	LENGTHS	
	TOP	OTHERS
#3	24"	19"
#4	33"	25"
#5	41"	31"
#6	49"	37"
#7	71"	54"
#8	81"	62"
#9	91"	70"
#10	102"	79"
#11	113"	87"

ALL TOP BARS ARE DEFINED AS HORIZONTAL BARS WITH MORE THAN 12" OF CONCRETE BELOW BARS.

Release Number: R19

Bar Mark	Qty	Size	Total Length	Type	X'	Y'	Z'	W'	V'	U'	T'	S'	R'	Q'	P'	O'	N'	M'	L'	K'	J'	I'	H'	G'	F'	E'	D'	C'	B'	A'		
3001	15	#5	2'-9 3/4"	T1	0'-4 1/2"	0'-6"	0'-6 3/4"	0'-6"	0'-6 3/4"	0'-4 1/2"																						
4201	2	#4	5'-8 3/4"	T2	0'-8 3/4"	1'-4"	1'-0"	1'-4"	0'-8 3/4"	1'-4"	0'-8 3/4"																					
5001	2	#5	7'-8 3/4"	T3	3'-5"	0'-8 3/4"	3'-5"	0'-8 3/4"	3'-5"	0'-8 3/4"																						
5002	4	#5	8'-3 3/4"	T4	3'-5"	4'-10"	3'-5"	4'-10"	3'-5"	4'-10"																						
5003	4	#5	6'-9 3/4"	T5	1'-6"	3'-9 3/4"	1'-6"	3'-9 3/4"	1'-6"	3'-9 3/4"																						
5005	8	#5	5'-11 3/4"	T6	4'-10"	1'-1 3/4"	4'-10"	1'-1 3/4"	4'-10"	1'-1 3/4"																						
5006	4	#5	8'-5 3/4"	T7	1'-6"	5'-5 3/4"	1'-6"	5'-5 3/4"	1'-6"	5'-5 3/4"																						
5007	2	#5	7'-8 3/4"	T8	1'-6"	4'-8 3/4"	1'-6"	4'-8 3/4"	1'-6"	4'-8 3/4"																						
5008	4	#5	25'-2 3/4"	T9	1'-6"	25'-2 3/4"	1'-6"	25'-2 3/4"	1'-6"	25'-2 3/4"																						
5009	40	#5	4'-10"	T10	2'-0"	0'-10"	2'-0"	0'-10"	2'-0"	0'-10"																						
5010	2	#5	9'-8 3/4"	T11	1'-6"	6'-8 3/4"	1'-6"	6'-8 3/4"	1'-6"	6'-8 3/4"																						
5011	2	#5	9'-9"	T12	1'-6"	6'-9"	1'-6"	6'-9"	1'-6"	6'-9"																						
5012	2	#5	28'-8 3/4"	T13	1'-6"	25'-8 3/4"	1'-6"	25'-8 3/4"	1'-6"	25'-8 3/4"																						
5016	288	#5	2'-6 3/4"	T14	0'-6"	2'-0"	0'-6"	2'-0"	0'-6"	2'-0"																						
6002	158	#5	2'-6 3/4"	T15	0'-6"	2'-0"	0'-6"	2'-0"	0'-6"	2'-0"																						



A/E PLEASE VERIFY COVER DETAILS FOLLOWED (TYP.)

FOR APPROVAL

ALL BARS IN THIS DRAWING
 ASTM A615 GRADE 60
 BLACK UNCOATED

TYPICAL REINFORCING BAR CLEARANCE TABLE

LOCATION	MIN. COVER
PANEL INNER & OUTER FACE	1 1/2" CLR
PANEL EDGE	1 1/2" CLR

GRADE	A615/60(UNO)		
PREFIX	C		
BAR LIST NOS.			
REV	DESCRIPTION	ISSUED DATE	ISSUED FOR
0	IFA	09/20/2022	APPROVAL
STRUCTURE	BUILDING-A PANEL REINFORCEMENT DETAILS		
FLOOR	A25 TO A27 PANEL(LEVEL -1'-4" TO 40")		
JOB NO	-		
CUSTOMER	-		
JOB	ELLIOT_GATEWAY TECH CENTER		
LOCATION	10650 E.ELLIOT ROAD.		
DRAWN	DATE	CONTROL CODE	DWG. NO.
MRS	09/20/2022	-	R19