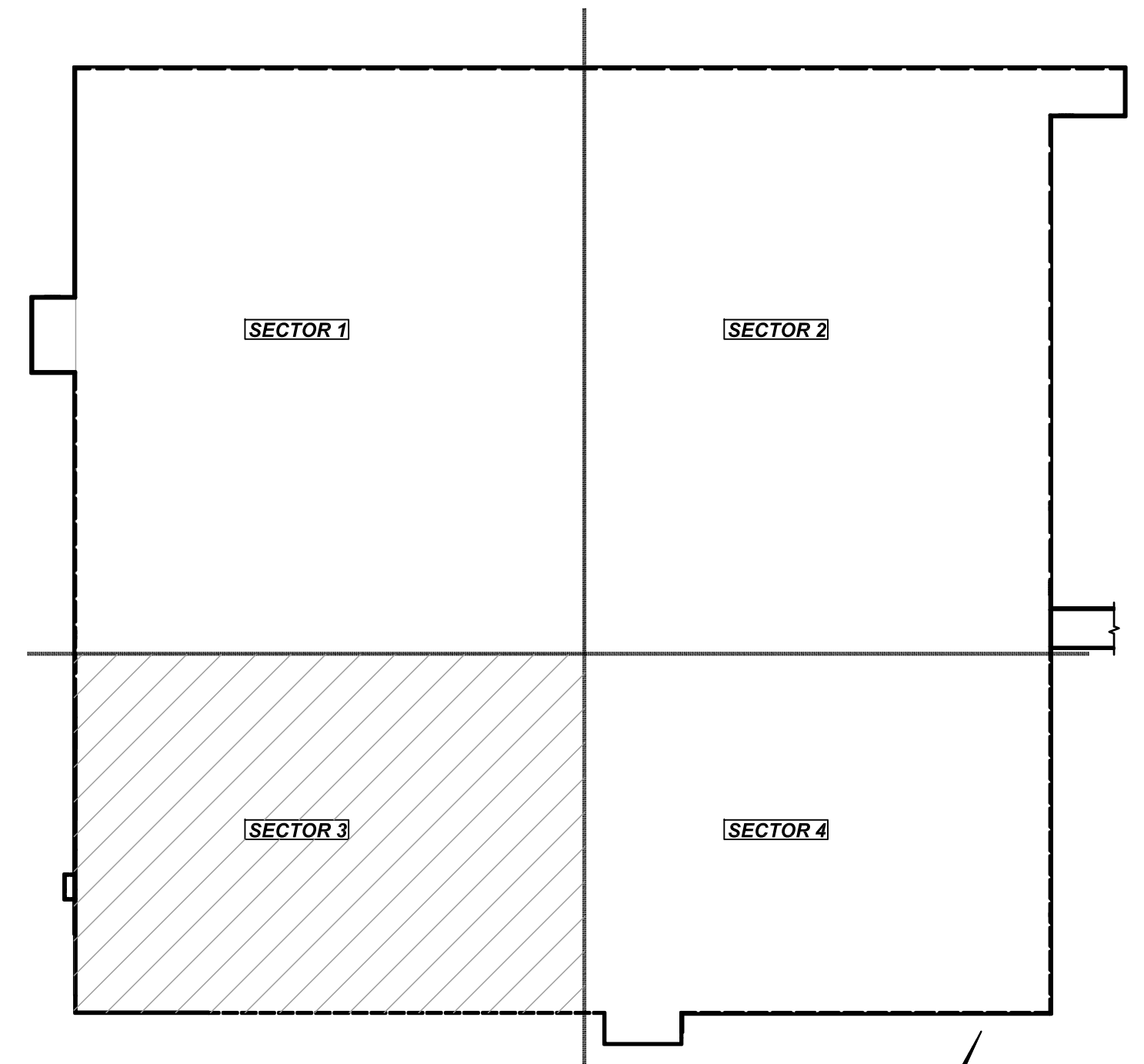
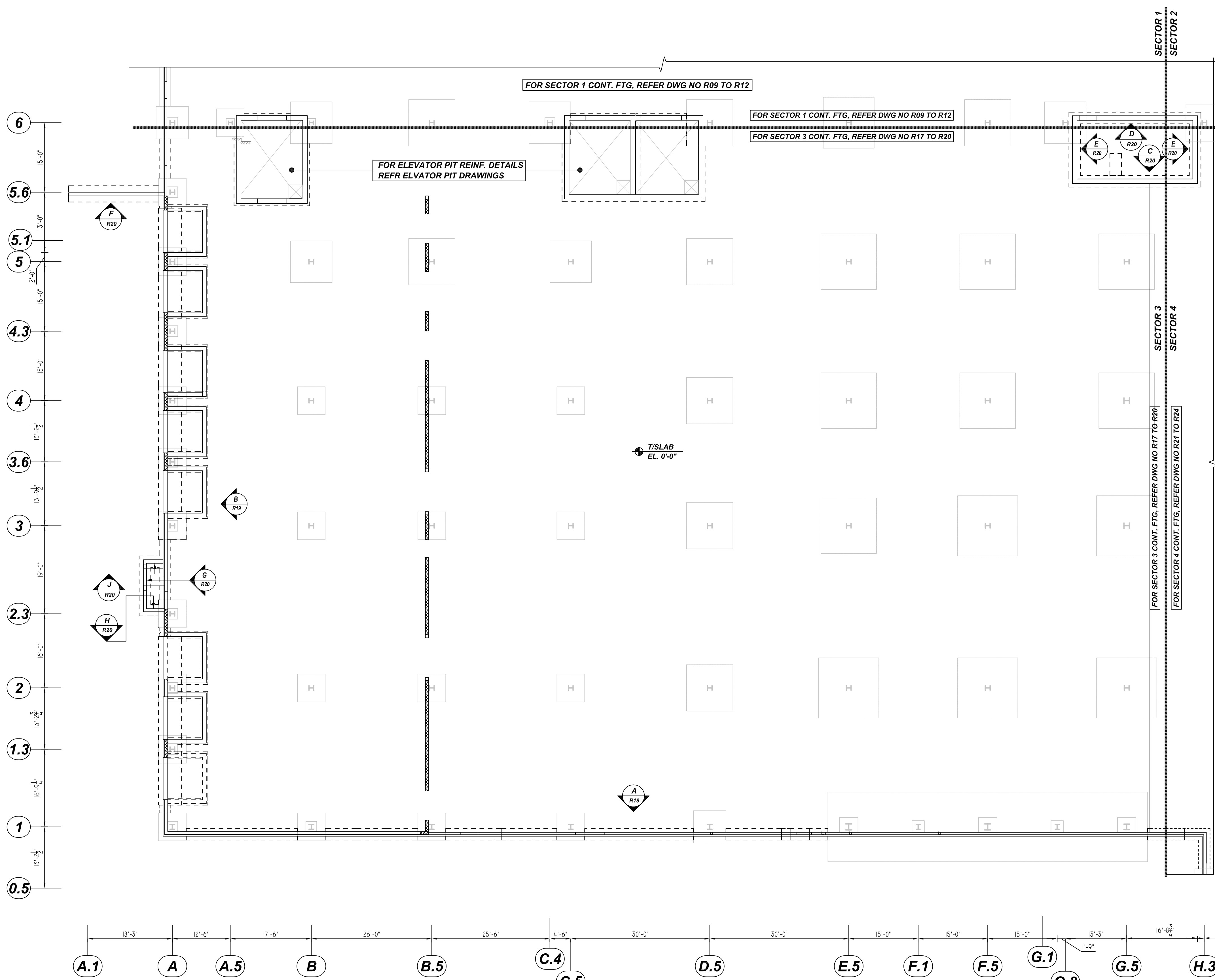


**NOTICE**  
 SHORTAGES, IMPROPER FABRICATION OR CLAIMS FOR ANY OTHER REASON MUST BE REPORTED TO THIS COMPANY WITHIN 10 DAYS FROM ORIGINAL DELIVERY. THIS COMPANY ALSO RESERVES THE RIGHT TO FIELD INSPECT MATERIALS PRIOR TO REPLACEMENT OR RECONDITIONING OF MATERIALS AND WILL NOT BE LIABLE FOR CHARGES FROM WORK DONE IN THE FIELD WITHOUT PRIOR AUTHORIZATION FROM THIS COMPANY.

REINFORCING STEEL PLACING DRAWING ONLY. USE IN CONJUNCTION WITH CONTRACT DRAWINGS & SPECIFICATIONS. ELEVATIONS & DIMENSIONS SHOWN ON DRAWING ARE FOR DETAILING PURPOSES ONLY AND SHOULD NOT BE USED FOR CONSTRUCTION UNLESS VERIFIED BY ENGINEER OR CONTRACTOR.



**DP1 BUILDING KEYPLAN**  
 REF: S1.1 (DT.07/29/22)  
 N.T.S.

**DP-1 BUILDING SECTOR 3 CONTINUOUS FOOTING & WALL DOWEL REINFORCEMENT DETAILS**

REF: S2.1.3 (DT.07/29/22)  
 SCALE: 1/12" = 1'-0"

**REBAR GRADE 60 ASTM A-615**

SPLICES USED		ABBREVIATIONS		BAR MARK SIZE EQUIVALENT	
CLASS B 4,500 psi UNO				Imperial	Soft Metric
TOP BARS	OTHER BARS	ADD.	Additional	#3	#10
#3 24"	#3 19"	B.O.W.	Bottom of wall	#4	#13
#4 32"	#4 24"	C.B.	Corner Bars	#5	#16
#5 39"	#5 30"	DIAG.	Diagonal	#6	#19
#6 46"	#6 36"	D.O.	Door Opening	#7	#22
#7 67"	#7 52"	DWLS.	Dowels	#8	#25
#8 77"	#8 59"	E.F.	Each Face	#9	#29
#9 86"	#9 67"	E.S.	Each Side	#10	#32
#10 95"	#10 73"	E.W.	Each Way	#11	#36
#11 104"	#11 81"	FTG.	Footing		
#14		F.F.	Far Face		
		HORIZ.	Horizontal		
		I.F.	Inside Face		
		INTERS.	Intersection		
		L.W.	long Way		
		N.F.	Near Face		
		O.F.	Outside Face		
		S.W.	Short Way		
		T&B	Top & Bottom		
		T.O.W.	Top of Wall		
		Trans.	Transverse		
		VERT.	Vertical		

REV NO	DATE	SENT FOR	REV NO	DATE	SENT FOR
0	08.18.22	APPROVAL			

**STA PHARMACEUTICAL MIDDLETOWN EXPANSION DP-1**  
 DP-1 BUILDING SECTOR 3 CONTINUOUS FOOTING & WALL DOWEL REINFORCEMENT DETAILS  
**MIDDLETOWN, DE 19709**

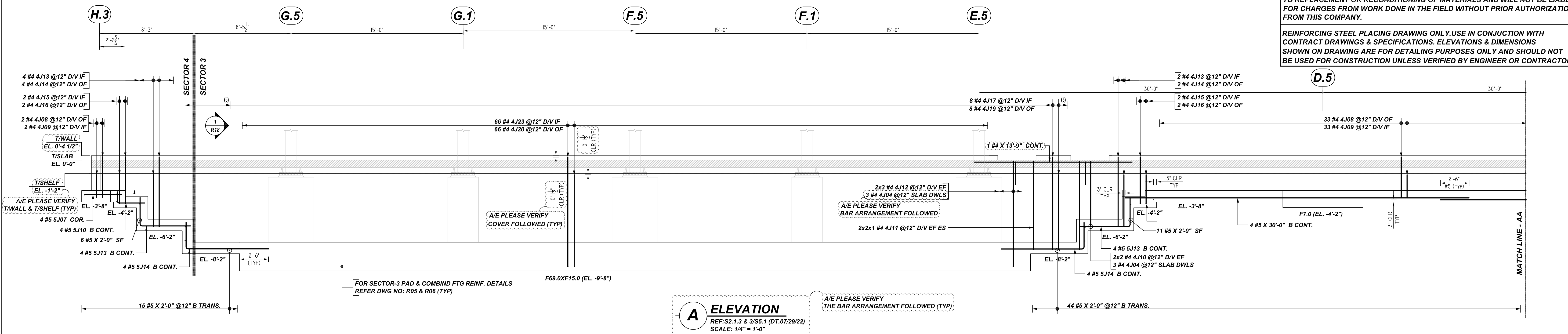
CUSTOMER: -  
 DESIGNER: -

DRAWN BY	DATE	JOB NO	SHEET NO.
JSN/MET	08.18.22	-	<b>R17</b>

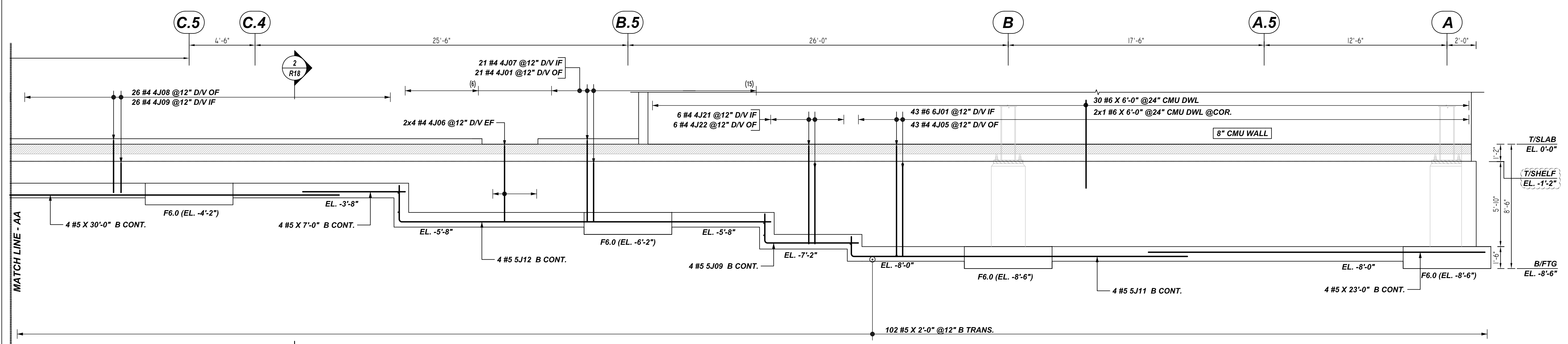
**NOTICE**

SHORTAGES, IMPROPER FABRICATION OR CLAIMS FOR ANY OTHER REASON MUST BE REPORTED TO THIS COMPANY WITHIN 10 DAYS FROM ORIGINAL DELIVERY. THIS COMPANY ALSO RESERVES THE RIGHT TO FIELD INSPECT MATERIALS PRIOR TO REPLACEMENT OR RECONDITIONING OF MATERIALS AND WILL NOT BE LIABLE FOR CHARGES FROM WORK DONE IN THE FIELD WITHOUT PRIOR AUTHORIZATION FROM THIS COMPANY.

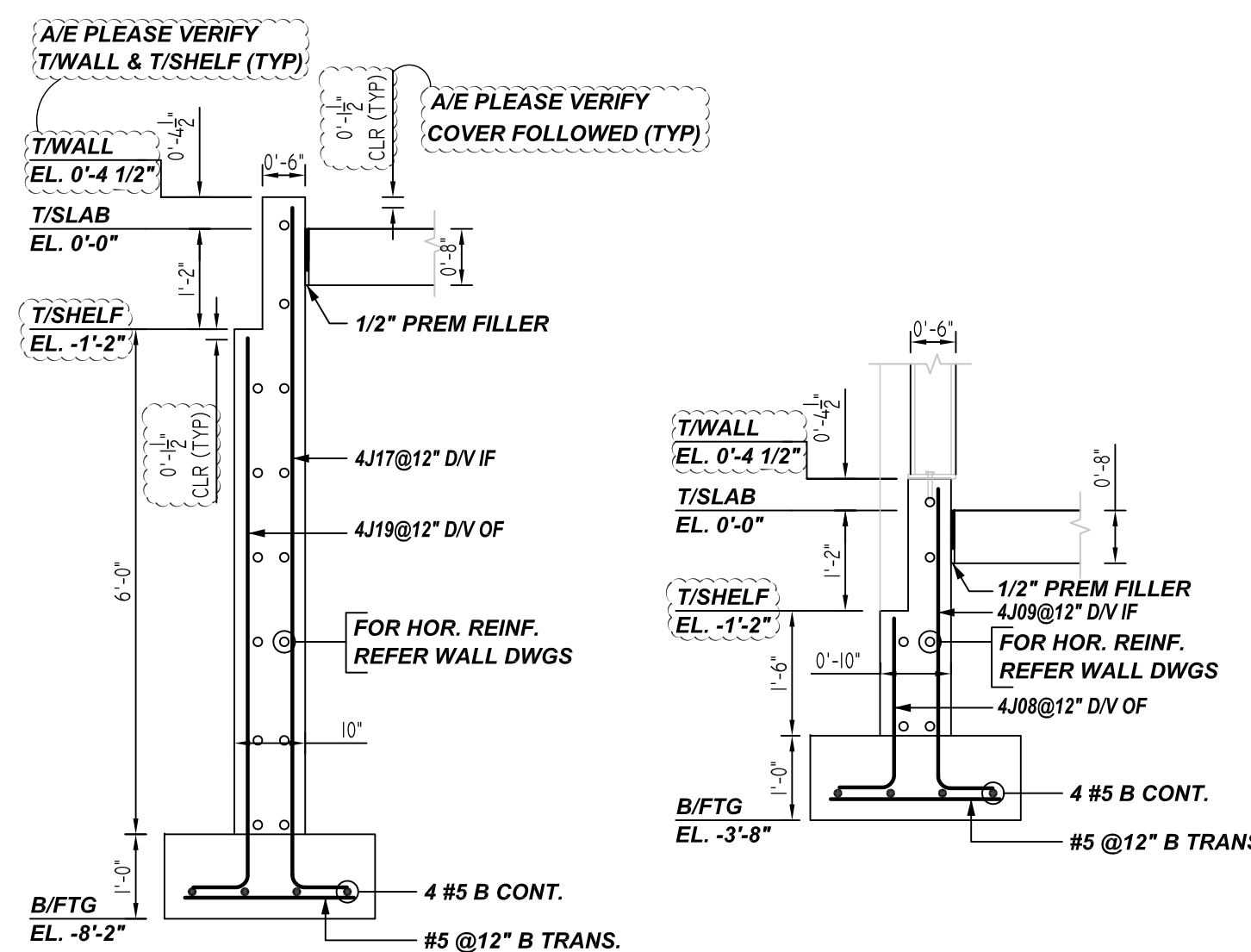
REINFORCING STEEL PLACING DRAWING ONLY. USE IN CONJUNCTION WITH CONTRACT DRAWINGS & SPECIFICATIONS. ELEVATIONS & DIMENSIONS SHOWN ON DRAWING ARE FOR DETAILING PURPOSES ONLY AND SHOULD NOT BE USED FOR CONSTRUCTION UNLESS VERIFIED BY ENGINEER OR CONTRACTOR.



**A ELEVATION**  
REF: S2.1.3 & 3/S5.1 (DT.07/29/22)  
SCALE: 1/4" = 1'-0"



**A (CONTINUATION) ELEVATION**  
REF: S2.1.3 & 3/S5.1 (DT.07/29/22)  
SCALE: 1/4" = 1'-0"



**1 SECTION**  
R18 REF: 1/S3.1 (DT.07/29/22)  
SCALE: 1/2" = 1'-0"

**2 SECTION**  
R18 REF: 6/S3.1 (DT.07/29/22)  
SCALE: 1/2" = 1'-0"

Bar Mark	Qty	Size	Total Length	Type	X'	Y'	Z'	W'	V'	U'	T'	S'	R'	Q'	P'	O'	N'	M'	L'	K'	J'	I'	H'	G'	F'	E'	D'	C'	B'	A'
4001	2	#4	4'-8 1/2"	2	0'-8"	4'-0 1/2"																								
4004	6	#4	4'-0"	17		2'-0"																								
4005	43	#4	7'-0 1/2"	2	0'-8"	6'-4 1/2"																								
4006	8	#4	5'-10 1/2"	2	0'-8"	5'-2 1/2"																								
4007	2	#4	6'-2 1/2"	2	0'-8"	5'-6 1/2"																								
4008	6	#4	2'-8 1/2"	2	0'-8"	2'-0 1/2"																								
4009	6	#4	4'-2 1/2"	2	0'-8"	3'-6 1/2"																								
4100	4	#4	6'-4 1/2"	2	0'-8"	5'-8 1/2"																								
4101	4	#4	8'-4 1/2"	2	0'-8"	7'-8 1/2"																								
4102	6	#4	9'-10 1/2"	2	0'-8"	9'-2 1/2"																								
4103	6	#4	6'-8 1/2"	2	0'-8"	6'-0 1/2"																								
4104	6	#4	5'-2 1/2"	2	0'-8"	4'-6 1/2"																								
4105	4	#4	4'-8 1/2"	2	0'-8"	4'-0 1/2"																								
4106	4	#4	3'-2 1/2"	2	0'-8"	2'-6 1/2"																								
4107	8	#4	8'-8 1/2"	2	0'-8"	8'-0 1/2"																								
4109	8	#4	7'-2 1/2"	2	0'-8"	6'-6 1/2"																								
4200	86	#4	8'-8 1/2"	2	0'-8"	8'-0 1/2"																								
4201	6	#4	7'-4 1/2"	2	0'-8"	6'-8 1/2"																								
4202	6	#4	6'-2 1/2"	2	0'-8"	5'-6 1/2"																								
4203	66	#4	10'-2 1/2"	2	0'-8"	9'-6 1/2"																								
5007	4	#5	5'-9"	17		2'-6"	3'-5"																							
5009	4	#5	8'-5"	17		2'-6"	6'-5"																							
5100	4	#5	3'-5"	17		1'-6"	2'-5"																							
5101	4	#5	2'-4 1/2"	17		1'-4 1/2"	2'-5"																							
5102	4	#5	2'-11"	17		2'-4"	2'-5"																							
5103	8	#5	6'-11"	17		2'-4"	4'-5"																							
5104	8	#5	9'-7"	17		2'-4"	7'-5"																							
6001	43	#6	8'-6 1/2"	2	1'-0"	7'-8 1/2"																								

LOCATION	MIN. COVER
FOOTING SIDE & BOTTOM	3" CLR
FOOTING TOP	2" CLR
WALL TOP	1.5" CLR

A/E PLEASE VERIFY FTG & WALL TOP COVER

**REBAR GRADE 60 ASTM A-615**

SPLICES USED		ABBREVIATIONS		BAR MARK SIZE EQUIVALENT	
<b>CLASS B 4,500 psi UNO</b>					
TOP BARS	OTHER BARS	ADD. = Additional	B.O.W. = Bottom of wall	Imperial	Soft Metric
#3 24"	#3 19"	C.B. = Corner Bars	DIAG. = Diagonal	#3	#10
#4 32"	#4 24"	D.O. = Door Opening	D.W.L. = Dowels	#4	#13
#5 39"	#5 30"	E.F. = Each Face	E.S. = Each Side	#5	#16
#6 46"	#6 36"	E.W. = Each Way	FTG. = Footing	#6	#19
#7 67"	#7 52"	F.F. = Far Face	HORIZ. = Horizontal	#7	#22
#8 77"	#8 59"	I.F. = Inside Face	INTERS. = Intersection	#8	#25
#9 86"	#9 67"	L.W. = long Way	N.F. = Near Face	#9	#29
#10 95"	#10 73"	O.F. = Outside Face	S.W. = Short Way	#10	#32
#11 104"	#11 81"	T.O.W. = Top of Wall	T.B. = Top & Bottom	#11	#36
#14		Trans. = Transverse	VERT. = Vertical		

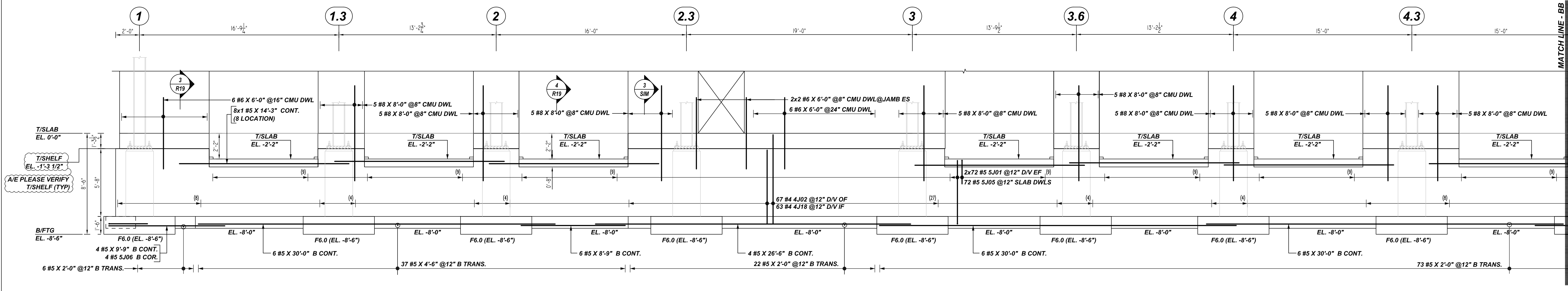
**STA PHARMACEUTICAL MIDDLETOWN EXPANSION DP-1**  
DP-1 BUILDING SECTOR 3 CONTINUOUS FOOTING & WALL DOWEL REINFORCEMENT DETAILS  
**MIDDLETOWN, DE 19709**

CUSTOMER: -  
DESIGNER: -  
DRAWN BY: JSN/MET DATE: 08.18.22 JOB NO: - SHEET NO: R18

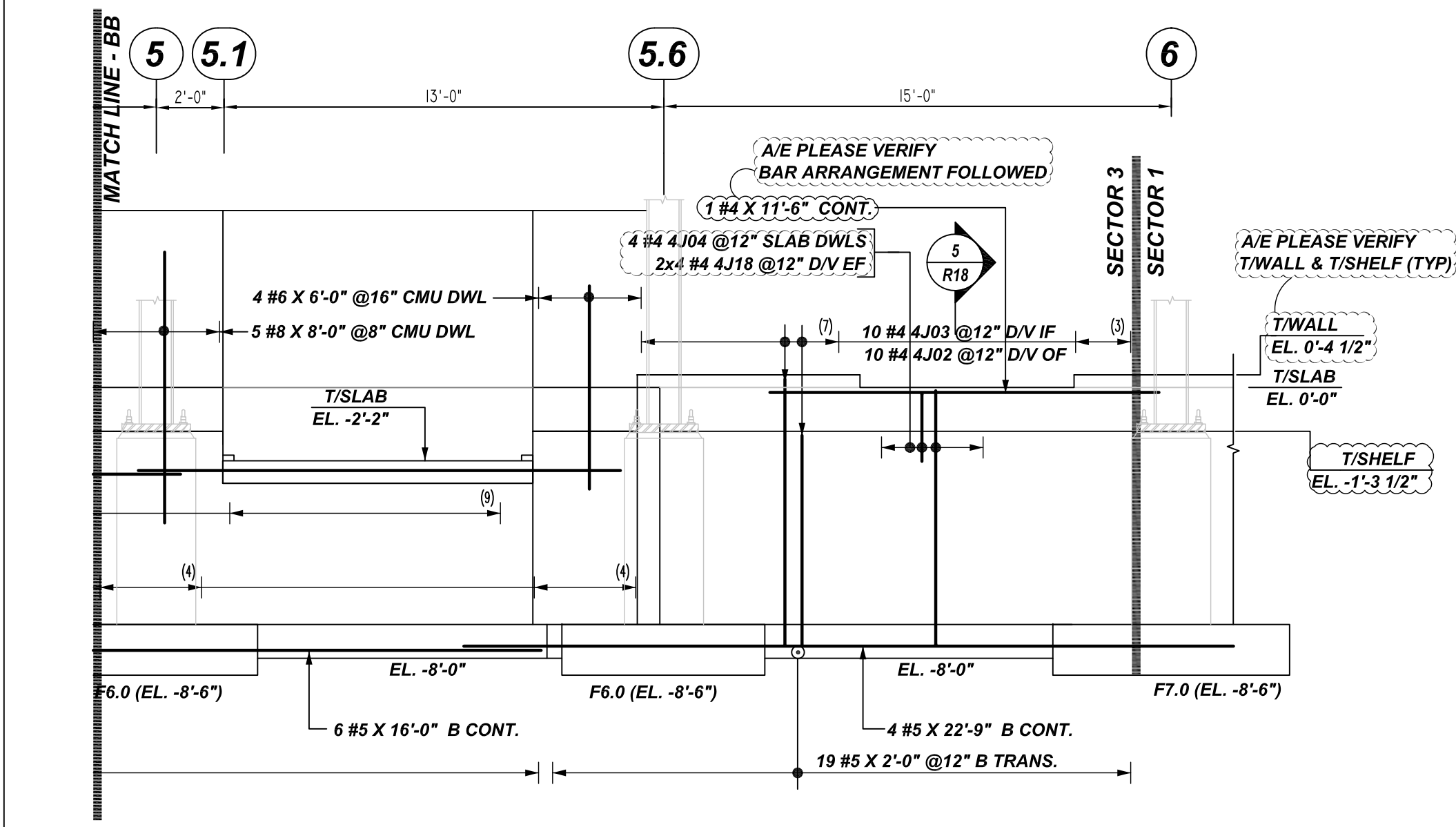
REV NO	DATE	SENT FOR	REV NO	DATE	SENT FOR
0	08.18.22	APPROVAL			

**NOTICE**  
 SHORTAGES, IMPROPER FABRICATION OR CLAIMS FOR ANY OTHER REASON MUST BE REPORTED TO THIS COMPANY WITHIN 10 DAYS FROM ORIGINAL DELIVERY. THIS COMPANY ALSO RESERVES THE RIGHT TO FIELD INSPECT MATERIALS PRIOR TO REPLACEMENT OR RECONDITIONING OF MATERIALS AND WILL NOT BE LIABLE FOR CHARGES FROM WORK DONE IN THE FIELD WITHOUT PRIOR AUTHORIZATION FROM THIS COMPANY.

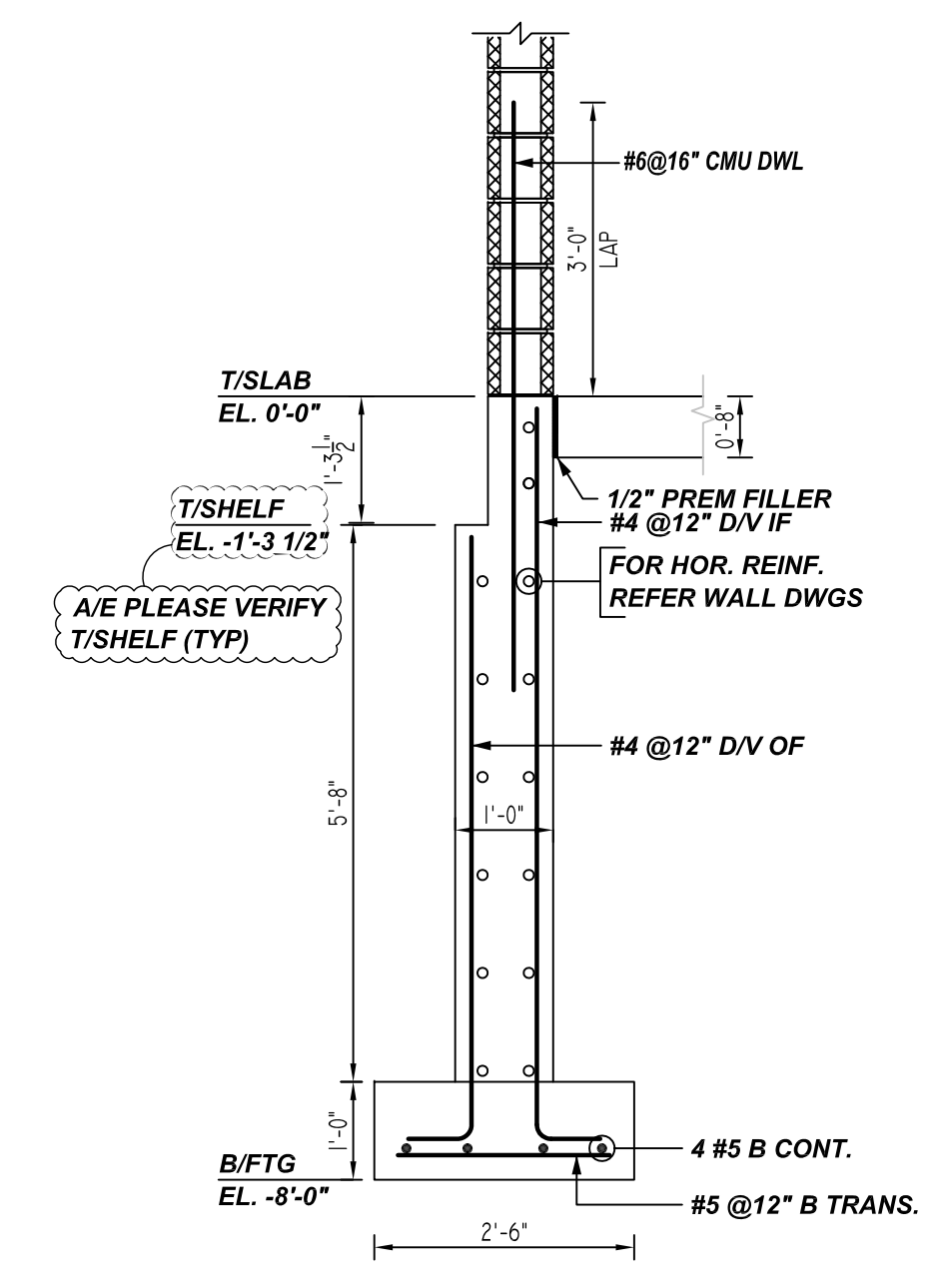
REINFORCING STEEL PLACING DRAWING ONLY. USE IN CONJUNCTION WITH CONTRACT DRAWINGS & SPECIFICATIONS. ELEVATIONS & DIMENSIONS SHOWN ON DRAWING ARE FOR DETAILING PURPOSES ONLY AND SHOULD NOT BE USED FOR CONSTRUCTION UNLESS VERIFIED BY ENGINEER OR CONTRACTOR.



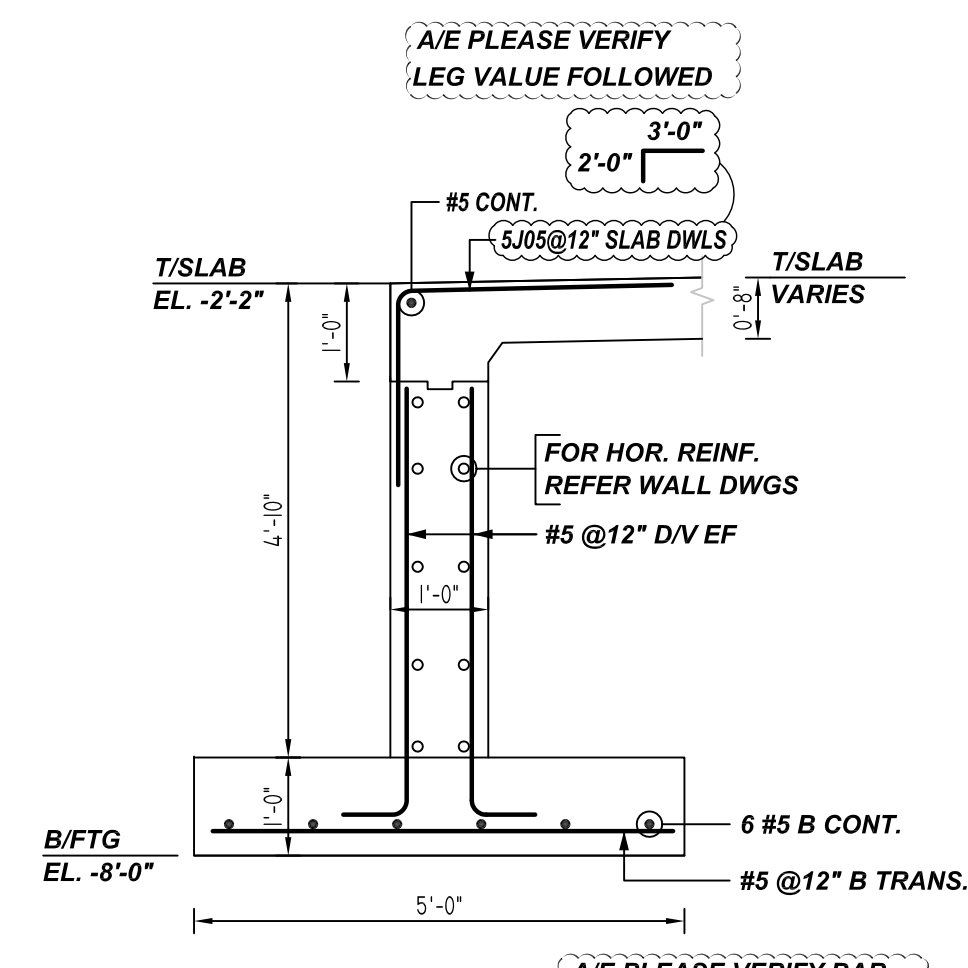
**B ELEVATION**  
 REF: S2.1.3 & 8&9/S3.1 (DT.07/29/22)  
 SCALE: 1/4" = 1'-0"



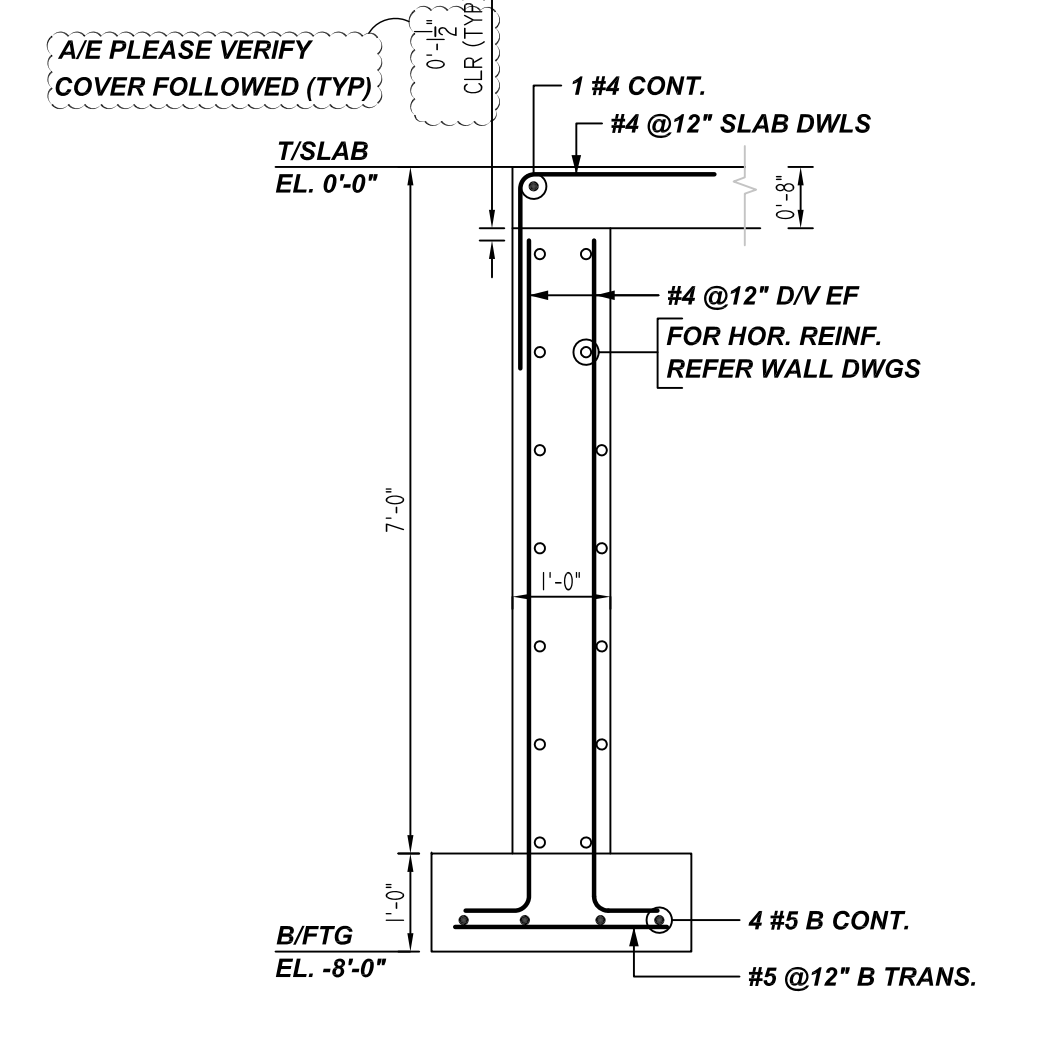
(CONTINUATION)  
**B ELEVATION**  
 REF: S2.1.3 & 8&9/S3.1 (DT.07/29/22)  
 SCALE: 1/4" = 1'-0"



**3 SECTION**  
 R19 REF: 2/S3.1 (DT.07/29/22)  
 SCALE: 1/2" = 1'-0"



**4 SECTION**  
 R19 REF: 2/S3.1 (DT.07/29/22)  
 SCALE: 1/2" = 1'-0"



**5 SECTION**  
 R19 REF: 2/S3.1 (DT.07/29/22)  
 SCALE: 1/2" = 1'-0"

Bar Mark	Qty	Size	Total Length	Type	X	Y	Z	W	V	U	T	S	R	Q	P	O	N	M	L	K	J	I	H	G	F	E	D	C	B	A
4402	77	#4	6'-10 1/2"	2	0'-8"	6'-2 1/2"																								
4403	108	#4	8'-4 1/2"	2	0'-8"	7'-10 1/2"																								
4404	4	#4	4'-0"	17	2'-0"																									
4418	74	#4	8'-2 1/2"	2	0'-8"	7'-6 1/2"																								
5001	144	#5	6'-2 1/2"	2	0'-10"	5'-4 1/2"																								
5405	72	#5	5'-0"	17	2'-0"	3'-0"																								
5406	4	#5	6'-6 1/2"	17	3'-3 1/2"	3'-3 1/2"																								

LOCATION	MIN. COVER
FOOTING SIDE & BOTTOM	3" CLR
FOOTING TOP	2" CLR
WALL TOP	1.5" CLR

A/E PLEASE VERIFY FTG & WALL TOP COVER

**REBAR GRADE 60 ASTM A-615**

SPLICES USED		ABBREVIATIONS		BAR MARK SIZE EQUIVALENT	
CLASS B 4,500 psi UNO				Imperial	Soft Metric
TOP BARS	OTHER BARS	ADD.	= Additional	#3	#10
#3 24"	#3 19"	B.O.W.	= Bottom of wall	#4	#13
#4 32"	#4 24"	C.B.	= Corner Bars	#5	#16
#5 39"	#5 30"	DIAG.	= Diagonal	#6	#19
#6 46"	#6 36"	D.O.	= Door Opening	#7	#22
#7 67"	#7 52"	DWLS.	= Dowels	#8	#25
#8 77"	#8 59"	E.F.	= Each Face	#9	#29
#9 86"	#9 67"	E.S.	= Each Side	#10	#32
#10 95"	#10 73"	E.W.	= Each Way	#11	#36
#11 104"	#11 81"	FTG.	= Footing		
#14		F.F.	= Far Face		
		HORIZ.	= Horizontal		
		I.F.	= Inside Face		
		INTERS.	= Intersection		
		L.W.	= long Way		
		N.F.	= Near Face		
		O.F.	= Outside Face		
		S.W.	= Short Way		
		T&B	= Top & Bottom		
		T.O.W.	= Top of Wall		
		Trans.	= Transverse		
		VERT.	= Vertical		

**STA PHARMACEUTICAL MIDDLETOWN EXPANSION DP-1**  
 DP-1 BUILDING SECTOR 3 CONTINUOUS FOOTING & WALL DOWEL REINFORCEMENT DETAILS  
**MIDDLETOWN, DE 19709**

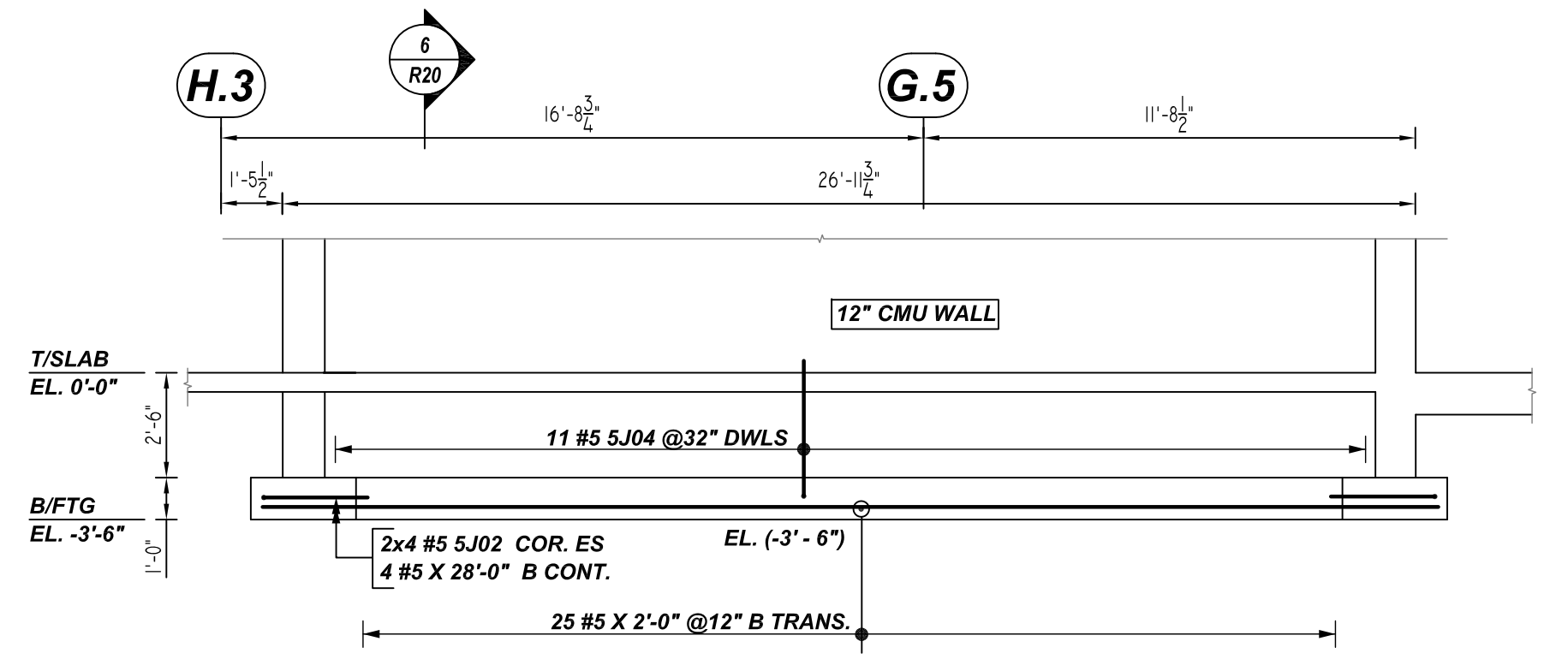
CUSTOMER: -  
 DESIGNER: -

REV NO	DATE	APPROVAL	SENT FOR	REV NO	DATE	SENT FOR
0	08.18.22					

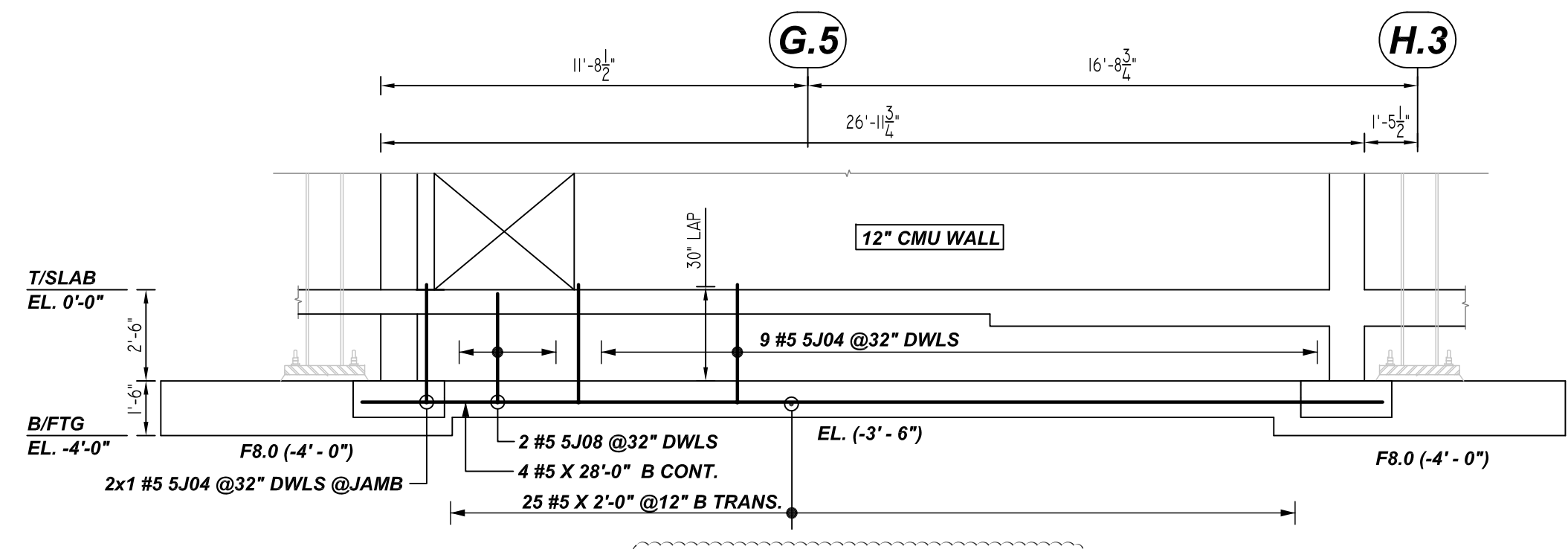
DRAWN BY	DATE	JOB NO	SHEET NO.
JSN/MET	08.18.22	-	<b>R19</b>

**NOTICE**  
 SHORTAGES, IMPROPER FABRICATION OR CLAIMS FOR ANY OTHER REASON MUST BE REPORTED TO THIS COMPANY WITHIN 10 DAYS FROM ORIGINAL DELIVERY. THIS COMPANY ALSO RESERVES THE RIGHT TO FIELD INSPECT MATERIALS PRIOR TO REPLACEMENT OR RECONDITIONING OF MATERIALS AND WILL NOT BE LIABLE FOR CHARGES FROM WORK DONE IN THE FIELD WITHOUT PRIOR AUTHORIZATION FROM THIS COMPANY.

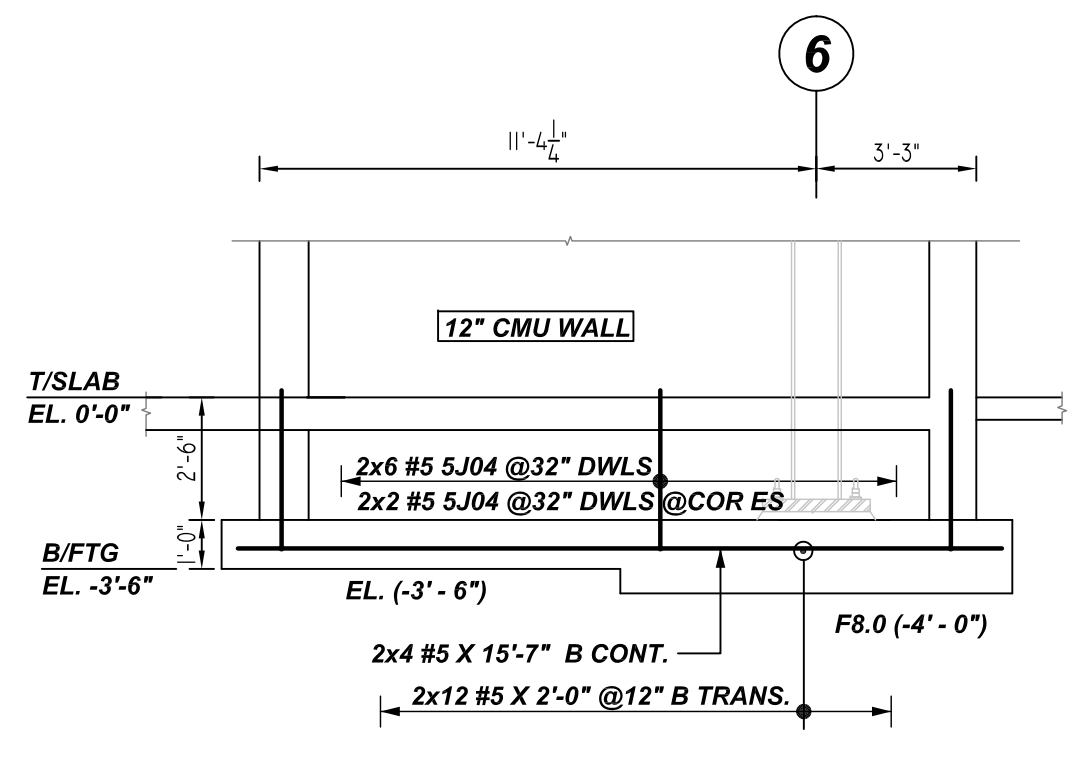
REINFORCING STEEL PLACING DRAWING ONLY. USE IN CONJUNCTION WITH CONTRACT DRAWINGS & SPECIFICATIONS. ELEVATIONS & DIMENSIONS SHOWN ON DRAWING ARE FOR DETAILING PURPOSES ONLY AND SHOULD NOT BE USED FOR CONSTRUCTION UNLESS VERIFIED BY ENGINEER OR CONTRACTOR.



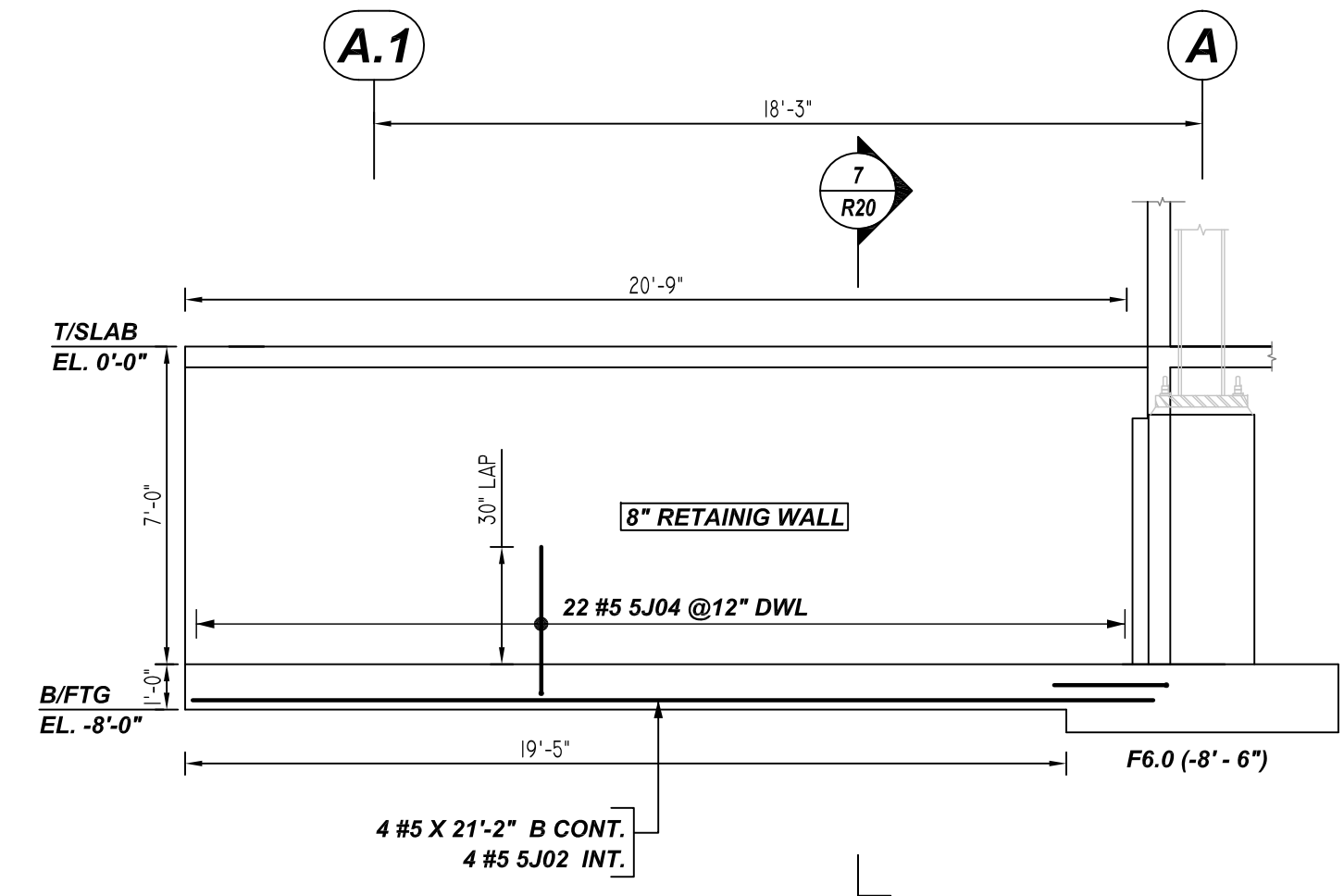
**C ELEVATION**  
 REF: S2.1.3 & 12/S3.1 (DT.07/29/22)  
 SCALE: 1/4" = 1'-0"  
 A/E PLEASE VERIFY THE BAR ARRANGEMENT FOLLOWED (TYP)



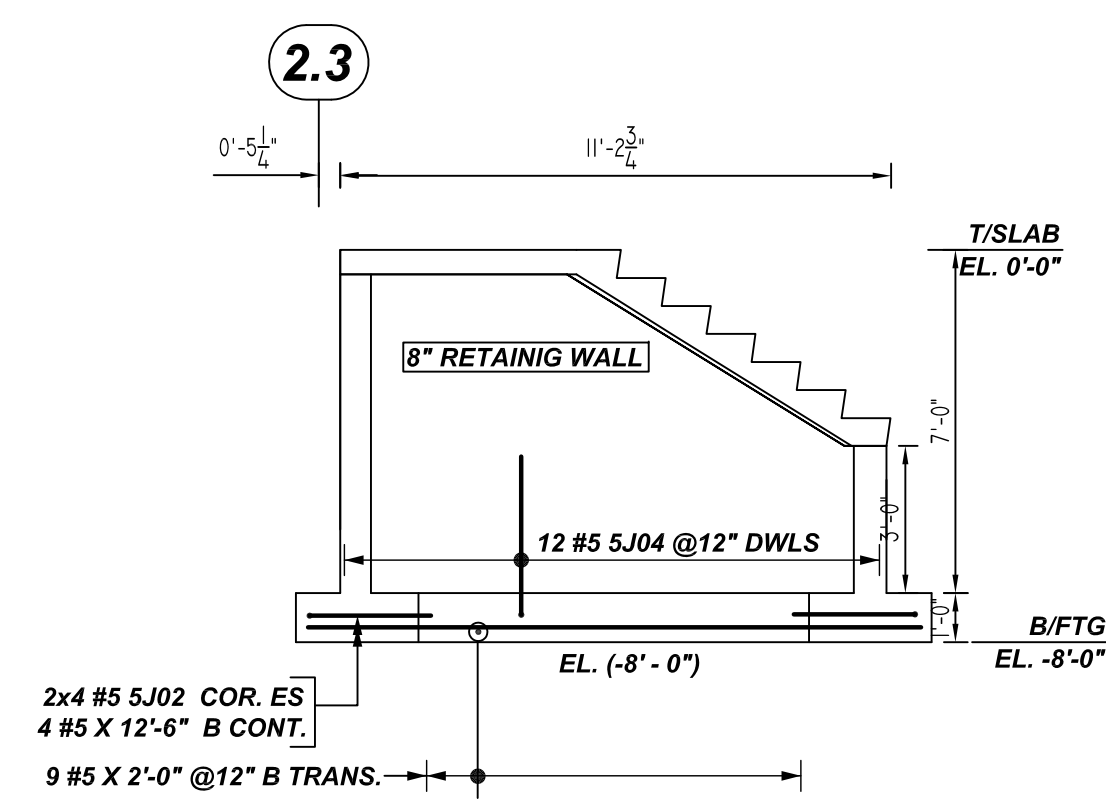
**D ELEVATION**  
 REF: S2.1.3 & 12/S3.1 (DT.07/29/22)  
 SCALE: 1/4" = 1'-0"



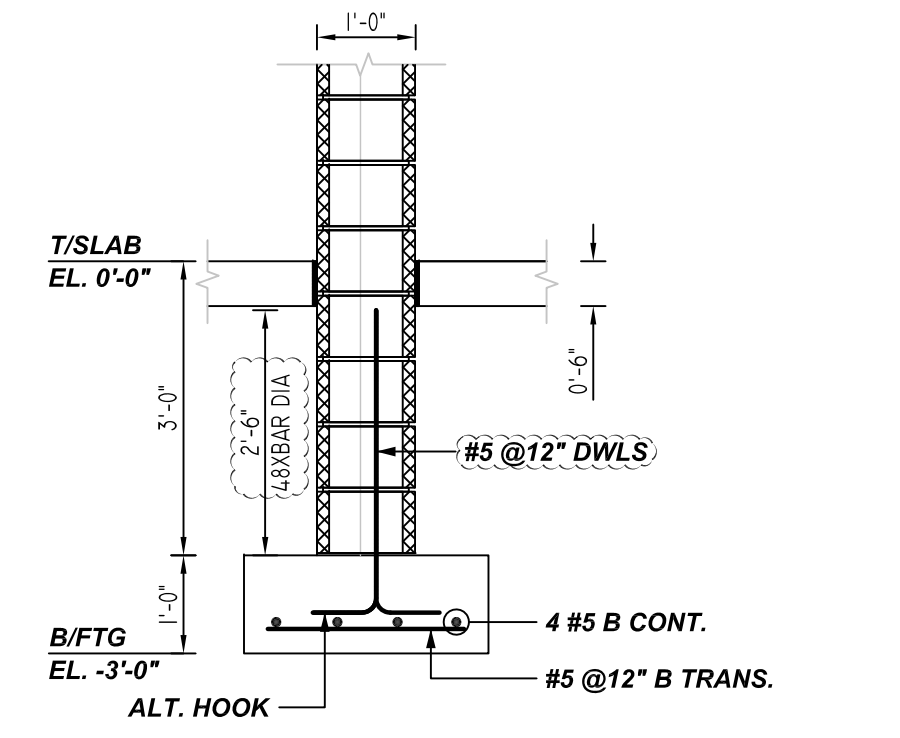
**E ELEVATION**  
 REF: S2.1.3 & 12/S3.1 (DT.07/29/22)  
 SCALE: 1/4" = 1'-0"  
 (2 LOCATION)



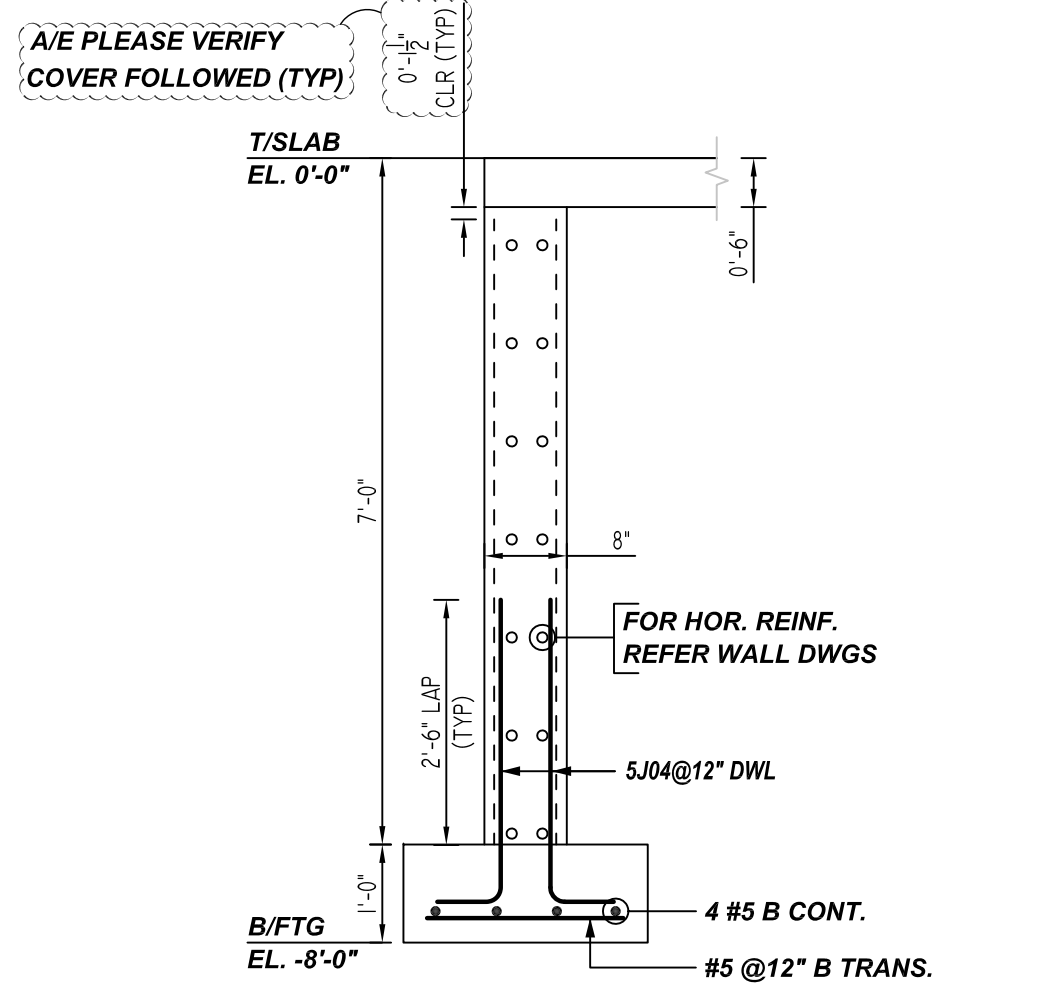
**F ELEVATION**  
 REF: S2.1.3 & 12/S3.1 (DT.07/29/22)  
 SCALE: 1/4" = 1'-0"  
 (2 LOCATION)



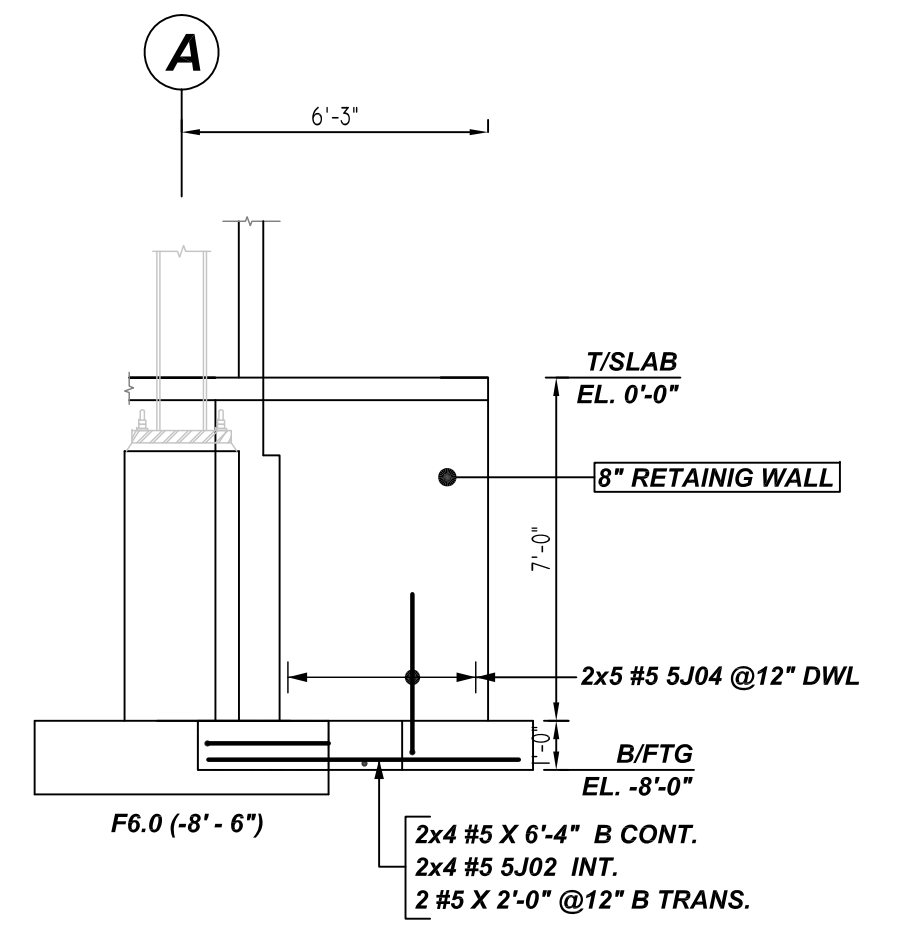
**G ELEVATION**  
 REF: S2.1.3 & 12/S3.1 (DT.07/29/22)  
 SCALE: 1/4" = 1'-0"



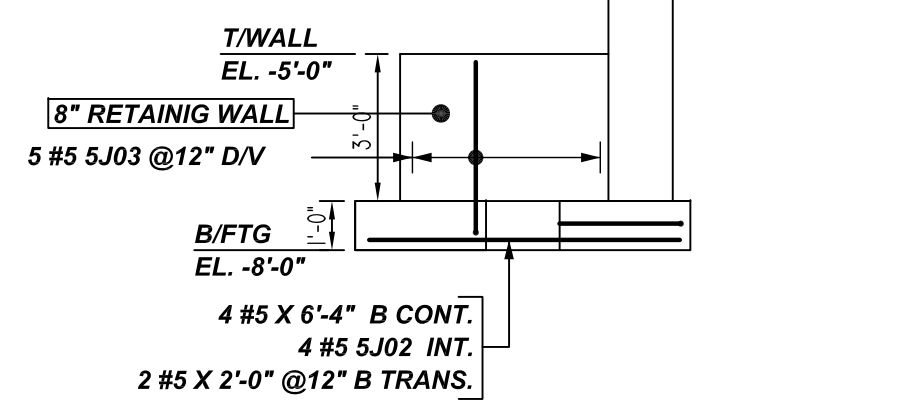
**6 SECTION**  
 R20 REF: 12/S3.1 (DT.07/29/22)  
 SCALE: 1/2" = 1'-0"  
 A/E PLEASE VERIFY CMU REINF. & LAP FOLLOWED (TYP)



**7 SECTION**  
 R20 REF: 4/S3.1 (DT.07/29/22)  
 SCALE: 1/2" = 1'-0"  
 A/E PLEASE VERIFY BAR ARRANGEMENT FOLLOWED



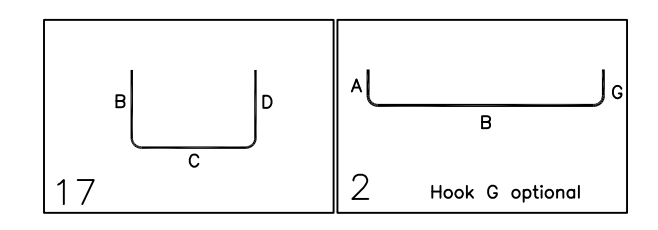
**H ELEVATION**  
 REF: S2.1.3 & 12/S3.1 (DT.07/29/22)  
 SCALE: 1/4" = 1'-0"



**J ELEVATION**  
 REF: S2.1.3 & 12/S3.1 (DT.07/29/22)  
 SCALE: 1/4" = 1'-0"

Release Number: R20

Bar Mark	Qty	Size	Total Length	Type	X	Y	Z	W	V	U	T	S	R	Q	P	O	N	M	L	K	J	I	H	G	F	E	D	C	B	A
SJ02	37	#5	5'-0"	17																										
SJ03	9	#5	4'-4"	2	0'-10"																									
SJ04	82	#5	4'-1"	2	0'-10"																									
SJ08	2	#5	3'-10"	2	0'-10"																									



TYPICAL REINFORCING BAR CLEARANCE TABLE

LOCATION	MIN. COVER
FOOTING SIDE & BOTTOM	3" CLR
FOOTING TOP	2" CLR
WALL TOP	1.5" CLR

A/E PLEASE VERIFY FTG & WALL TOP COVER

**REBAR GRADE 60 ASTM A-615**

**SPLICES USED**

CLASS B 4,500 psi UNO

TOP BARS	OTHER BARS
#3 24"	#3 19"
#4 32"	#4 24"
#5 39"	#5 30"
#6 46"	#6 36"
#7 67"	#7 52"
#8 77"	#8 59"
#9 86"	#9 67"
#10 95"	#10 73"
#11 104"	#11 81"
#14	#14

ABBREVIATIONS		BAR MARK SIZE EQUIVALENT	
		Imperial	Soft Metric
ADD.	= Additional	#3	#10
B.O.W.	= Bottom of wall	#4	#13
C.B.	= Corner Bars	#5	#16
DIAG.	= Diagonal	#6	#19
D.O.	= Door Opening	#7	#22
DWLS.	= Dowels	#8	#25
E.F.	= Each Face	#9	#29
E.S.	= Each Side	#10	#32
E.W.	= Each Way	#11	#36
FTG.	= Footing		
F.F.	= Far Face		
HORIZ.	= Horizontal		
I.F.	= Inside Face		
INTERS.	= Intersection		
L.W.	= long Way		
N.F.	= Near Face		
O.F.	= Outside Face		
S.W.	= Short Way		
T&B	= Top & Bottom		
T.O.W.	= Top of Wall		
Trans.	= Transverse		
VERT.	= Vertical		

**STA PHARMACEUTICAL MIDDLETOWN EXPANSION DP-1**  
 DP-1 BUILDING SECTOR 3 CONTINUOUS FOOTING & WALL DOWEL REINFORCEMENT DETAILS  
**MIDDLETOWN, DE 19709**

CUSTOMER: -  
 DESIGNER: -

REV NO	DATE	APPROVAL	SENT FOR	REV NO	DATE	SENT FOR
0	08.18.22					

DRAWN BY	DATE	JOB NO	SHEET NO.
JSN/MET	08.18.22	-	R20