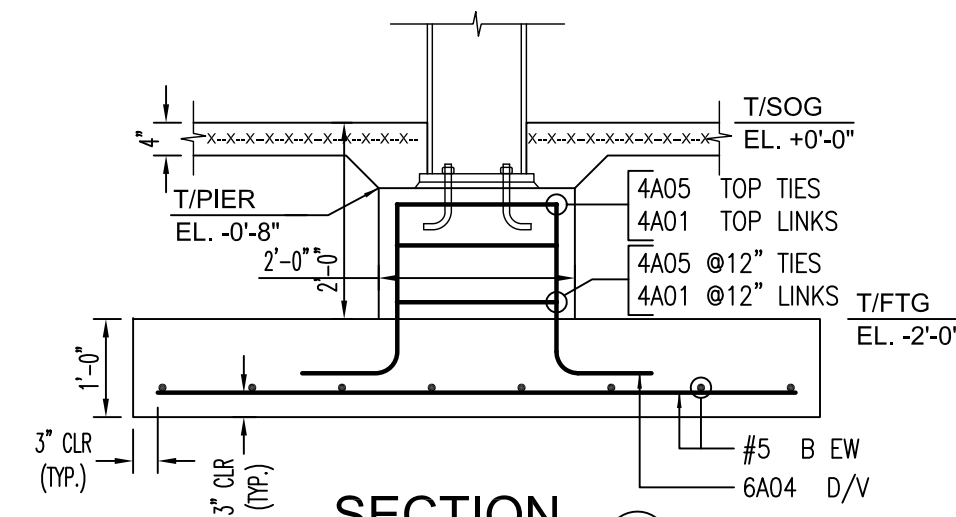


MATCHLINE A-A

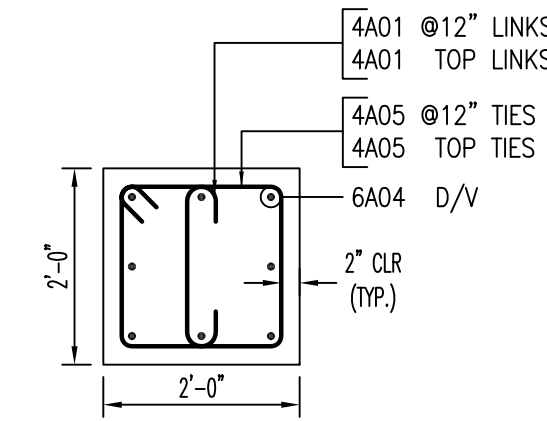
MATCHLINE A-A

FOUNDATION REINFORCEMENT DETAILS PART-A

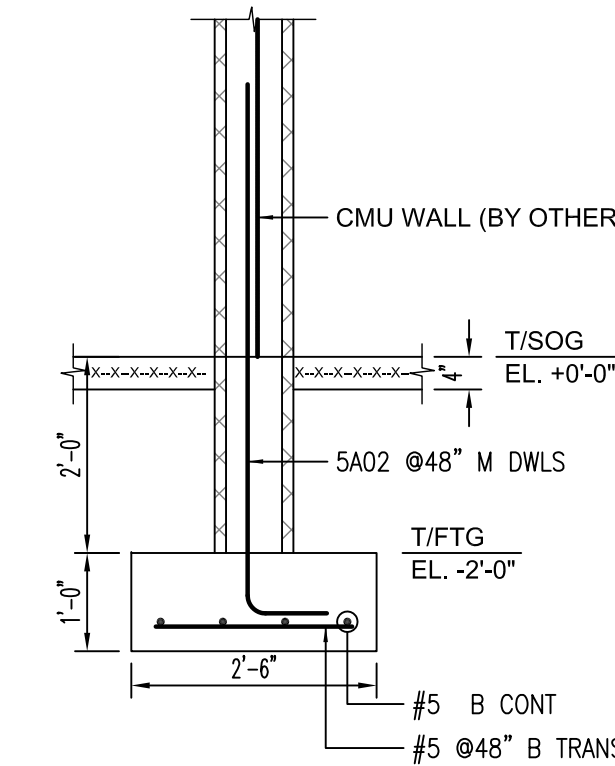
SCALE: 1/8"=1'-0"
REF: S101



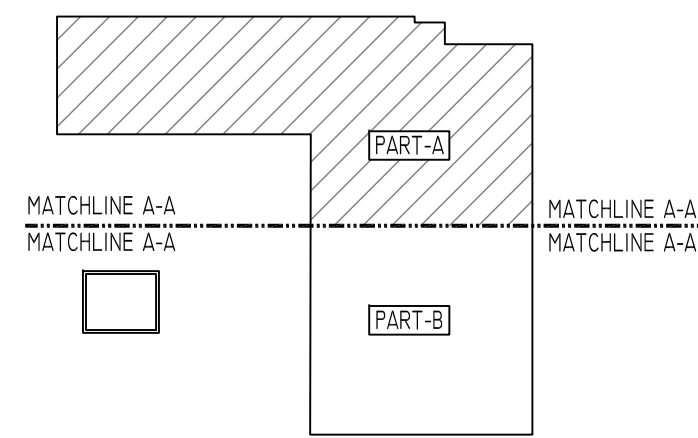
SECTION 1
SCALE: 1/2"=1'-0"
REF: S101 & 11/S503



PLAN VIEW
SCALE: 1/2"=1'-0"
REF: S101 & 11/S503

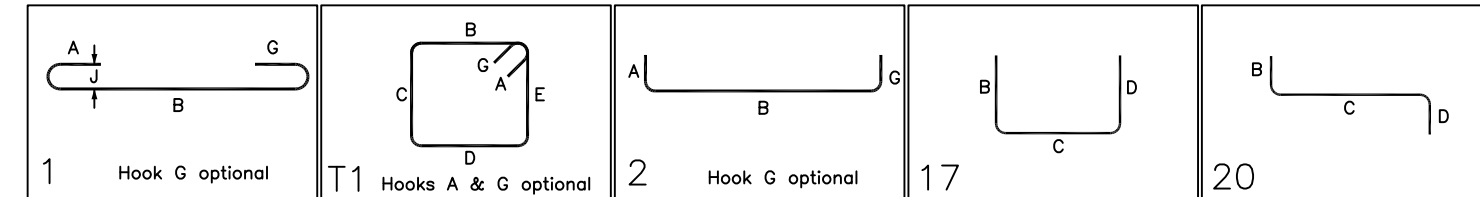


SECTION 2
SCALE: 1/2"=1'-0"
REF: S101 & 5/S501



AREA KEY PLAN
SCALE: NTS

Bar Mark	Qty	Size	Total Length	Type	X	Y	X	Y	X	Y	X	Y
4A01	108	#4	7'-8"	1	0'-6"	1'-8"	1'-8"	1'-8"	0'-6"	0'-6"	0'-6"	0'-6"
4A05	108	#4	7'-8"	1	0'-6"	1'-8"	1'-8"	1'-8"	0'-6"	0'-6"	0'-6"	0'-6"
5A01	33	#5	3'-3"	2	0'-10"	2'-5"						
5A02	322	#5	6'-3"	2	0'-10"	5'-5"						
5A10	20	#5	6'-4"	17	3'-2"	3'-2"						
5A11	12	#5	6'-8"	20	2'-8"	3'-4"	2'-8"					
6A01	152	#6	3'-9"	2	1'-0"	2'-9"						
6A02	8	#6	3'-5"	2	1'-0"	2'-5"						
6A03	32	#6	3'-1"	2	1'-0"	2'-1"						
6A04	98	#6	2'-9"	2	1'-0"	1'-9"						



SIZE	3500 PSI
#3	21"
#4	28"
#5	35"
#6	42"
#7	51"
#8	61"
#9	72"

SIZE	4500 PSI
#3	19"
#4	24"
#5	31"
#6	37"
#7	47"
#8	57"
#9	68"

SIZE	2500 PSI
#3	18"
#4	24"
#5	30"
#6	36"
#7	46"
#8	56"
#9	67"

LOCATION	MIN. COVER
FOOTINGS AGAINST EARTH/SIDE	3" CLR
FOOTING TOP	2" CLR
PIER	2" CLR

ALL BARS IN THIS DRAWING
ASTM A615 GRADE 60
BLACK UNCOATED

MARK	SIZE	T/FTG	QTY.	GRID LOCATION	REINFORCEMENT	REMARKS
F4.OX4.0	4'-0" X 4'-0" X 1'-0"	EL. -2'-0"	4	(C/8.5, 9 & 10, D/8.5)	4x2x5 #5 X 3'-6" B EW	
F5.OX5.0	5'-0" X 5'-0" X 1'-0"	EL. -2'-0"	5	(A.1/9.8, A.1/8.7, A.1/8 & B/9, B/10)	5x2x6 #5 X 4'-6" B EW	
F7.OX7.0	7'-0" X 7'-0" X 1'-0"	EL. -2'-0"	2	(E/8, & E/10)	2x2x8 #5 X 6'-6" B EW	
F8.OX8.0	8'-0" X 8'-0" X 1'-0"	EL. -2'-0"	1	(D/10)	2x7 #6 X 7'-6" B EW	
F11.OX11.0	11'-0" X 11'-0" X 1'-4"	EL. -2'-0"	2	(E/8 & B/1)	2x2x11 #6 X 10'-6" B EW	
F12.OX12.0	12'-0" X 12'-0" X 1'-4"	EL. -2'-0"	2	(B/8 & C/8)	2x2x13 #6 X 11'-6" B EW	
F12.5X12.5	12'-6" X 12'-6" X 1'-8"	EL. -2'-0"	1	(D/1)	2x13 #6 X 12'-0" B EW	
F16.OX16.0	16'-0" X 16'-0" X 2'-0"	EL. -2'-0"	7	(D/2, D/3, D/4, D/5, D/6, D/7 & D/8)	7x2x20 #6 X 15'-6" B EW	
F25.OX15.0	25'-0" X 15'-0" X 2'-0"	EL. -2'-0"	6	(A/2, A/3, A/4, A/5, A/6 & A/7)	6x20 #6 X 20'-0" B EW 6x20 #6 X 8'-0" B EW 6x30 #6 X 14'-6" B SW	

MARK	SIZE	QTY.	ELEVATION		GRID LOCATION	REINFORCEMENT	REMARKS
			T.O.F	T.O.P			
P1	2'-0" X 2'-0"	12	EL. -2'-0"	EL. -0'-8"	C/8.5, C/9, C/10, D/8.5, A.1/9.8, A.1/8.7, A.1/8, B/9, B/10, D/10, E/6, & E/10)	12x8 #6 6A04 D/V 12x1 #4 4A05 #12" TIES 12x1 #4 4A01 #12" LINKS 12x2 #4 4A05 TOP TIES 12x2 #4 4A01 TOP LINKS	
P1A	2'-0" X 2'-0"	2	EL. -2'-0"	EL. -0'-8"	(E/8, B/1, B/8 & C/8)	4x8 #6 6A03 D/V 4x1 #4 4A05 #12" TIES 4x1 #4 4A01 #12" LINKS 4x2 #4 4A05 TOP TIES 4x2 #4 4A01 TOP LINKS	
P1B	2'-0" X 2'-0"	1	EL. -2'-0"	EL. -0'-8"	(D/1)	8 #6 6A02 D/V 1 #4 4A05 #12" TIES 1 #4 4A01 #12" LINKS 2 #4 4A05 TOP TIES 2 #4 4A01 TOP LINKS	
P1D	2'-0" X 2'-0"	19	EL. -2'-0"	EL. -0'-8"	(A/2, A/3, A/4, A/5, A/6, A/7, B/2, B/3, B/4, B/5, B/6, B/7, D/2, D/3, D/4, D/5, D/6, D/7 & D/8)	19x8 #6 6A01 D/V 19x1 #4 4A05 #12" TIES 19x1 #4 4A01 #12" LINKS 19x2 #4 4A05 TOP TIES 19x2 #4 4A01 TOP LINKS	

Abbreviations:
I.F.=Inside Face
O.F.=Outside Face
E.F.=Each Face
DWL=Dowel
V=Vertical
H=Horizontal
C.B.=Corner Bar
S.DWL=Slab Dowel
E.W.=Each Way
B.BOT=Bottom
T=Top
MDWL=Masonry Dowel
B.B.=Bond Beam
ALT: Alternate
Approx: Approximate

OPNG=Opening
BAL: Balance
BTW=Between
CJ=Construction Joint
CLR: CLEARANCE
CMU=Concrete Masonry Unit
CONT.=Continuous
EA.=Each
Elev.=Elevation
EMB=Embedment
SW=Short Way
LW=Long Way
(BL)=Black Bar
(EP)=Epoxy Bar
(GA)=Galvanized

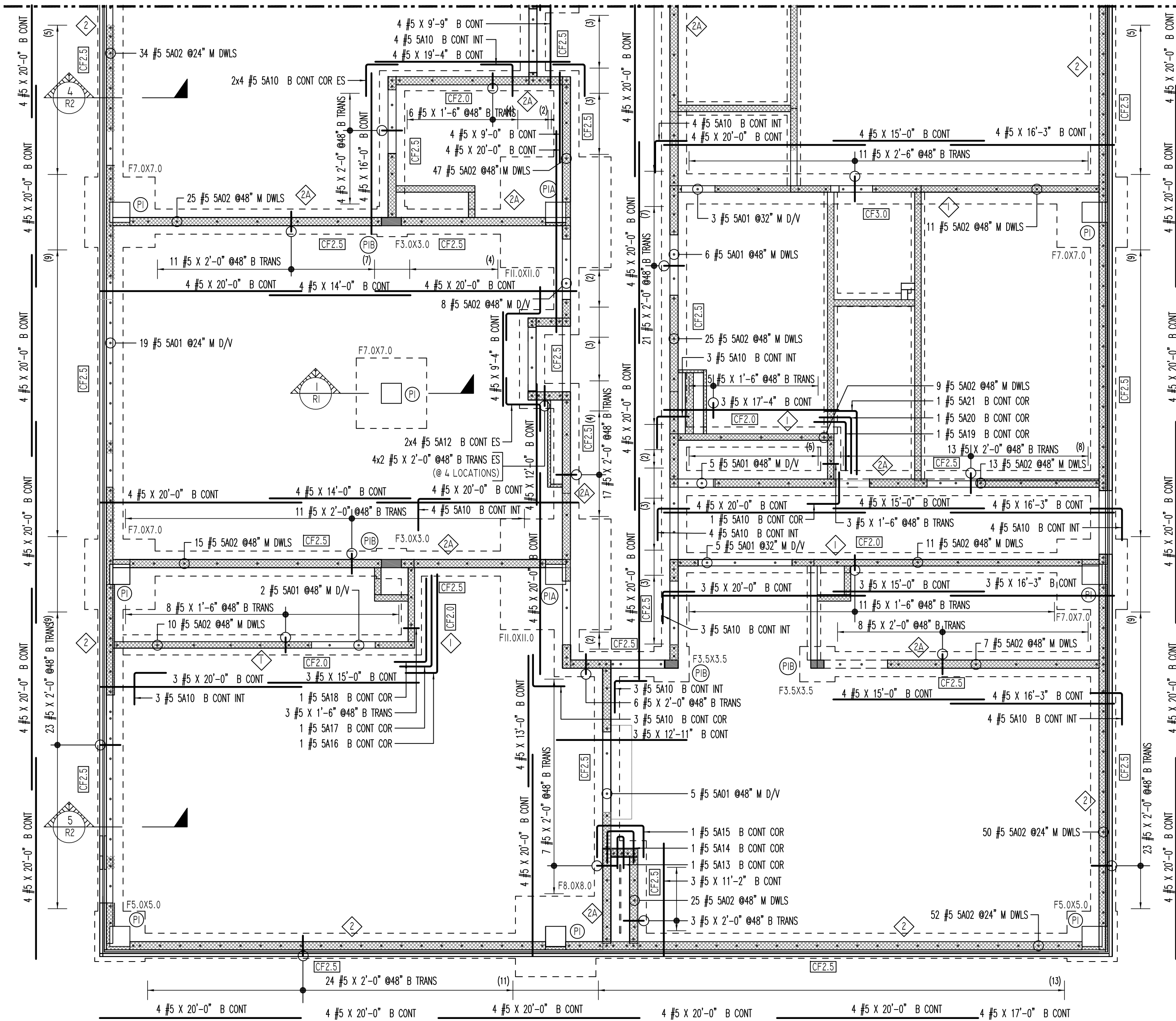
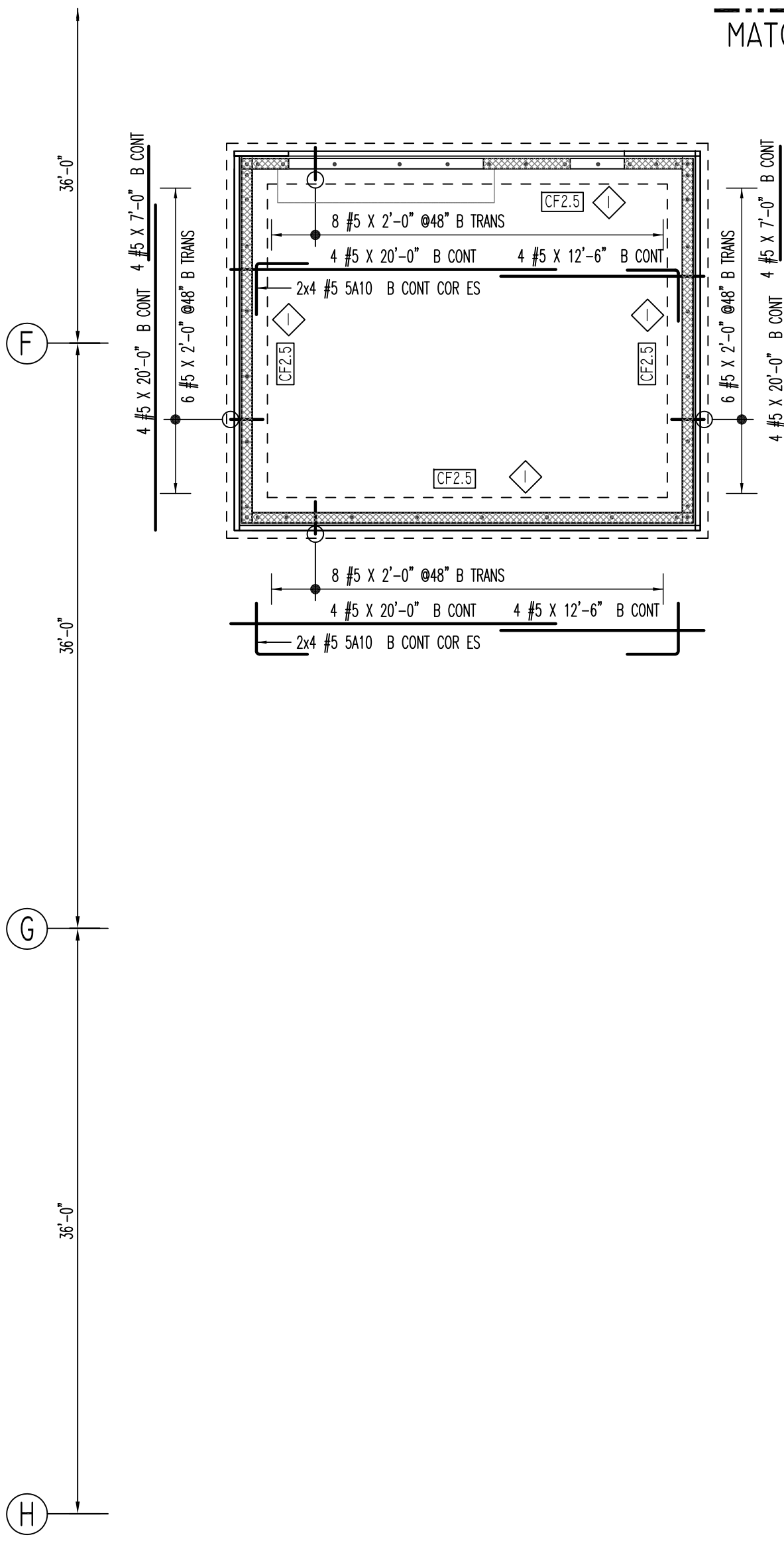
NOTICE
Shortages, improper fabrication or claims for any other reason must be reported to this company within a period of 15 days of delivery. This company reserves the right to field inspect prior to replacement or reconditioning of nonconforming material, and will not honor charges for work done in the field without specific authorization from this company.

REINFORCING STEEL PLACING DRAWINGS ONLY USE IN CONJUNCTION WITH CONTRACT DRAWINGS & SPECIFICATIONS. ELEVATIONS & DIMENSIONS SHOWN ON THIS DRAWING ARE FOR DETAILING PURPOSES ONLY AND SHOULD NOT BE USED FOR CONSTRUCTION UNLESS VERIFIED BY ENGINEER OR CONTRACTOR.

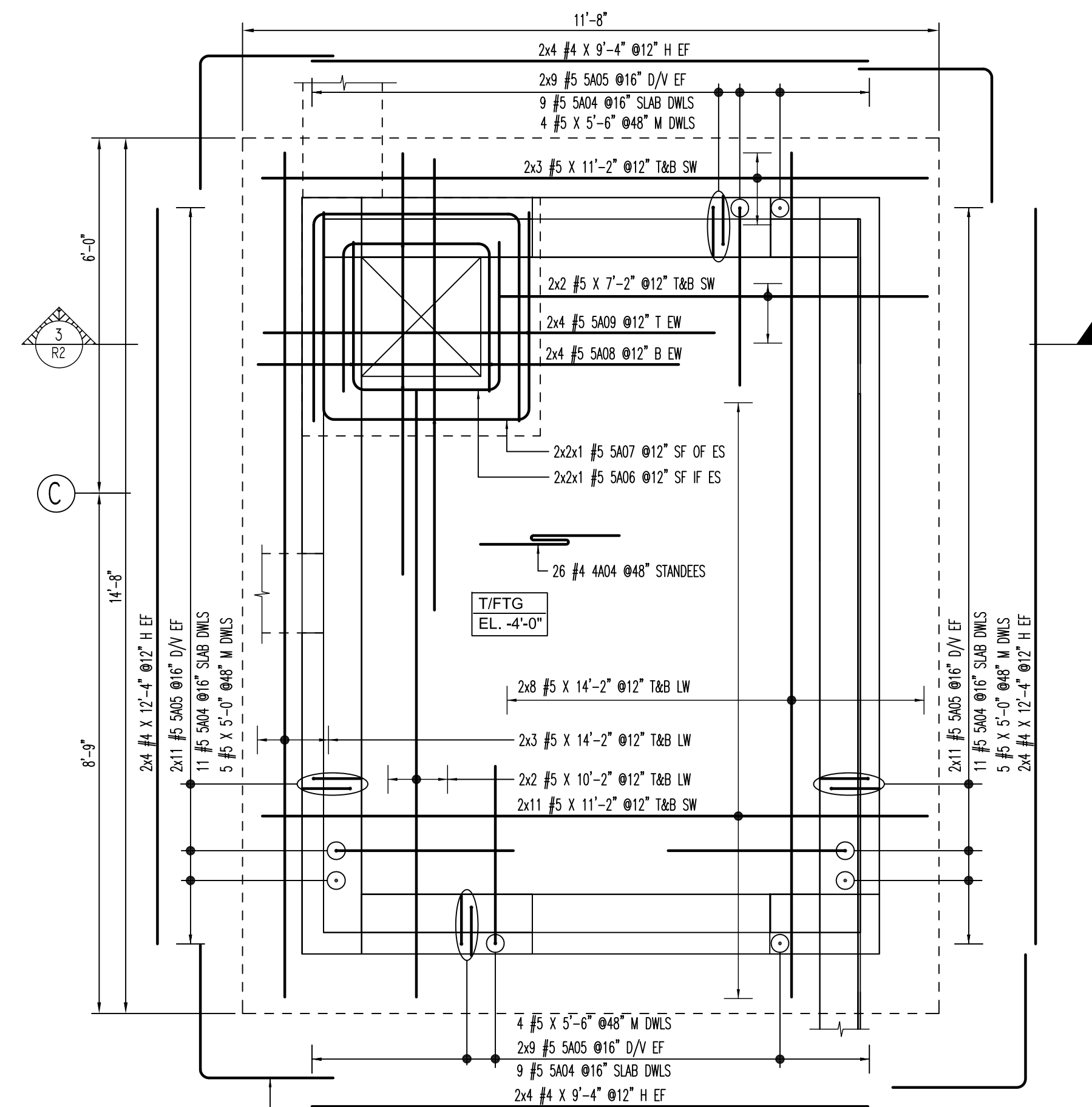
REVISION MARK	REVISION DETAILS	DATE
0	FOR APPROVAL	06/04/2021

PROJECT	WORWIC COMMUNITY COLLEGE APPLIED APPLIED TECHNOLOGY BUILDING		
LOCATION	32000 CAMPUS DRIVE, SALISBURY, MARYLAND 21804		
ARCHITECT	BECKER MORGAN GROUP		
ENGINEER	BECKER MORGAN GROUP		
CUSTOMER	-		
DRAWN BY:	MRS	DATE:	06/04/21
REVIEWED BY:	T/L	JOB NO.:	-
DRAWING TITLE:	FOUNDATION REINFORCEMENT DETAILS PART-A		DRAWING NO.:
			R1

MATCHLINE A-A



MATCHLINE A-A



DETAIL-A
SCALE - 1/2"=1'-0"
REF: A15501 & 12/5507

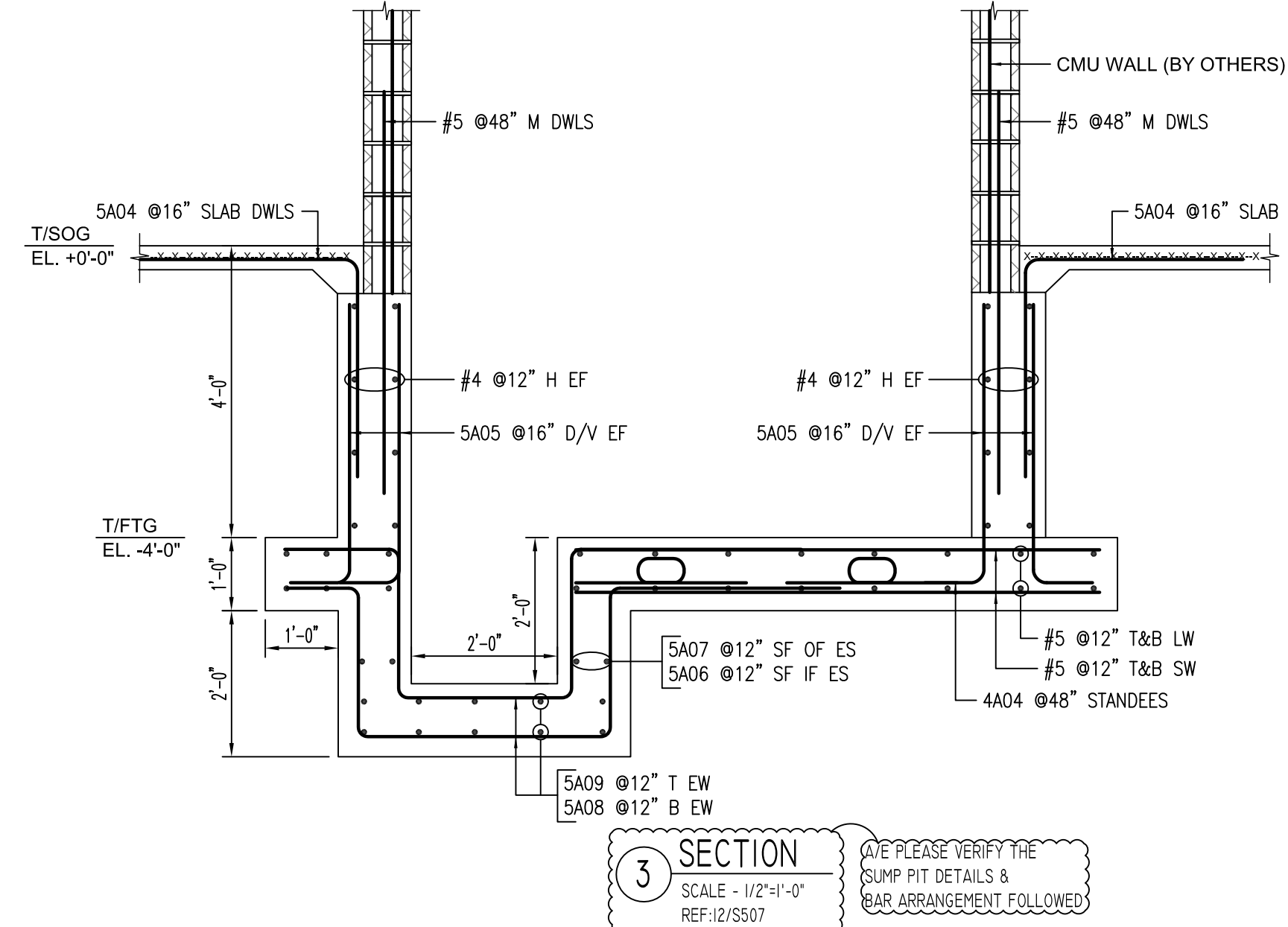
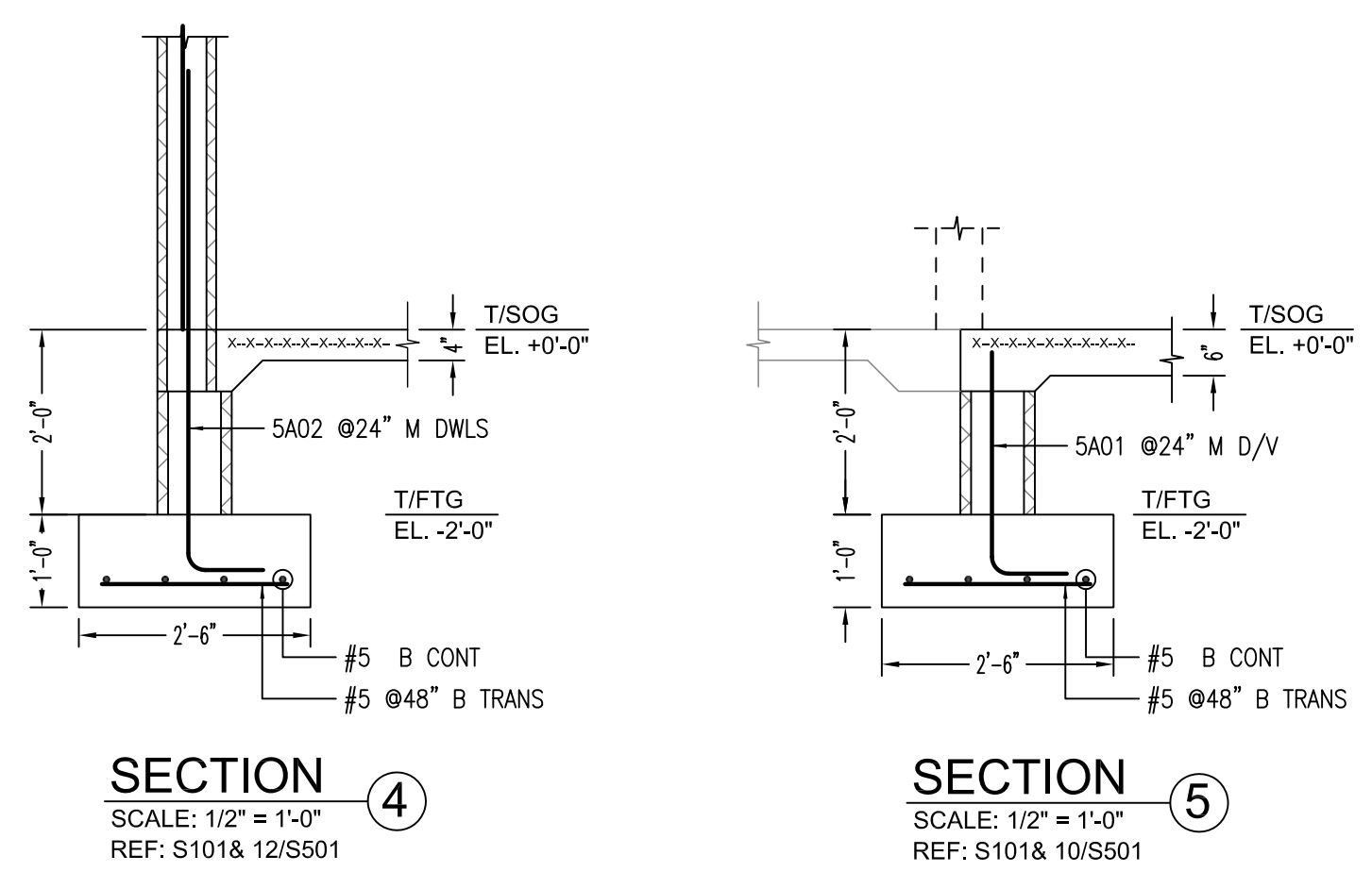
FOUNDATION REINFORCEMENT DETAILS PART-B

SCALE - 1/8"=1'-0"
REF: S101

Bar Mark	Qty	Size	Total Length	Type	X	Y	W	W	W	W	W	W
4A01	42	#4	2'-8"	1	0'-4"	1'-8"	0'-4"	0'-4"	0'-4"	0'-4"	0'-4"	0'-4"
4A02	12	#4	5'-1"	11	0'-4 1/2"	0'-4 1/2"	1'-8"	0'-4 1/2"	1'-8"	0'-4 1/2"	0'-4 1/2"	0'-4 1/2"
4A03	32	#4	4'-6"	17	2'-3"	2'-3"	0'-4 1/2"	0'-4 1/2"	0'-4 1/2"	0'-4 1/2"	0'-4 1/2"	0'-4 1/2"
4A04	26	#4	4'-5"	25	1'-6"	0'-4 1/2"	0'-8"	0'-4 1/2"	1'-6"	0'-4 1/2"	0'-4 1/2"	0'-2 1/2"
4A05	30	#4	7'-5"	11	0'-4 1/2"	1'-8"	1'-8"	1'-8"	0'-4 1/2"	0'-4 1/2"	0'-4 1/2"	0'-4 1/2"
5A01	45	#5	3'-3"	2	0'-10"	2'-5"	0'-10"	0'-10"	0'-10"	0'-10"	0'-10"	0'-10"
5A02	342	#5	6'-3"	2	0'-10"	5'-5"	0'-10"	0'-10"	0'-10"	0'-10"	0'-10"	0'-10"
5A03	16	#5	2'-2"	2	0'-10"	1'-2"	0'-10"	0'-10"	0'-10"	0'-10"	0'-10"	0'-10"
5A04	40	#5	6'-0"	17	3'-0"	3'-0"	3'-0"	3'-0"	3'-0"	3'-0"	3'-0"	3'-0"
5A05	80	#5	4'-8"	2	0'-10"	3'-10"	0'-10"	0'-10"	0'-10"	0'-10"	0'-10"	0'-10"
5A06	4	#5	7'-8"	17	2'-6"	2'-6"	2'-6"	2'-6"	2'-6"	2'-6"	2'-6"	2'-6"
5A07	4	#5	10'-8"	17	3'-6"	3'-6"	3'-6"	3'-6"	3'-6"	3'-6"	3'-6"	3'-6"
5A08	8	#5	11'-4"	54	1'-7"	2'-1"	2'-5"	2'-1"	3'-2"	3'-2"	3'-2"	3'-2"
5A09	8	#5	11'-10"	54	1'-0"	2'-1"	3'-6"	2'-1"	3'-2"	3'-2"	3'-2"	3'-2"
5A10	64	#5	6'-4"	17	3'-2"	3'-2"	3'-2"	3'-2"	3'-2"	3'-2"	3'-2"	3'-2"
5A12	8	#5	8'-8"	20	2'-8"	3'-5"	2'-8"	3'-2"	3'-2"	3'-2"	3'-2"	3'-2"
5A13	1	#5	7'-0"	17	3'-2"	0'-8"	3'-2"	3'-2"	3'-2"	3'-2"	3'-2"	3'-2"
5A14	1	#5	9'-0"	17	3'-2"	2'-8"	3'-2"	3'-2"	3'-2"	3'-2"	3'-2"	3'-2"
5A15	1	#5	11'-0"	17	3'-2"	4'-8"	3'-2"	3'-2"	3'-2"	3'-2"	3'-2"	3'-2"
5A16	1	#5	13'-0"	17	3'-2"	9'-10"	3'-2"	3'-2"	3'-2"	3'-2"	3'-2"	3'-2"
5A17	1	#5	12'-3"	17	3'-2"	9'-1"	3'-2"	3'-2"	3'-2"	3'-2"	3'-2"	3'-2"
5A18	1	#5	11'-6"	17	3'-2"	6'-4"	3'-2"	3'-2"	3'-2"	3'-2"	3'-2"	3'-2"
5A19	1	#5	8'-0"	17	3'-2"	4'-10"	3'-2"	3'-2"	3'-2"	3'-2"	3'-2"	3'-2"
5A20	1	#5	8'-8"	17	3'-2"	5'-7"	3'-2"	3'-2"	3'-2"	3'-2"	3'-2"	3'-2"
5A21	1	#5	9'-6"	17	3'-2"	6'-4"	3'-2"	3'-2"	3'-2"	3'-2"	3'-2"	3'-2"
6A03	16	#6	3'-1"	2	1'-0"	2'-1"	1'-0"	1'-0"	1'-0"	1'-0"	1'-0"	1'-0"
6A04	64	#6	2'-9"	2	1'-0"	1'-8"	1'-0"	1'-0"	1'-0"	1'-0"	1'-0"	1'-0"

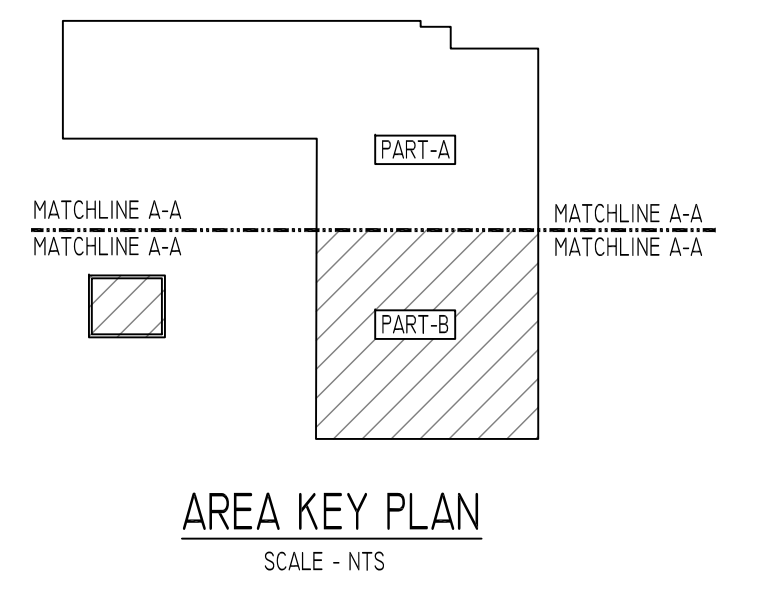
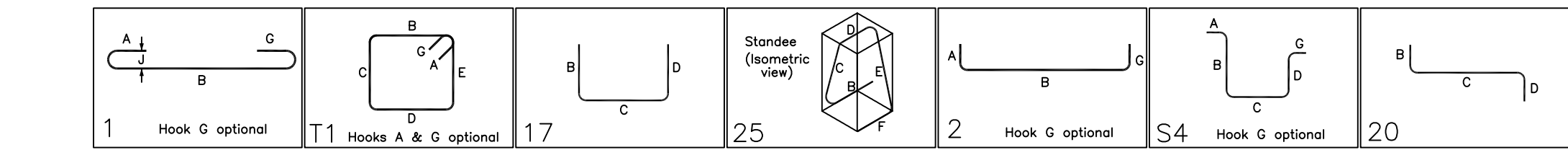
SIZE	3500 PSI	4500 PSI	2500 PSI
#3	21"	19"	18"
#4	28"	24"	24"
#5	35"	31"	30"
#6	42"	37"	36"
#7	75"	67"	68"
#8	86"	76"	78"
#9	97"	85"	

LOCATION	MIN. COVER
FOOTINGS AGAINST EARTH/SIDE	3" CLR
FOOTING TOP	2" CLR
PIER	2" CLR



SECTION 3
SCALE - 1/2"=1'-0"
REF: 12/5507

ALL BARS IN THIS DRAWING
ASTM A615 GRADE 60
BLACK UNCOATED



Abbreviations:
I.F.=Inside Face
O.F.=Outside Face
E.F.=Each Face
DWL=Dowel
V=Vertical
H=Horizontal
C.B.=Corner Bar
S.DWL=Slab Dowel
E.W.=Each Way
B/BOT=Bottom
T=Top
MDWL=Masonry Dowel
B.B.=Bond Beam
ALT: Alternate
Approx: Approximate

OPNG=Opening
BAL: Balance
BTW=Between
CJ=Construction Joint
CLR: CLEARANCE
C.M.=Concrete Masonry Unit
CONT.=Continuous
EA.=Each
Elev.=Elevation
EMB=Embedment
SW = Short Way
LW=Long Way
(BL)=Black Bar
(EP)=Epoxy Bar
(GA)=Galvanized

NOTICE
Shortages, improper fabrication or claims for any other reason must be reported to this company within a period of 15 days of delivery. This company reserves the right to field inspect prior to replacement or reconditioning of nonconforming material, and will not honor charges for work done in the field without specific authorization from this company.

REINFORCING STEEL PLACING DRAWINGS ONLY USE IN CONJUNCTION WITH CONTRACT DRAWINGS & SPECIFICATIONS. ELEVATIONS & DIMENSIONS SHOWN ON THIS DRAWING ARE FOR DETAILING PURPOSES ONLY AND SHOULD NOT BE USED FOR CONSTRUCTION UNLESS VERIFIED BY ENGINEER OR CONTRACTOR.

REVISION MARK	REVISION DETAILS	DATE
0	FOR APPROVAL	06/04/2021

PROJECT	WORWIC COMMUNITY COLLEGE APPLIED APPLIED TECHNOLOGY BUILDING		
LOCATION	32000 CAMPUS DRIVE, SALISBURY, MARYLAND 21804		
ARCHITECT	BECKER MORGAN GROUP		
ENGINEER	BECKER MORGAN GROUP		
CUSTOMER	-		

DRAWN BY:	MRS	DATE:	06/04/21	REVIEWED BY:	T/L	JOB NO.:	-
DRAWING TITLE:	FOUNDATION REINFORCEMENT DETAILS PART-B			DRAWING NO.:	R2		