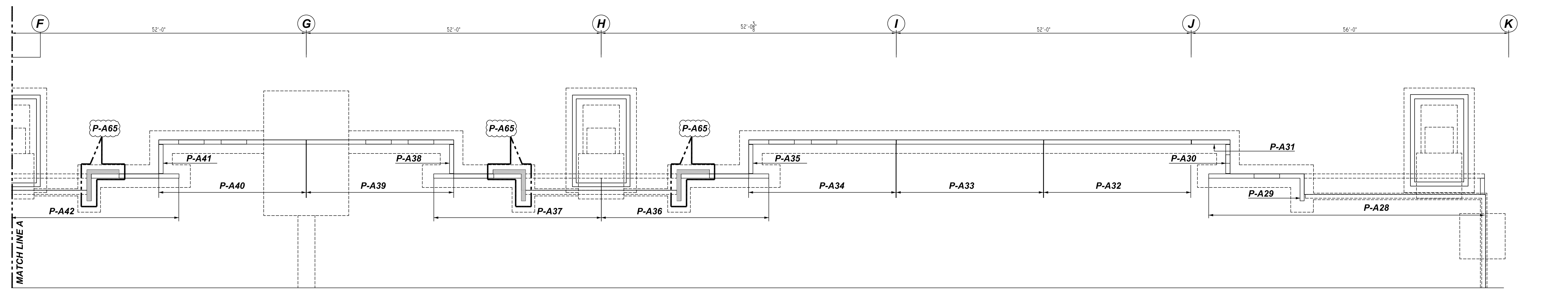


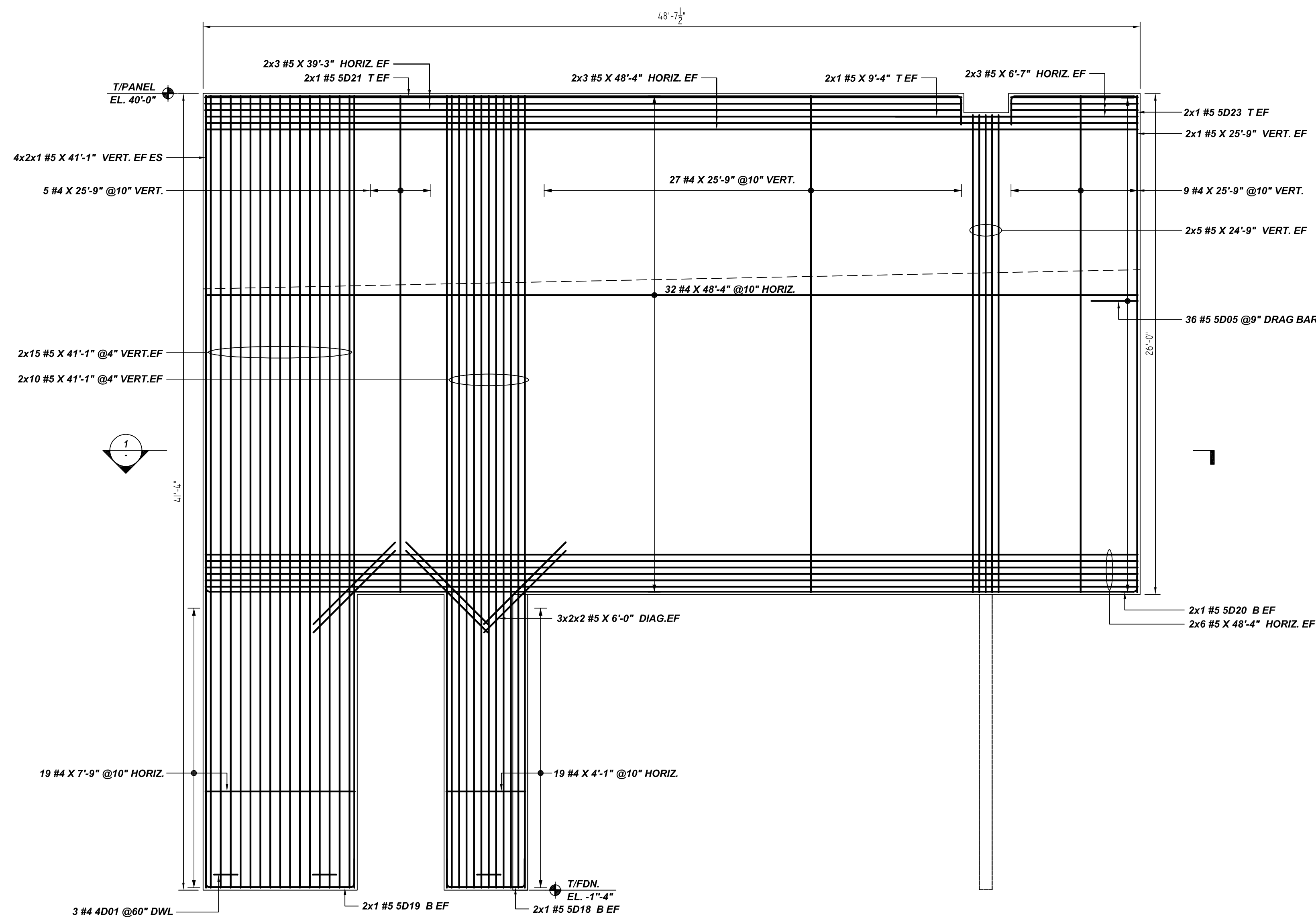
BUILDING-A PANEL KEYPLAN
 REF:SA111 (DT.02/07/22)
 SCALE: 1/8" = 1'-0"



BUILDING-A PANEL KEYPLAN
 REF:SA111 (DT.02/07/22)
 SCALE: 1/8" = 1'-0"

LEGEND
 P PANEL
FOR APPROVAL

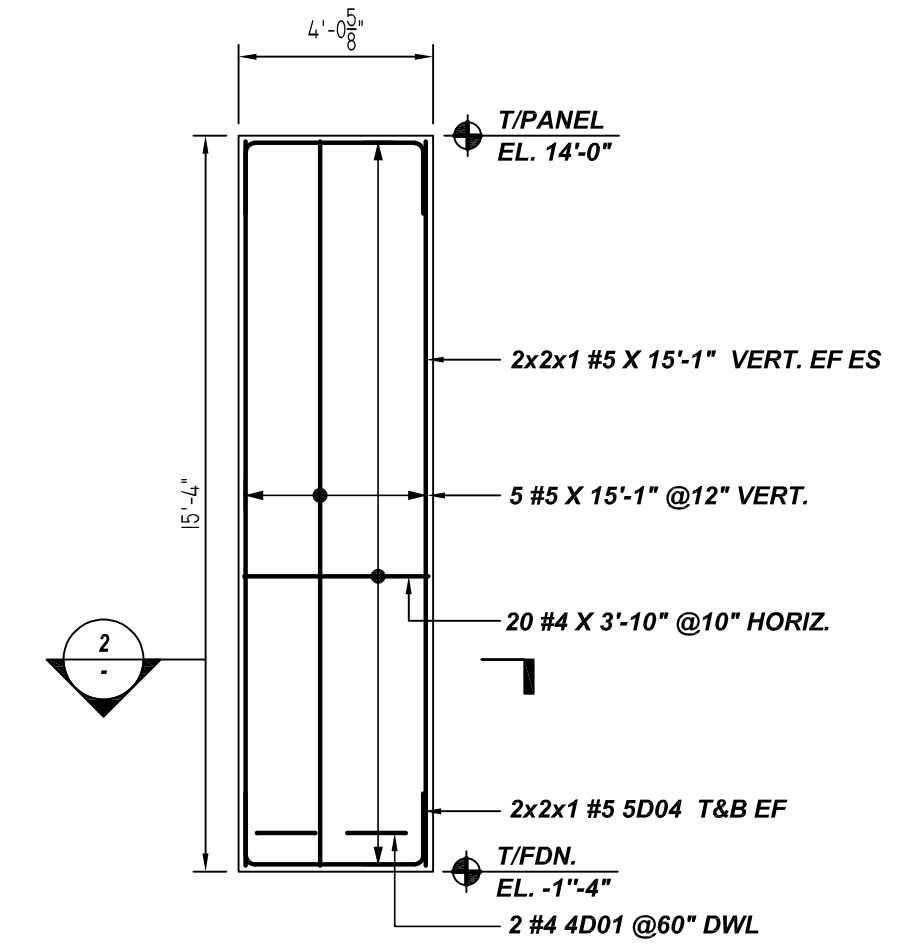
GRADE		A615/60(UNO)			
PREFIX		D			
BAR LIST NOS.					
REV	DESCRIPTION	ISSUED DATE	ISSUED FOR	STRUCTURE	BUILDING-A PANEL REINFORCEMENT DETAILS
0	IFA	09/20/2022	APPROVAL	FLOOR	A28 TO A57 PANEL (EL: -1'-4" TO 40')
				JOB NO.	-
				CUSTOMER	-
				JOB	ELLIOT_GATEWAY TECH CENTER
				LOCATION	10650 E. ELLIOT ROAD.
				DRAWN	DATE
				MRS	09/20/2022
				CONTROL CODE	-
				DWS. NO.	R20



9" THK PANEL

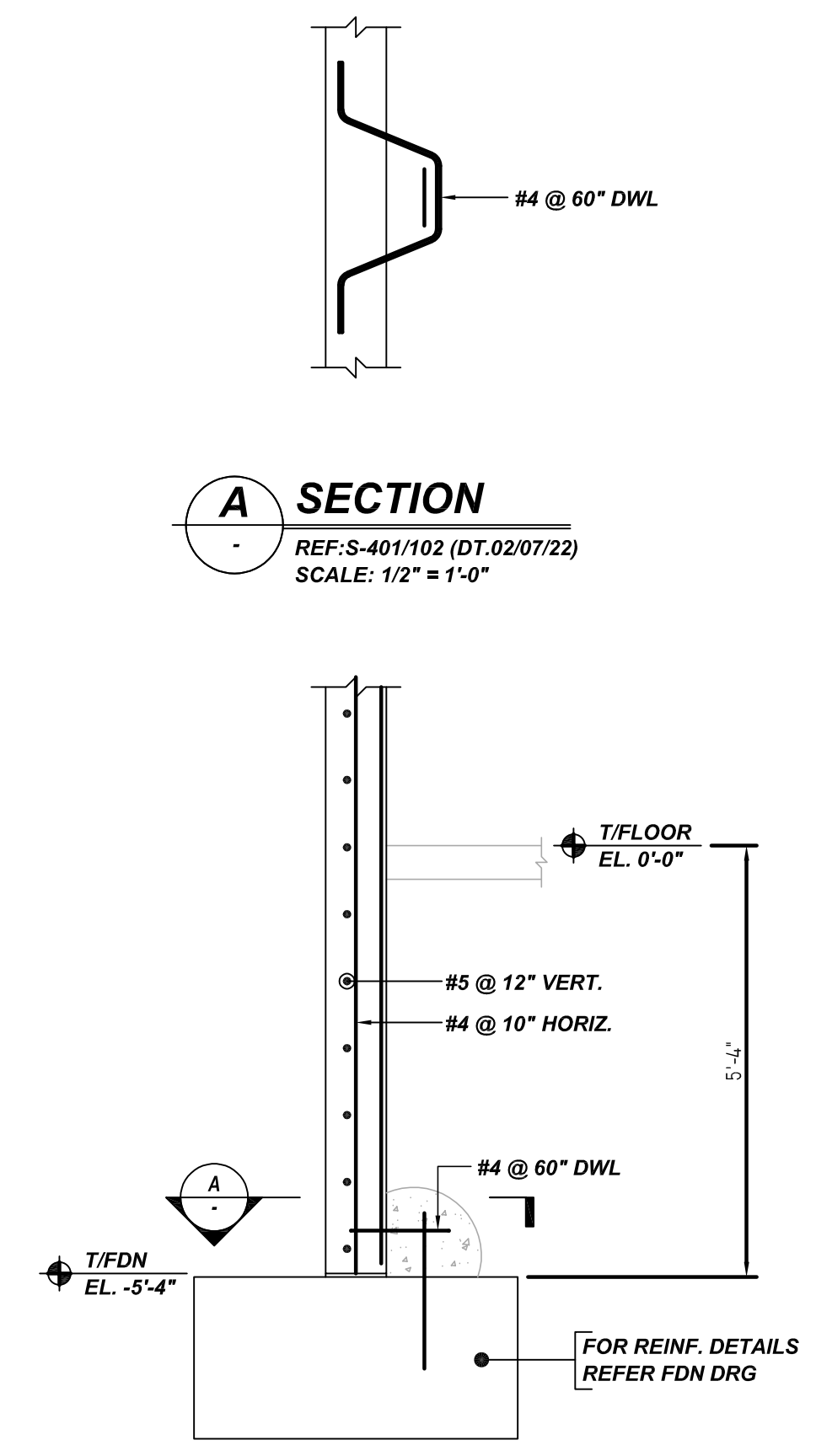
PANEL A28
REF:TYPE-15/S-306(DT.02/07/22)
REF:SA111, SA301(DT.02/07/22)
SCALE: 1/4" = 1'-0"

A/E PLEASE VERIFY STOCK LENGTH EXCEED 40'-0" PLEASE CONFIRM (TYP.)

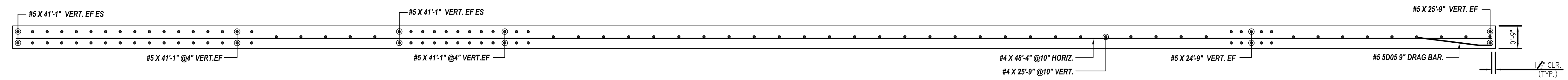


9" THK PANEL

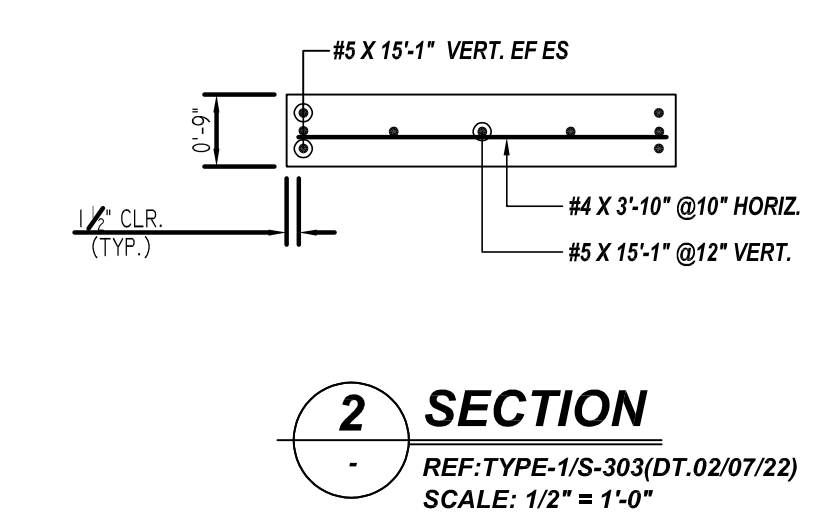
PANEL A29
REF:TYPE-1/S-303(DT.02/07/22)
REF:SA111, SA301(DT.02/07/22)
SCALE: 1/4" = 1'-0"



TYPICAL PRECAST CONCRETE PANEL AT CONCRETE FOOTING
REF:S-401/102 (DT.02/07/22)
SCALE: 1/2" = 1'-0"

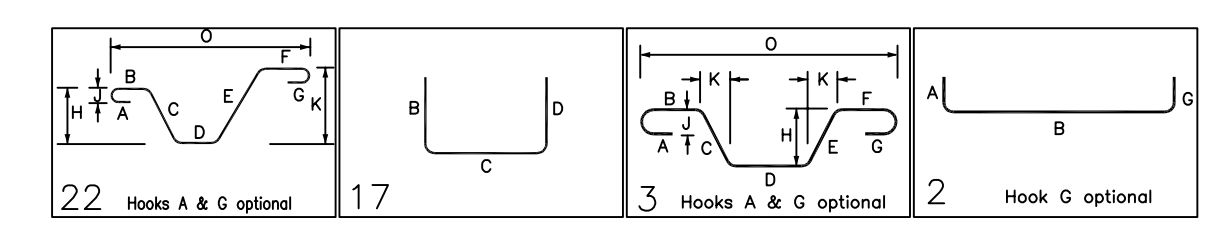


1 SECTION
REF:TYPE-15/S-306(DT.02/07/22)
SCALE: 1/2" = 1'-0"



Release Number: R21

Bar Mark	Qty	Size	Total Length	Type	X	Y	Z	W	V	U	T	S	R	Q	P	O	N	M	L	K	J	I	H	G	F	E	D	C	B	A		
4001	5	#4	5'-0 X	22		0'-8 X	1'-4	1'-0	1'-4	0'-8 X	1'-3	1'-3	1'-3	3'-3 X																		
5004	4	#5	6'-9	17		1'-6	3'-9	1'-6																								
5005	36	#5	2'-5	3		0'-5	2'-0			0'-3 X			1'-11 X	7'-4 X																		
5018	2	#5	7'-1	13		1'-6	4'-1	1'-6																								
5019	2	#5	10'-9	17		1'-6	7'-9	1'-6																								
5020	2	#5	50'-0 X	2		0'-10	48'-4 X																									
5021	2	#5	42'-3	17		1'-6	39'-3	1'-6																								
5023	2	#5	9'-7	17		1'-6	6'-7	1'-6																								



TYPICAL REINFORCING BAR CLEARANCE TABLE

LOCATION	MIN. COVER
PANEL	1 1/2" CLR

**ALL BARS IN THIS DRAWING
ASTM A615 GRADE 60
BLACK UNCOATED**

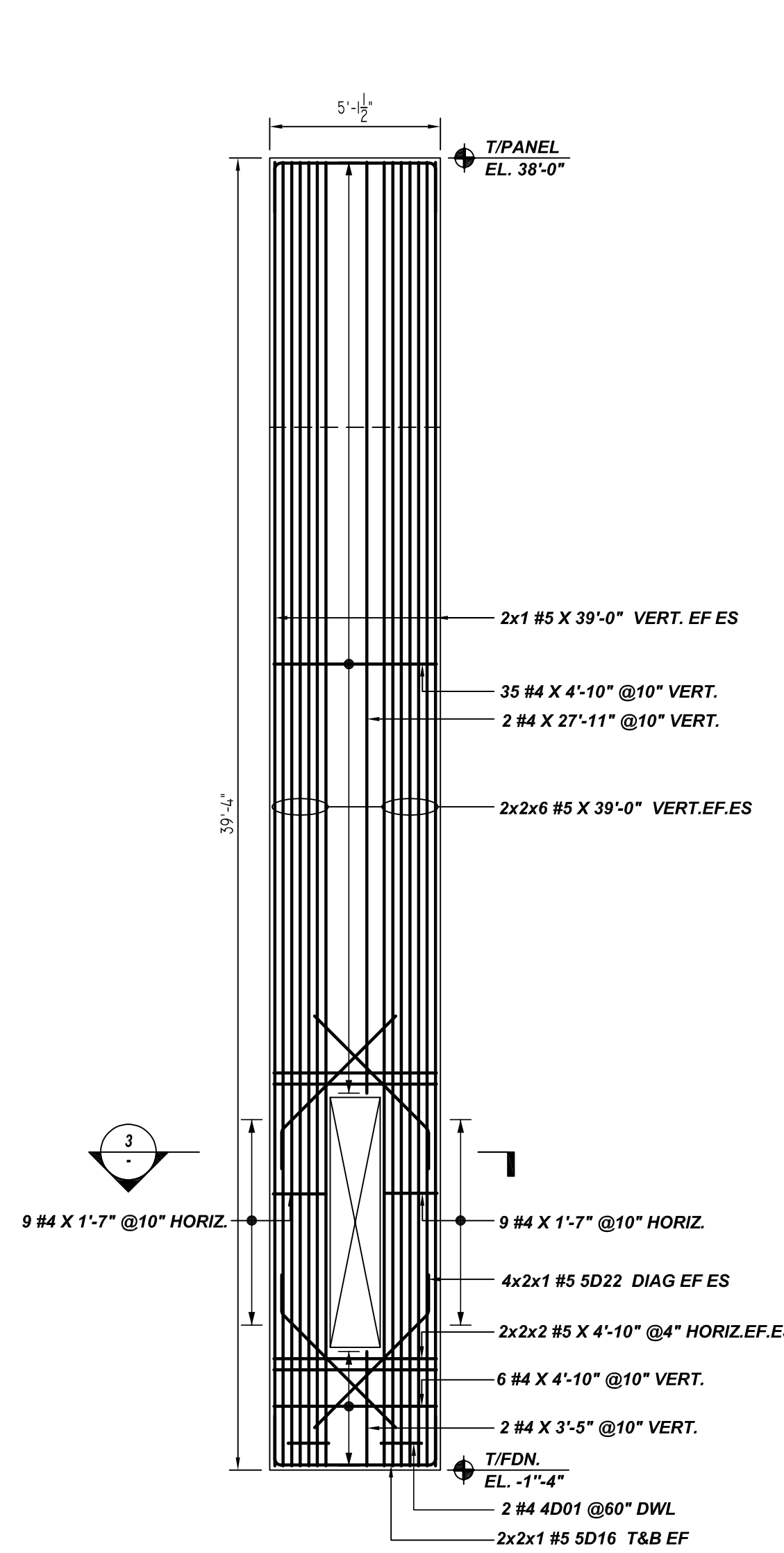
FOR APPROVAL

LAP SCHEDULE
4000 PSI (CLASS-B) CASE - 1
Per S5.01/3

BAR#	LENGTHS	
	TOP	OTHERS
#3	24"	19"
#4	33"	25"
#5	41"	31"
#6	49"	37"
#7	71"	54"
#8	81"	62"
#9	91"	70"
#10	102"	79"
#11	113"	87"

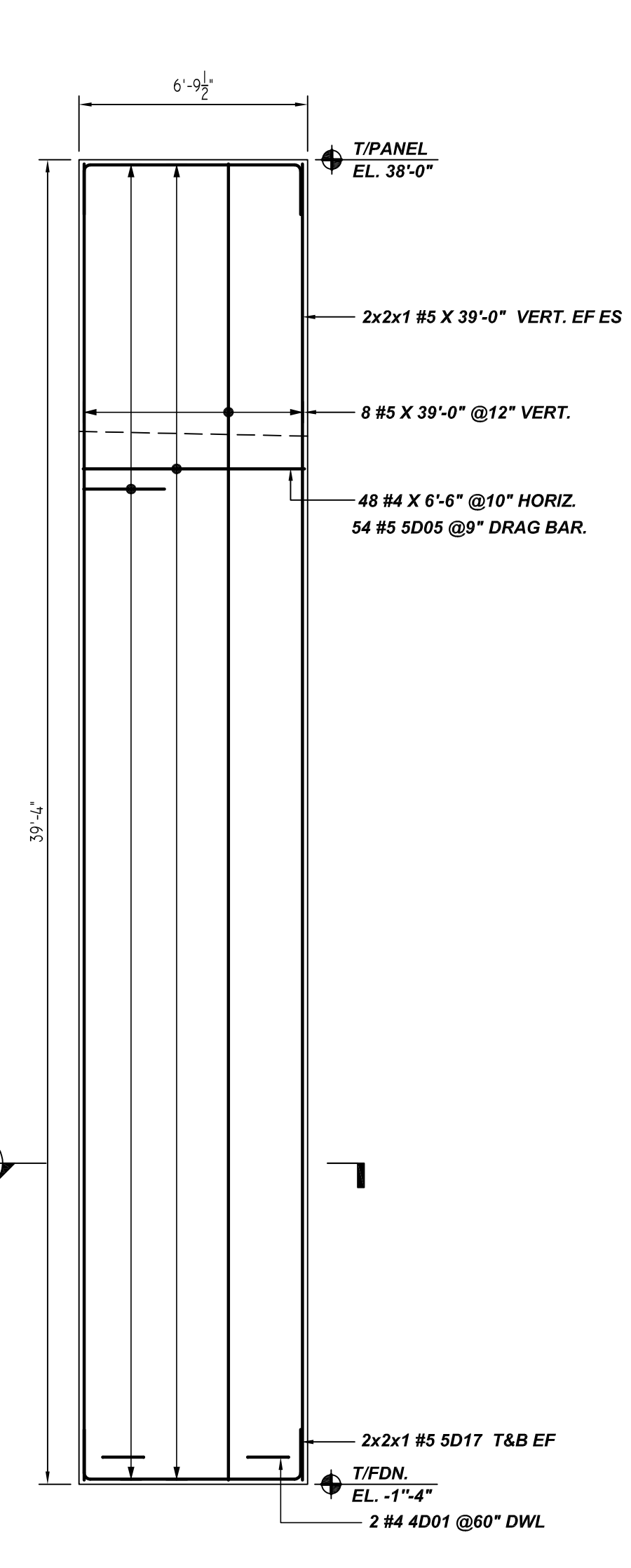
ALL TOP BARS ARE DEFINED AS HORIZ BARS WITH MORE THAN 12" OF CONCRETE BELOW BARS.

GRADE	A615/60(UNO)						
PREFIX	D						
BAR LIST NOS.							
REV	DESCRIPTION	ISSUED DATE	ISSUED FOR	STRUCTURE	BUILDING-A PANEL REINFORCEMENT DETAILS		
0	IFA	09/20/2022	APPROVAL	FLOOR	A28&A29 PANEL (EL: -1'-4" TO 4')		
				JOB NO			
				CUSTOMER			
				JOB	ELLIOT_GATEWAY TECH CENTER		
				LOCATION	10650 E. ELLIOT ROAD.		
				DRAWN	DATE	CONTROL CODE	DWS. NO.
				MRS	09/20/2022	-	R21

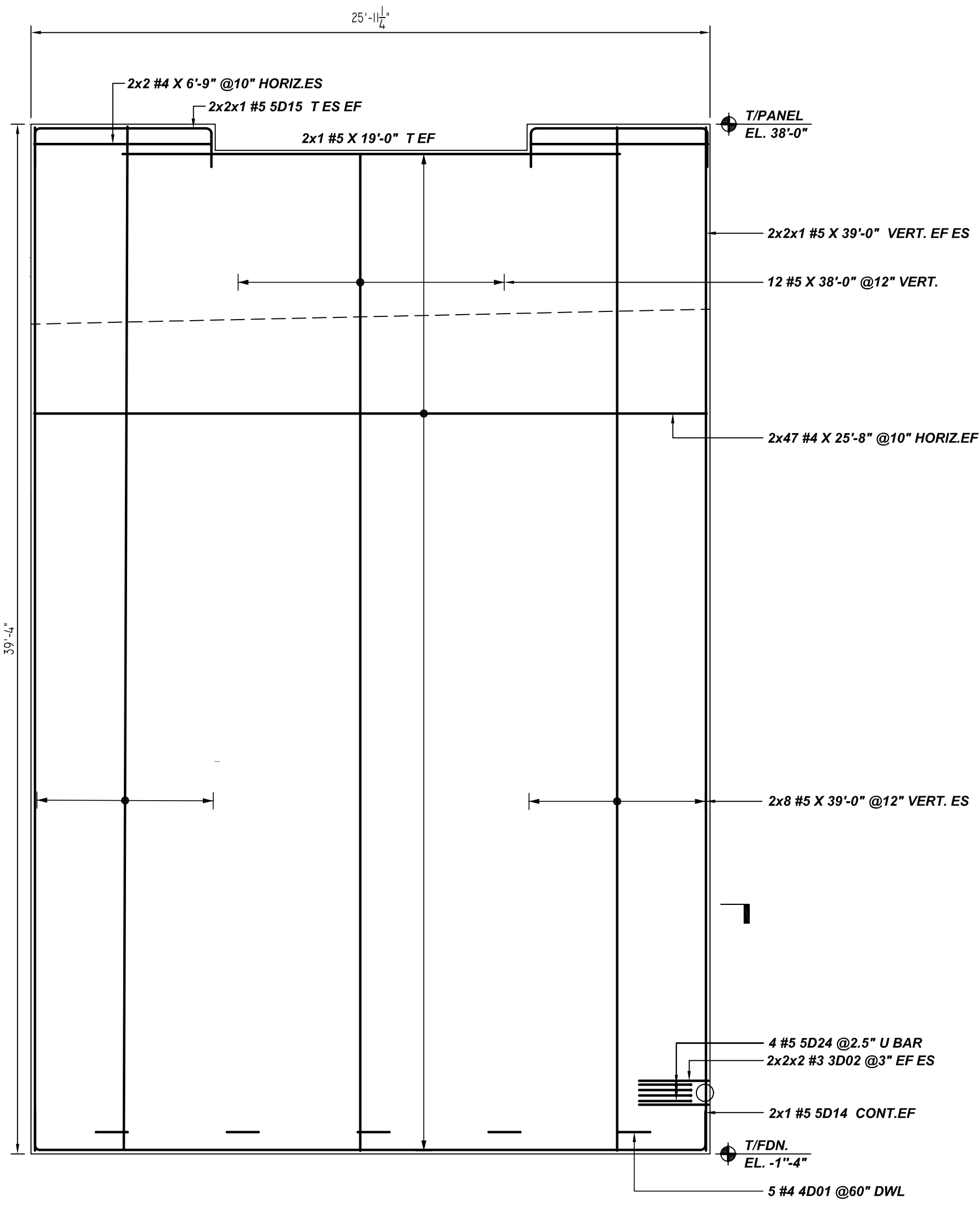


PANEL A30
 REF:TYPE-13/S-305(DT.02/07/22)
 REF:SA111, SA301(DT.02/07/22)
 SCALE: 1/4" = 1'-0"

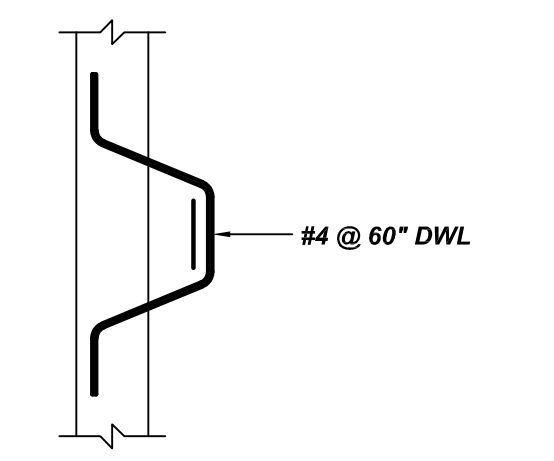
A/E PLEASE VERIFY STOCK LENGTH EXCEED 40'-0" PLEASE CONFIRM (TYP.)



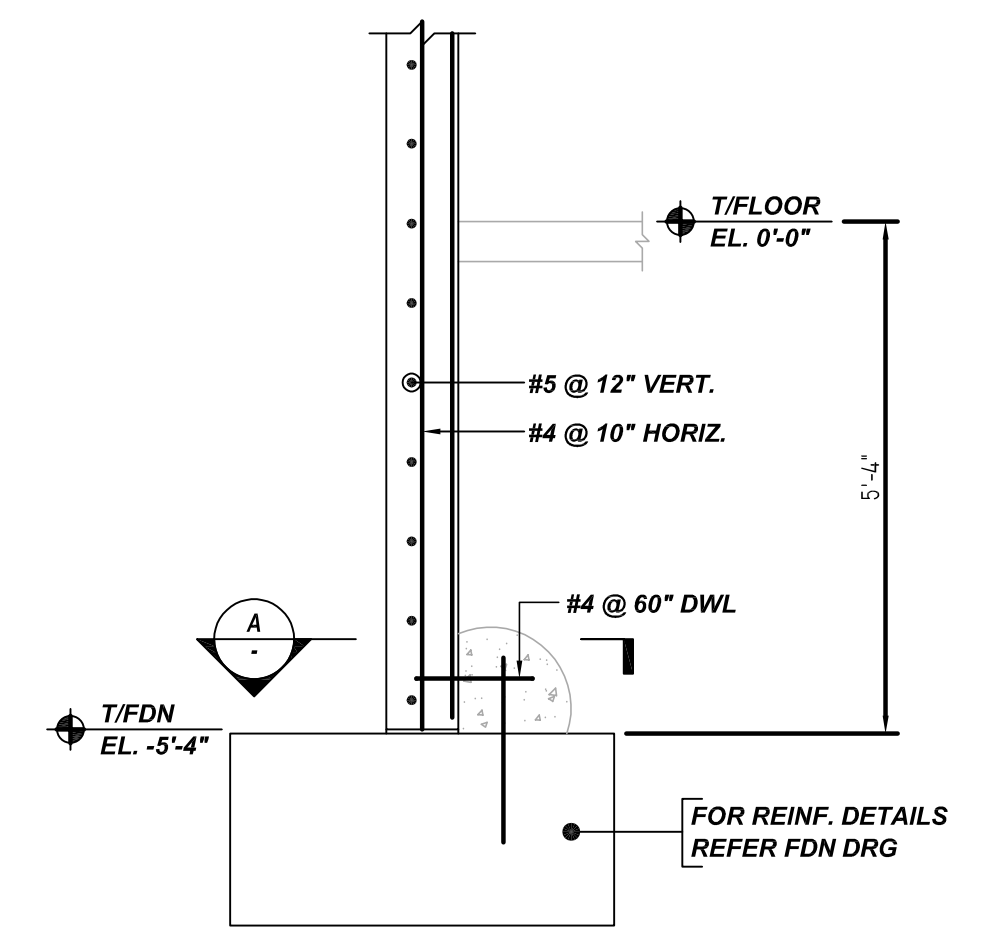
PANEL A31
 REF:TYPE-1/S-303(DT.02/07/22)
 REF:SA111, SA301(DT.02/07/22)
 SCALE: 1/4" = 1'-0"



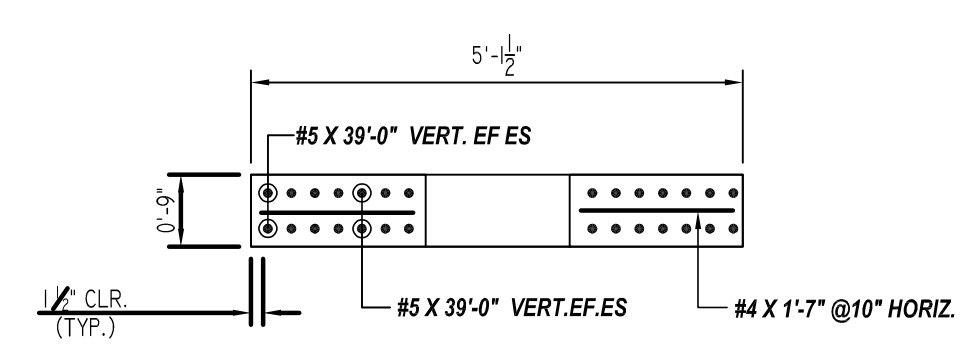
PANEL A32
 REF:TYPE-1/S-303(DT.02/07/22)
 REF:SA111, SA301(DT.02/07/22)
 SCALE: 1/4" = 1'-0"



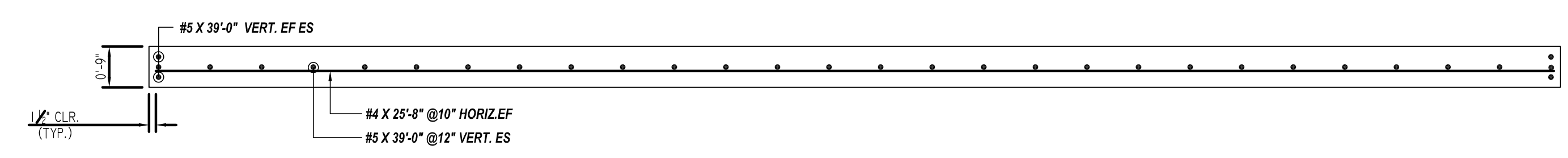
A SECTION
 REF:S-401/102 (DT.02/07/22)
 SCALE: 1/2" = 1'-0"



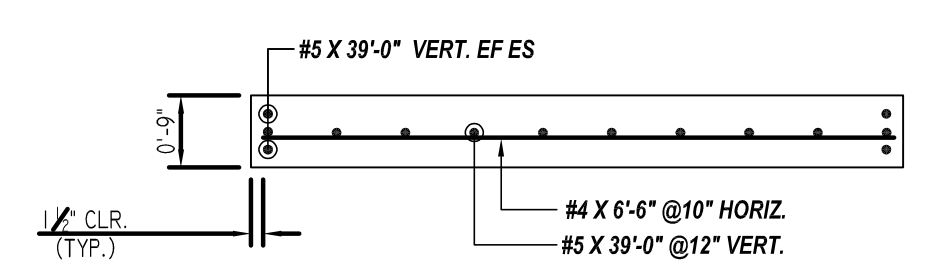
TYPICAL PRECAST CONCRETE PANEL AT CONCRETE FOOTING
 REF:S-401/102 (DT.02/07/22)
 SCALE: 1/2" = 1'-0"



3 SECTION
 REF:TYPE-13/S-305(DT.02/07/22)
 SCALE: 1/2" = 1'-0"



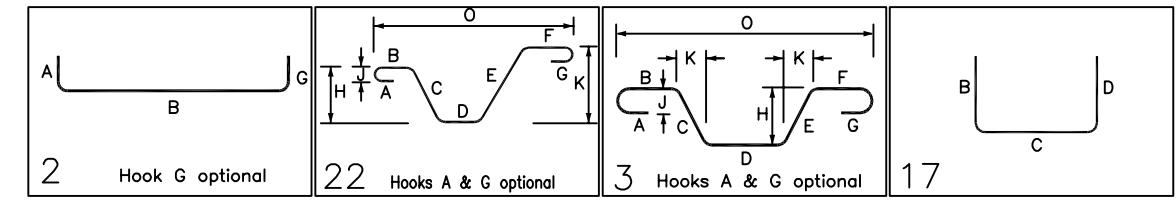
5 SECTION
 REF:TYPE-1/S-303(DT.02/07/22)
 SCALE: 1/2" = 1'-0"



4 SECTION
 REF:TYPE-1/S-303(DT.02/07/22)
 SCALE: 1/2" = 1'-0"

Release Number: R22

Bar Mark	Qty	Size	Total Length	Type	X	Y	Z	W	V	U	T	S	R	Q	P	O	N	M	L	K	J	I	H	G	F	E	D	C	B	A	
S002	8	#5	3'-1.0"	2	0'-6"																										
S001	8	#4	5'-3.0"	22	0'-8.0"																										
S005	54	#5	2'-5.0"	3	0'-5.0"																										
S014	2	#5	28'-8.0"	17	1'-6"																										
S015	4	#5	9'-9.0"	17	1'-6"																										
S016	4	#5	7'-10.0"	17	1'-6"																										
S017	4	#5	9'-3.0"	17	1'-6"																										
S022	8	#5	5'-11.0"	3	4'-10"																										
S024	4	#5	4'-6.0"	17	2'-0"																										



TYPICAL REINFORCING BAR CLEARANCE TABLE

LOCATION	MIN. COVER
PANEL	1 1/2" CLR

**ALL BARS IN THIS DRAWING
 ASTM A615 GRADE 60
 BLACK UNCOATED**

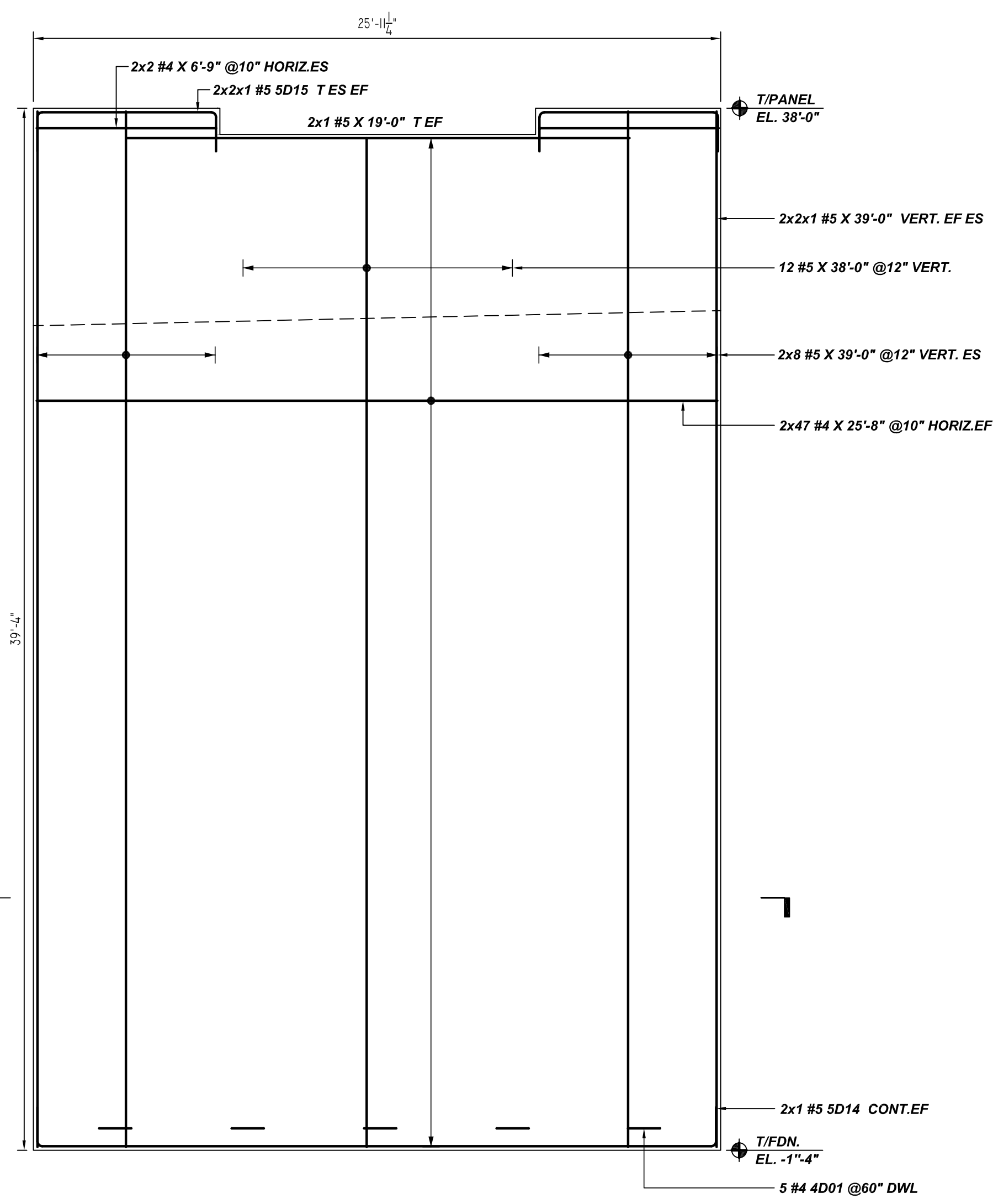
FOR APPROVAL

LAP SCHEDULE
 4000 PSI (CLASS-B) CASE - 1
 Per S5.01/3

BAR#	LENGTHS	
	TOP	OTHERS
#3	24"	19"
#4	33"	25"
#5	41"	31"
#6	49"	37"
#7	71"	54"
#8	81"	62"
#9	91"	70"
#10	102"	79"
#11	113"	87"

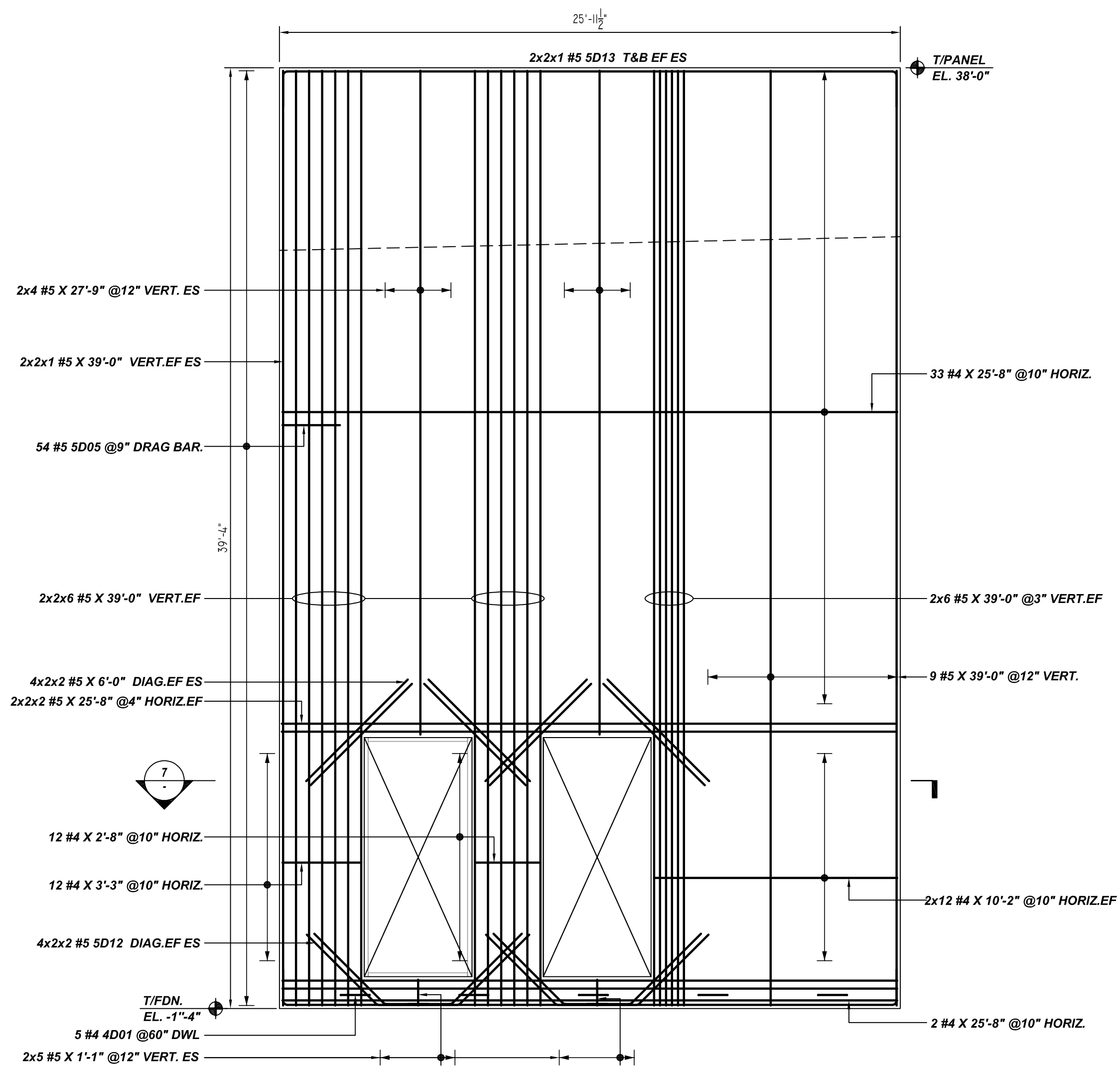
ALL TOP BARS ARE DEFINED AS HORIZ BARS WITH MORE THAN 12" OF CONCRETE BELOW BARS.

GRADE	A615/60(UNO)				
PREFIX	D				
BAR LIST					
REV	DESCRIPTION	ISSUED DATE	ISSUED FOR	STRUCTURE	BUILDING-A PANEL REINFORCEMENT DETAILS
0	IFA	09/20/2022	APPROVAL	FLOOR	A30 TO A32 PANEL (EL: -1'-4" TO 40')
				JOB NO	
				CUSTOMER	
				JOB	ELLIOT_GATEWAY TECH CENTER
				LOCATION	10650 E. ELLIOT ROAD.
				DRAWN	
				DATE	
				CONTROL CODE	
				DWS. NO.	
				MRS	09/20/2022
					-
					R22

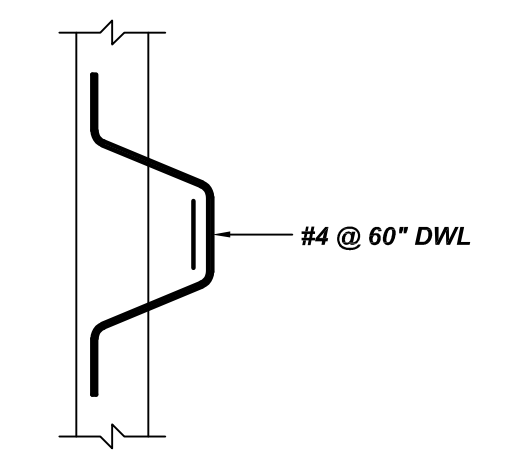


9" THK PANEL
PANEL A33
 REF:TYPE-1/S-303(DT.02/07/22)
 REF:SA111, SA301(DT.02/07/22)
 SCALE: 1/4" = 1'-0"

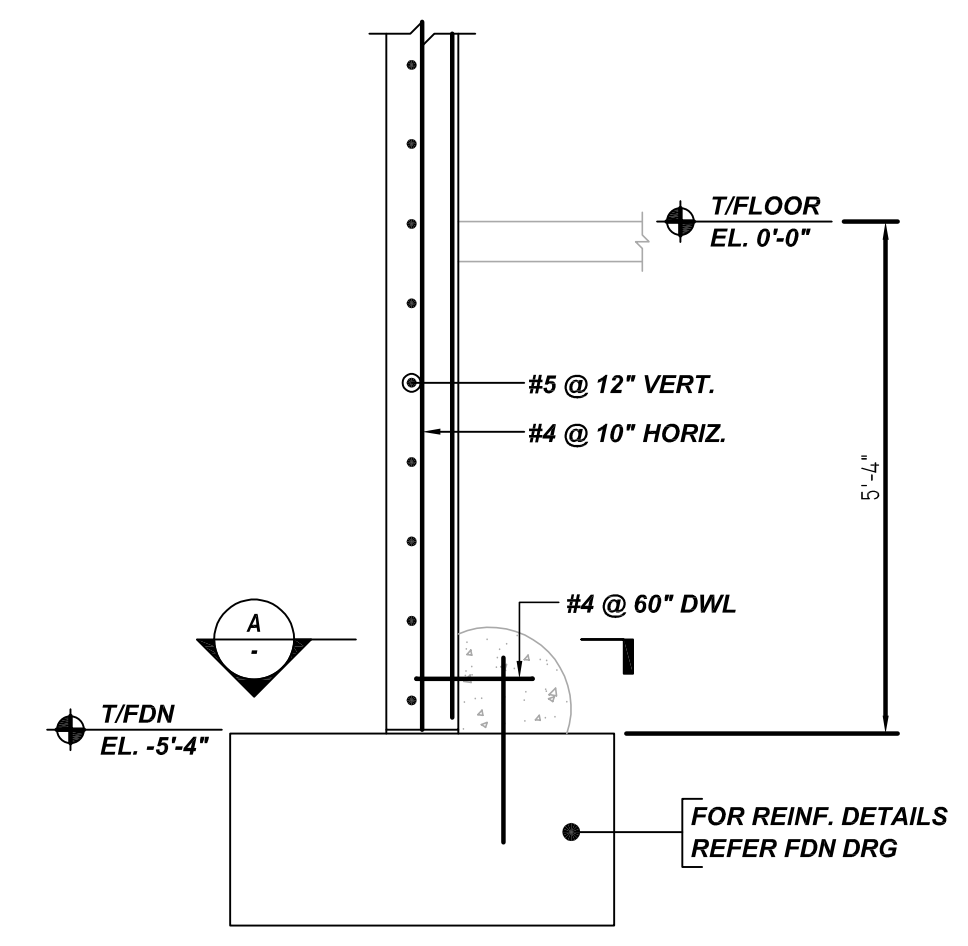
A/E PLEASE VERIFY STOCK LENGTH EXCEED 40'-0" PLEASE CONFIRM (TYP.)



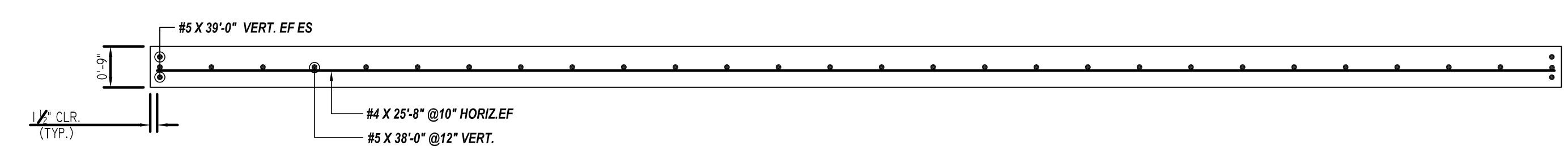
9" THK PANEL
PANEL A34
 REF:TYPE-14/S-306(DT.02/07/22)
 REF:SA111, SA301(DT.02/07/22)
 SCALE: 1/4" = 1'-0"



A SECTION
 REF:S-401/102 (DT.02/07/22)
 SCALE: 1/2" = 1'-0"



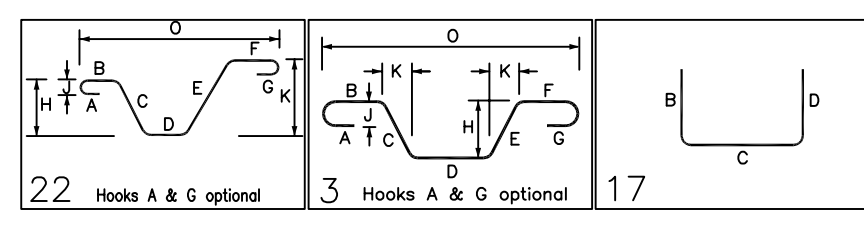
TYPICAL PRECAST CONCRETE PANEL AT CONCRETE FOOTING
 REF:S-401/102 (DT.02/07/22)
 SCALE: 1/2" = 1'-0"



6 SECTION
 REF:TYPE-1/S-303(DT.02/07/22)
 SCALE: 1/2" = 1'-0"

Release Number: R23

Bar Mark	Qty	Size	Total Length	Type	X	Y	Z	W	V	U	T	S	R	Q	P	O	N	M	L	K	J	I	H	G	F	E	D	C	B	A					
4001	10	#4	5'-0" X	22																															
5005	54	#5	2'-5"	3																															
5012	16	#5	5'-11" X	3																															
5013	4	#5	28'-8" X	17																															
5014	2	#5	28'-8"	17																															
5015	4	#5	9'-9" X	17																															



TYPICAL REINFORCING BAR CLEARANCE TABLE

LOCATION	MIN. COVER
PANEL	1 1/2" CLR

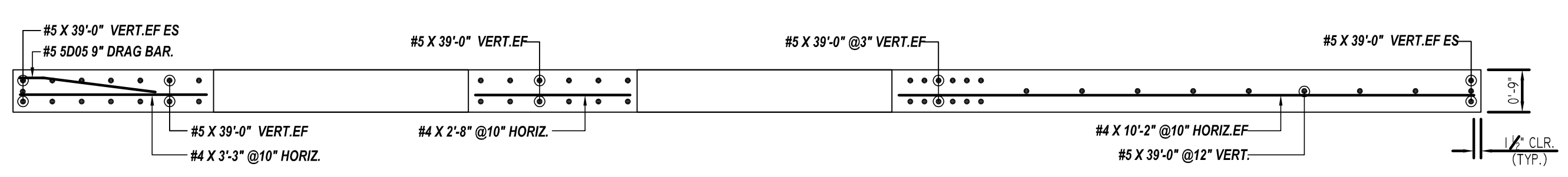
LAP SCHEDULE
 4000 PSI (CLASS-B) CASE - 1
 Per S5.01/3

BAR#	LENGTHS	
	TOP	OTHERS
#3	24"	19"
#4	33"	25"
#5	41"	31"
#6	49"	37"
#7	71"	54"
#8	81"	62"
#9	91"	70"
#10	102"	79"
#11	113"	87"

ALL TOP BARS ARE DEFINED AS HORIZ BARS WITH MORE THAN 12" OF CONCRETE BELOW BARS.

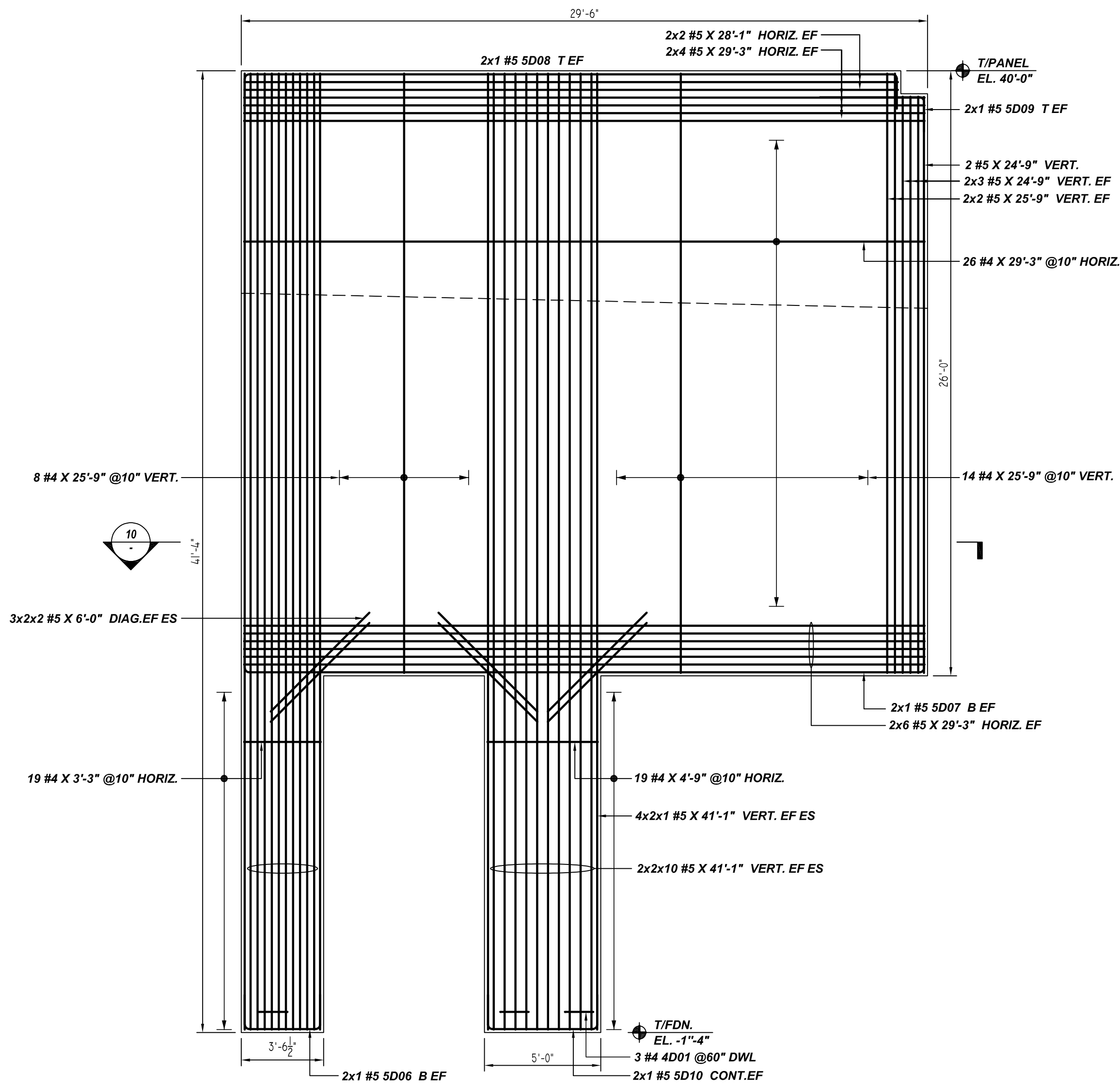
**ALL BARS IN THIS DRAWING
 ASTM A615 GRADE 60
 BLACK UNCOATED**

FOR APPROVAL



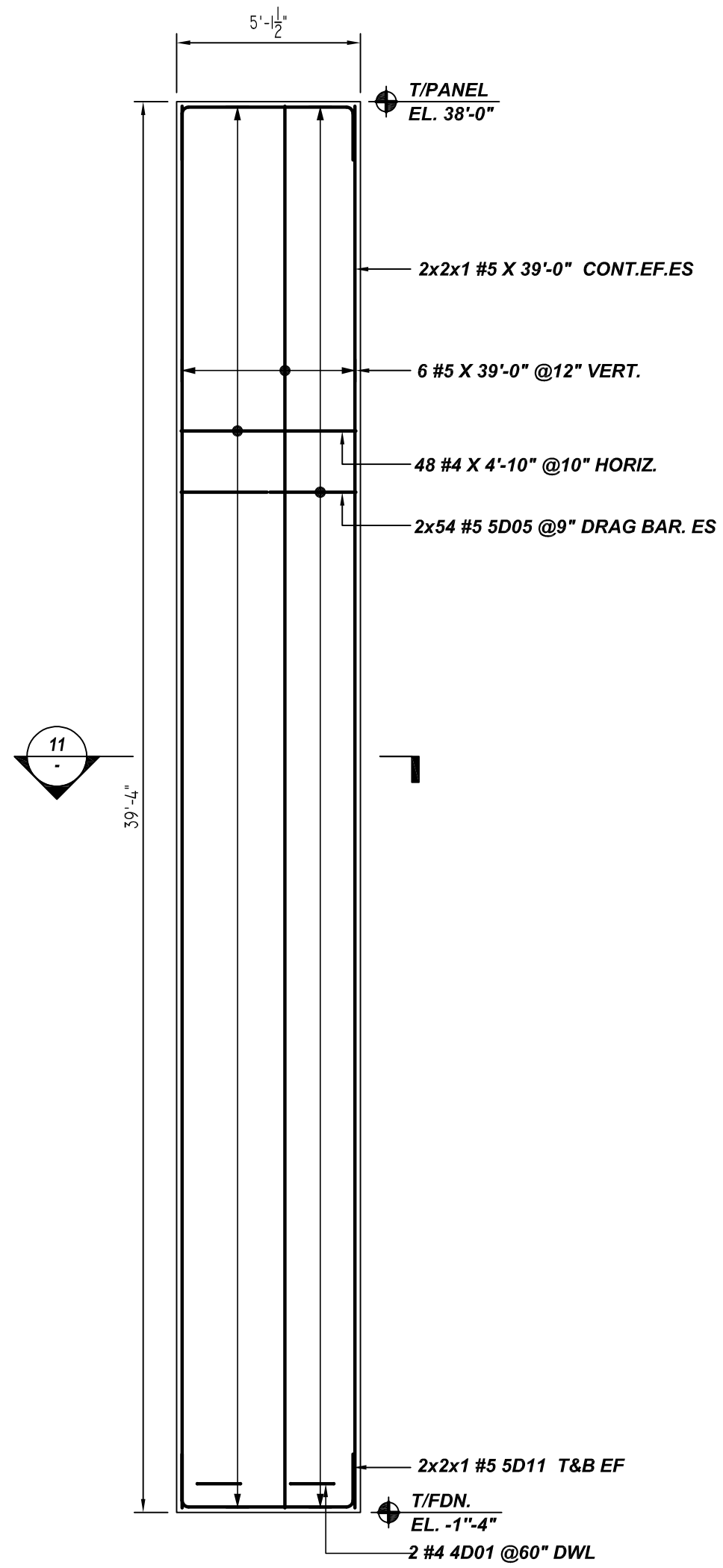
7 SECTION
 REF:TYPE-14/S-306(DT.02/07/22)
 SCALE: 1/2" = 1'-0"

GRADE	A615/60(UNO)				
PREFIX	D				
BAR LIST NOS.					
REV	DESCRIPTION	ISSUED DATE	ISSUED FOR	STRUCTURE	BUILDING-A PANEL REINFORCEMENT DETAILS
0	IFA	09/20/2022	APPROVAL	FLOOR	A33 & A34 PANEL (EL: -1'-4" TO 40')
				JOB NO	
				CUSTOMER	
				JOB	ELLIOT_GATEWAY TECH CENTER
				LOCATION	10650 E. ELLIOT ROAD.
				DRAWN	
				DATE	
				CONTROL CODE	
				DWS. NO.	
	MRS	09/20/2022			R23

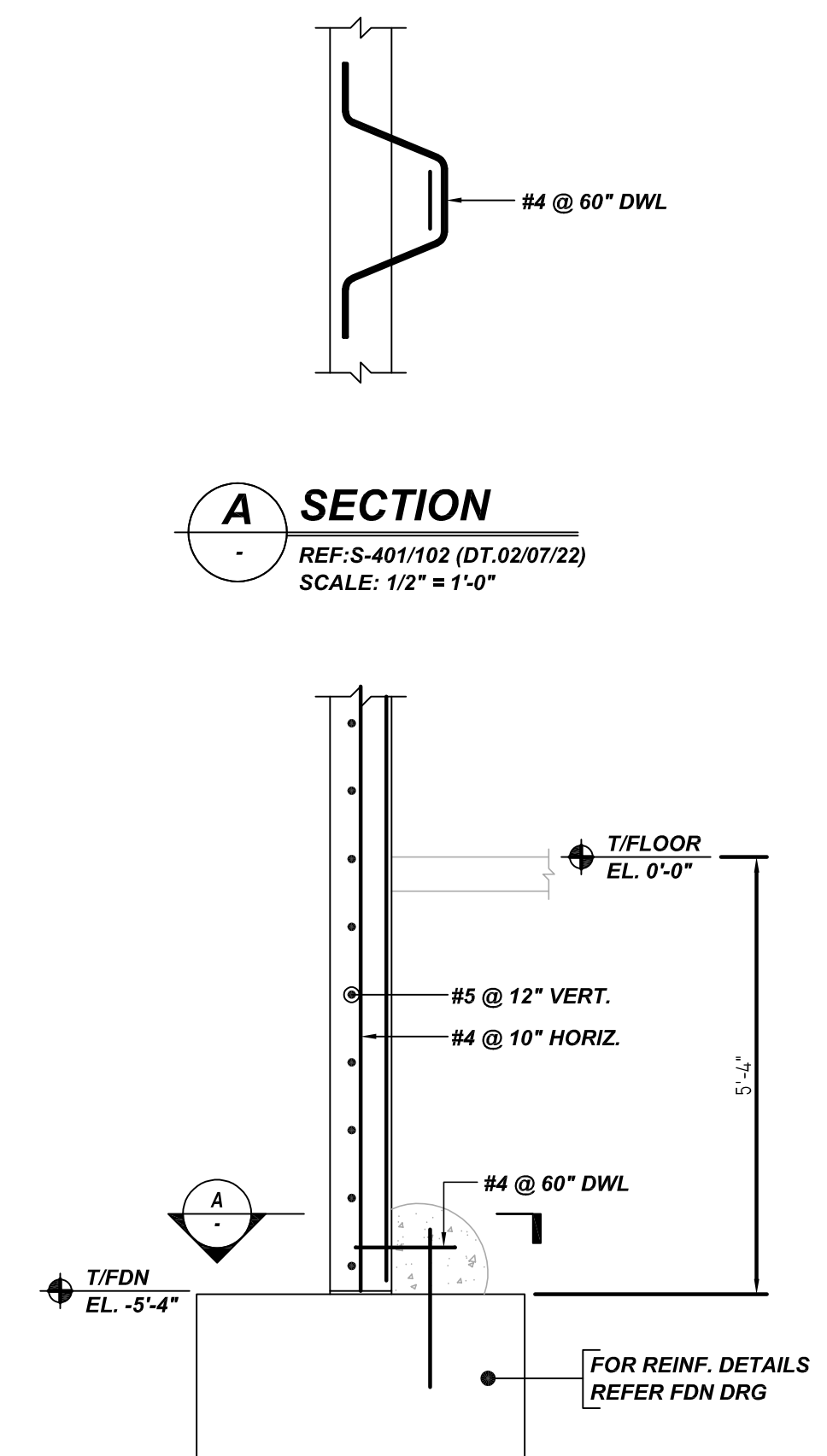


PANEL A37
 REF: TYPE-14/S-306(DT.02/07/22)
 REF: SA111, SA301(DT.02/07/22)
 SCALE: 1/4" = 1'-0"

A/E PLEASE VERIFY STOCK LENGTH EXCEED 40'-0" PLEASE CONFIRM (TYP.)

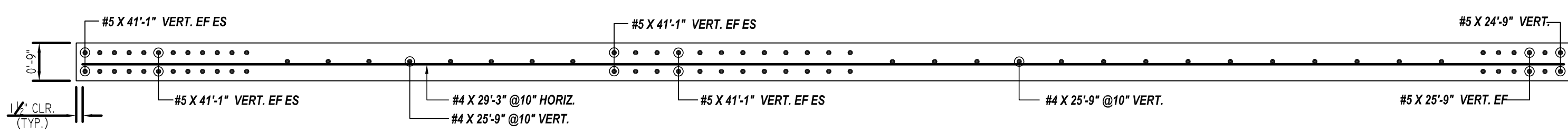


PANEL A38
 REF: TYPE-1/S-303(DT.02/07/22)
 REF: SA111, SA301(DT.02/07/22)
 SCALE: 1/4" = 1'-0"

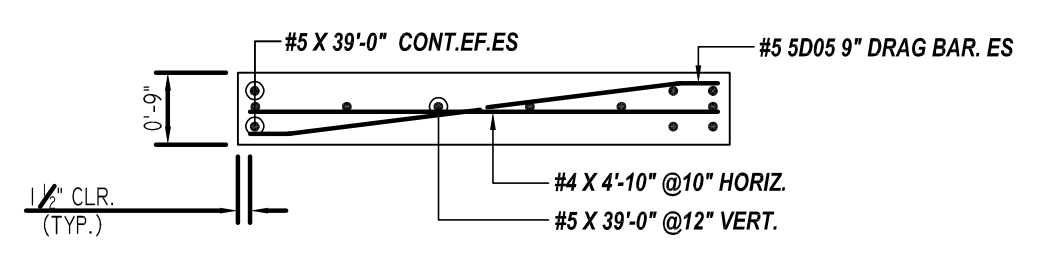


SECTION A
 REF: S-401/102 (DT.02/07/22)
 SCALE: 1/2" = 1'-0"

TYPICAL PRECAST CONCRETE PANEL AT CONCRETE FOOTING
 REF: S-401/102 (DT.02/07/22)
 SCALE: 1/2" = 1'-0"

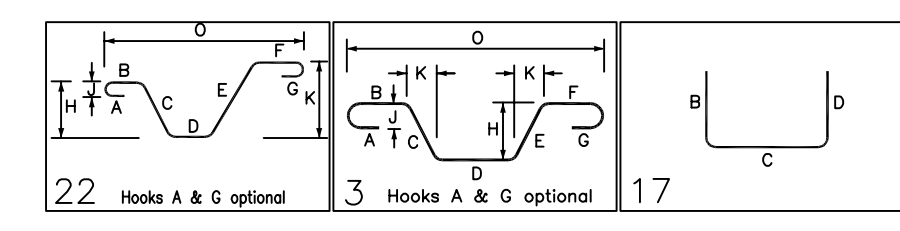


SECTION 10
 REF: TYPE-14/S-306(DT.02/07/22)
 SCALE: 1/2" = 1'-0"



SECTION 11
 REF: TYPE-1/S-303(DT.02/07/22)
 SCALE: 1/2" = 1'-0"

Bar Mark	Qty	Size	Total Length	Type	X	Y	Z	BENDING DETAILS																
4001	3	#4	5'-0.00	22				0'-8.00	1'-4"	1'-0"	1'-4"	0'-8.00												
5005	108	#5	2'-0"	3				0'-5.00	2'-0"	1'-0"	1'-4"	0'-3.00												
5006	2	#5	6'-3.00	17				1'-5"	3'-3.00	1'-5"														
5007	2	#5	3'-3.00	17				1'-5"	2'-3.00	1'-5"														
5008	2	#5	31'-1.00	17				1'-5"	28'-1"	1'-5"														
5009	2	#5	6'-0"	17				1'-5"	4'-5"															
5010	2	#5	7'-9"	17				1'-5"	4'-9"	1'-5"														
5011	4	#5	7'-9.00	17				1'-5"	4'-9.00	1'-5"														



TYPICAL REINFORCING BAR CLEARANCE TABLE		
LOCATION	MIN. COVER	
PANEL	1 1/2" CLR	

**ALL BARS IN THIS DRAWING
 ASTM A615 GRADE 60
 BLACK UNCOATED**

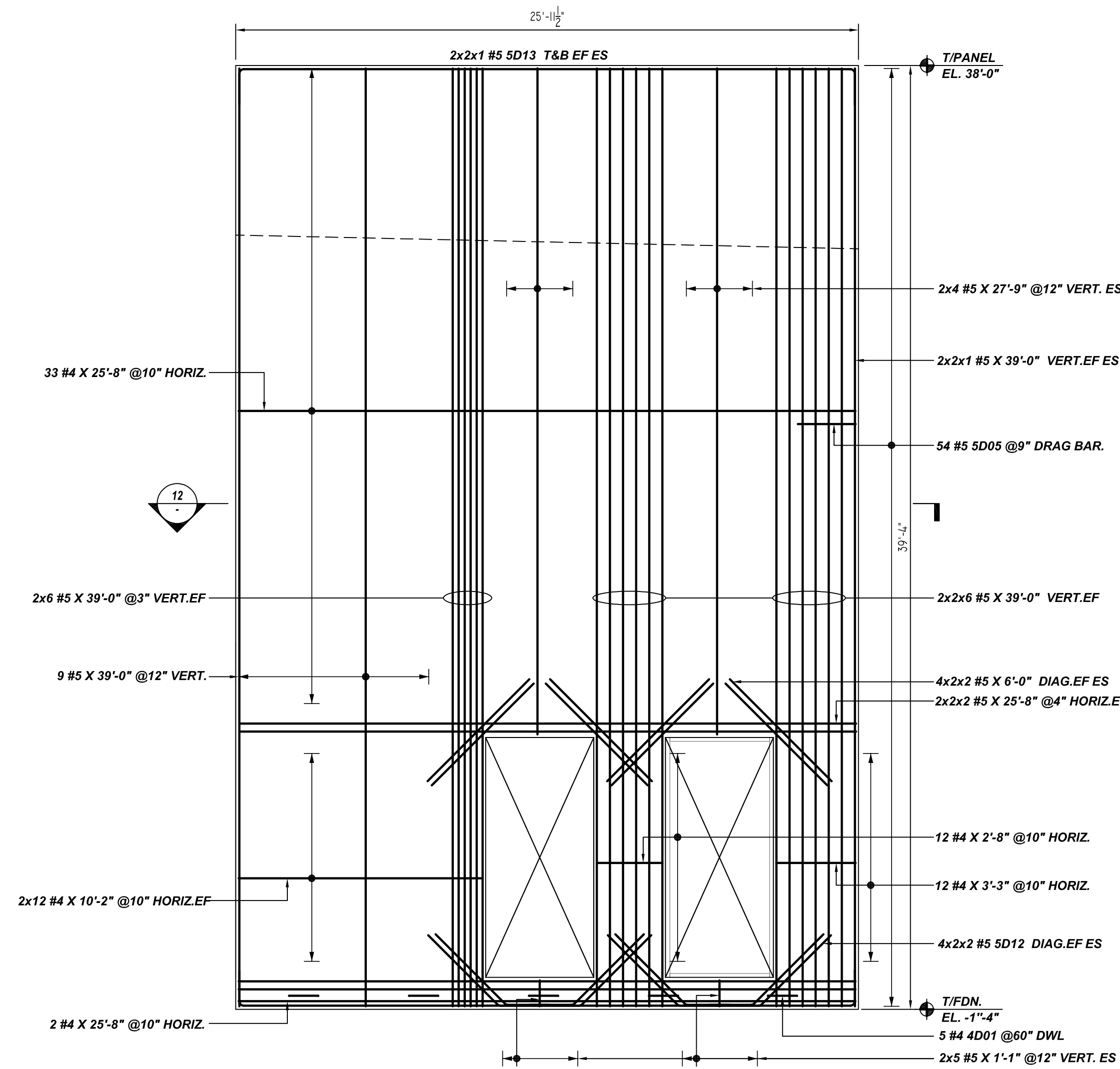
FOR APPROVAL

LAP SCHEDULE
 4000 PSI (CLASS-B) CASE - 1
 Per S5.01/3

BAR#	LENGTHS	
	TOP	OTHERS
#3	24"	19"
#4	33"	25"
#5	41"	31"
#6	49"	37"
#7	71"	54"
#8	81"	62"
#9	91"	70"
#10	102"	79"
#11	113"	87"

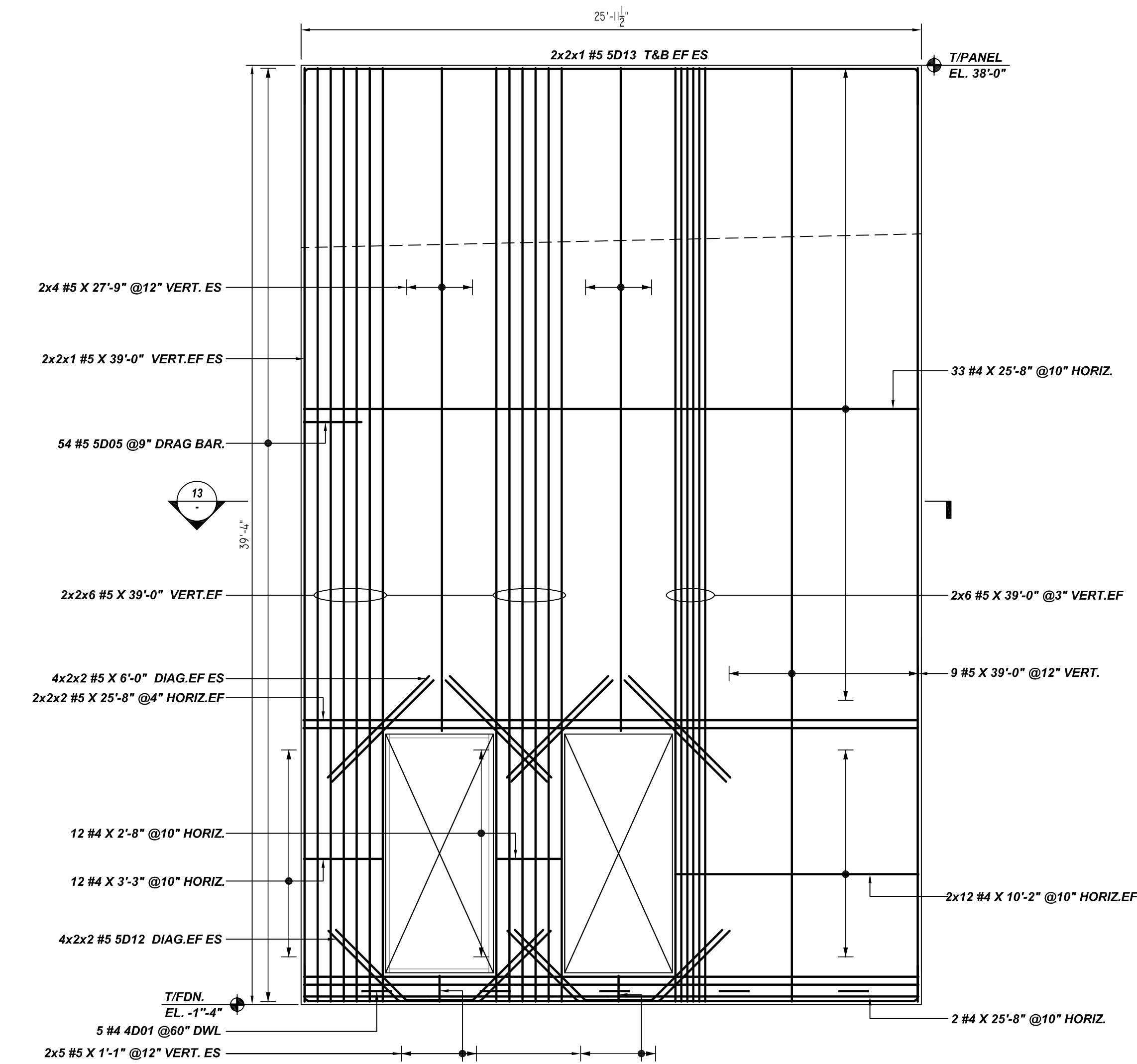
ALL TOP BARS ARE DEFINED AS HORIZ BARS WITH MORE THAN 12" OF CONCRETE BELOW BARS.

GRADE	A615/60(UNO)				
PREFIX	D				
BAR LIST NOS.					
REV	DESCRIPTION	ISSUED DATE	ISSUED FOR	STRUCTURE	BUILDING-A PANEL REINFORCEMENT DETAILS
0	IFA	09/20/2022	APPROVAL	FLOOR	A37 & A38 PANEL (EL: -1'-4" TO 40')
				JOB NO	
				CUSTOMER	
				JOB	ELLIOT_GATEWAY TECH CENTER
				LOCATION	10650 E. ELLIOT ROAD.
				DRAWN	
				DATE	
				CONTROL CODE	
				DWS. NO.	
				MRS	09/20/2022
					-
					R25

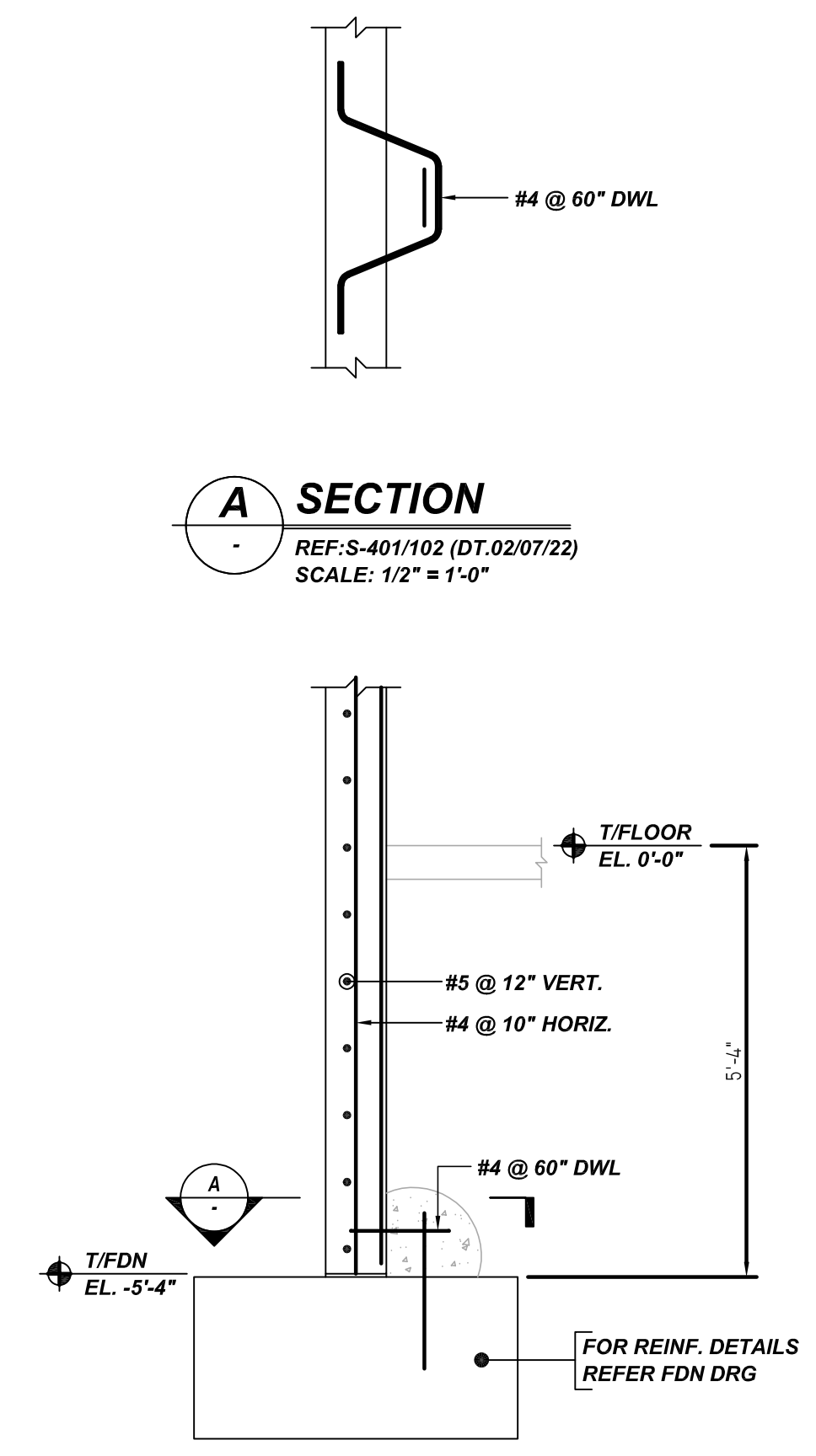


PANEL A39
 REF:TYPE-10/S-305(DT.02/07/22)
 REF:SA111, SA301(DT.02/07/22)
 SCALE: 1/4" = 1'-0"

A/E PLEASE VERIFY STOCK LENGTH EXCEED 40'-0" PLEASE CONFIRM (TYP.)

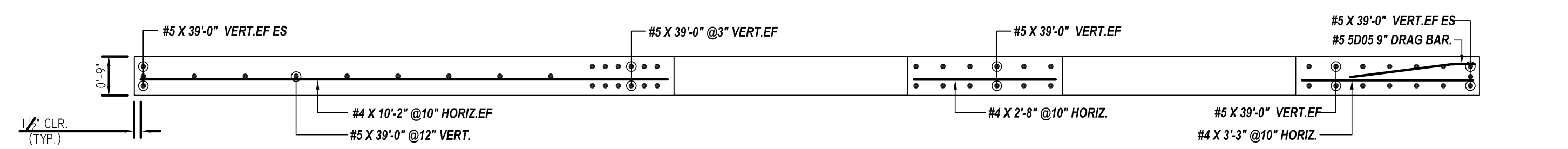


PANEL A40
 REF:TYPE-14/S-306(DT.02/07/22)
 REF:SA111, SA301(DT.02/07/22)
 SCALE: 1/4" = 1'-0"



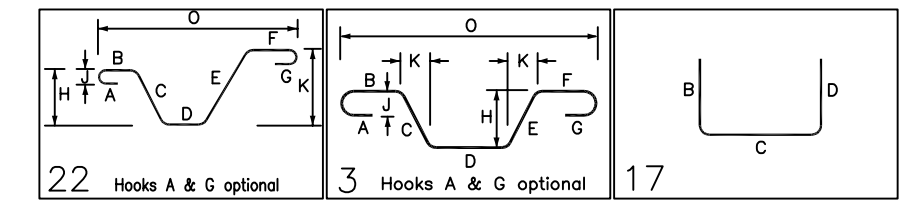
SECTION A
 REF:S-401/102 (DT.02/07/22)
 SCALE: 1/2" = 1'-0"

TYPICAL PRECAST CONCRETE PANEL AT CONCRETE FOOTING
 REF:S-401/102 (DT.02/07/22)
 SCALE: 1/2" = 1'-0"



SECTION 12
 REF:TYPE-10/S-305(DT.02/07/22)
 SCALE: 1/2" = 1'-0"

Bar	Qty	Size	Total Length	Type	X	Y	Z	BENDING DETAILS
4001	10	#4	5'-9 3/4"	22	0'-8 3/4"	1'-4"	1'-4"	1'-4"
5005	108	#5	2'-5 1/2"	3	0'-5 1/2"	2'-0"	1'-4"	0'-3 3/4"
5012	30	#5	5'-11 3/4"	3	1'-10"	4'-1 3/4"	2'-10 3/4"	1'-11 3/4"
5013	8	#5	28'-8 3/4"	17	1'-6"	25'-8 3/4"	1'-6"	2'-10 3/4"



LOCATION	MIN. COVER
PANEL	1 1/2" CLR

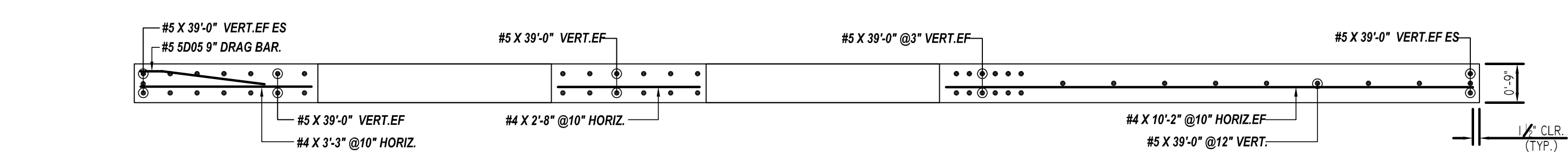
LAP SCHEDULE
 4000 PSI (CLASS-B) CASE - 1
 Per S5.01/3

BAR#	LENGTHS	
	TOP	OTHERS
#3	24"	19"
#4	33"	25"
#5	41"	31"
#6	49"	37"
#7	71"	54"
#8	81"	62"
#9	91"	70"
#10	102"	79"
#11	113"	87"

ALL TOP BARS ARE DEFINED AS HORIZ BARS WITH MORE THAN 12" OF CONCRETE BELOW BARS.

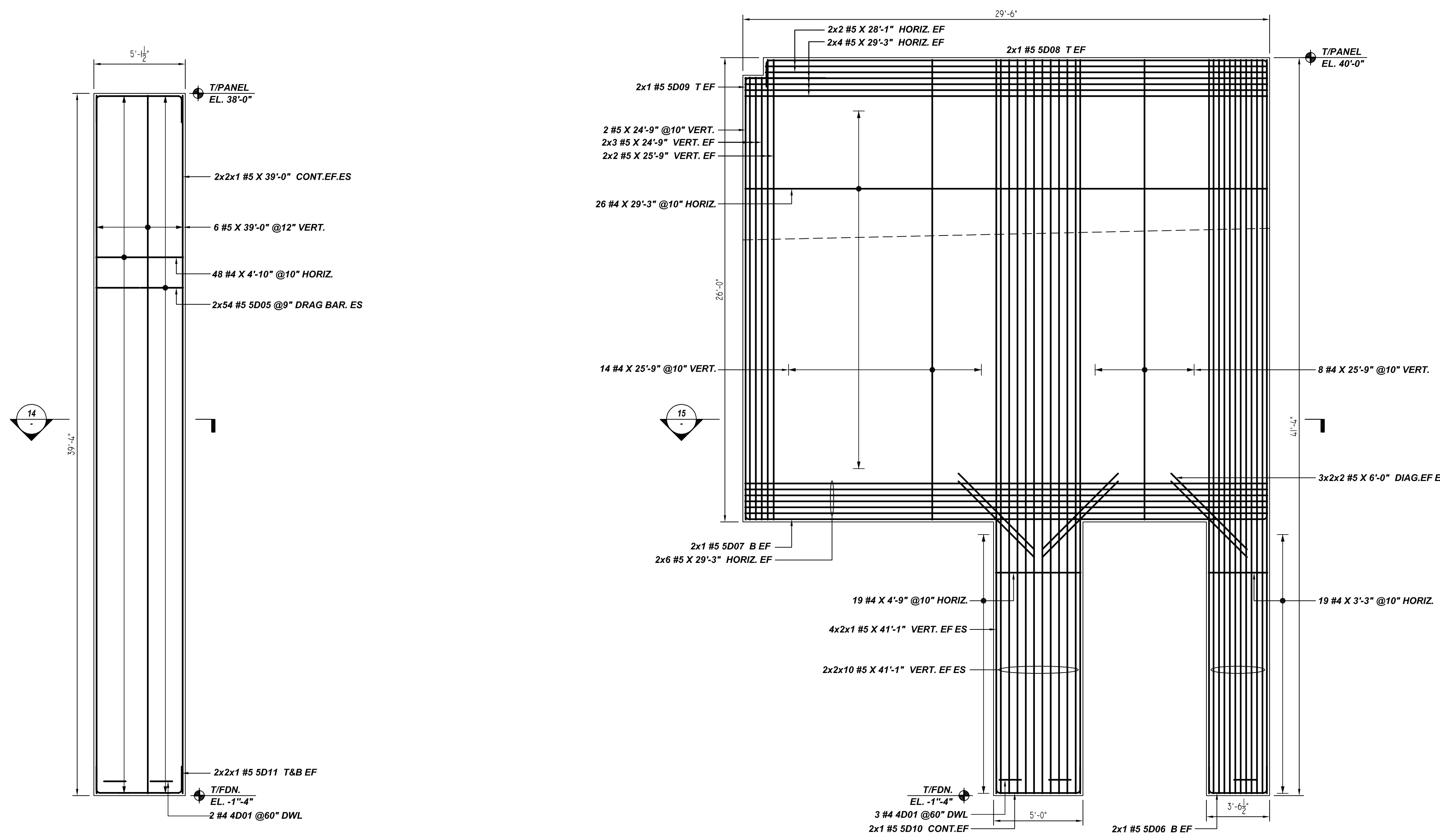
ALL BARS IN THIS DRAWING
 ASTM A615 GRADE 60
 BLACK UNCOATED

FOR APPROVAL



SECTION 13
 REF:TYPE-14/S-306(DT.02/07/22)
 SCALE: 1/2" = 1'-0"

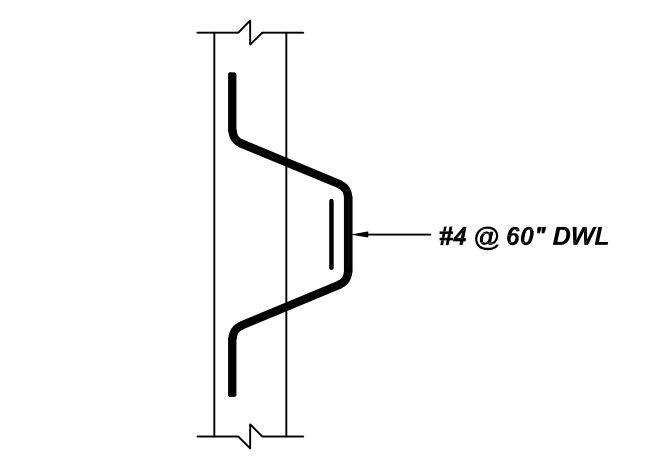
GRADE	A615/60(UNO)		
PREFIX	D		
BAR LIST NOS.			
REV	DESCRIPTION	ISSUED DATE	ISSUED FOR
0	IFA	09/20/2022	APPROVAL
STRUCTURE	BUILDING-A PANEL REINFORCEMENT DETAILS		
FLOOR	A39 & A40 PANEL (EL: -1'-4" TO 40')		
JOB NO.			
CUSTOMER			
JOB	ELLIOT_GATEWAY TECH CENTER		
LOCATION	10650 E. ELLIOT ROAD.		
DRAWN	DATE	CONTROL CODE	DWS. NO.
MRS	09/20/2022	-	R26



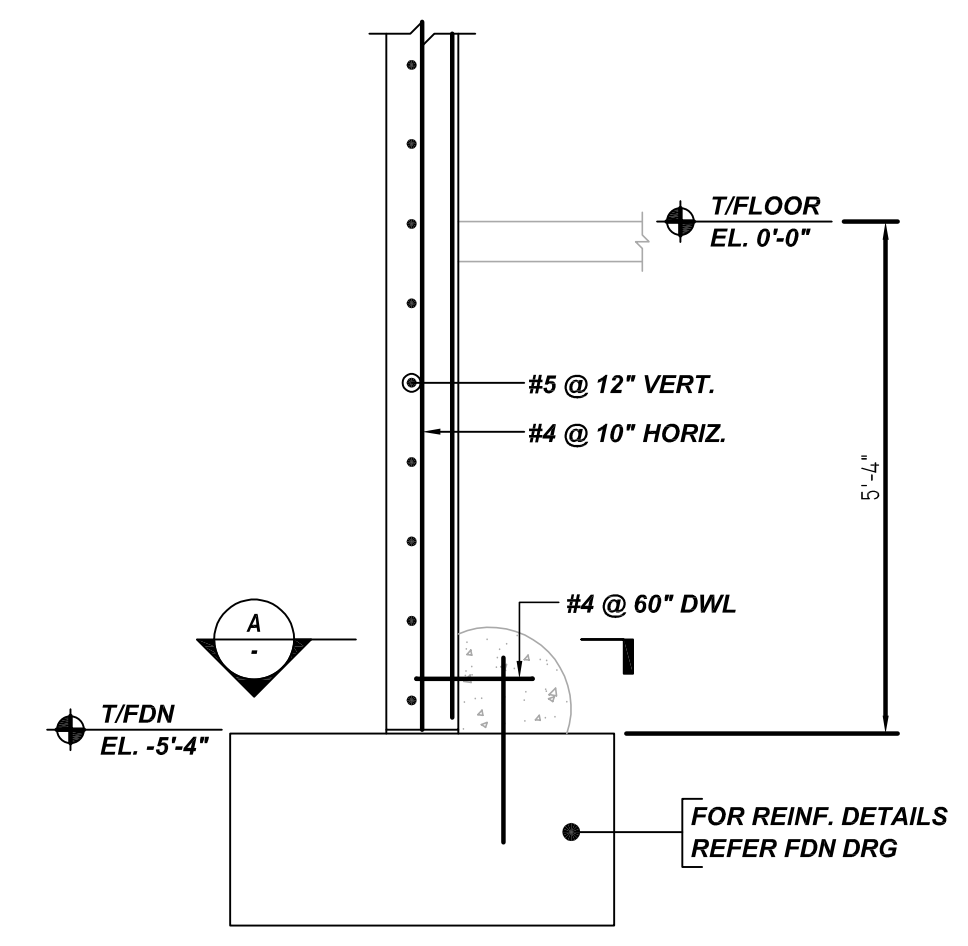
PANEL A41
 REF:TYPE-1/S-303(DT.02/07/22)
 REF:SA111, SA301(DT.02/07/22)
 SCALE: 1/4" = 1'-0"

A/E PLEASE VERIFY STOCK LENGTH EXCEED 40'-0" PLEASE CONFIRM (TYP.)

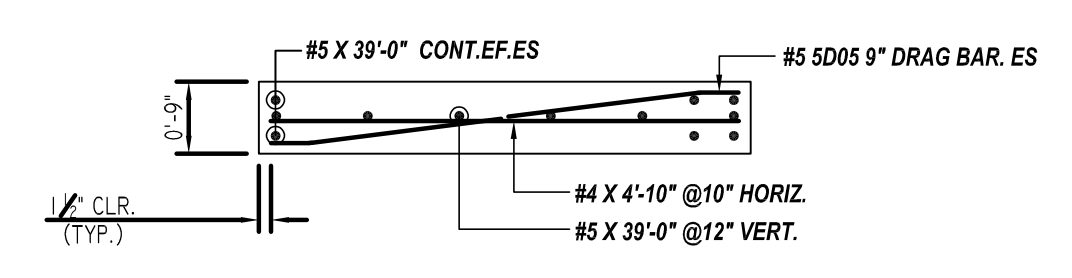
PANEL A42
 REF:TYPE-14/S-306(DT.02/07/22)
 REF:SA111, SA301(DT.02/07/22)
 SCALE: 1/4" = 1'-0"



SECTION A
 REF:S-401/102 (DT.02/07/22)
 SCALE: 1/2" = 1'-0"

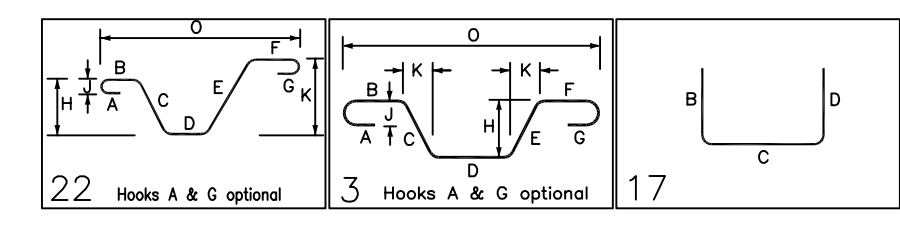


TYPICAL PRECAST CONCRETE PANEL AT CONCRETE FOOTING
 REF:S-401/102 (DT.02/07/22)
 SCALE: 1/2" = 1'-0"



SECTION 14
 REF:TYPE-1/S-303(DT.02/07/22)
 SCALE: 1/2" = 1'-0"

Release Number: R27	Bar Mark	Qty	Size	Total Length	Type	X	Y	Z	BENDING DETAILS														
4001	5 #4	5	5'-0" X 17	82	3	0'-8" X	1'-4"	1'-0"	1'-4"	0'-8" X													
5005	108 #5	108	2'-5"	3	3	0'-5"	2'-0"	1'-0"	1'-4"	0'-8" X	0'-3" X	1'-11" X	2'-4" X										
5006	2 #5	2	6'-3" X 17	17	17	1'-6"	3'-3" X	1'-6"															
5007	2 #5	2	3'-3" X 17	17	17	1'-6"	2'-9" X	1'-6"															
5008	2 #5	2	3'-1" X 17	17	17	1'-6"	2'-8" X	1'-6"															
5009	2 #5	2	6'-0" X 17	17	17	1'-6"	4'-6"																
5010	2 #5	2	7'-3" X 17	17	17	1'-6"	4'-3"	1'-6"															
5011	4 #5	4	7'-9" X 17	17	17	1'-6"	4'-9" X	1'-6"															



TYPICAL REINFORCING BAR CLEARANCE TABLE	
LOCATION	MIN. COVER
PANEL	1 1/2" CLR

LAP SCHEDULE

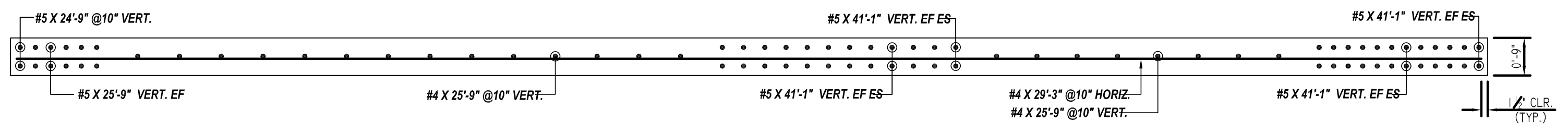
4000 PSI (CLASS-B) CASE - 1
 Per S5.01/3

BAR#	LENGTHS	
	TOP	OTHERS
#3	24"	19"
#4	33"	25"
#5	41"	31"
#6	49"	37"
#7	71"	54"
#8	81"	62"
#9	91"	70"
#10	102"	79"
#11	113"	87"

ALL TOP BARS ARE DEFINED AS HORIZ BARS WITH MORE THAN 12" OF CONCRETE BELOW BARS.

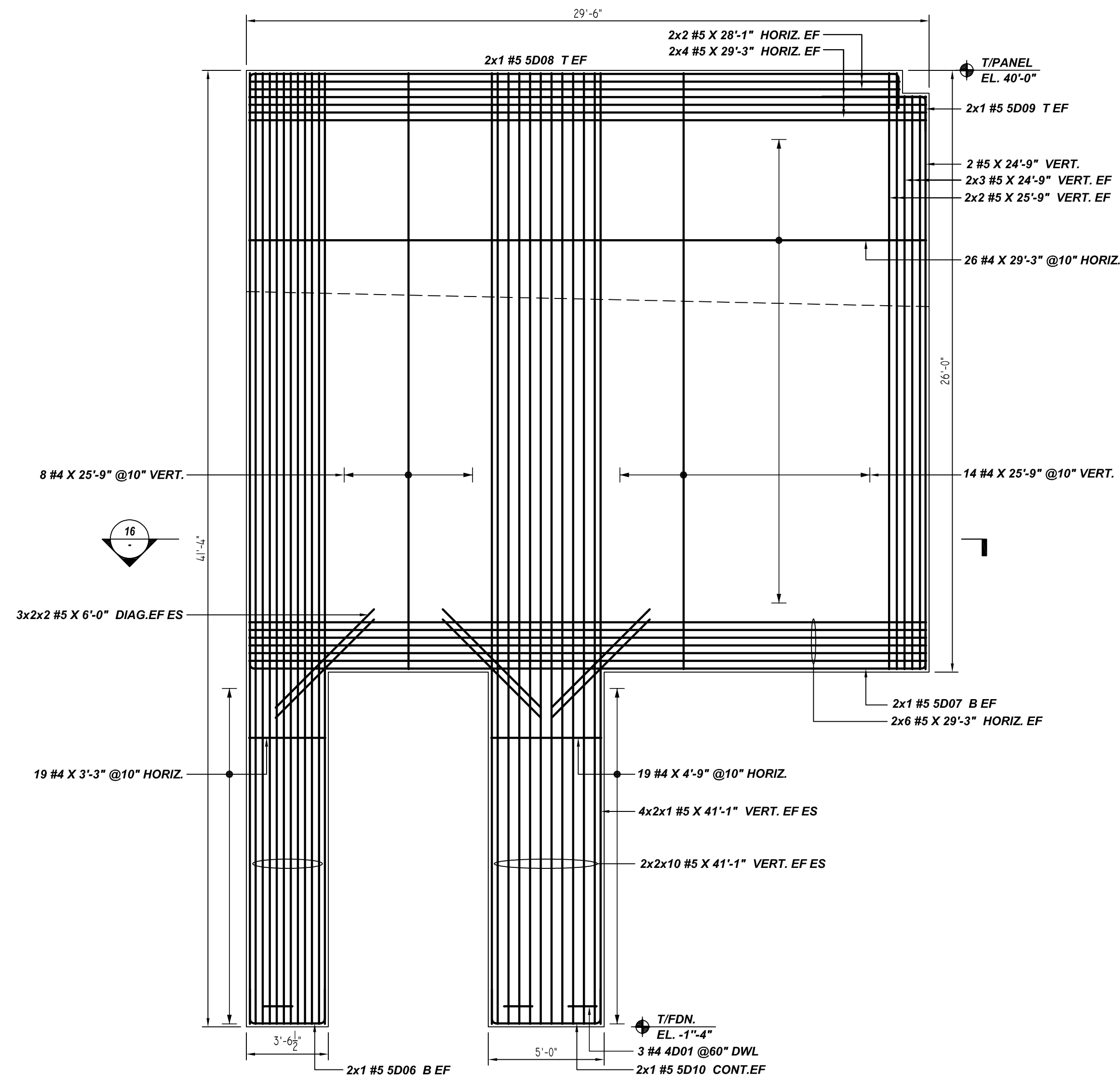
**ALL BARS IN THIS DRAWING
 ASTM A615 GRADE 60
 BLACK UNCOATED**

FOR APPROVAL



SECTION 15
 REF:TYPE-14/S-306(DT.02/07/22)
 SCALE: 1/2" = 1'-0"

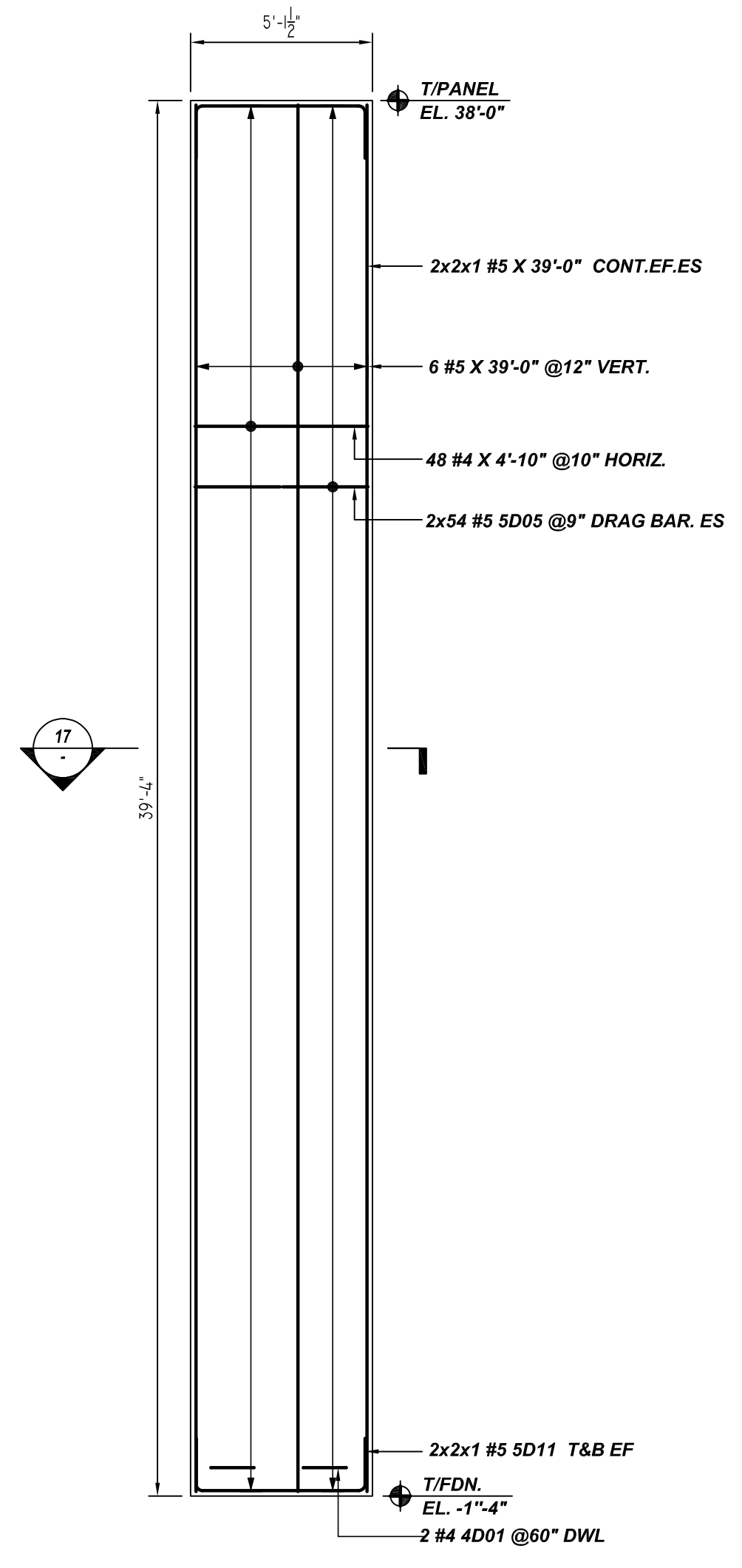
GRADE	A615/60(UNO)				
PREFIX	D				
BAR LIST NOS.					
REV	DESCRIPTION	ISSUED DATE	ISSUED FOR	STRUCTURE	BUILDING-A PANEL REINFORCEMENT DETAILS
0	IFA	09/20/2022	APPROVAL	FLOOR	A41 & A42 PANEL (EL. -1'-4" TO 40')
				JOB NO	
				CUSTOMER	
				JOB	ELLIOT_GATEWAY TECH CENTER
				LOCATION	10650 E. ELLIOT ROAD.
				DRAWN	
				DATE	
				CONTROL CODE	
				DWS. NO.	
				MRS	09/20/2022
					-
					R27



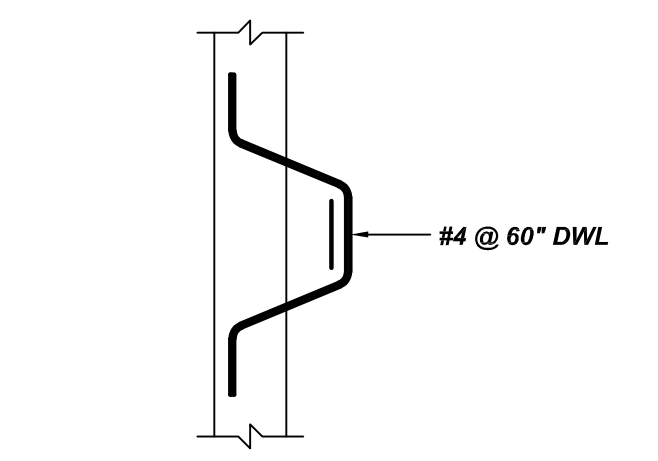
9" THK PANEL

PANEL A43
 REF: TYPE-14/S-306(DT.02/07/22)
 REF: SA111, SA301(DT.02/07/22)
 SCALE: 1/4" = 1'-0"

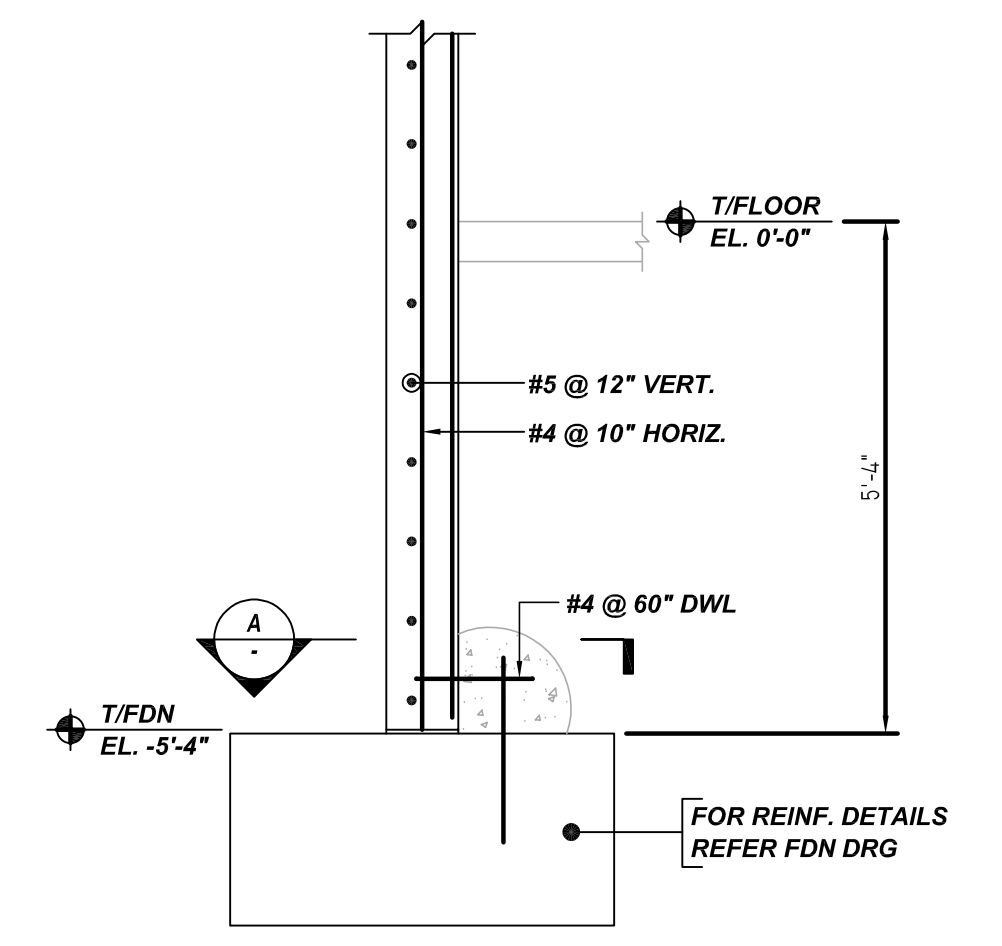
A/E PLEASE VERIFY STOCK LENGTH EXCEED 40'-0" PLEASE CONFIRM (TYP.)



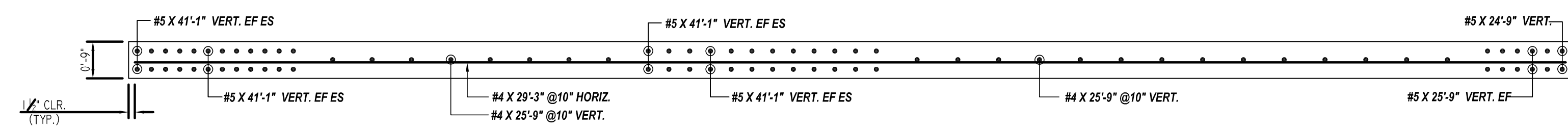
PANEL A44
 REF: TYPE-1/S-303(DT.02/07/22)
 REF: SA111, SA301(DT.02/07/22)
 SCALE: 1/4" = 1'-0"



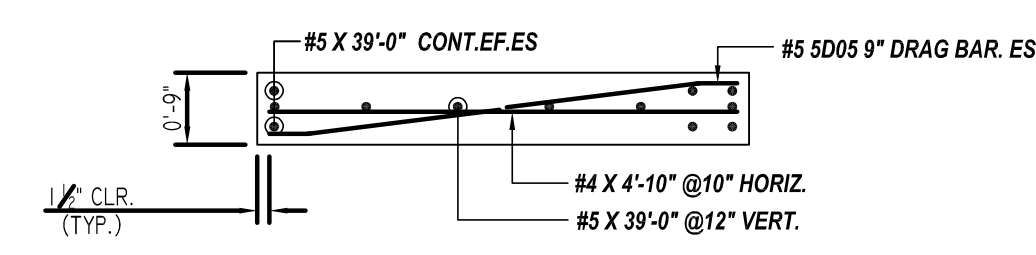
A SECTION
 REF: S-401/102 (DT.02/07/22)
 SCALE: 1/2" = 1'-0"



TYPICAL PRECAST CONCRETE PANEL AT CONCRETE FOOTING
 REF: S-401/102 (DT.02/07/22)
 SCALE: 1/2" = 1'-0"



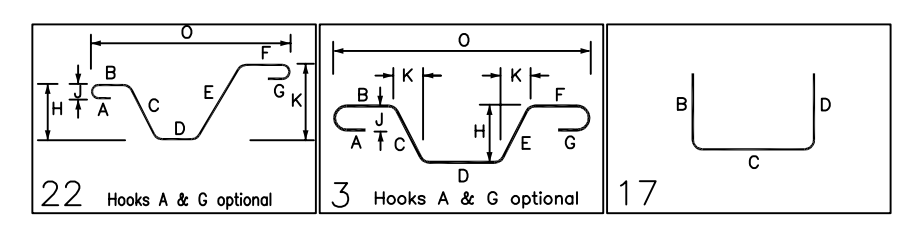
16 SECTION
 REF: TYPE-14/S-306(DT.02/07/22)
 SCALE: 1/2" = 1'-0"



17 SECTION
 REF: TYPE-1/S-303(DT.02/07/22)
 SCALE: 1/2" = 1'-0"

Release Number: R28

Bar Mark	Qty	Size	Total Length	Type	X	Y	Z	W	V	U	T	S	R	Q	P	O	N	M	L	K	J	I	H	G	F	E	D	C	B	A
4001	3	#4	5'-9 3/4"	22																										
5005	108	#5	2'-5 3/8"	3																										
5008	2	#5	6'-3 3/4"	17																										
5007	2	#5	32'-5 1/2"	17																										
5008	2	#5	31'-1 1/2"	17																										
5009	2	#5	6'-0"	17																										
5010	2	#5	7'-9"	17																										
5011	4	#5	7'-9 3/4"	17																										



TYPICAL REINFORCING BAR CLEARANCE TABLE

LOCATION	MIN. COVER
PANEL	1 1/2" CLR

**ALL BARS IN THIS DRAWING
 ASTM A615 GRADE 60
 BLACK UNCOATED**

FOR APPROVAL

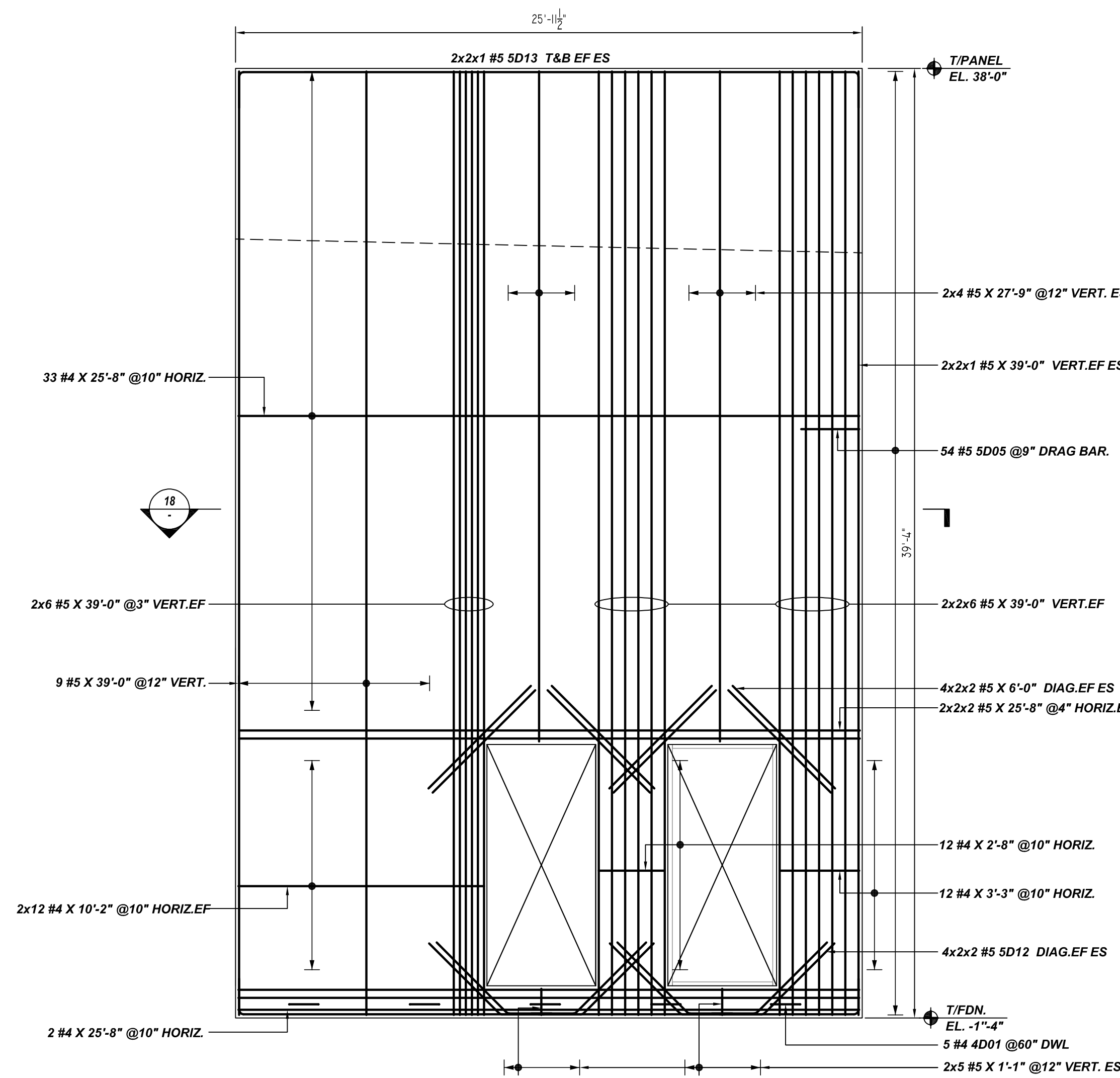
LAP SCHEDULE

4000 PSI (CLASS-B) CASE - 1
 Per S5.01/3

BAR#	LENGTHS	
	TOP	OTHERS
#3	24"	19"
#4	33"	25"
#5	41"	31"
#6	49"	37"
#7	71"	54"
#8	81"	62"
#9	91"	70"
#10	102"	79"
#11	113"	87"

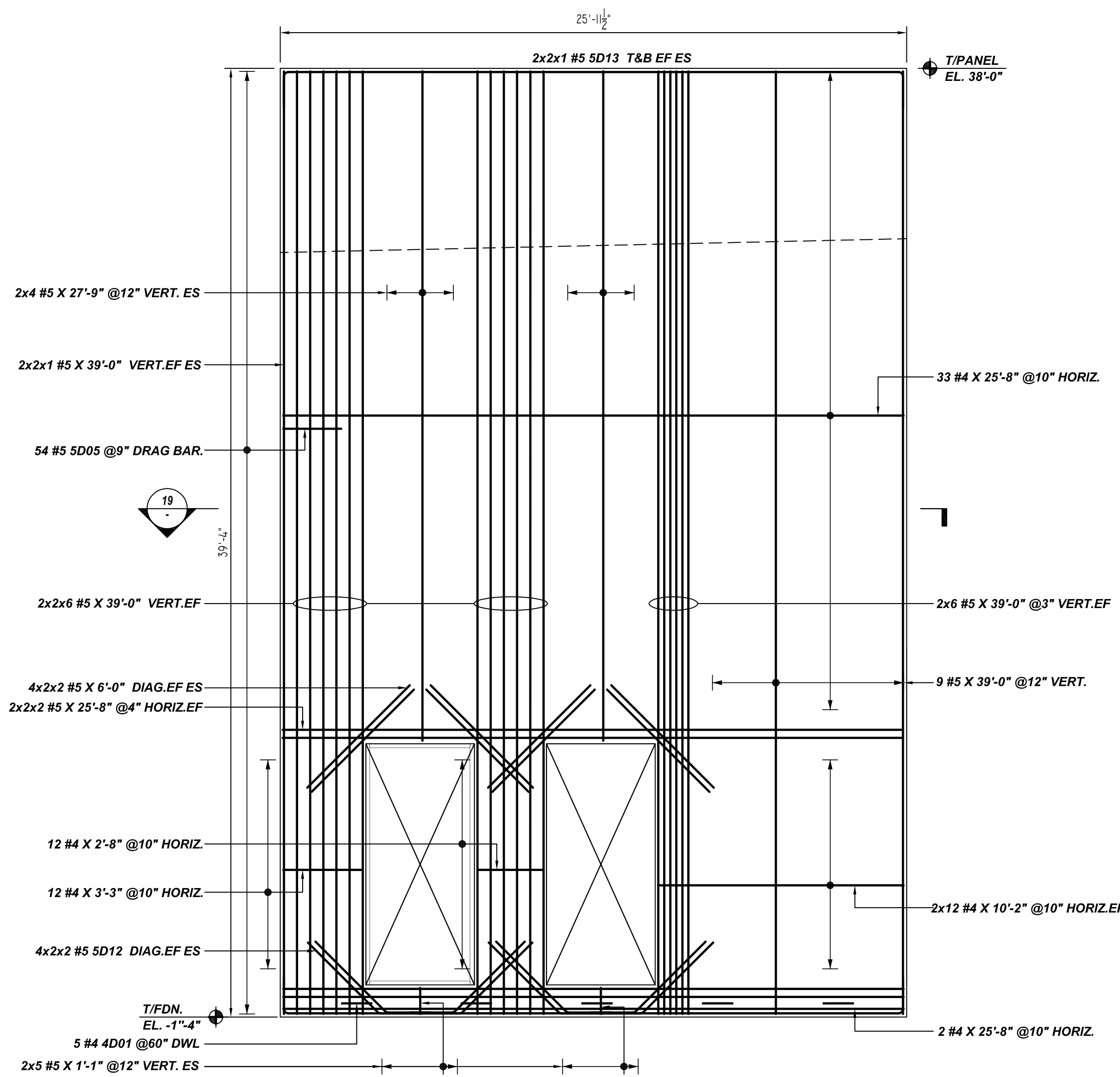
ALL TOP BARS ARE DEFINED AS HORIZ BARS WITH MORE THAN 12" OF CONCRETE BELOW BARS.

GRADE	A615/60(UNO)				
PREFIX	D				
BAR LIST NOS.					
REV	DESCRIPTION	ISSUED DATE	ISSUED FOR	STRUCTURE	BUILDING-A PANEL REINFORCEMENT DETAILS
0	IFA	09/20/2022	APPROVAL	FLOOR	A43 & A44 PANEL (EL: -1'-4" TO 40')
				JOB NO	
				CUSTOMER	
				JOB	ELLIOT_GATEWAY TECH CENTER
				LOCATION	10650 E. ELLIOT ROAD.
	DRAWN	DATE	CONTROL CODE	DWS. NO.	
	MRS	09/20/2022	-	R28	

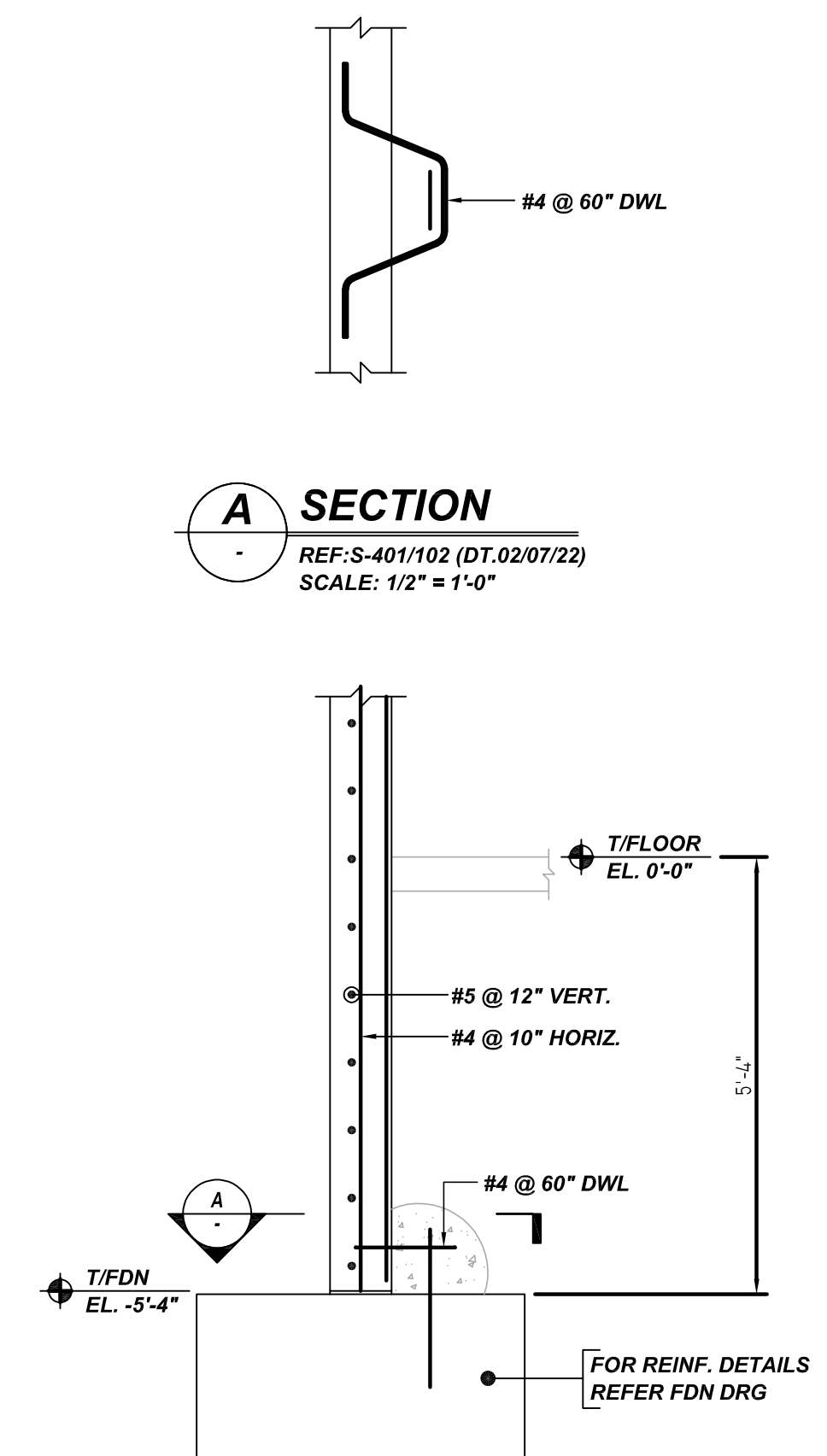


PANEL A45
 REF:TYPE-10/S-305(DT.02/07/22)
 REF:SA111, SA301(DT.02/07/22)
 SCALE: 1/4" = 1'-0"

A/E PLEASE VERIFY STOCK LENGTH EXCEED 40'-0" PLEASE CONFIRM (TYP.)

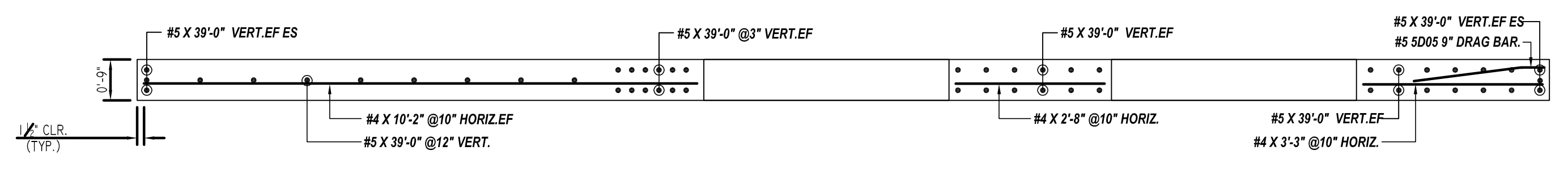


PANEL A46
 REF:TYPE-14/S-306(DT.02/07/22)
 REF:SA111, SA301(DT.02/07/22)
 SCALE: 1/4" = 1'-0"



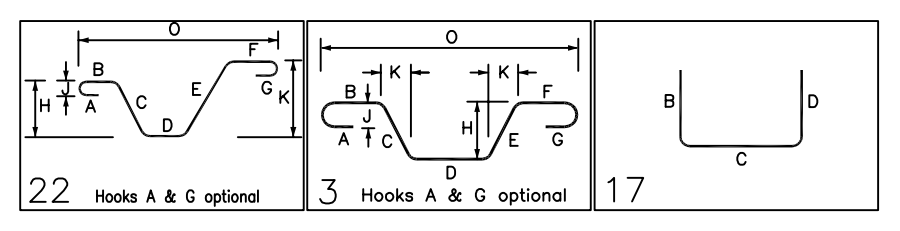
SECTION A-A
 REF:S-401/102 (DT.02/07/22)
 SCALE: 1/2" = 1'-0"

TYPICAL PRECAST CONCRETE PANEL AT CONCRETE FOOTING
 REF:S-401/102 (DT.02/07/22)
 SCALE: 1/2" = 1'-0"



18 SECTION
 REF:TYPE-10/S-305(DT.02/07/22)
 SCALE: 1/2" = 1'-0"

Bar Mark	Qty	Size	Total Length	Type	X	Y	Z	W	V	U	T	S	R	Q	P	O	N	M	L	K	J	I	H	G	F	E	D	C	B	A
4001	108	#4	5'-0 X	22																										
5005	108	#5	2'-5 X	3																										
5012	32	#5	5'-11 X	3																										
5013	8	#5	28'-8 X	17																										



TYPICAL REINFORCING BAR CLEARANCE TABLE	
LOCATION	MIN. COVER
PANEL	1 1/2" CLR

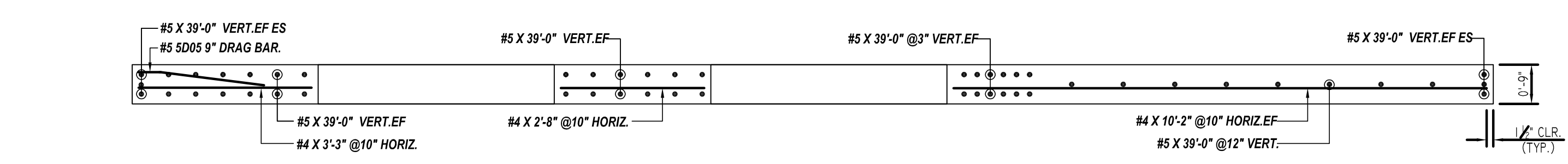
LAP SCHEDULE
 4000 PSI (CLASS-B) CASE - 1
 Per S5.01/3

BAR#	LENGTHS	
	TOP	OTHERS
#3	24"	19"
#4	33"	25"
#5	41"	31"
#6	49"	37"
#7	71"	54"
#8	81"	62"
#9	91"	70"
#10	102"	79"
#11	113"	87"

ALL TOP BARS ARE DEFINED AS HORIZ BARS WITH MORE THAN 12" OF CONCRETE BELOW BARS.

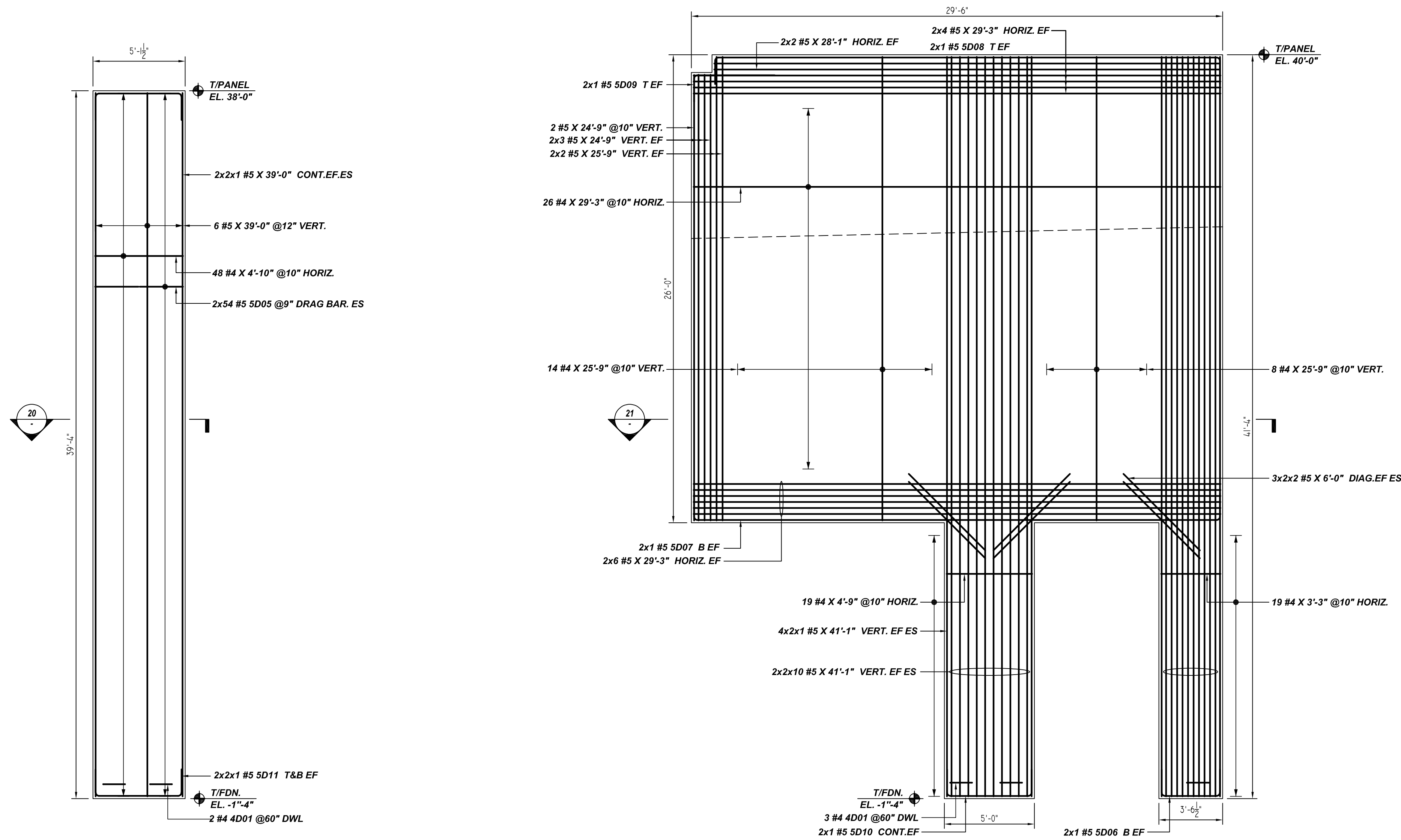
**ALL BARS IN THIS DRAWING
 ASTM A615 GRADE 60
 BLACK UNCOATED**

FOR APPROVAL



19 SECTION
 REF:TYPE-14/S-306(DT.02/07/22)
 SCALE: 1/2" = 1'-0"

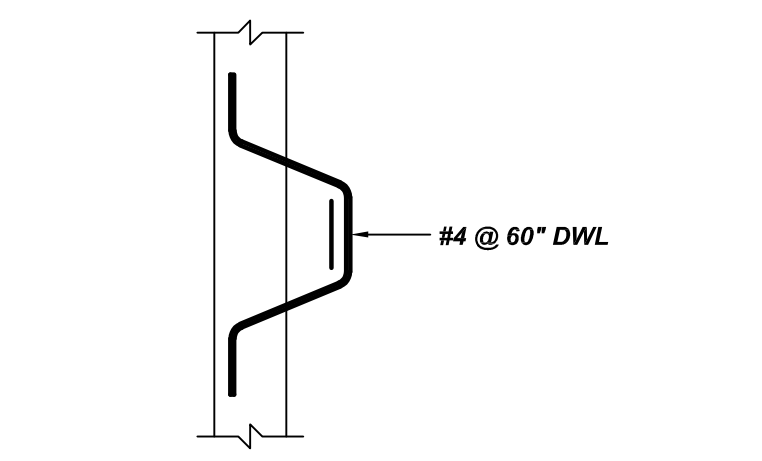
GRADE	A615/60(UNO)		
PREFIX	D		
BAR LIST NOS.			
REV	DESCRIPTION	ISSUED DATE	ISSUED FOR
0	IFA	09/20/2022	APPROVAL
STRUCTURE	BUILDING-A PANEL REINFORCEMENT DETAILS		
FLOOR	A45 & A46 PANEL (EL: -1'-4" TO 40')		
JOB NO.			
CUSTOMER			
JOB	ELLIOT_GATEWAY TECH CENTER		
LOCATION	10650 E. ELLIOT ROAD.		
DRAWN	DATE	CONTROL CODE	DWS. NO.
MRS	09/20/2022	-	R29



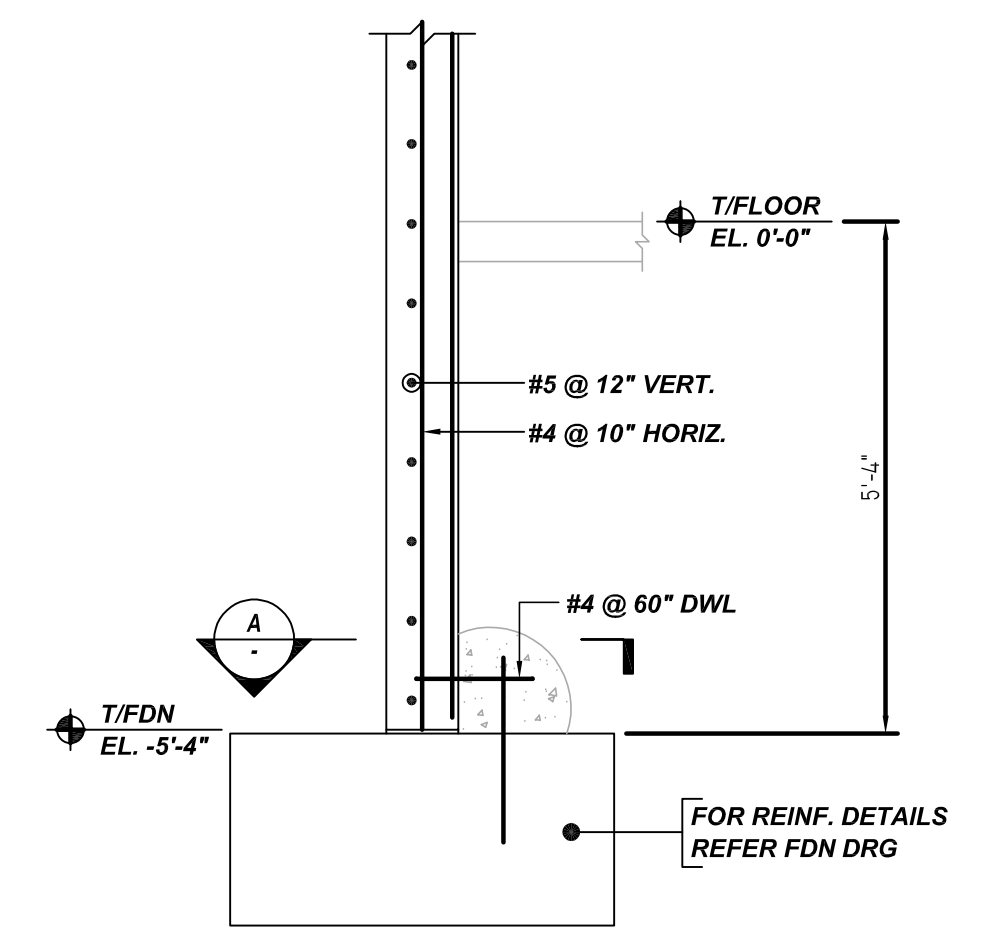
9" THK PANEL
PANEL A47
 REF:TYPE-1/S-303(DT.02/07/22)
 REF:SA111, SA301(DT.02/07/22)
 SCALE: 1/4" = 1'-0"

A/E PLEASE VERIFY STOCK LENGTH EXCEED 40'-0" PLEASE CONFIRM (TYP.)

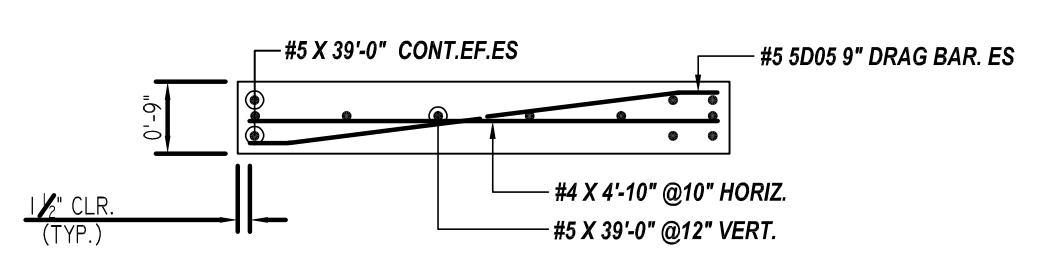
9" THK PANEL
PANEL A48
 REF:TYPE-14/S-306(DT.02/07/22)
 REF:SA111, SA301(DT.02/07/22)
 SCALE: 1/4" = 1'-0"



A SECTION
 REF:S-401/102 (DT.02/07/22)
 SCALE: 1/2" = 1'-0"

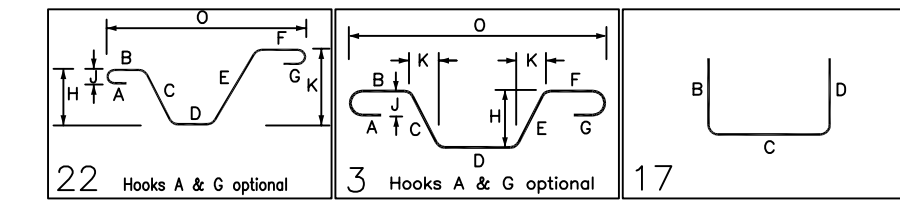


TYPICAL PRECAST CONCRETE PANEL AT CONCRETE FOOTING
 REF:S-401/102 (DT.02/07/22)
 SCALE: 1/2" = 1'-0"



20 SECTION
 REF:TYPE-1/S-303(DT.02/07/22)
 SCALE: 1/2" = 1'-0"

Bar Mark	Dy	Size	Total Length	Type	X	Y	Z	W	V	U	T	S	R	Q	P	O	N	M	L	K	J	I	H	G	F	E	D	C	B	A		
4001	5	#4	5'-0 3/4	22																												
5005	108	#5	7'-5 1/2	3																												
5006	2	#5	6'-3 3/8	17																												
5007	2	#5	32'-3 1/2	17																												
5008	2	#5	31'-1 1/2	17																												
5009	2	#5	6'-0 1/2	17																												
5010	2	#5	7'-9 1/2	17																												
5011	4	#5	7'-9 3/4	17																												



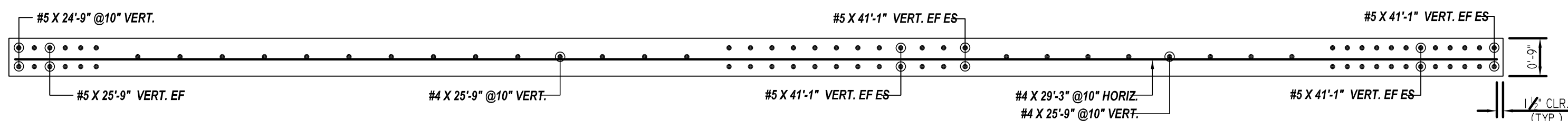
TYPICAL REINFORCING BAR CLEARANCE TABLE	
LOCATION	MIN. COVER
PANEL	1 1/2" CLR

LAP SCHEDULE		
4000 PSI (CLASS-B) CASE - 1		
Per S5.01/3		
BAR#	LENGTHS	
	TOP	OTHERS
#3	24"	19"
#4	33"	25"
#5	41"	31"
#6	49"	37"
#7	71"	54"
#8	81"	62"
#9	91"	70"
#10	102"	79"
#11	113"	87"

ALL BARS IN THIS DRAWING
ASTM A615 GRADE 60
BLACK UNCOATED

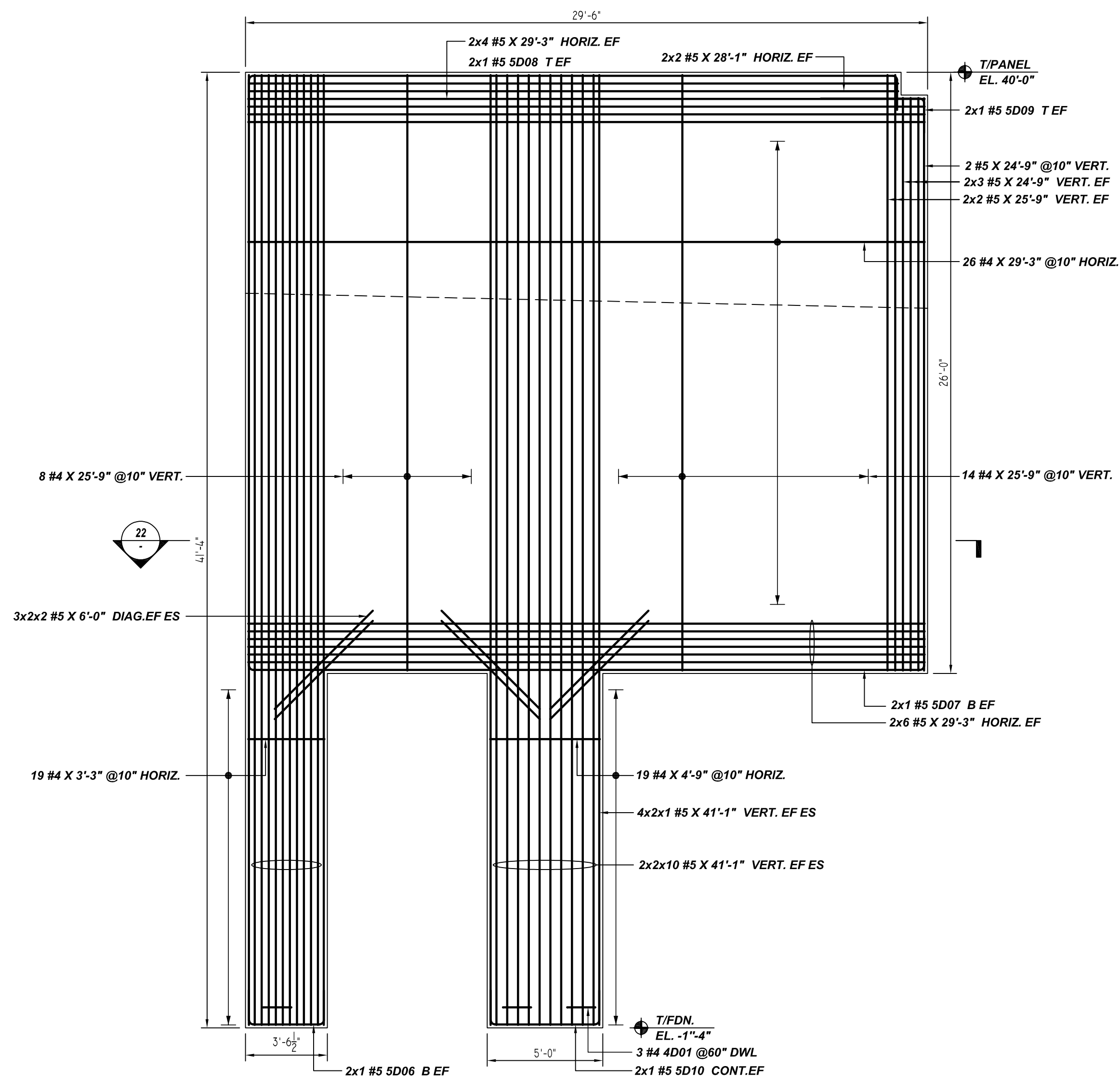
FOR APPROVAL

ALL TOP BARS ARE DEFINED AS HORIZ BARS WITH MORE THAN 12" OF CONCRETE BELOW BARS.



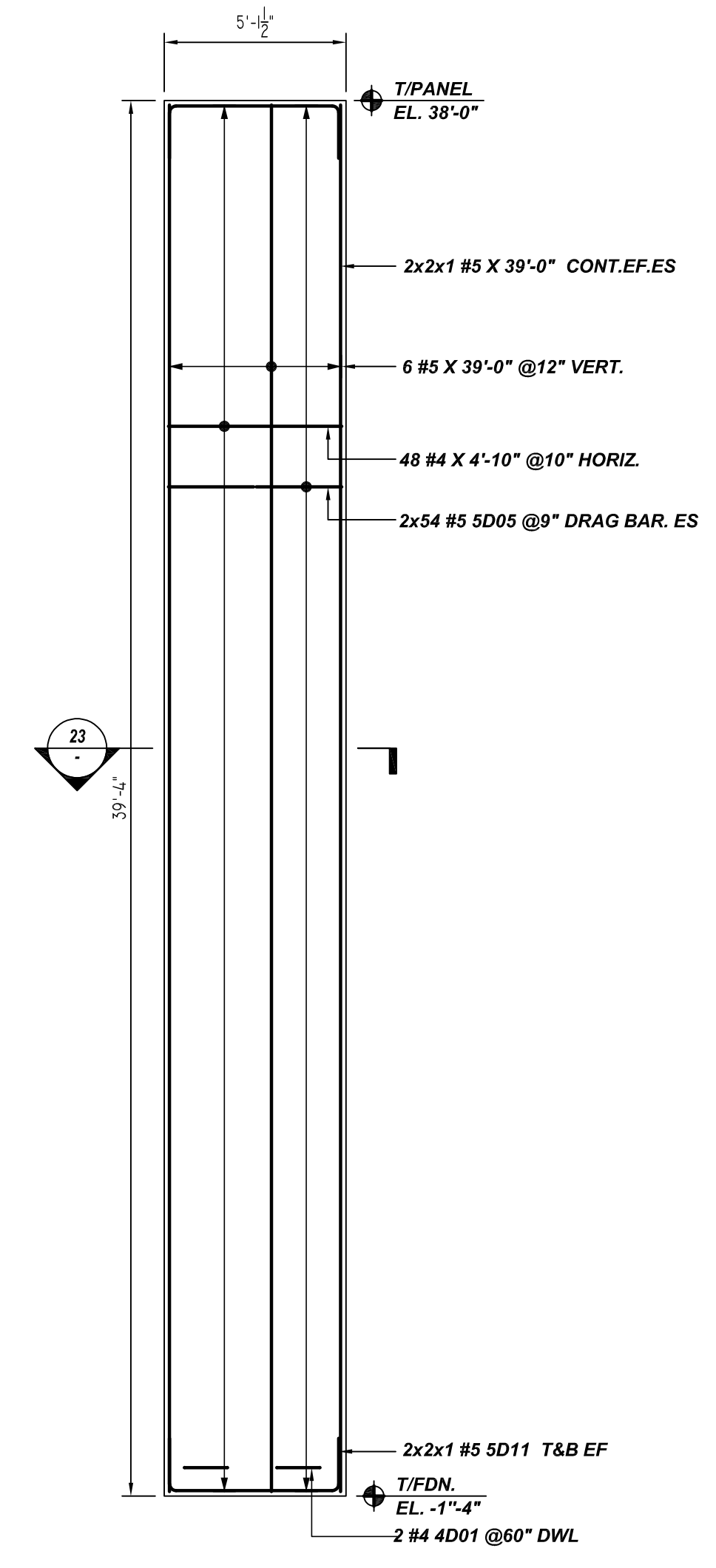
21 SECTION
 REF:TYPE-14/S-306(DT.02/07/22)
 SCALE: 1/2" = 1'-0"

GRADE	A615/60(UNO)				
PREFIX	D				
BAR LIST NOS.					
REV	DESCRIPTION	ISSUED DATE	ISSUED FOR	STRUCTURE	BUILDING-A PANEL REINFORCEMENT DETAILS
0	IFA	09/20/2022	APPROVAL	FLOOR	A47 & A48 PANEL (EL: -1'-4" TO 40')
				JOB NO	
				CUSTOMER	
				JOB	ELLIOT_GATEWAY TECH CENTER
				LOCATION	10650 E. ELLIOT ROAD.
				DRAWN	
				DATE	
				CONTROL CODE	
				DWS. NO.	
	MRS	09/20/2022			R30

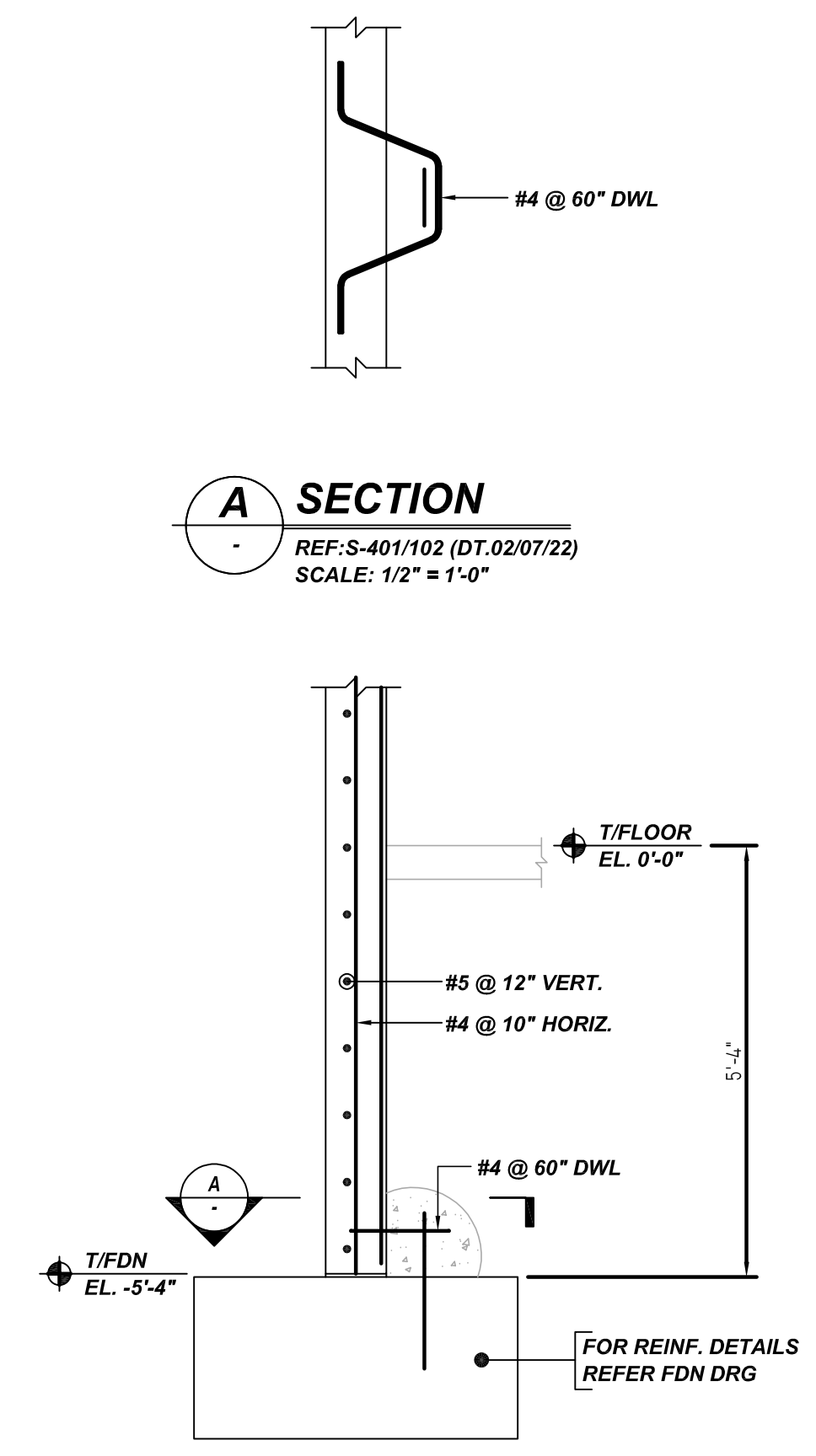


PANEL A49
 REF:TYPE-14/S-306(DT.02/07/22)
 REF:SA111, SA301(DT.02/07/22)
 SCALE: 1/4" = 1'-0"

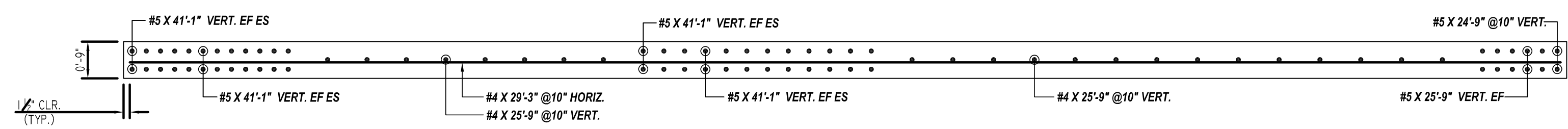
A/E PLEASE VERIFY STOCK LENGTH EXCEED 40'-0" PLEASE CONFIRM (TYP.)



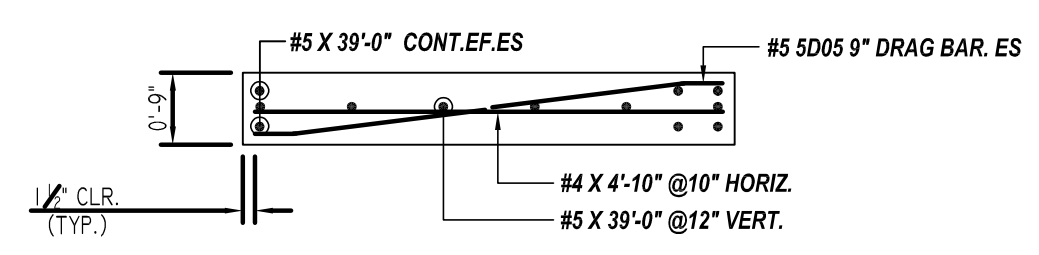
PANEL A50
 REF:TYPE-1/S-303(DT.02/07/22)
 REF:SA111, SA301(DT.02/07/22)
 SCALE: 1/4" = 1'-0"



TYPICAL PRECAST CONCRETE PANEL AT CONCRETE FOOTING
 REF:S-401/102 (DT.02/07/22)
 SCALE: 1/2" = 1'-0"

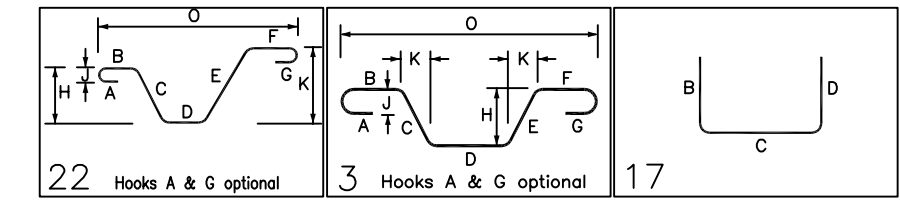


22 SECTION
 REF:TYPE-14/S-306(DT.02/07/22)
 SCALE: 1/2" = 1'-0"



23 SECTION
 REF:TYPE-1/S-303(DT.02/07/22)
 SCALE: 1/2" = 1'-0"

Bar Mark	Qty	#	Size	Total Length	Type	X	Y	Z	W	V	U	T	S	R	Q	P
4001	5	#4	5'-0 X	22		0'-8 X	1'-4	1'-0	1'-4	0'-8 X						
5005	108	#5	7'-5	3		0'-5	7'-0									
5006	2	#5	6'-3 X	17		1'-5	5'-3 X	1'-4								
5007	2	#5	10'-3	17		1'-5	29'-3	1'-4								
5008	2	#5	31'-1	17		1'-5	28'-1	1'-4								
5009	2	#5	6'-0	17		1'-5	4'-5									
5010	2	#5	7'-9	17		1'-5	4'-9	1'-4								
5011	4	#5	7'-9 X	17		1'-5	4'-9 X	1'-4								



TYPICAL REINFORCING BAR CLEARANCE TABLE	
LOCATION	MIN. COVER
PANEL	1 1/2" CLR

**ALL BARS IN THIS DRAWING
 ASTM A615 GRADE 60
 BLACK UNCOATED**

FOR APPROVAL

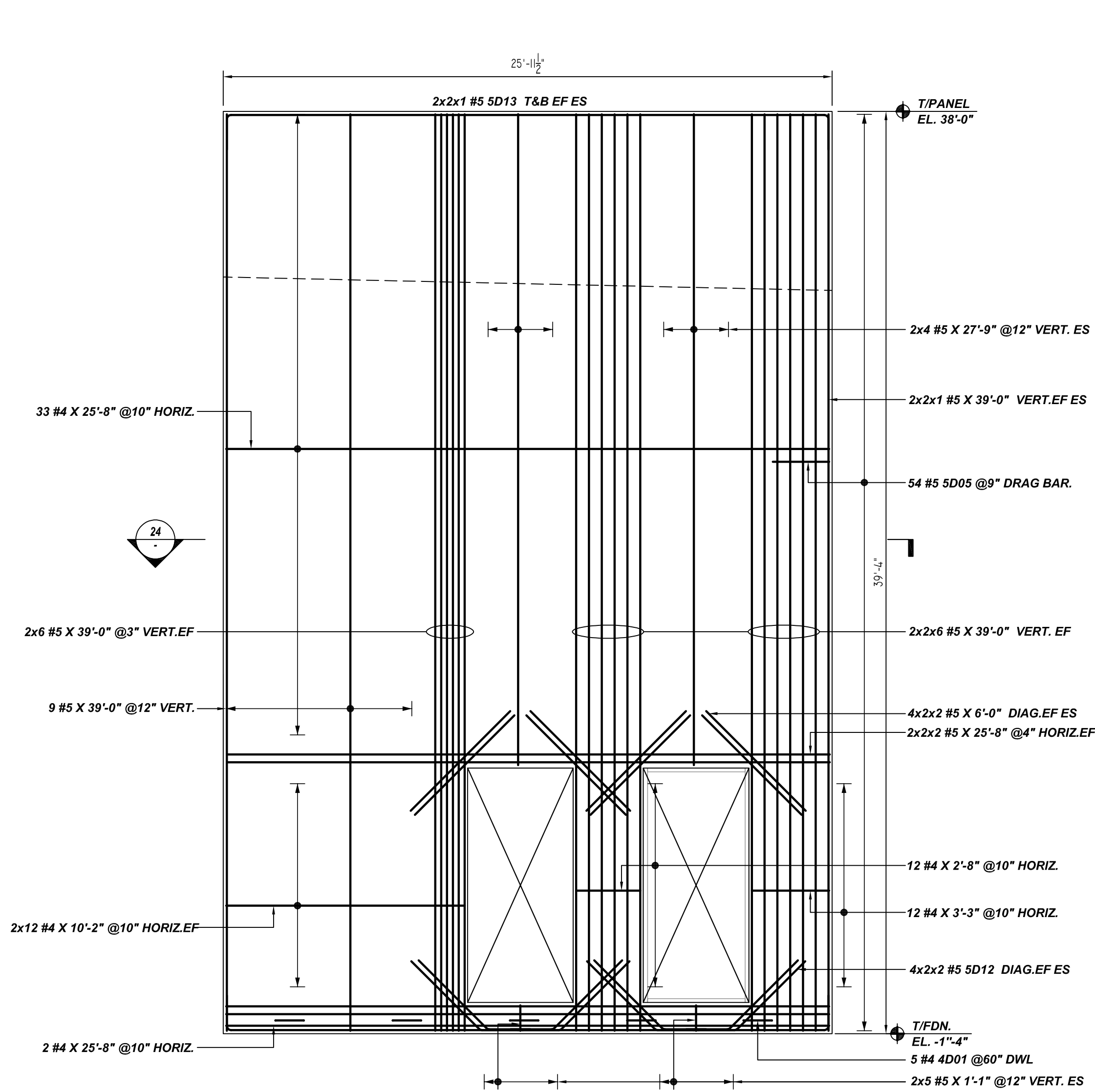
LAP SCHEDULE

4000 PSI (CLASS-B) CASE - 1
 Per S5.01/3

BAR#	LENGTHS	
	TOP	OTHERS
#3	24"	19"
#4	33"	25"
#5	41"	31"
#6	49"	37"
#7	71"	54"
#8	81"	62"
#9	91"	70"
#10	102"	79"
#11	113"	87"

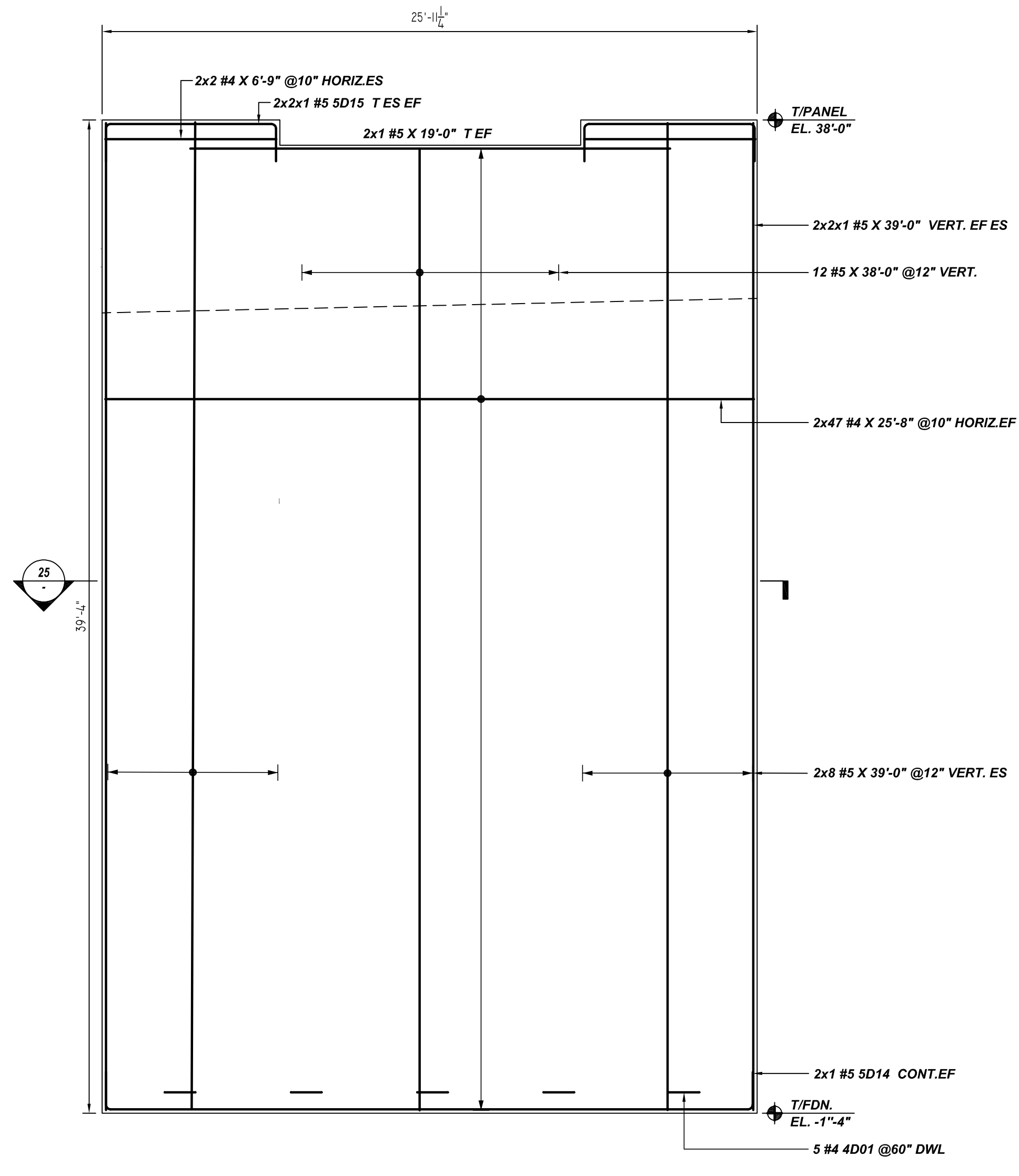
ALL TOP BARS ARE DEFINED AS HORIZ BARS WITH MORE THAN 12" OF CONCRETE BELOW BARS.

GRADE	A615/60(UNO)		
PREFIX	D		
BAR LIST NOS.			
REV	DESCRIPTION	ISSUED DATE	ISSUED FOR
0	IFA	09/20/2022	APPROVAL
STRUCTURE	BUILDING-A PANEL REINFORCEMENT DETAILS		
FLOOR	A49 & A50 PANEL (EL: -1'-4" TO 40')		
JOB NO.			
CUSTOMER			
JOB	ELLIOT_GATEWAY TECH CENTER		
LOCATION	10650 E. ELLIOT ROAD.		
DRAWN	DATE	CONTROL CODE	DWS. NO.
MRS	09/20/2022	-	R31

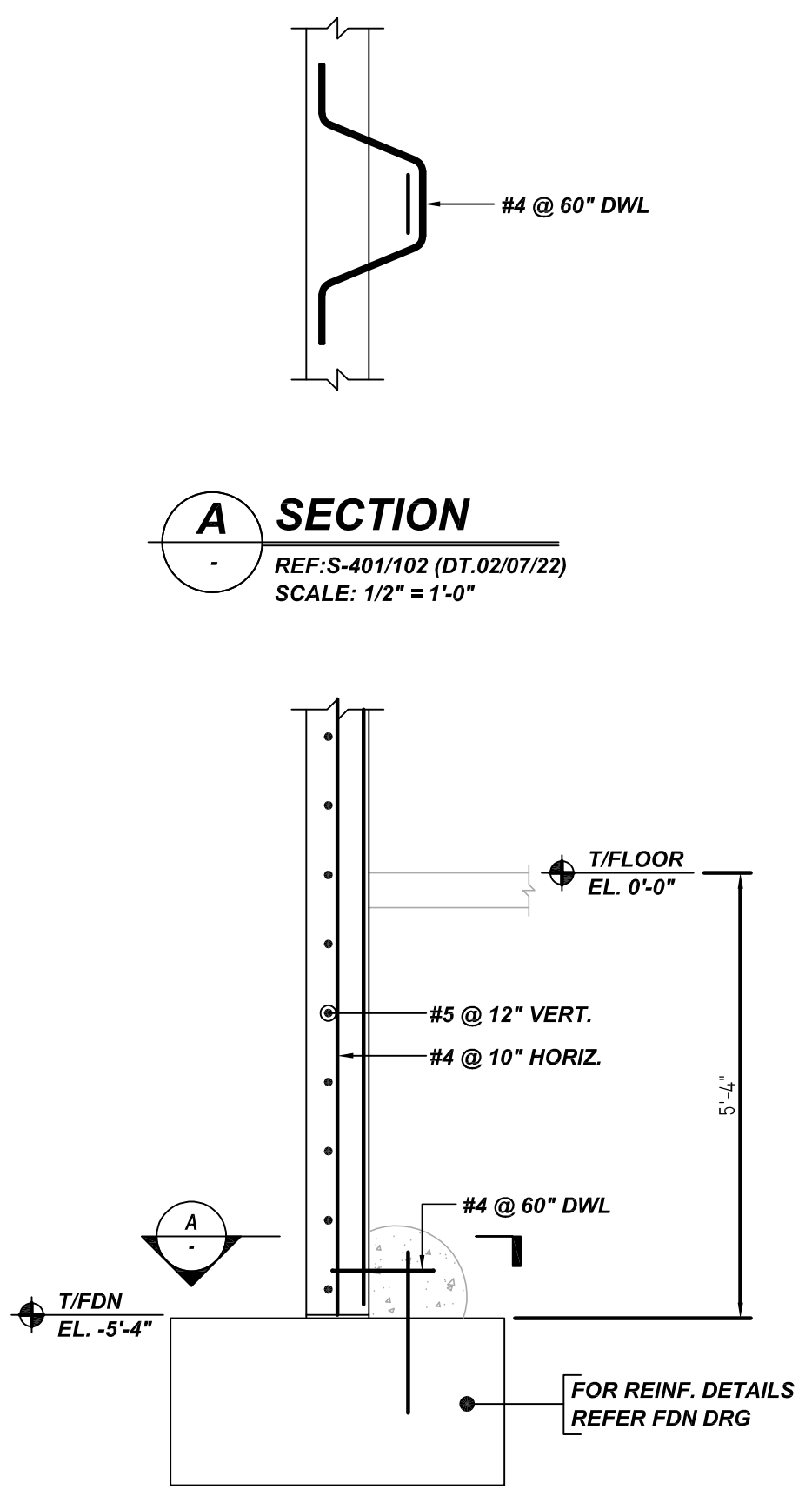


PANEL A51
 REF: TYPE-10/S-305(DT.02/07/22)
 REF: SA111, SA301(DT.02/07/22)
 SCALE: 1/4" = 1'-0"

A/E PLEASE VERIFY STOCK LENGTH EXCEED 40'-0" PLEASE CONFIRM (TYP.)

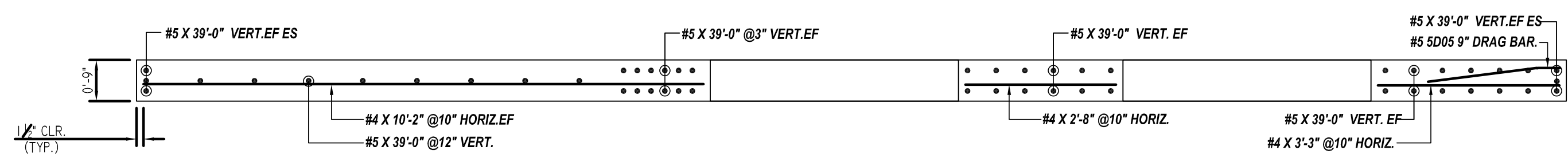


PANEL A52
 REF: TYPE-10/S-303(DT.02/07/22)
 REF: SA111, SA301(DT.02/07/22)
 SCALE: 1/4" = 1'-0"

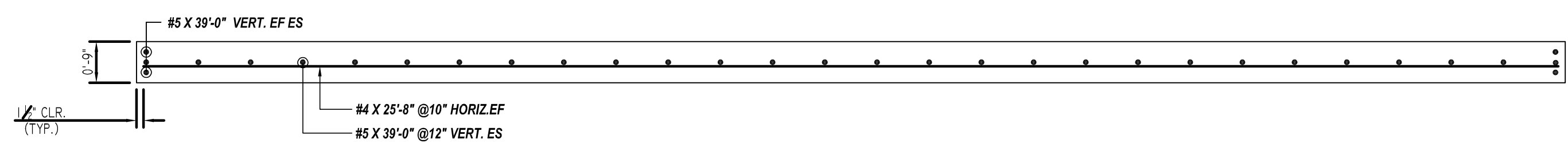


SECTION A
 REF: S-401/102 (DT.02/07/22)
 SCALE: 1/2" = 1'-0"

TYPICAL PRECAST CONCRETE PANEL AT CONCRETE FOOTING
 REF: S-401/102 (DT.02/07/22)
 SCALE: 1/2" = 1'-0"

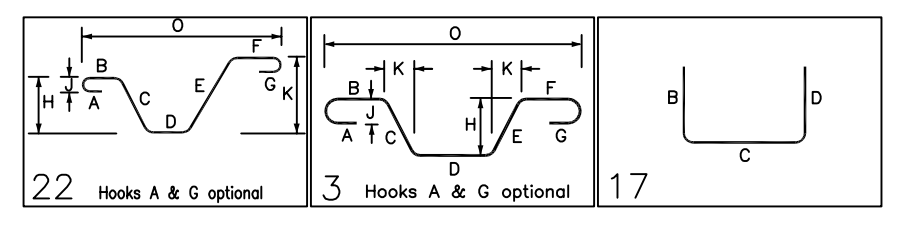


24 SECTION
 REF: TYPE-10/S-305(DT.02/07/22)
 SCALE: 1/2" = 1'-0"



25 SECTION
 REF: TYPE-10/S-303(DT.02/07/22)
 SCALE: 1/2" = 1'-0"

Bar Mark	Qty	Size	Total Length	Type	X	Y	Z	W	V	U	T	S	R	Q	P	O
4001	10	#4	5'-0 X	22				0'-8 X	1'-4	1'-0	1'-4		0'-8 X			
5005	54	#5	2'-5	3				0'-5	2'-0				0'-3 X	1'-3	1'-3	2'-4 X
5012	16	#5	5'-11 X	3				1'-10	4'-1 X				2'-11 X	2'-10 X	4'-8 X	
5013	4	#5	28'-8 X	17				1'-6	25'-8 X	1'-8						
5014	2	#5	28'-8	17				1'-6	25'-8	1'-8						
5015	4	#5	9'-9 X	17				1'-6	6'-9 X	1'-8						



LOCATION	MIN. COVER
PANEL	1 1/2" CLR

**ALL BARS IN THIS DRAWING
 ASTM A615 GRADE 60
 BLACK UNCOATED**

FOR APPROVAL

LAP SCHEDULE

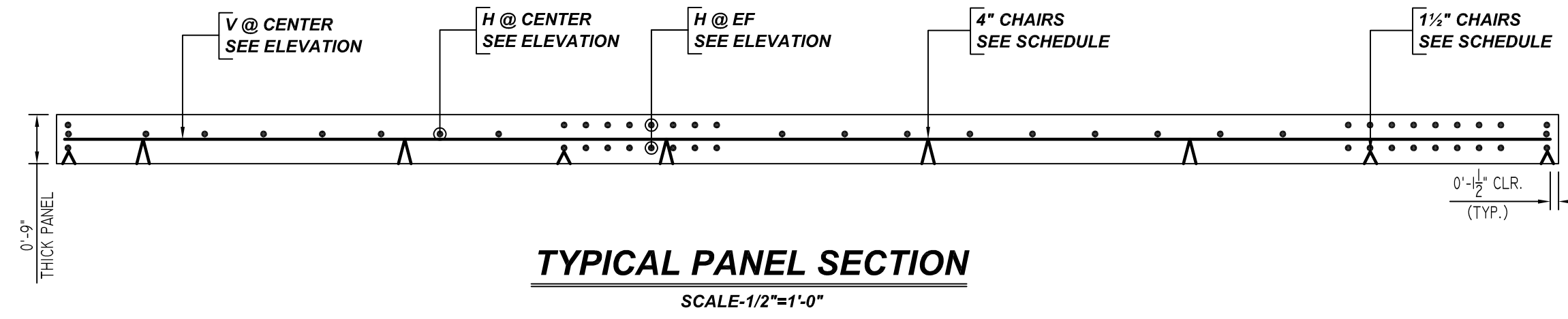
4000 PSI (CLASS-B) CASE - 1
 Per S5.013

BAR#	LENGTHS	
	TOP	OTHERS
#3	24"	19"
#4	33"	25"
#5	41"	31"
#6	49"	37"
#7	71"	54"
#8	81"	62"
#9	91"	70"
#10	102"	79"
#11	113"	87"

ALL TOP BARS ARE DEFINED AS HORIZ BARS WITH MORE THAN 12" OF CONCRETE BELOW BARS.

GRADE	A615/60(UNO)		
PREFIX	D		
BAR LIST NOS.			
REV	DESCRIPTION	ISSUED DATE	ISSUED FOR
0	IFA	09/20/2022	APPROVAL
STRUCTURE	BUILDING-A PANEL REINFORCEMENT DETAILS		
FLOOR	A51 & A52 PANEL (EL: -1'-4" TO 40')		
JOB NO			
CUSTOMER			
JOB	ELLIOT_GATEWAY TECH CENTER		
LOCATION	10650 E. ELLIOT ROAD.		
DRAWN	DATE	CONTROL CODE	DWS. NO.
MRS	09/20/2022	-	R32

ACCESSORIES SCHEDULE						
S.NO	ELEMENT	DESCRIPTION	HEIGHT	QTY	LFT	REMARK
1	PANEL-A28 9" THICK PANEL	1 1/2" CHAIRS @4'-0" C/C	1 1/2"	50	-	CHAIR TO BOTTOM SUPPORT
		4" CHAIRS @4'-0" C/C	4"	104	-	CHAIR TO MID SUPPORT
2	PANEL-A29 9" THICK PANEL	4" CHAIRS @4'-0" C/C	4"	8	-	CHAIR TO MID SUPPORT
3	PANEL-A30 9" THICK PANEL	1 1/2" CHAIRS @4'-0" C/C	1 1/2"	20	-	CHAIR TO BOTTOM SUPPORT
4	PANEL-A31 9" THICK PANEL	4" CHAIRS @4'-0" C/C	4"	20	-	CHAIR TO MID SUPPORT
5	PANEL-A32 9" THICK PANEL	4" CHAIRS @4'-0" C/C	4"	70	-	CHAIR TO MID SUPPORT
6	PANEL-A33 9" THICK PANEL	4" CHAIRS @4'-0" C/C	4"	70	-	CHAIR TO MID SUPPORT
7	PANEL-A34 9" THICK PANEL	1 1/2" CHAIRS @4'-0" C/C	1 1/2"	30	-	CHAIR TO BOTTOM SUPPORT
		4" CHAIRS @4'-0" C/C	4"	64	-	CHAIR TO MID SUPPORT
8	PANEL-A35 9" THICK PANEL	4" CHAIRS @4'-0" C/C	4"	20	-	CHAIR TO MID SUPPORT
9	PANEL-A36 9" THICK PANEL	1 1/2" CHAIRS @4'-0" C/C	1 1/2"	51	-	CHAIR TO BOTTOM SUPPORT
		4" CHAIRS @4'-0" C/C	4"	22	-	CHAIR TO MID SUPPORT
10	PANEL-A37 9" THICK PANEL	1 1/2" CHAIRS @4'-0" C/C	1 1/2"	51	-	CHAIR TO BOTTOM SUPPORT
		4" CHAIRS @4'-0" C/C	4"	22	-	CHAIR TO MID SUPPORT
11	PANEL-A38 9" THICK PANEL	4" CHAIRS @4'-0" C/C	4"	20	-	CHAIR TO MID SUPPORT
12	PANEL-A39 9" THICK PANEL	1 1/2" CHAIRS @4'-0" C/C	1 1/2"	30	-	CHAIR TO BOTTOM SUPPORT
		4" CHAIRS @4'-0" C/C	4"	64	-	CHAIR TO MID SUPPORT
13	PANEL-A40 9" THICK PANEL	1 1/2" CHAIRS @4'-0" C/C	1 1/2"	30	-	CHAIR TO BOTTOM SUPPORT
		4" CHAIRS @4'-0" C/C	4"	64	-	CHAIR TO MID SUPPORT
14	PANEL-A41 9" THICK PANEL	4" CHAIRS @4'-0" C/C	4"	20	-	CHAIR TO MID SUPPORT
15	PANEL-A42 9" THICK PANEL	1 1/2" CHAIRS @4'-0" C/C	1 1/2"	51	-	CHAIR TO BOTTOM SUPPORT
		4" CHAIRS @4'-0" C/C	4"	22	-	CHAIR TO MID SUPPORT
16	PANEL-A43 9" THICK PANEL	1 1/2" CHAIRS @4'-0" C/C	1 1/2"	51	-	CHAIR TO BOTTOM SUPPORT
		4" CHAIRS @4'-0" C/C	4"	22	-	CHAIR TO MID SUPPORT
17	PANEL-A44 9" THICK PANEL	4" CHAIRS @4'-0" C/C	4"	20	-	CHAIR TO MID SUPPORT
18	PANEL-A45 9" THICK PANEL	1 1/2" CHAIRS @4'-0" C/C	1 1/2"	30	-	CHAIR TO BOTTOM SUPPORT
		4" CHAIRS @4'-0" C/C	4"	64	-	CHAIR TO MID SUPPORT
19	PANEL-A46 9" THICK PANEL	1 1/2" CHAIRS @4'-0" C/C	1 1/2"	30	-	CHAIR TO BOTTOM SUPPORT
		4" CHAIRS @4'-0" C/C	4"	64	-	CHAIR TO MID SUPPORT
20	PANEL-A47 9" THICK PANEL	4" CHAIRS @4'-0" C/C	4"	20	-	CHAIR TO MID SUPPORT
21	PANEL-A48 9" THICK PANEL	1 1/2" CHAIRS @4'-0" C/C	1 1/2"	51	-	CHAIR TO BOTTOM SUPPORT
		4" CHAIRS @4'-0" C/C	4"	22	-	CHAIR TO MID SUPPORT
22	PANEL-A49 9" THICK PANEL	1 1/2" CHAIRS @4'-0" C/C	1 1/2"	51	-	CHAIR TO BOTTOM SUPPORT
		4" CHAIRS @4'-0" C/C	4"	22	-	CHAIR TO MID SUPPORT
23	PANEL-A50 9" THICK PANEL	4" CHAIRS @4'-0" C/C	4"	20	-	CHAIR TO MID SUPPORT
24	PANEL-A51 9" THICK PANEL	1 1/2" CHAIRS @4'-0" C/C	1 1/2"	30	-	CHAIR TO BOTTOM SUPPORT
		4" CHAIRS @4'-0" C/C	4"	64	-	CHAIR TO MID SUPPORT
25	PANEL-A52 9" THICK PANEL	4" CHAIRS @4'-0" C/C	4"	70	-	CHAIR TO MID SUPPORT
26	PANEL-A53 9" THICK PANEL	4" CHAIRS @4'-0" C/C	4"	70	-	CHAIR TO MID SUPPORT
27	PANEL-A54 9" THICK PANEL	4" CHAIRS @4'-0" C/C	4"	20	-	CHAIR TO MID SUPPORT
28	PANEL-A55 9" THICK PANEL	1 1/2" CHAIRS @4'-0" C/C	1 1/2"	20	-	CHAIR TO BOTTOM SUPPORT
29	PANEL-A56 9" THICK PANEL	1 1/2" CHAIRS @4'-0" C/C	1 1/2"	50	-	CHAIR TO BOTTOM SUPPORT
		4" CHAIRS @4'-0" C/C	4"	104	-	CHAIR TO MID SUPPORT
30	PANEL-A57 9" THICK PANEL	4" CHAIRS @4'-0" C/C	4"	8	-	CHAIR TO MID SUPPORT
31	PANEL-A65 9" THICK PANEL	4" CHAIRS @4'-0" C/C	4"	6 x 36=216	-	CHAIR TO MID SUPPORT



FOR APPROVAL

GRADE	A615/60(UNO)		
PREFIX	D		
BAR LIST NOS.			
REV	DESCRIPTION	ISSUED DATE	ISSUED FOR
0	IFA	09/20/2022	APPROVAL
STRUCTURE			
BUILDING-A PANEL REINFORCEMENT DETAILS			
FLOOR			
A28 TO A57 PANEL (EL: -1'-4" TO 40")			
JOB NO			
-			
CUSTOMER			
-			
JOB			
ELLIOT_GATEWAY TECH CENTER			
LOCATION			
10650 E. ELLIOT ROAD.			
DRAWN	DATE	CONTROL CODE	DWS. NO.
MRS	09/20/2022	-	R35A