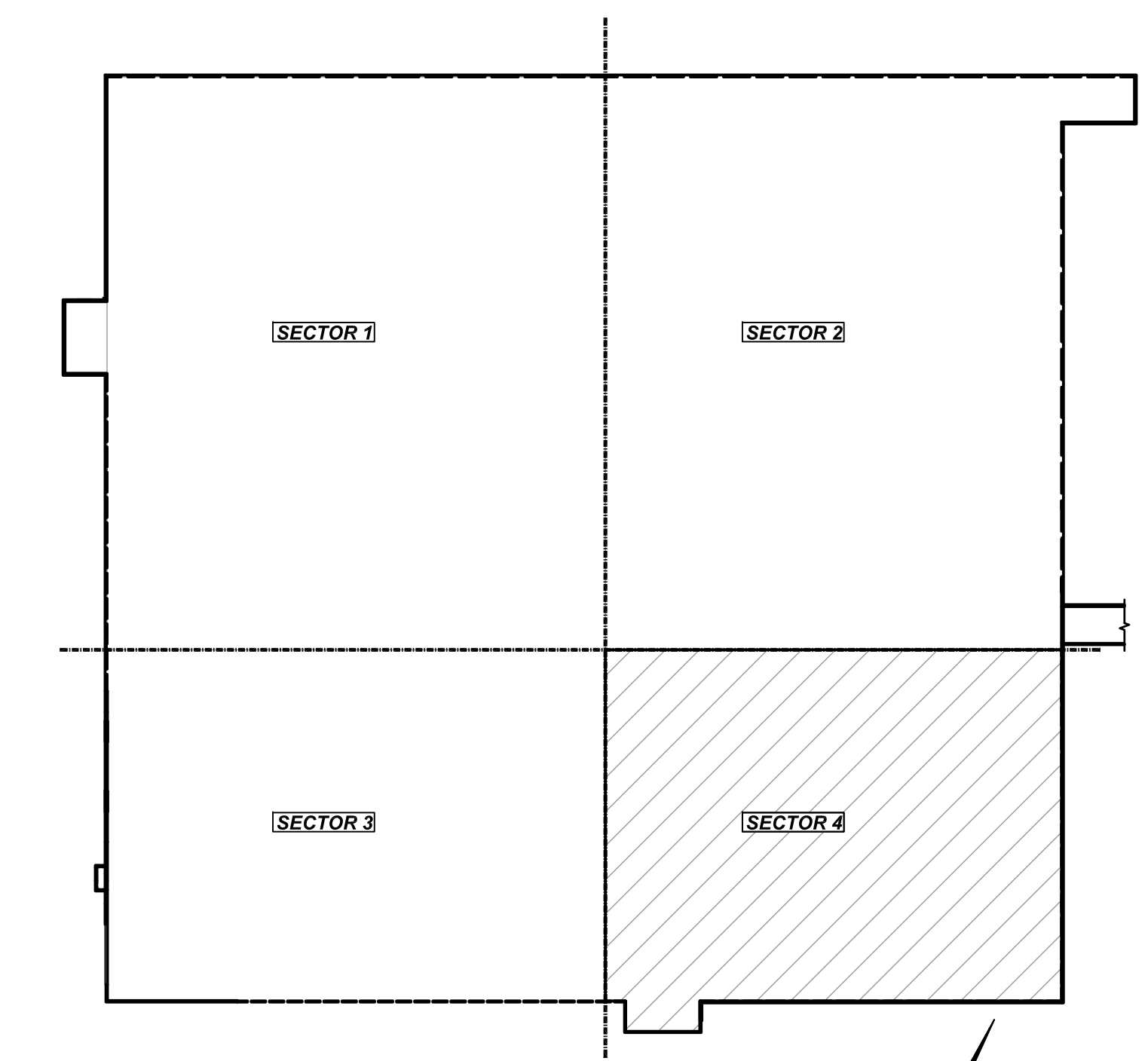
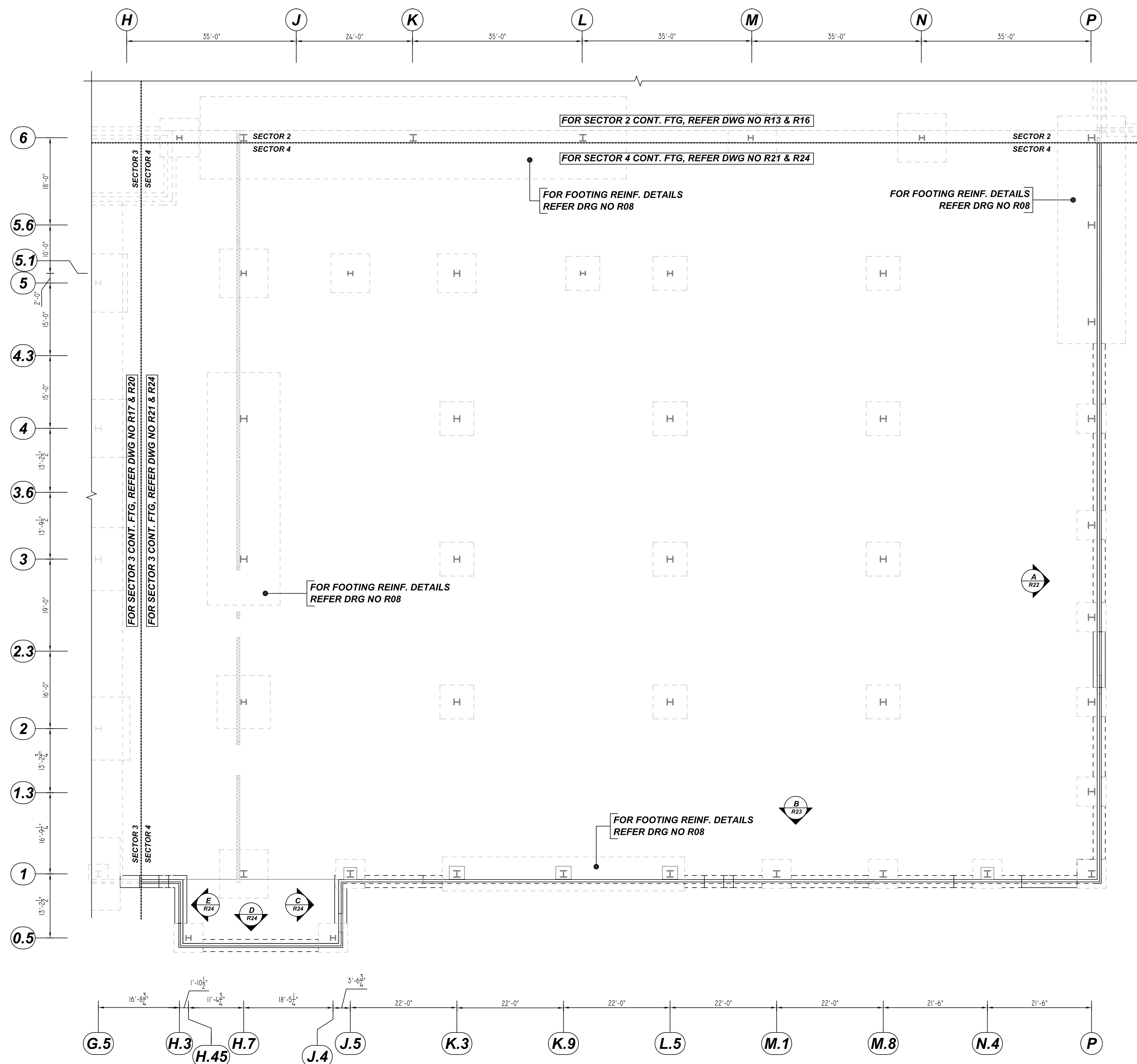


NOTICE

SHORTAGES, IMPROPER FABRICATION OR CLAIMS FOR ANY OTHER REASON MUST BE REPORTED TO THIS COMPANY WITHIN 10 DAYS FROM ORIGINAL DELIVERY. THIS COMPANY ALSO RESERVES THE RIGHT TO FIELD INSPECT MATERIALS PRIOR TO REPLACEMENT OR RECONDITIONING OF MATERIALS AND WILL NOT BE LIABLE FOR CHARGES FROM WORK DONE IN THE FIELD WITHOUT PRIOR AUTHORIZATION FROM THIS COMPANY.

REINFORCING STEEL PLACING DRAWING ONLY. USE IN CONJUNCTION WITH CONTRACT DRAWINGS & SPECIFICATIONS. ELEVATIONS & DIMENSIONS SHOWN ON DRAWING ARE FOR DETAILING PURPOSES ONLY AND SHOULD NOT BE USED FOR CONSTRUCTION UNLESS VERIFIED BY ENGINEER OR CONTRACTOR.



DP1 BUILDING KEYPLAN

REF: S1.1 (DT.07/29/22)
N.T.S

DP-1 BUILDING SECTOR 4 CONTINUOUS FOOTING REINFORCEMENT DETAILS

REF: 2.1.4 (DT.07/29/22)
SCALE: 1/12" = 1'-0"

TYPICAL REINFORCING BAR CLEARANCE TABLE	
LOCATION	MIN. COVER
FOOTING SIDE & BOTTOM	3" CLR
FOOTING TOP	2" CLR
WALL TOP	1.5" CLR

**ALL BARS IN THIS DRAWING
ASTM A615 GRADE 60
BLACK UNCOATED**

A/E PLEASE VERIFY
FTG & WALL TOP COVER

REBAR GRADE 60 ASTM A-615

SPLICES USED		ABBREVIATIONS		BAR MARK SIZE EQUIVALENT	
CLASS B 4,500 psi UNO				Imperial	Soft Metric
TOP BARS	OTHER BARS	ADD.	Additional	#3	#10
#3 24"	#3 19"	B.O.W.	Bottom of wall	#4	#13
#4 32"	#4 24"	C.B.	Corner Bars	#5	#16
#5 39"	#5 30"	DIAG.	Diagonal	#6	#19
#6 46"	#6 36"	D.O.	Door Opening	#7	#22
#7 67"	#7 52"	DWLS.	Dowels	#8	#25
#8 77"	#8 59"	E.F.	Each Face	#9	#29
#9 86"	#9 67"	E.S.	Each Side	#10	#32
#10 95"	#10 73"	E.W.	Each Way	#11	#36
#11 104"	#11 81"	FTG.	Footing		
#14		F.F.	Far Face		
		HORIZ.	Horizontal		
		I.F.	Inside Face		
		INTERS.	Intersection		
		L.W.	Long Way		
		N.F.	Near Face		
		O.F.	Outside Face		
		S.W.	Short Way		
		T&B	Top & Bottom		
		T.O.W.	Top of Wall		
		Trans.	Transverse		
		VERT.	Vertical		

STA PHARMACEUTICAL MIDDLETOWN EXPANSION DP-1
DP-1 BUILDING SECTOR 4 CONTINUOUS FOOTING & WALL REINFORCEMENT DETAILS
MIDDLETOWN, DE 19709

CUSTOMER: -
DESIGNER: -

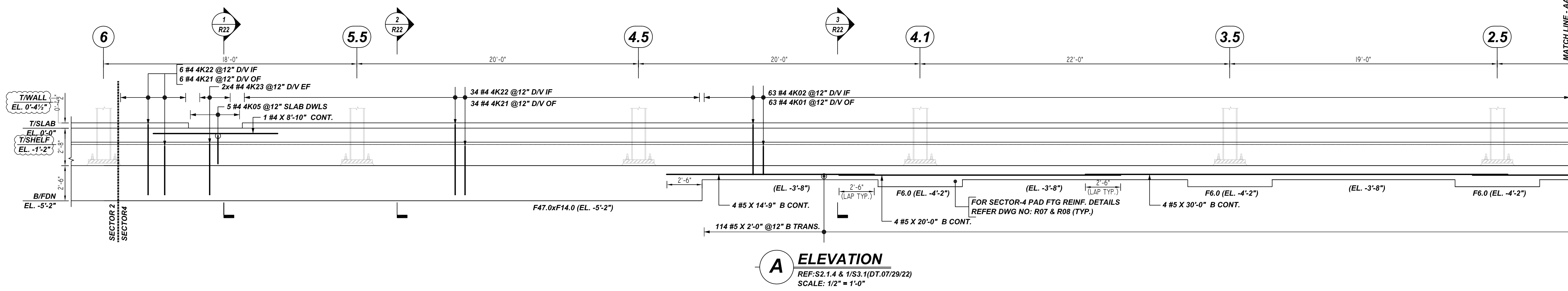
REV NO	DATE	APPROVAL	REV NO	DATE	SENT FOR
0	08.18.22				

DRAWN BY	DATE	JOB NO	SHEET NO.
JSN/MET	08.18.22	-	R21

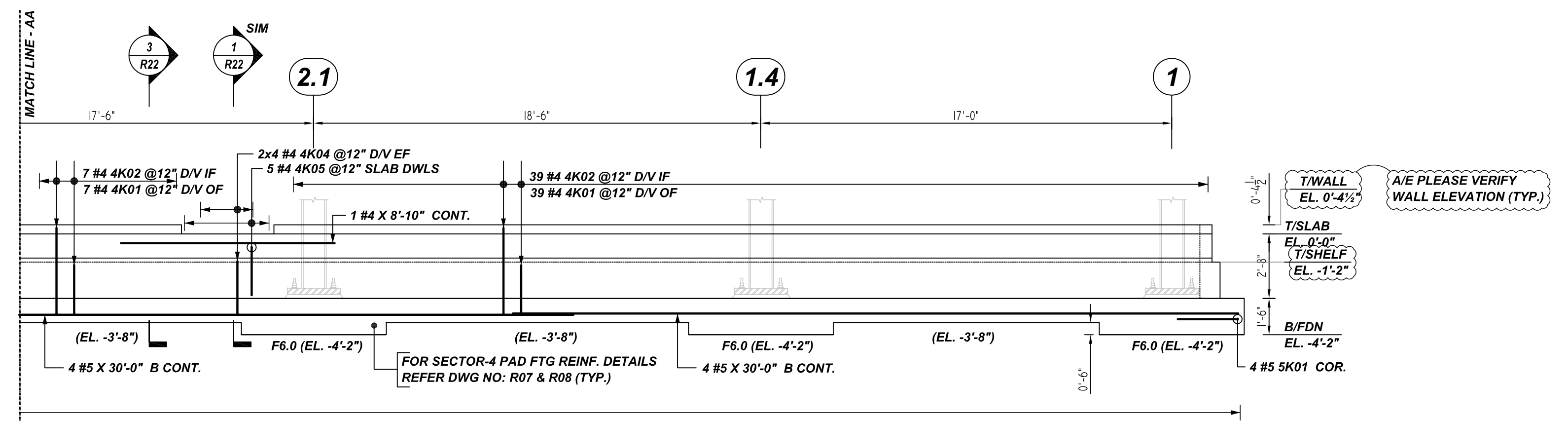
NOTICE

SHORTAGES, IMPROPER FABRICATION OR CLAIMS FOR ANY OTHER REASON MUST BE REPORTED TO THIS COMPANY WITHIN 10 DAYS FROM ORIGINAL DELIVERY. THIS COMPANY ALSO RESERVES THE RIGHT TO FIELD INSPECT MATERIALS PRIOR TO REPLACEMENT OR RECONDITIONING OF MATERIALS AND WILL NOT BE LIABLE FOR CHARGES FROM WORK DONE IN THE FIELD WITHOUT PRIOR AUTHORIZATION FROM THIS COMPANY.

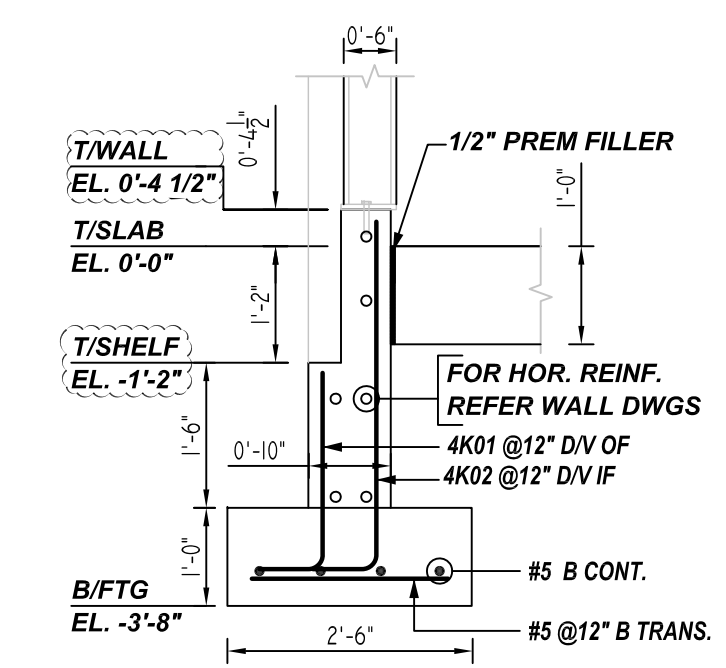
REINFORCING STEEL PLACING DRAWING ONLY. USE IN CONJUNCTION WITH CONTRACT DRAWINGS & SPECIFICATIONS. ELEVATIONS & DIMENSIONS SHOWN ON DRAWING ARE FOR DETAILING PURPOSES ONLY AND SHOULD NOT BE USED FOR CONSTRUCTION UNLESS VERIFIED BY ENGINEER OR CONTRACTOR.



A ELEVATION
REF: S2.1.4 & 1/S3.1 (DT.07/29/22)
SCALE: 1/2" = 1'-0"



A ELEVATION CONT.
REF: S2.1.4 & 1/S3.1 (DT.07/29/22)
SCALE: 1/2" = 1'-0"



3 SECTION
R22 REF: 6/S3.1 (DT.07/29/22)
SCALE: 1/2" = 1'-0"

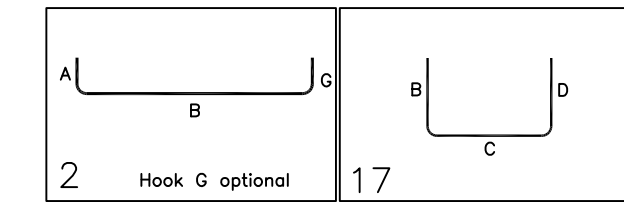
TYPICAL REINFORCING BAR CLEARANCE TABLE

LOCATION	MIN. COVER
FOOTING SIDE & BOTTOM	3" CLR
FOOTING TOP	2" CLR
WALL TOP	1.5" CLR

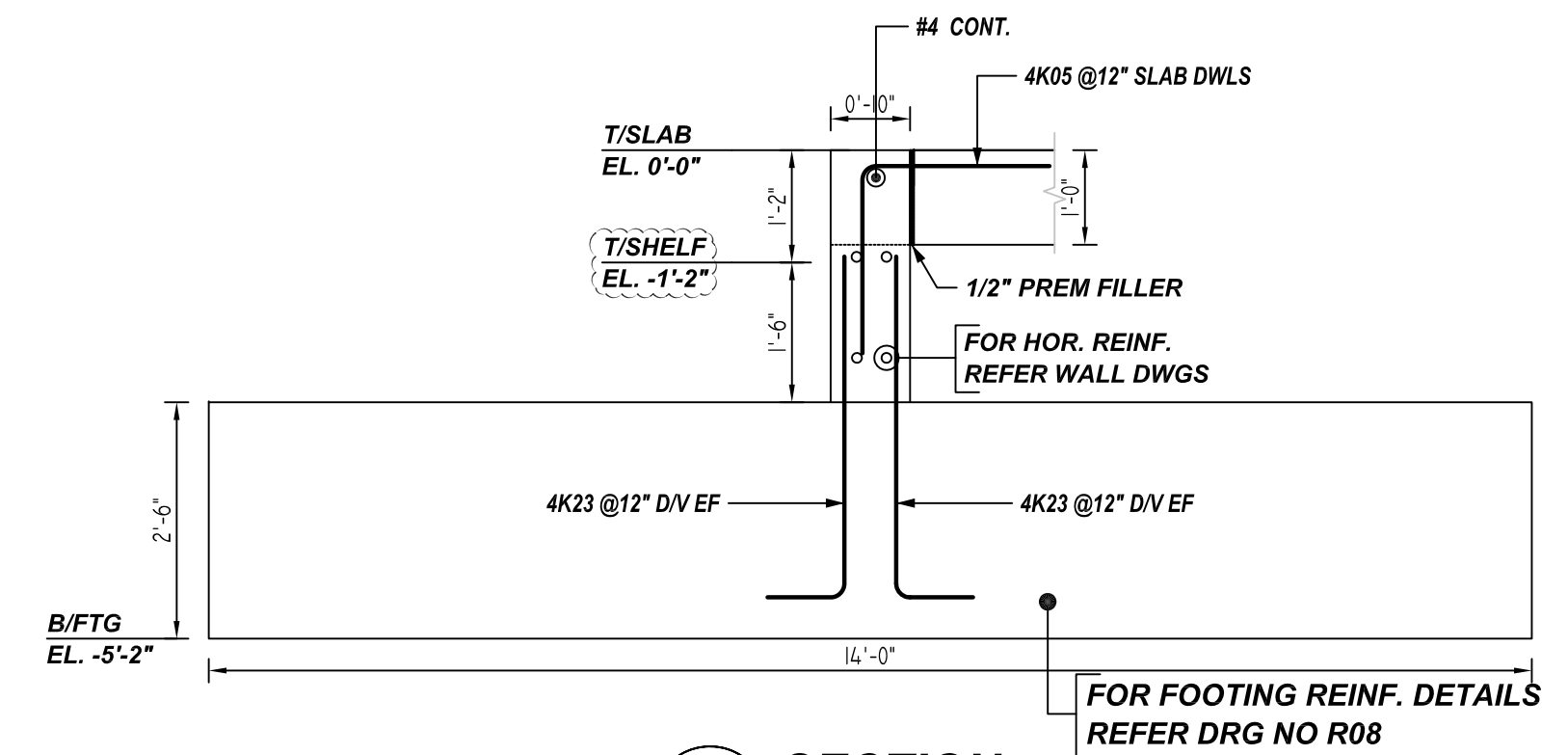
A/E PLEASE VERIFY FTG & WALL TOP COVER

Rebar Number: R22

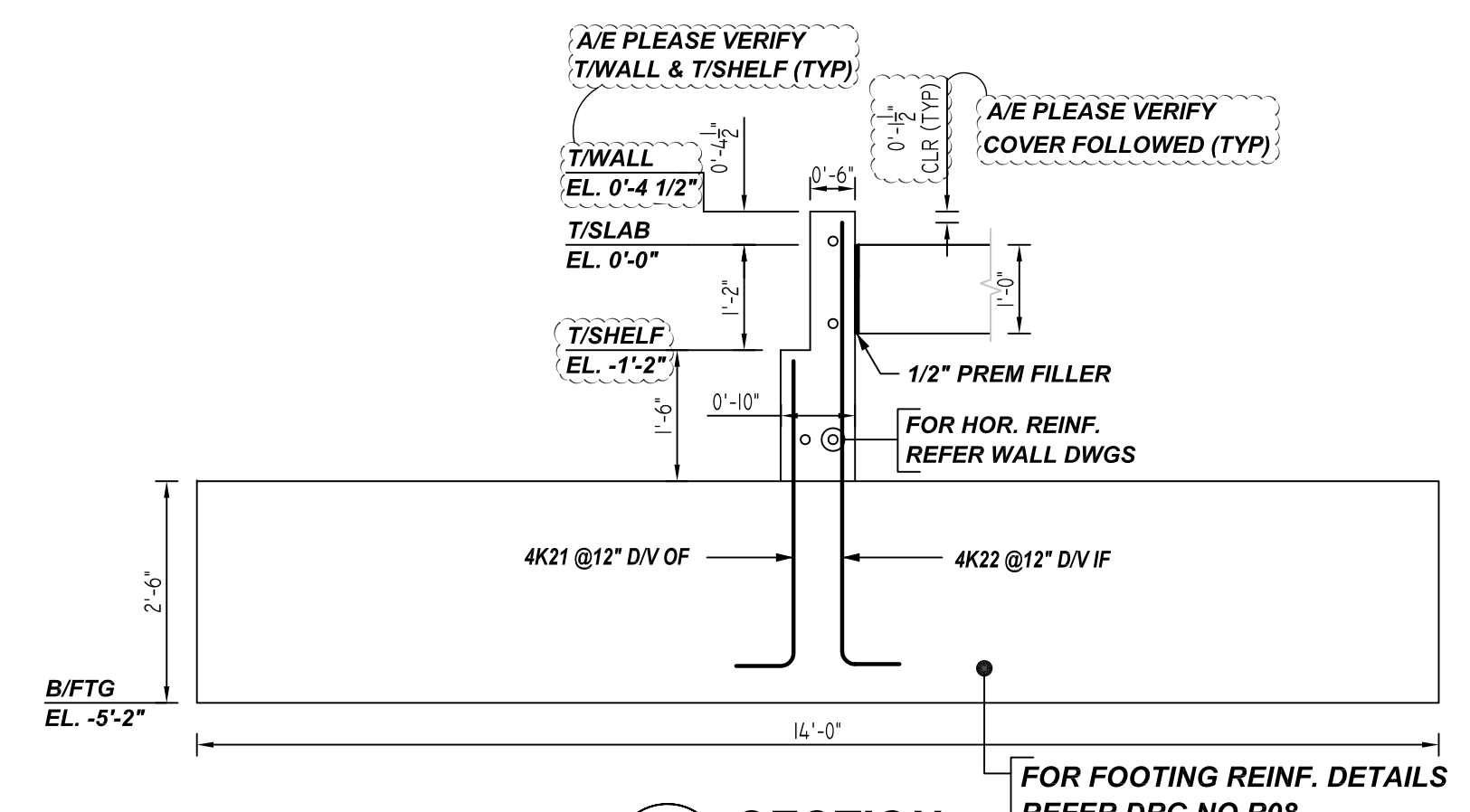
Bar Mark	Qty	Size	Total Length	Type	X	Y	Z	U	V	W	X	Y	Z	U	V	W	X	Y	Z
4K01	108	#4	2'-8 K'	2	0'-8"	3'-6 K'													
4K02	108	#4	4'-2 K'	2	0'-8"	3'-6 K'													
4K04	8	#4	3'-0 K'	2	0'-10"	2'-2 K'													
4K05	10	#4	4'-0	17		2'-0"	2'-0"												
4K21	60	#4	4'-1 1/2'	2	0'-8"	3'-5 K'													
4K22	60	#4	5'-0'	2	0'-8"	3'-5 K'													
4K23	8	#4	4'-5 1/2'	2	0'-10"	3'-3 K'													
5K01	4	#5	5'-0'	17		2'-6"	2'-6"												



**ALL BARS IN THIS DRAWING
ASTM A615 GRADE 60
BLACK UNCOATED**



1 SECTION
R22 REF: 1/S3.1 (DT.07/29/22)
SCALE: 1/2" = 1'-0"



2 SECTION
R22 REF: 1/S3.1 (DT.07/29/22)
SCALE: 1/2" = 1'-0"

REBAR GRADE 60 ASTM A-615

SPLICES USED

CLASS B 4,500 psi UNO	TOP BARS	OTHER BARS
#3 24"	#3 19"	#3 19"
#4 32"	#4 24"	#4 24"
#5 39"	#5 30"	#5 30"
#6 46"	#6 36"	#6 36"
#7 67"	#7 52"	#7 52"
#8 77"	#8 59"	#8 59"
#9 86"	#9 67"	#9 67"
#10 95"	#10 73"	#10 73"
#11 104"	#11 81"	#11 81"
#14	#14	#14

ABBREVIATIONS

- ADD. = Additional
- B.O.W. = Bottom of wall
- C.B. = Corner Bars
- DIAG. = Diagonal
- D.O. = Door Opening
- DWLS. = Dowels
- E.F. = Each Face
- E.S. = Each Side
- E.W. = Each Way
- FTG. = Footing
- F.F. = Far Face
- HORIZ. = Horizontal
- I.F. = Inside Face
- INTERS. = Intersection
- L.W. = Long Way
- N.F. = Near Face
- O.F. = Outside Face
- S.W. = Short Way
- T&B = Top & Bottom
- T.O.W. = Top of Wall
- Trans. = Transverse
- VERT. = Vertical

BAR MARK SIZE EQUIVALENT

Imperial	Soft Metric
#3	#10
#4	#13
#5	#16
#6	#19
#7	#22
#8	#25
#9	#29
#10	#32
#11	#36

STA PHARMACEUTICAL MIDDLETOWN EXPANSION DP-1
DP-1 BUILDING SECTOR 4 CONTINUOUS FOOTING & WALL REINFORCEMENT DETAILS
MIDDLETOWN, DE 19709

CUSTOMER: -
DESIGNER: -

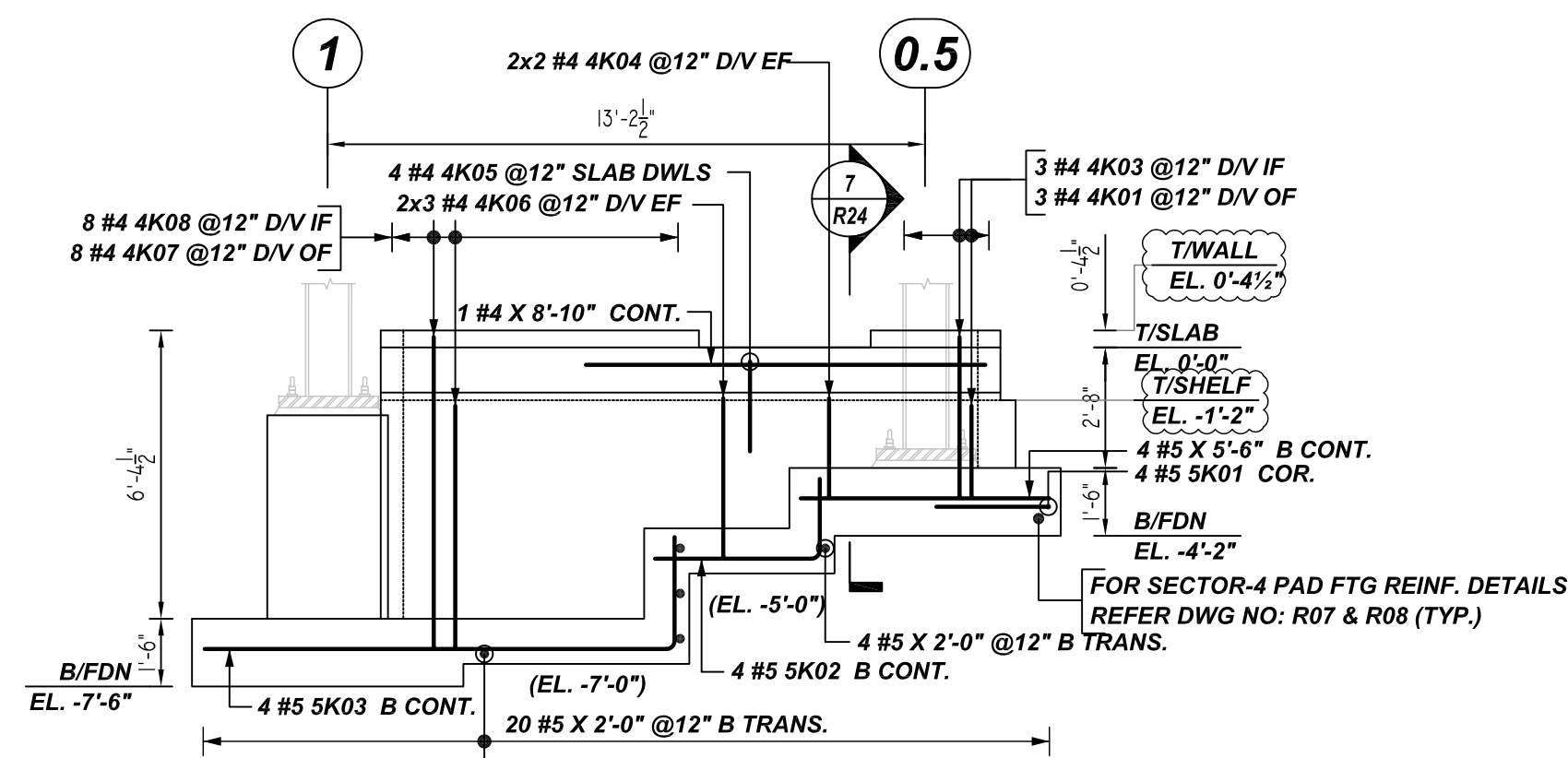
REV NO	DATE	SENT FOR	REV NO	DATE	SENT FOR
0	08.18.22	APPROVAL			

DRAWN BY	DATE	JOB NO	SHEET NO.
JSN/MET	08.18.22	-	R22

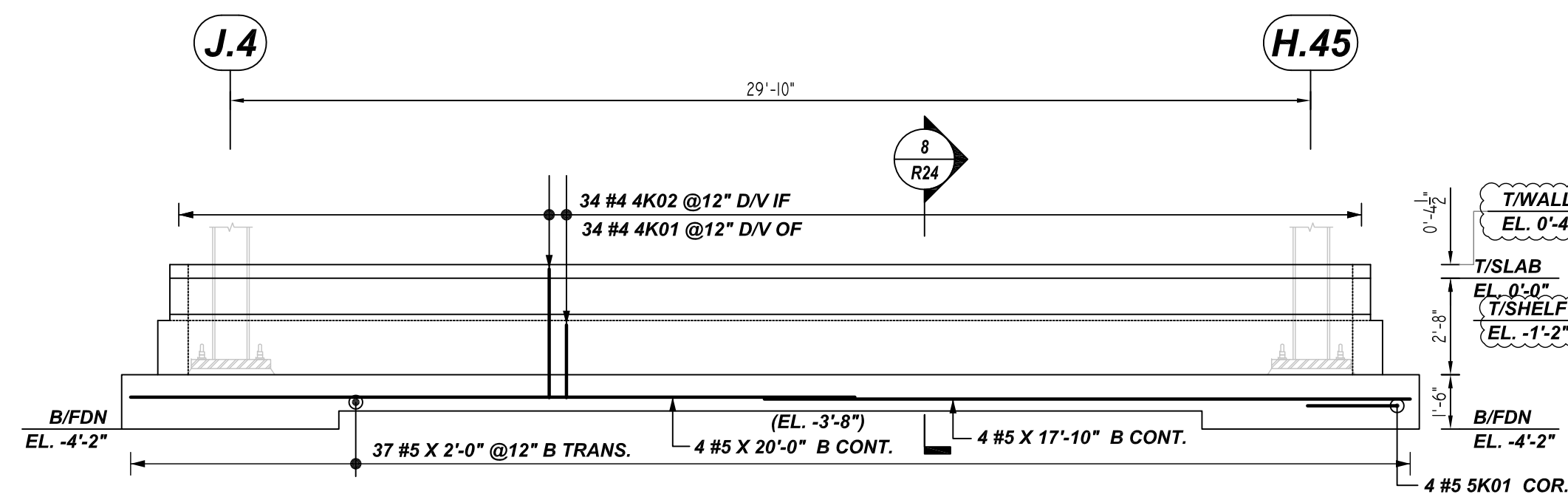
NOTICE

SHORTAGES, IMPROPER FABRICATION OR CLAIMS FOR ANY OTHER REASON MUST BE REPORTED TO THIS COMPANY WITHIN 10 DAYS FROM ORIGINAL DELIVERY. THIS COMPANY ALSO RESERVES THE RIGHT TO FIELD INSPECT MATERIALS PRIOR TO REPLACEMENT OR RECONDITIONING OF MATERIALS AND WILL NOT BE LIABLE FOR CHARGES FROM WORK DONE IN THE FIELD WITHOUT PRIOR AUTHORIZATION FROM THIS COMPANY.

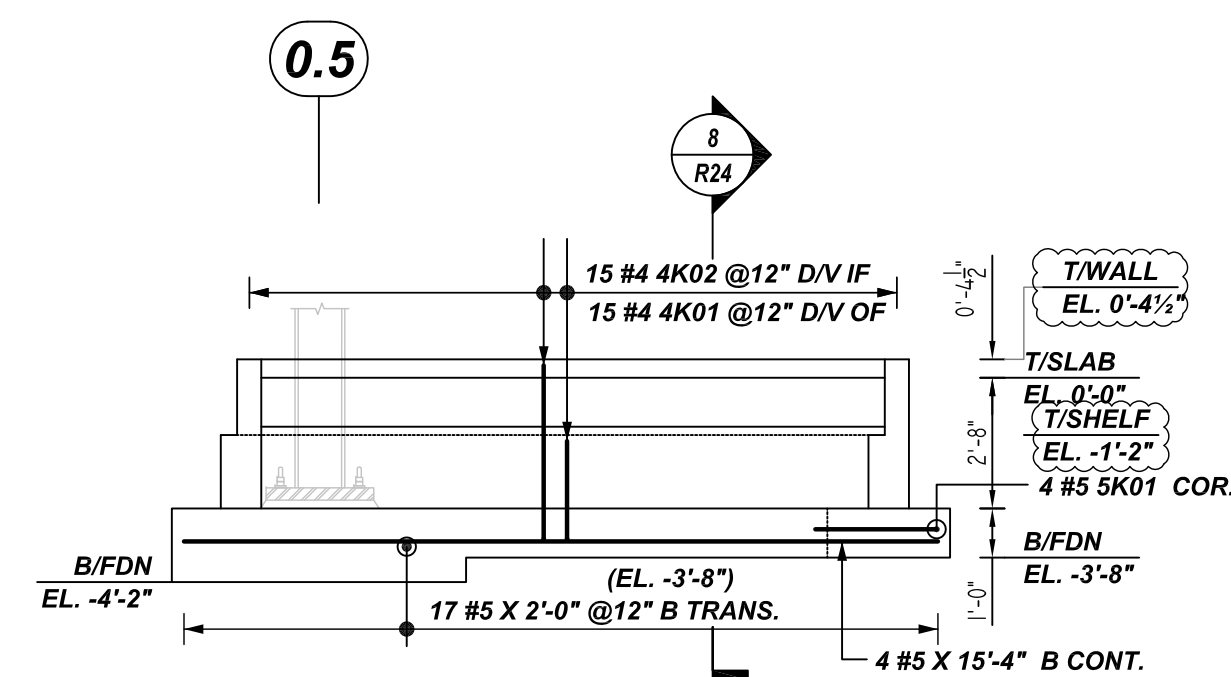
REINFORCING STEEL PLACING DRAWING ONLY. USE IN CONJUNCTION WITH CONTRACT DRAWINGS & SPECIFICATIONS. ELEVATIONS & DIMENSIONS SHOWN ON DRAWING ARE FOR DETAILING PURPOSES ONLY AND SHOULD NOT BE USED FOR CONSTRUCTION UNLESS VERIFIED BY ENGINEER OR CONTRACTOR.



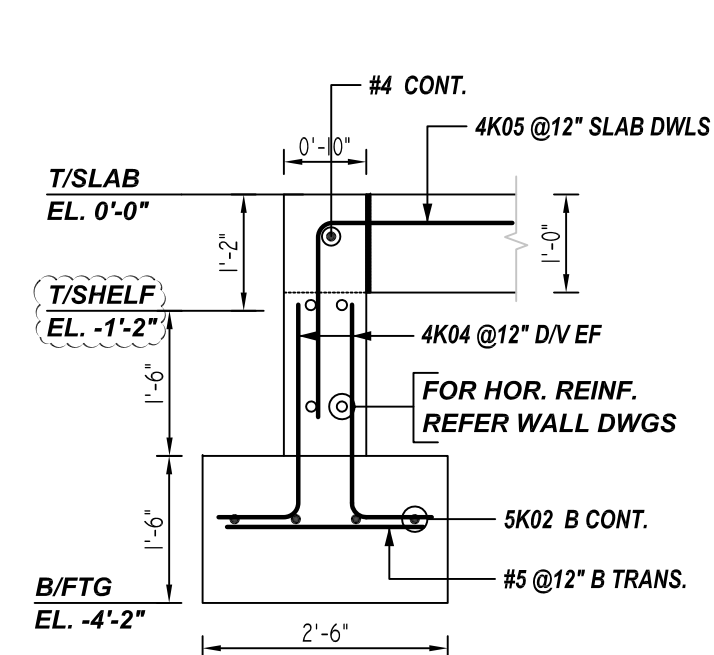
C ELEVATION
REF: S2.1.4 & 3/S5.1 (DT.07/29/22)
SCALE: 1/2" = 1'-0"



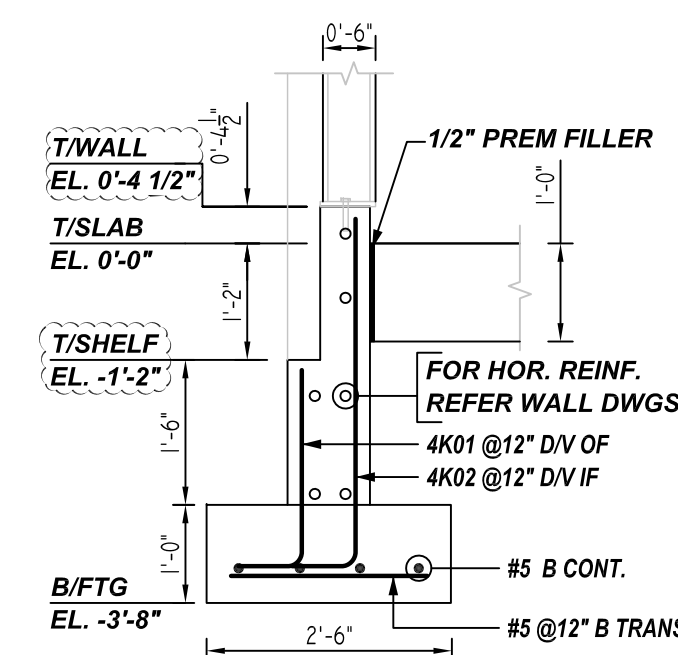
D ELEVATION
REF: S2.1.4 & 3/S5.1 (DT.07/29/22)
SCALE: 1/2" = 1'-0"



E ELEVATION
REF: S2.1.4 & 3/S5.1 (DT.07/29/22)
SCALE: 1/2" = 1'-0"



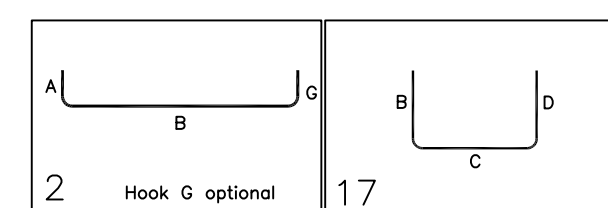
7 SECTION
R24 REF: 1/S3.1 (DT.07/29/22)
SCALE: 1/2" = 1'-0"



8 SECTION
R24 REF: 6/S3.1 (DT.07/29/22)
SCALE: 1/2" = 1'-0"

Release Number: R24

Bar Mark	Qty	Size	Total Length	Type	X	Y	Z	X	Y	Z	X	Y	Z
4K01	52	#4	2'-8.0"	2	0'-8"	2'-0.0"							
4K02	48	#4	4'-2.0"	2	0'-8"	3'-6.0"							
4K03	3	#4	4'-2.0"	2	0'-8"	3'-6.0"							
4K04	4	#4	3'-0.0"	2	0'-10"	2'-2.0"							
4K05	4	#4	4'-0"	17		2'-0"							
4K06	8	#4	4'-4.0"	2	0'-10"	3'-6.0"							
4K07	8	#4	6'-0.0"	2	0'-8"	5'-4.0"							
4K08	8	#4	7'-6.0"	2	0'-8"	6'-10.0"							
5K01	12	#5	5'-0"	17		2'-6"							
5K02	4	#5	5'-5.0"	17		1'-8.0"	3'-8"						
5K03	4	#5	12'-11"	17		2'-6"	10'-5"						



TYPICAL REINFORCING BAR CLEARANCE TABLE

LOCATION	MIN. COVER
FOOTING SIDE & BOTTOM	3" CLR
FOOTING TOP	2" CLR
WALL TOP	1.5" CLR

A/E PLEASE VERIFY FTG & WALL TOP COVER

**ALL BARS IN THIS DRAWING
ASTM A615 GRADE 60
BLACK UNCOATED**

REBAR GRADE 60 ASTM A-615

SPLICES USED

CLASS B 4,500 psi UNO

TOP BARS	OTHER BARS
#3 24"	#3 19"
#4 32"	#4 24"
#5 39"	#5 30"
#6 46"	#6 36"
#7 67"	#7 52"
#8 77"	#8 59"
#9 86"	#9 67"
#10 95"	#10 73"
#11 104"	#11 81"
#14	#14

ABBREVIATIONS

- ADD. = Additional
- B.O.W. = Bottom of wall
- C.B. = Corner Bars
- DIAG. = Diagonal
- D.O. = Door Opening
- DWLS. = Dowels
- E.F. = Each Face
- E.S. = Each Side
- E.W. = Each Way
- FTG. = Footing
- F.F. = Far Face
- HORIZ. = Horizontal
- I.F. = Inside Face
- INTERS. = Intersection
- L.W. = long Way
- N.F. = Near Face
- O.F. = Outside Face
- S.W. = Short Way
- T&B = Top & Bottom
- T.O.W. = Top of Wall
- Trans. = Transverse
- VERT. = Vertical

BAR MARK SIZE EQUIVALENT

Imperial	Soft Metric
#3	#10
#4	#13
#5	#16
#6	#19
#7	#22
#8	#25
#9	#29
#10	#32
#11	#36

STA PHARMACEUTICAL MIDDLETOWN EXPANSION DP-1
DP-1 BUILDING SECTOR 4 CONTINUOUS FOOTING & WALL REINFORCEMENT DETAILS
MIDDLETOWN, DE 19709

CUSTOMER: -
DESIGNER: -

REV NO	DATE	SENT FOR	REV NO	DATE	SENT FOR
0	08.18.22	APPROVAL			

DRAWN BY	DATE	JOB NO	SHEET NO.
JSN/MET	08.18.22	-	R24