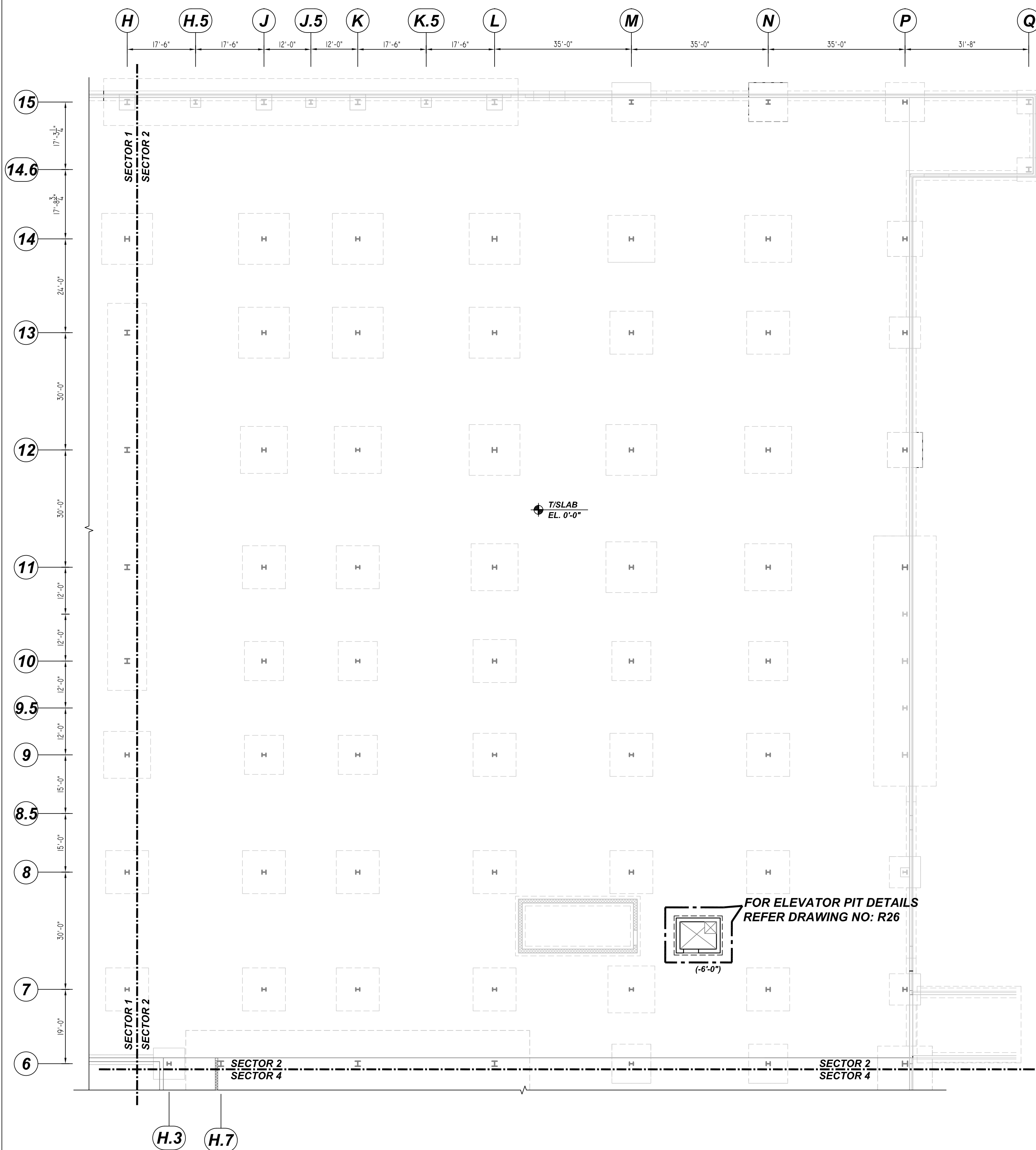


**NOTICE**

SHORTAGES, IMPROPER FABRICATION OR CLAIMS FOR ANY OTHER REASON MUST BE REPORTED TO THIS COMPANY WITHIN 10 DAYS FROM ORIGINAL DELIVERY. THIS COMPANY ALSO RESERVES THE RIGHT TO FIELD INSPECT MATERIALS PRIOR TO REPLACEMENT OR RECONDITIONING OF MATERIALS AND WILL NOT BE LIABLE FOR CHARGES FROM WORK DONE IN THE FIELD WITHOUT PRIOR AUTHORIZATION FROM THIS COMPANY.

REINFORCING STEEL PLACING DRAWING ONLY. USE IN CONJUNCTION WITH CONTRACT DRAWINGS & SPECIFICATIONS. ELEVATIONS & DIMENSIONS SHOWN ON DRAWING ARE FOR DETAILING PURPOSES ONLY AND SHOULD NOT BE USED FOR CONSTRUCTION UNLESS VERIFIED BY ENGINEER OR CONTRACTOR.



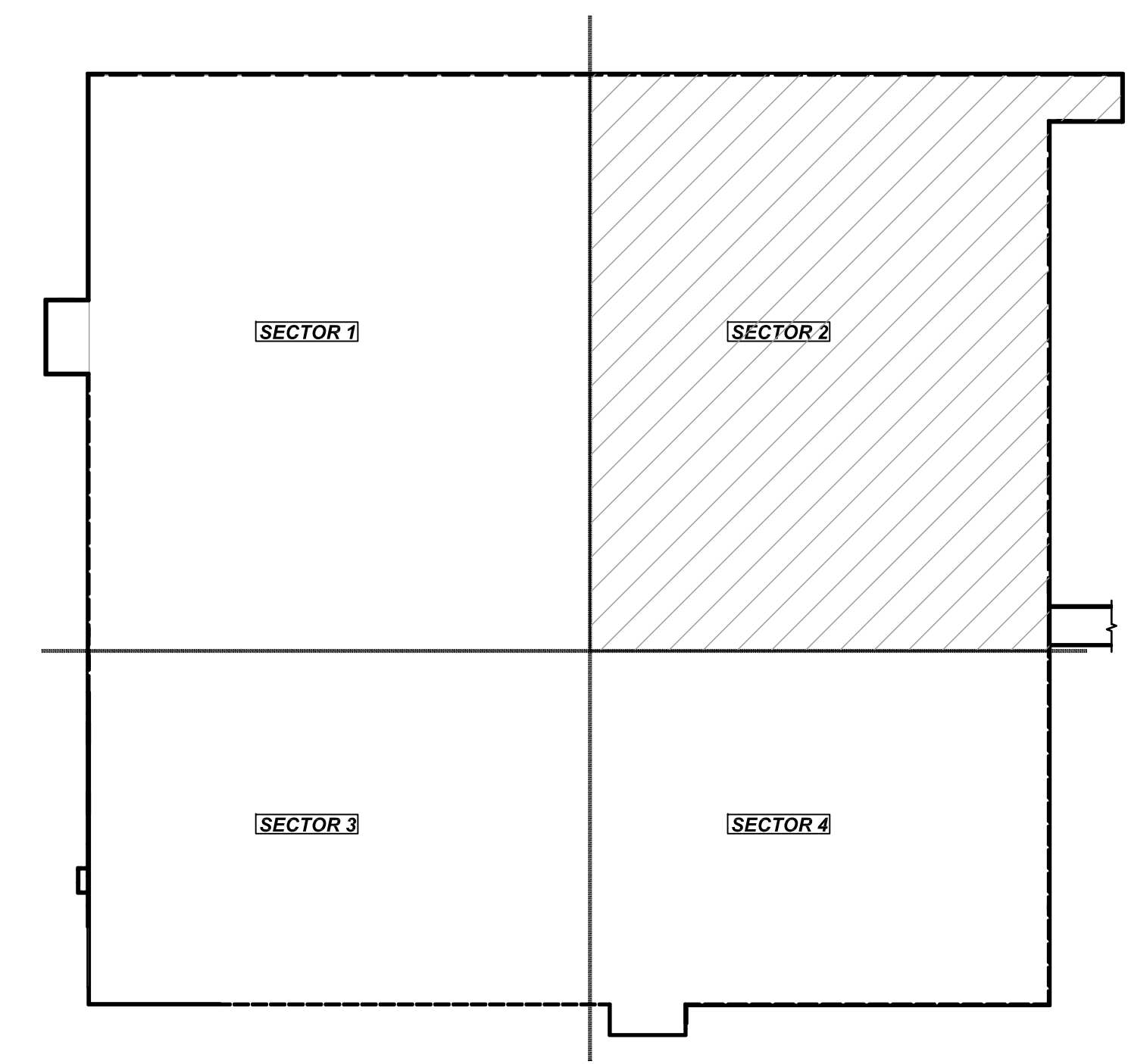
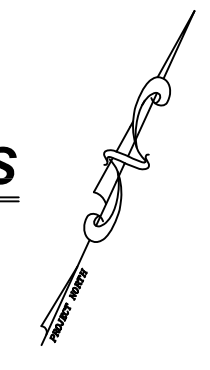
**DP-1 BUILDING SECTOR 2 ELEVATOR PIT REINFORCEMENT DETAILS**

REF: S2.1.2(DT.07/29/22)  
SCALE: 1/16" = 1'-0"

**TYPICAL REINFORCING BAR CLEARANCE TABLE**

LOCATION	MIN. COVER
FOOTING SIDE & BOTTOM	3" CLR
FOOTING TOP	2" CLR
WALL TOP	1.5" CLR

A/E PLEASE VERIFY FTG. & WALL TOP COVER



**DP1 BUILDING KEYPLAN**

REF: S1.1(DT.07/29/22)  
N.T.S

**REBAR GRADE 60 ASTM A-615**

SPLICES USED		ABBREVIATIONS		BAR MARK SIZE EQUIVALENT	
CLASS B 4,500 psi UNO				Imperial	Soft Metric
TOP BARS	OTHER BARS	ADD.	Additional	#3	#10
#3 24"	#3 19"	B.O.W.	Bottom of wall	#4	#13
#4 32"	#4 24"	C.B.	Corner Bars	#5	#16
#5 39"	#5 30"	DIAG.	Diagonal	#6	#19
#6 46"	#6 36"	D.O.	Door Opening	#7	#22
#7 67"	#7 52"	DWLS.	Dowels	#8	#25
#8 77"	#8 59"	E.F.	Each Face	#9	#29
#9 86"	#9 67"	E.S.	Each Side	#10	#32
#10 95"	#10 73"	E.W.	Each Way	#11	#36
#11 104"	#11 81"	FTG.	Footing		
#14		F.F.	Far Face		
		HORIZ.	Horizontal		
		I.F.	Inside Face		
		INTERS.	Intersection		
		L.W.	Long Way		
		N.F.	Near Face		
		O.F.	Outside Face		
		S.W.	Short Way		
		T&B	Top & Bottom		
		T.O.W.	Top of Wall		
		Trans.	Transverse		
		VERT.	Vertical		

**STA PHARMACEUTICAL MIDDLETOWN EXPANSION DP-1**  
DP-1 BUILDING SECTOR 2 ELEVATOR PIT REINFORCEMENT DETAILS  
**MIDDLETOWN, DE 19709**

CUSTOMER: -  
DESIGNER: -

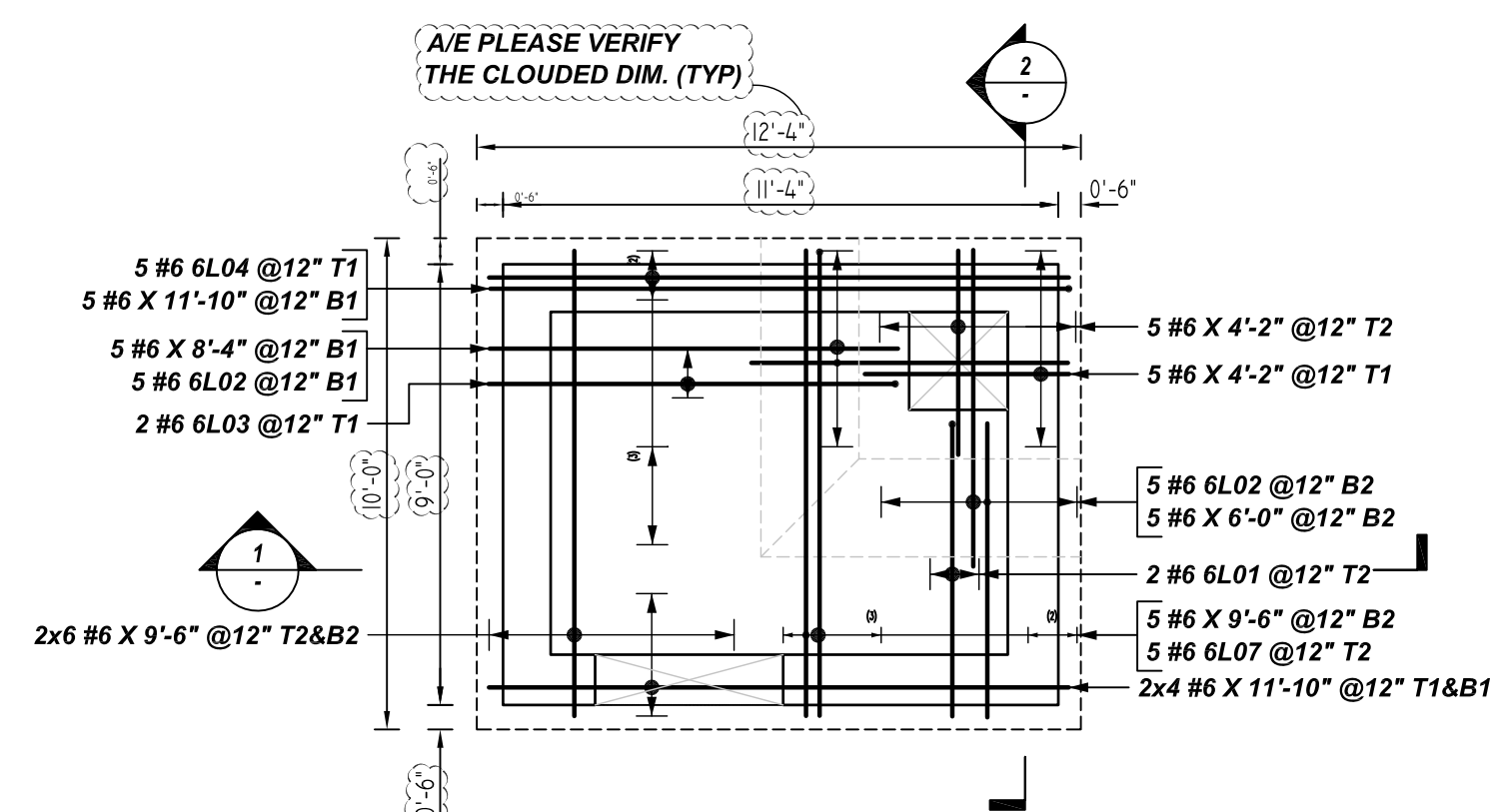
REV NO	DATE	SENT FOR	REV NO	DATE	SENT FOR
0	08.18.22	APPROVAL			

DRAWN BY	DATE	JOB NO	SHEET NO.
JSN/MET	08.18.22	-	R25

**NOTICE**

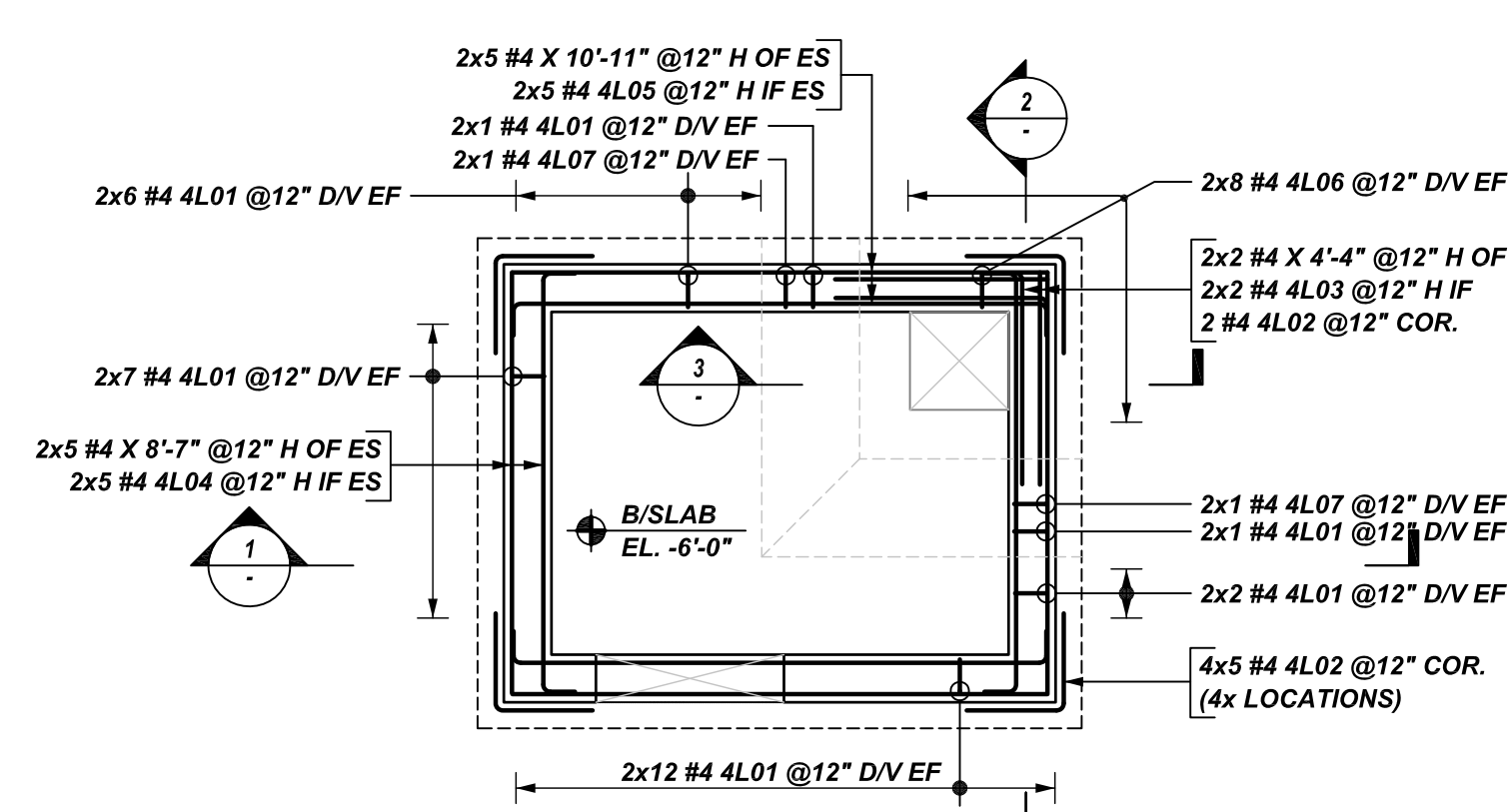
SHORTAGES, IMPROPER FABRICATION OR CLAIMS FOR ANY OTHER REASON MUST BE REPORTED TO THIS COMPANY WITHIN 10 DAYS FROM ORIGINAL DELIVERY. THIS COMPANY ALSO RESERVES THE RIGHT TO FIELD INSPECT MATERIALS PRIOR TO REPLACEMENT OR RECONDITIONING OF MATERIALS AND WILL NOT BE LIABLE FOR CHARGES FROM WORK DONE IN THE FIELD WITHOUT PRIOR AUTHORIZATION FROM THIS COMPANY.

REINFORCING STEEL PLACING DRAWING ONLY. USE IN CONJUNCTION WITH CONTRACT DRAWINGS & SPECIFICATIONS. ELEVATIONS & DIMENSIONS SHOWN ON DRAWING ARE FOR DETAILING PURPOSES ONLY AND SHOULD NOT BE USED FOR CONSTRUCTION UNLESS VERIFIED BY ENGINEER OR CONTRACTOR.



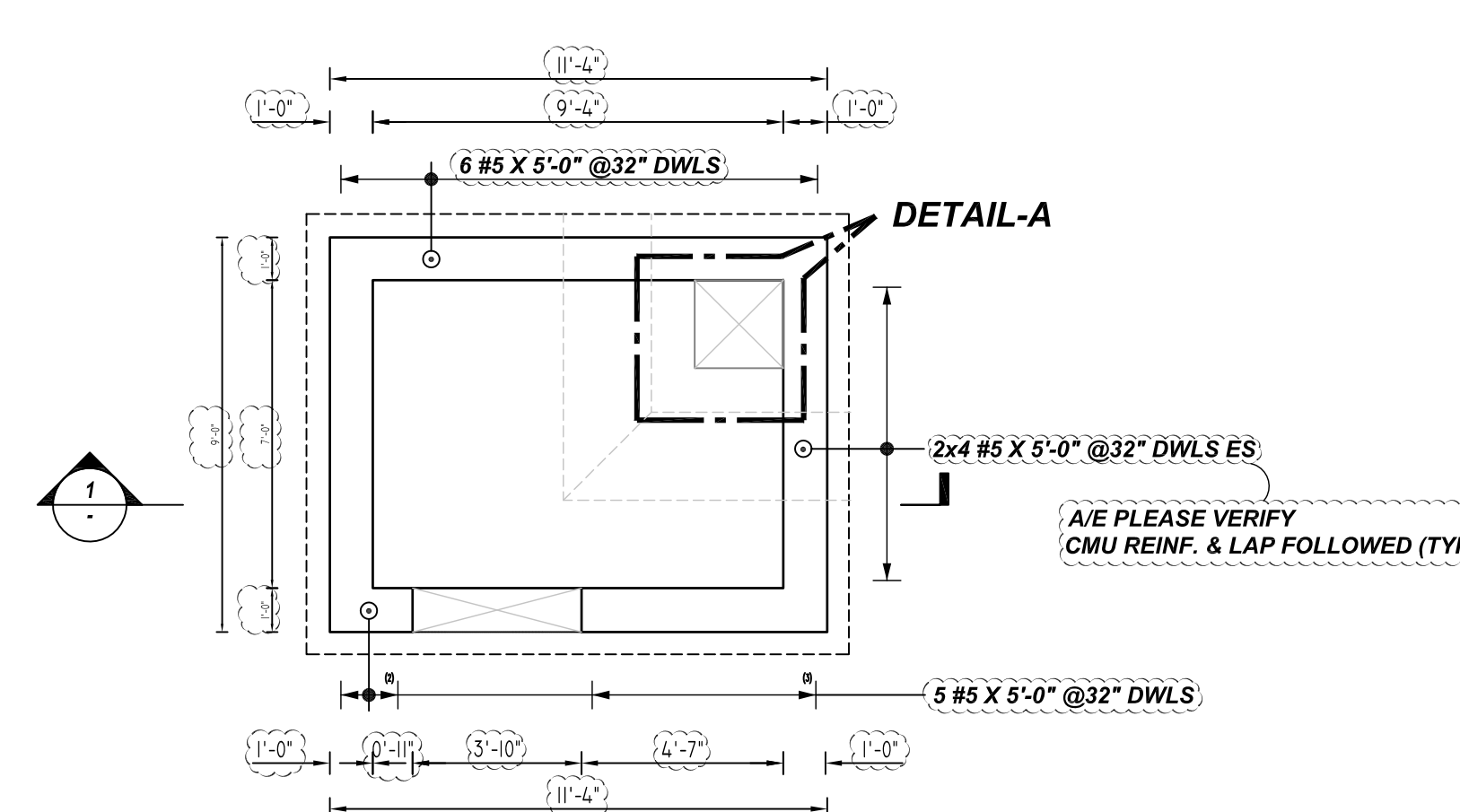
**ELEVATOR PIT FOUNDATION REINFORCEMENT DETAILS**

REF: S2.1.2 & 16/S3.1 (DT.07/29/22)  
SCALE: 1/4" = 1'-0"



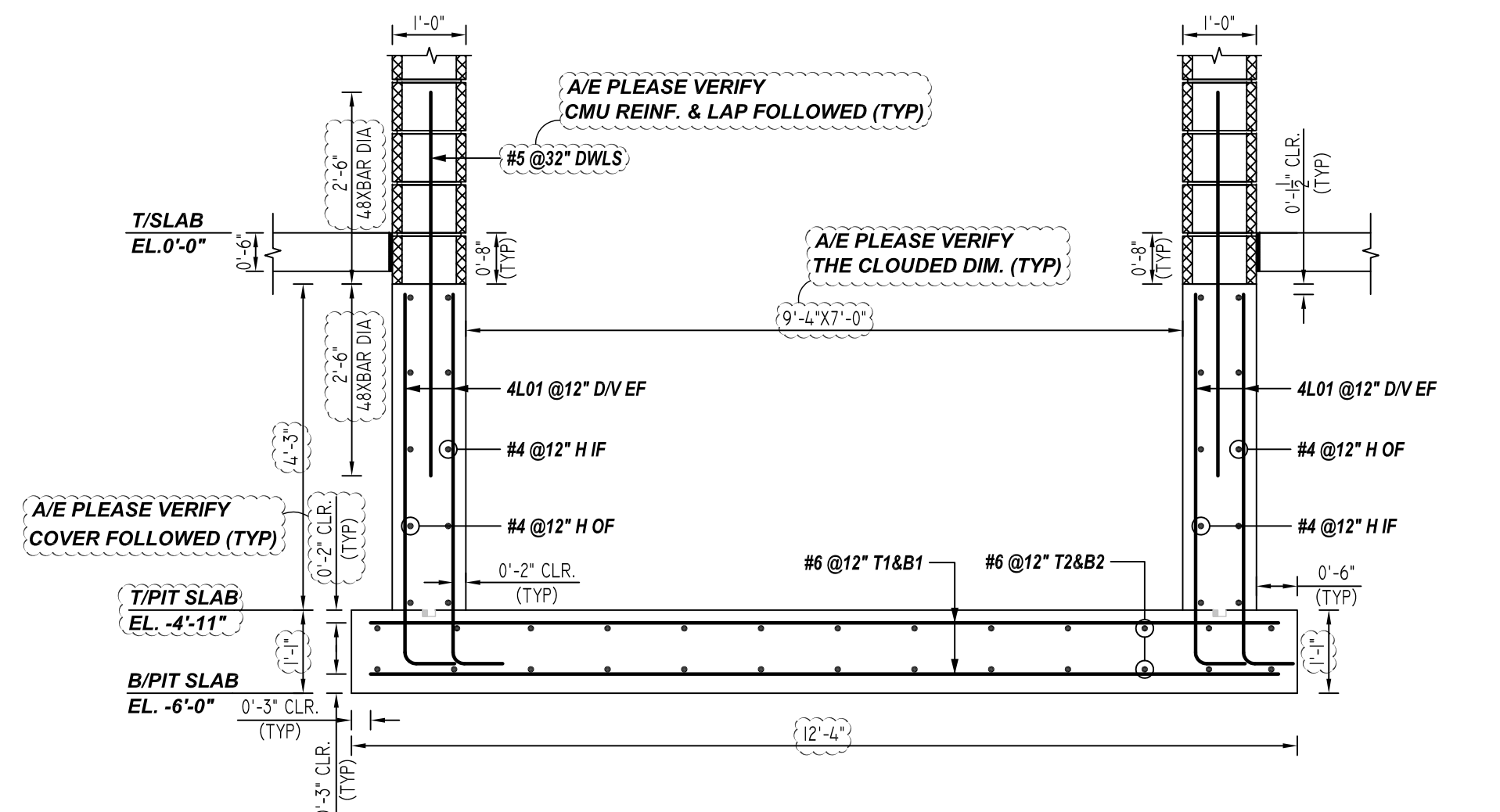
**ELEVATOR PIT WALL REINFORCEMENT DETAILS**

REF: S2.1.2, 16/S3.1 & 4/S5.1 (DT.07/29/22)  
SCALE: 1/4" = 1'-0"

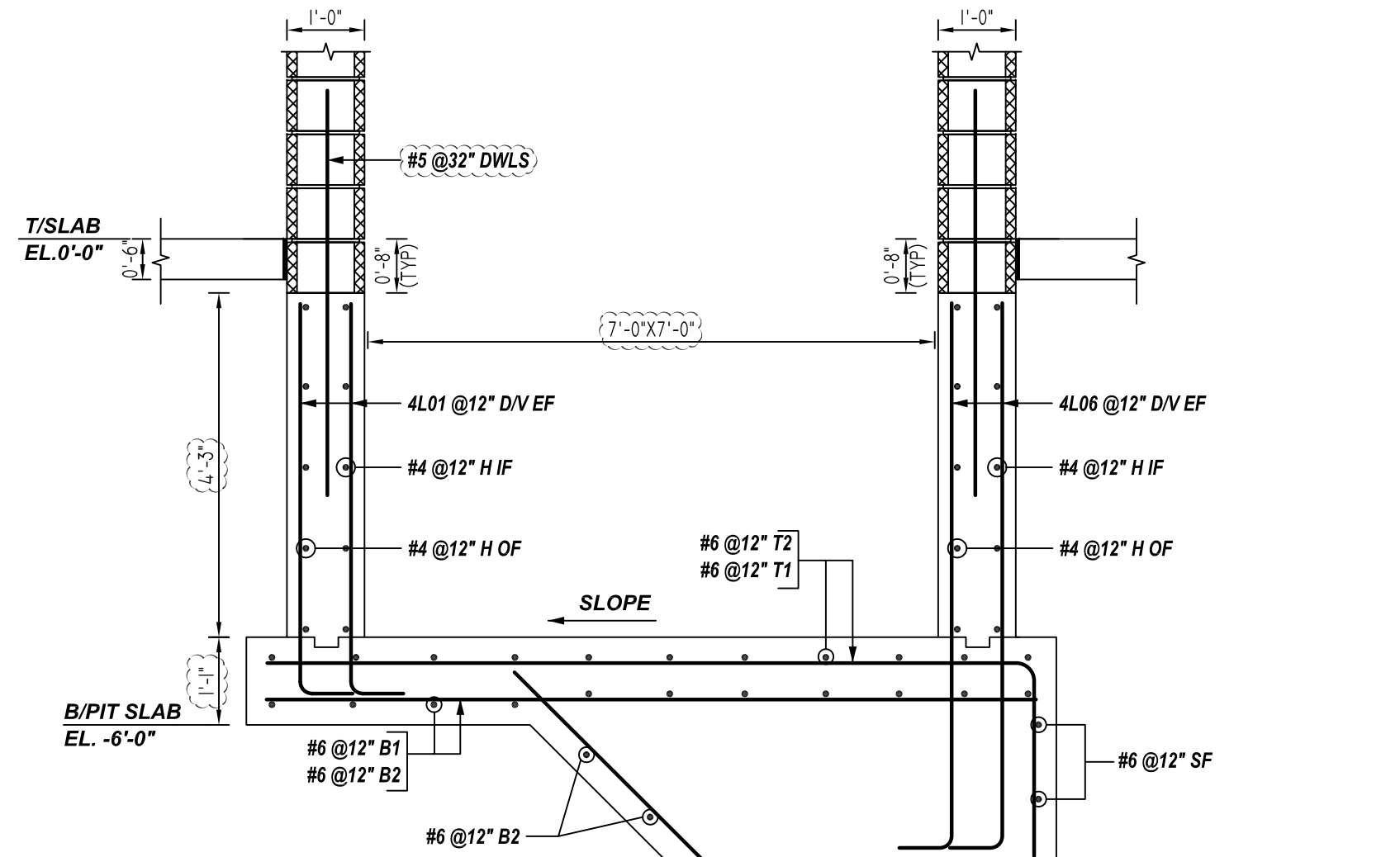


**MASONRY WALL DOWEL REINFORCEMENT DETAILS**

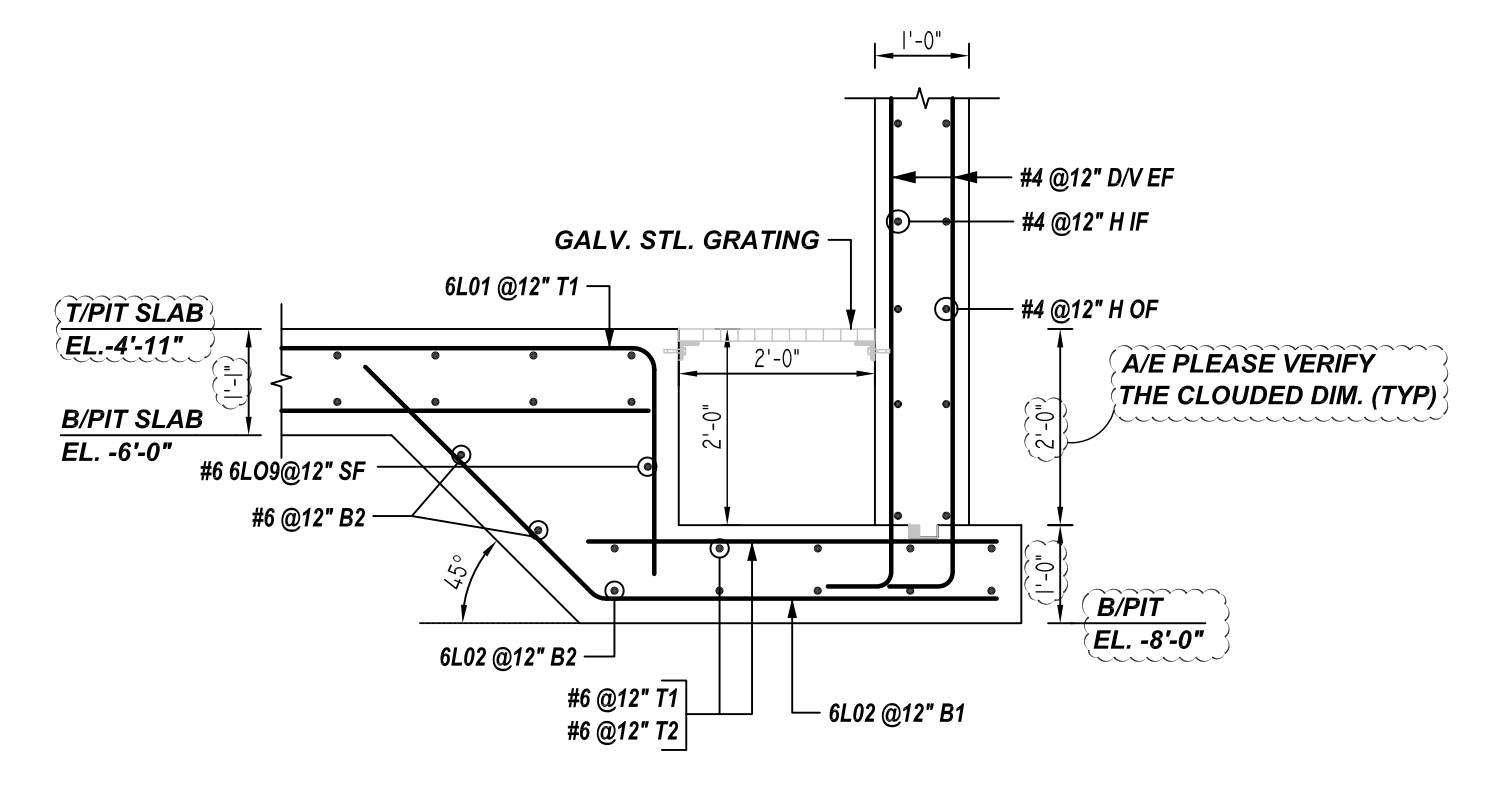
REF: S2.1.2, 16/S3.1 & S5.1 (DT.07/29/22)  
SCALE: 1/4" = 1'-0"



**1 SECTION**  
R26 REF: S2.1.2, 16/S3.1 & 4/S5.1 (DT.07/29/22)  
SCALE: 1/2" = 1'-0"



**2 SECTION**  
R26 REF: S2.1.2, 16/S3.1 & 4/S5.1 (DT.07/29/22)  
SCALE: 1/2" = 1'-0"



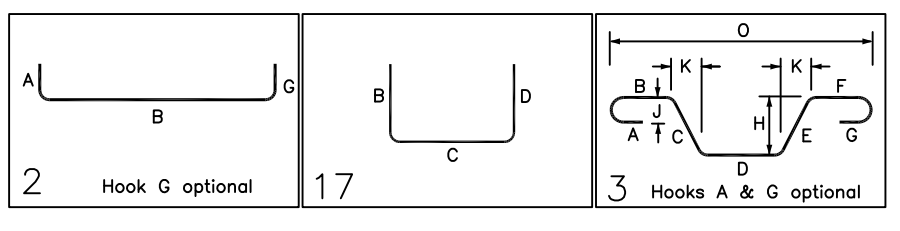
**3 SECTION**  
R26 REF: S2.1.2, 16/S3.1 & 4/S5.1 (DT.07/29/22)  
SCALE: 1/2" = 1'-0"

Release Number: R26

Bar Mark	Qty	Size	Total Length	Type	X'	Y'	Z'	U'	V'	W'	X'	Y'	Z'	U'	V'	W'
4L01	58	#4	5'-5"	2	0'-5"	4'-10"										
4L02	22	#4	4'-0"	17		2'-0"	2'-0"									
4L03	4	#4	5'-0"	2	0'-5"	4'-4"										
4L04	10	#4	9'-11"	2	0'-5"	8'-7"										
4L05	10	#4	12'-5"	2	0'-5"	10'-11"										
4L06	16	#4	7'-5"	2	0'-5"	6'-9"										
4L07	4	#4	6'-2"	2	0'-5"	5'-6"										
6L01	2	#6	8'-4"	17		6'-0"	2'-4"									
6L02	10	#6	7'-5 X 3		4'-1"	3'-4 X 3										
6L03	2	#6	10'-8"	17		8'-4"	2'-4"									
6L04	3	#6	12'-10"	2	1'-0"	11'-10"										
6L05	16	#6	9'-10"	17		4'-11"	4'-11"									
6L06	16	#6	11'-2"	17		5'-7"	5'-7"									
6L07	3	#6	11'-11"	17		2'-5"	9'-4"									
6L08	2	#6	5'-10"	2	1'-0"	4'-10"										

**ACCESSORIES DETAILS**

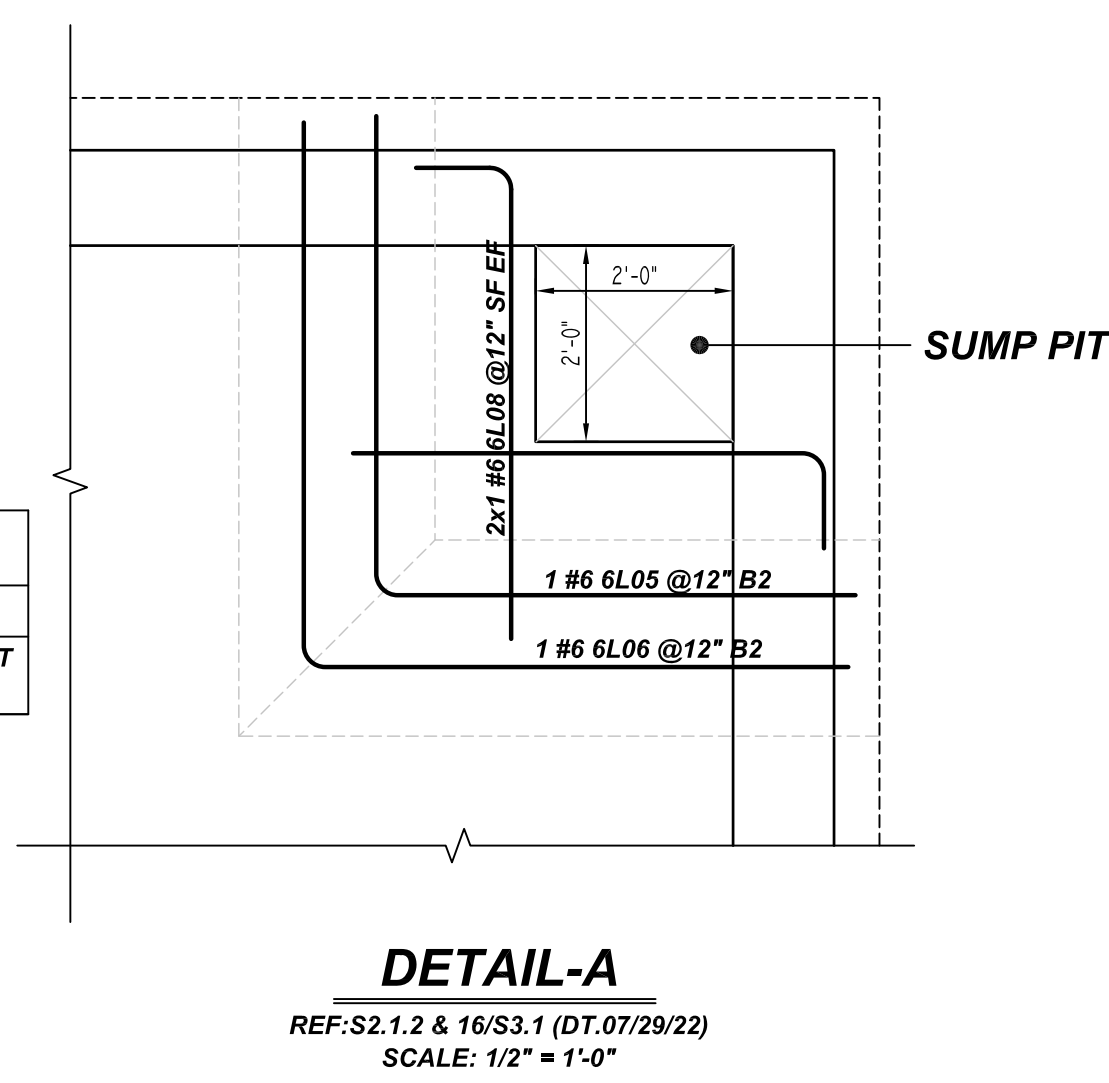
S. NO	ELEMENT	DESCRIPTION	PCS	LFT	REMARK
1	12" THK BASE SLAB	4" HT CHCU @4'-0" C/C	-	46	FOR TOP MESH SUPPORT (B/N TOP & BOTTOM)



**TYPICAL REINFORCING BAR CLEARANCE TABLE**

LOCATION	MIN. COVER
FOOTING BOTTOM	3" CLR
FOOTING OUTER EDGE	3" CLR
FOOTING TOP	2" CLR
WALL ALL SIDE	1.5" CLR

A/E PLEASE VERIFY CLEAR COVER FOLLOWED



**DETAIL-A**  
REF: S2.1.2 & 16/S3.1 (DT.07/29/22)  
SCALE: 1/2" = 1'-0"

**REBAR GRADE 60 ASTM A-615**

**SPLICES USED**

**CLASS B 4,500 psi UNO**

TOP BARS	OTHER BARS
#3 24"	#3 19"
#4 32"	#4 24"
#5 39"	#5 30"
#6 46"	#6 36"
#7 67"	#7 52"
#8 77"	#8 59"
#9 86"	#9 67"
#10 95"	#10 73"
#11 104"	#11 81"
#14	#14

ABBREVIATIONS		BAR MARK SIZE EQUIVALENT	
		Imperial	Soft Metric
ADD.	= Additional	#3	#10
B.O.W.	= Bottom of wall	#4	#13
C.B.	= Corner Bars	#5	#16
DIAG.	= Diagonal	#6	#19
D.O.	= Door Opening	#7	#22
DWLS.	= Dowels	#8	#25
E.F.	= Each Face	#9	#29
E.S.	= Each Side	#10	#32
E.W.	= Each Way	#11	#36
FTG.	= Footing		
F.F.	= Far Face		
HORIZ.	= Horizontal		
I.F.	= Inside Face		
INTERS.	= Intersection		
L.W.	= long Way		
N.F.	= Near Face		
O.F.	= Outside Face		
S.W.	= Short Way		
T&B	= Top & Bottom		
T.O.W.	= Top of Wall		
Trans.	= Transverse		
VERT.	= Vertical		

**STA PHARMACEUTICAL MIDDLETOWN EXPANSION DP-1**  
DP-1 BUILDING SECTOR 2 ELEVATOR PIT REINFORCEMENT DETAILS  
**MIDDLETOWN, DE 19709**

CUSTOMER: -  
DESIGNER: -

REV NO	DATE	APPROVAL	REV NO	DATE	SENT FOR
0	08.18.22				

DRAWN BY	DATE	JOB NO	SHEET NO.
JSN/MET	08.18.22	-	R26