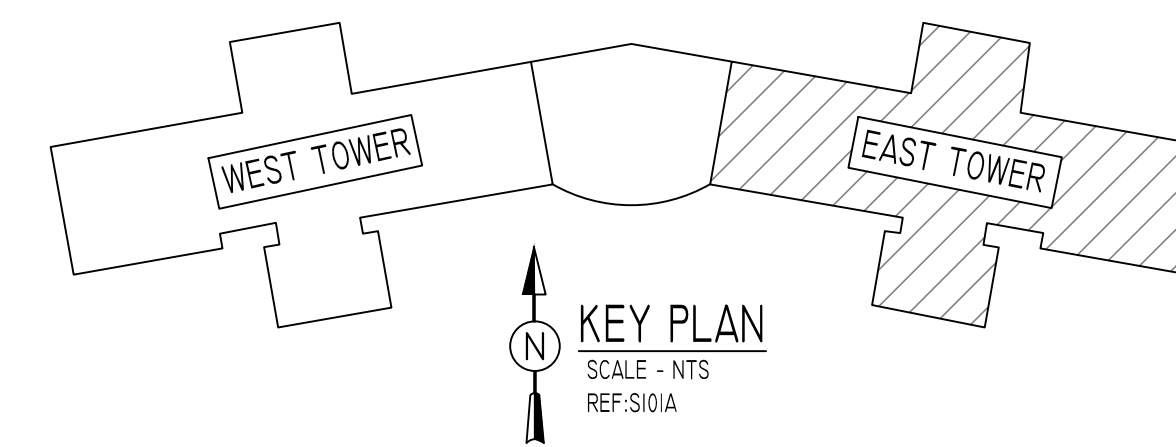


GARAGE LEVEL PLAN - EAST TOWER AND CONNECTOR
 SCALE - 1/8"=1'-0"
 REF-S101B



A/E PLEASE VERIFY LAP VALUE WE FOLLOWED

FOR DRILLED PIER & SLAB ON GRADE		
LAP SCHEDULE		
SIZE	3000 PSI	OTHERS
#3	28"	22"
#4	37"	29"
#5	47"	36"
#6	56"	43"
#7	81"	63"
#8	93"	72"
#9	105"	81"
#10	118"	91"
#11	131"	101"

FOR FDN. WALLS & GRADE BEAMS		
LAP SCHEDULE		
SIZE	4000 PSI	OTHERS
#3	24"	19"
#4	32"	25"
#5	40"	31"
#6	48"	37"
#7	70"	54"
#8	80"	62"
#9	91"	70"
#10	102"	79"
#11	113"	87"

A/E PLEASE VERIFY COVER DETAILS

TYPICAL REINFORCING BAR CLEARANCE TABLE	
LOCATION	MIN. COVER
DRILLED PIER	
SIDE	3" CLR
TIES	2" CLR
GRADE BEAM	
SIDE	3" CLR
TIES	2" CLR
CONC. PIER & SLAB	2" CLR

**ALL BARS IN THIS DRAWING
 ASTM A615 GRADE 60
 BLACK UNCOATED**

Abbreviations:

IF=Inside Face	OPNG=Opening
OF=Outside Face	BAL: Balance
EF=Each Face	BTW=Between
DWLS=Dowels	CJ=Construction Joint
V=Vertical	CLR= CLEARANCE
H=Horizontal	CMU= Concrete Masonry Unit
COR=Corner	CONT=Continuous
SLAB DWLS=Slab Dowels	Elev=Elevation
EW=Each Way	EMBED=Embedment
B=Bottom	SW = Short Way
T=Top	LW=Long Way
M/DWL= Masonry Dowel	(BL)=Black Bar
BB=Bond Beam	(EP)=Epoxy Bar
ALT: Alternate	(GA)= Galvanized
APPROX: Approximate	(TB)= Threaded Bar
ES=Each Side	(CB)= Coupler Bar

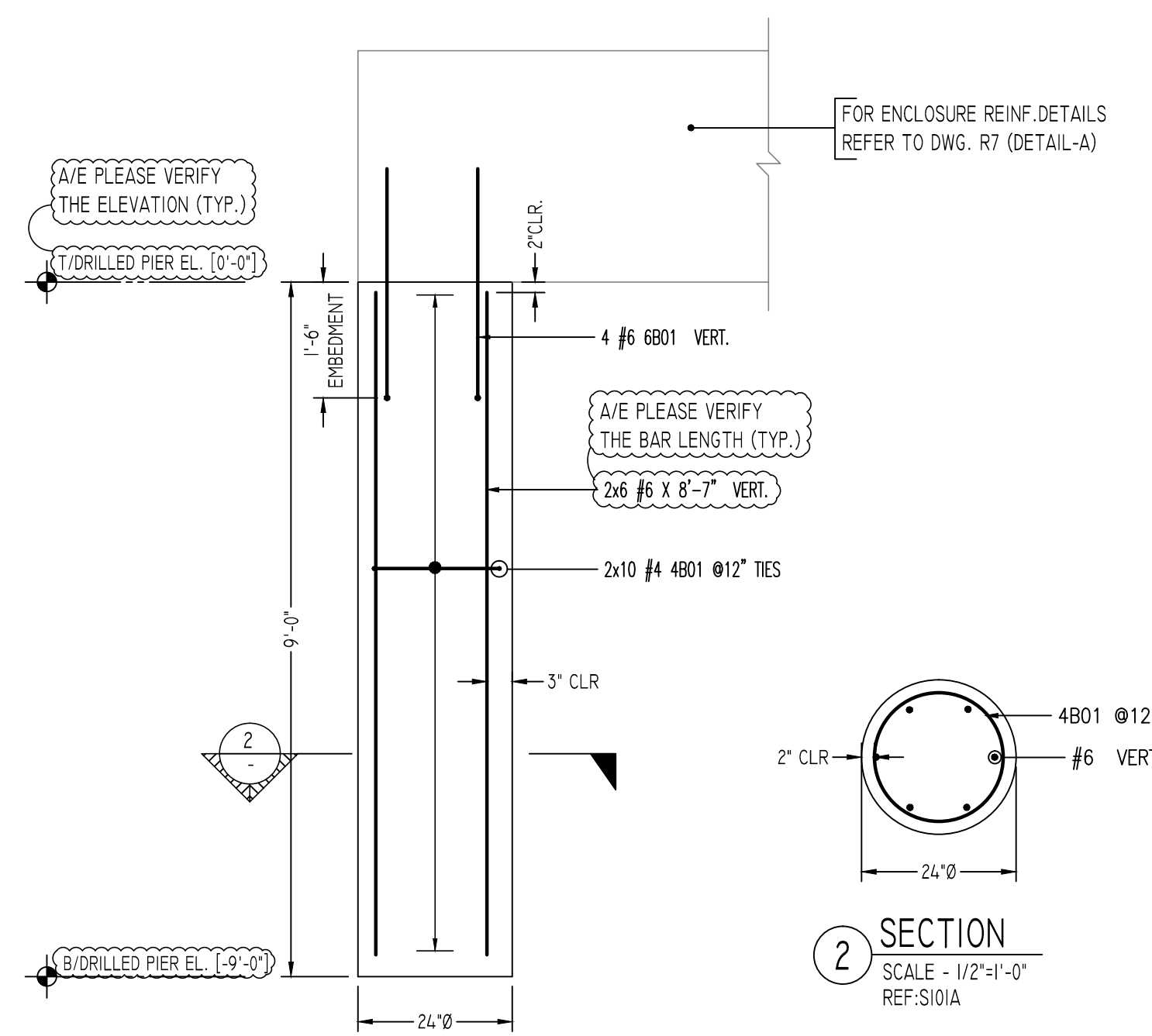
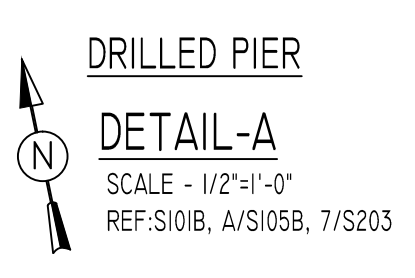
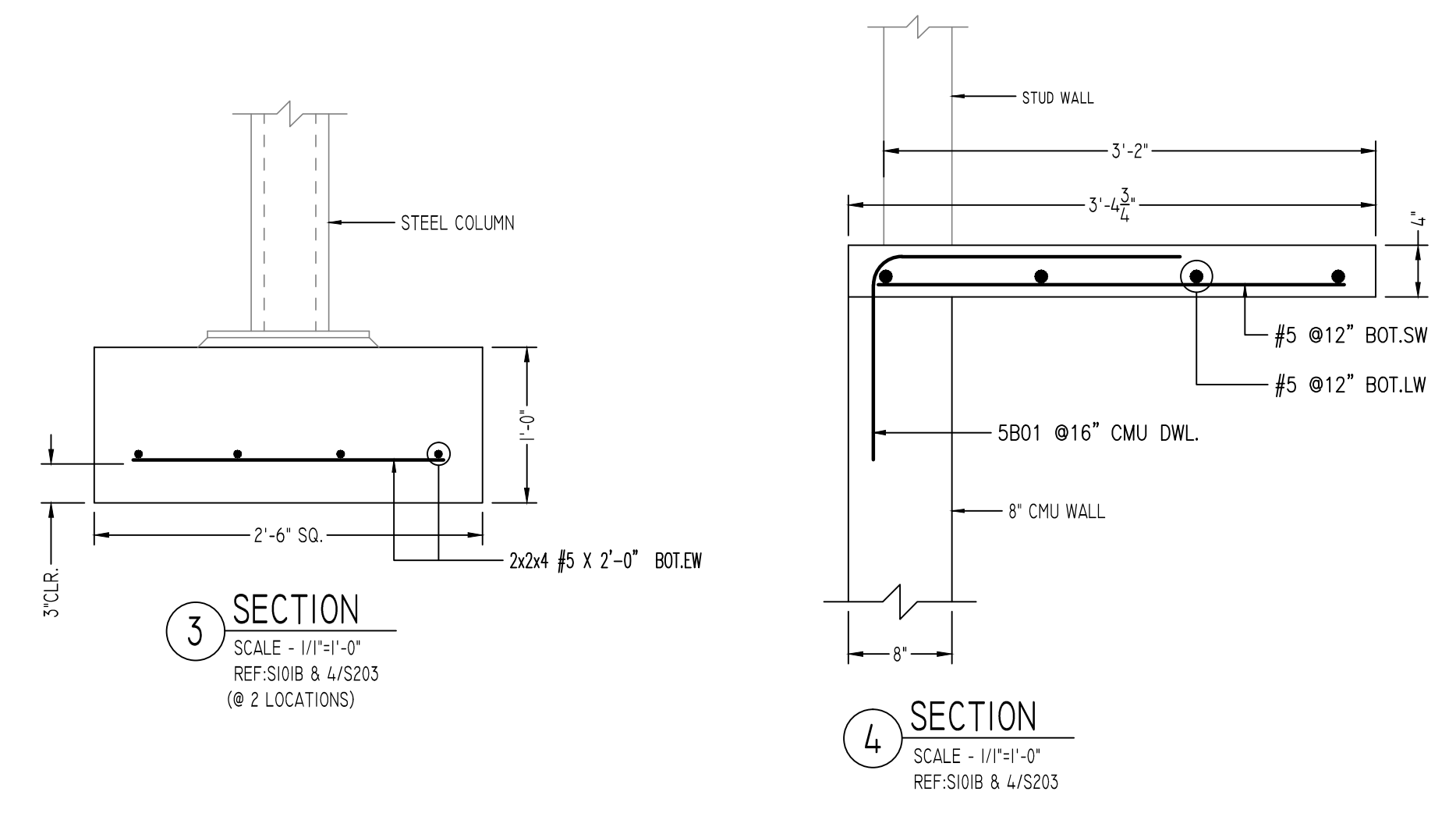
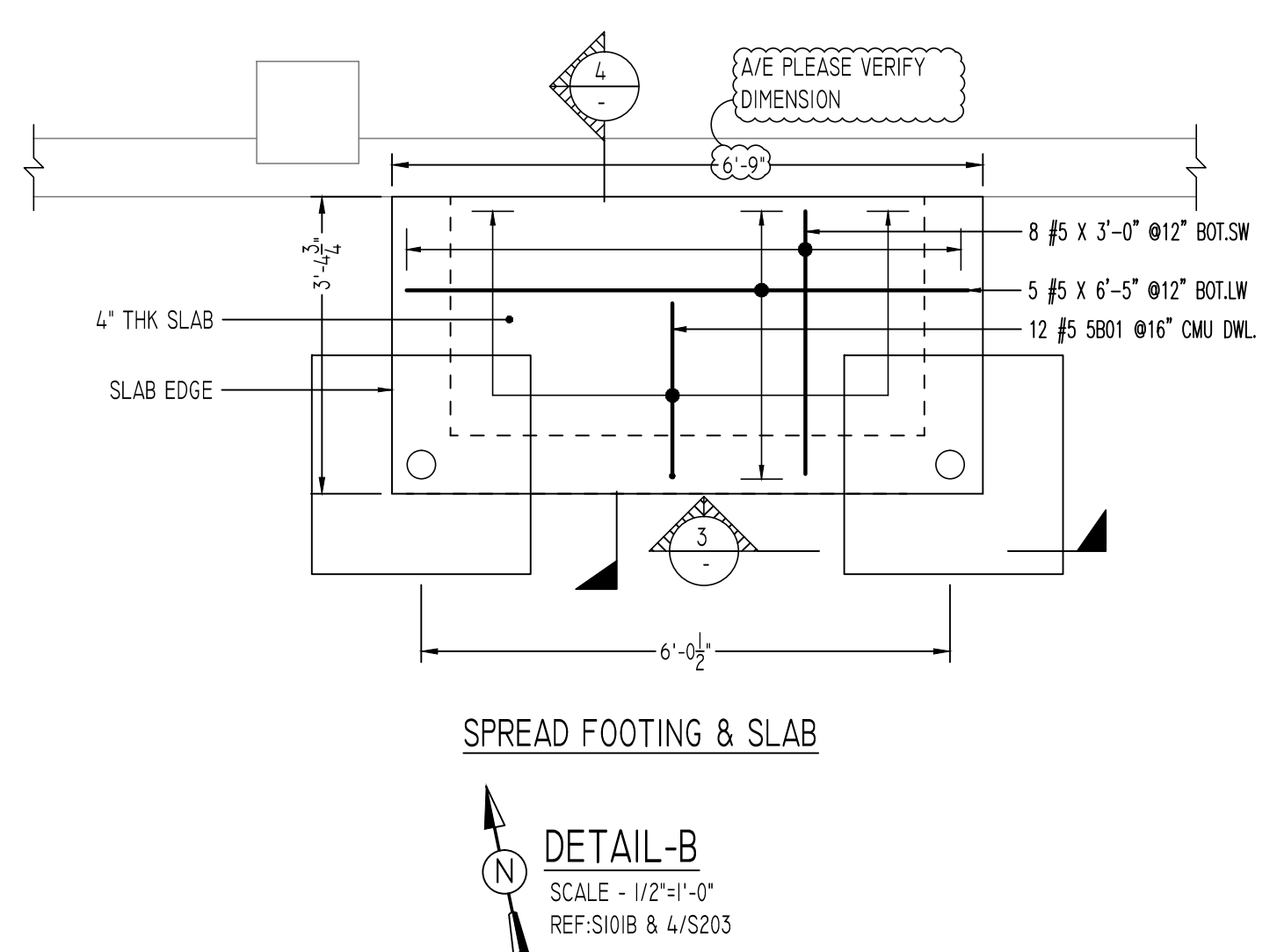
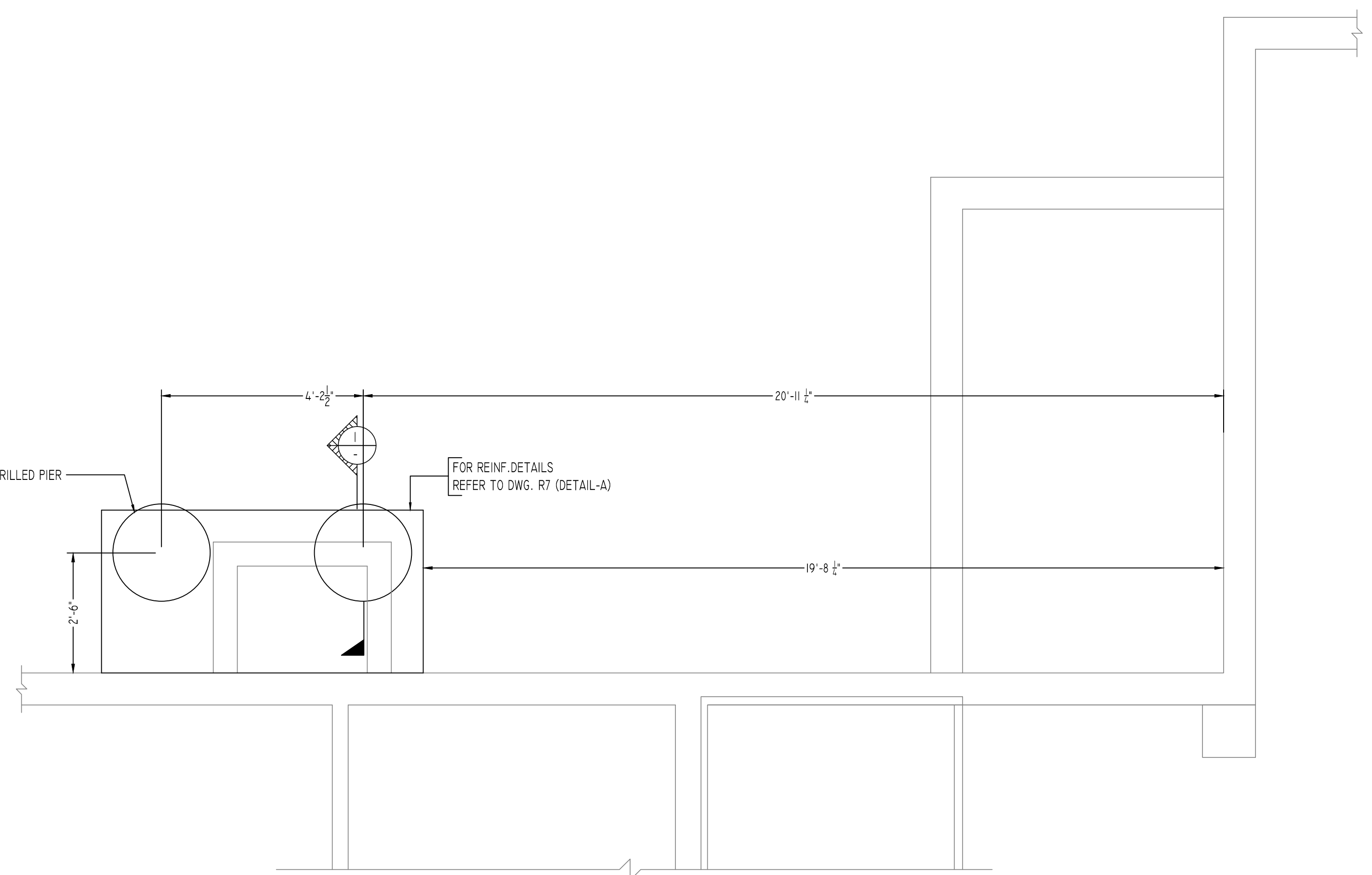
NOTICE

Shortages, improper fabrication or claims for any other reason must be reported to this company within a period of 15 days of delivery. This company reserves the right to field inspect prior to replacement or reconditioning of nonconforming material, and will not honor charges for work done in the field without specific authorization from this company.

REINFORCING STEEL PLACING DRAWINGS ONLY USE IN CONJUNCTION WITH CONTRACT DRAWINGS & SPECIFICATIONS. ELEVATIONS & DIMENSIONS SHOWN ON THIS DRAWING ARE FOR DETAILING PURPOSES ONLY AND SHOULD NOT BE USED FOR CONSTRUCTION UNLESS VERIFIED BY ENGINEER OR CONTRACTOR.

REVISION MARK	REVISION DETAILS	DATE
0	FOR APPROVAL	04/27/2021

PROJECT	LOYOLA NEWMAN TOWERS HVAC REPLACEMENT		
LOCATION	BALTIMORE, MD 21216		
ARCHITECT	HORD COPLAND MACHT		
ENGINEER	WHITNEY BALLY COX & MAGNANI		
CUSTOMER	-		
DRAWN BY:	DATE:	REVIEWED BY:	JOB NO.
MRS	04/27/21	T/L	-
DRAWING TITLE:			DRAWING NO. :
GARAGE LEVEL PLAN			R3
EAST TOWER AND CONNECTOR			



FOR DRILLED PIER & SLAB ON GRADE

SIZE	3000 PSI	
	TOP	OTHERS
#3	28"	22"
#4	37"	29"
#5	47"	36"
#6	56"	43"
#7	81"	63"
#8	93"	72"
#9	105"	81"
#10	118"	91"
#11	131"	101"

FOR FDN. WALLS & GRADE BEAMS

SIZE	4000 PSI	
	TOP	OTHERS
#3	24"	19"
#4	32"	25"
#5	40"	31"
#6	48"	37"
#7	70"	54"
#8	80"	62"
#9	91"	70"
#10	102"	79"
#11	113"	87"

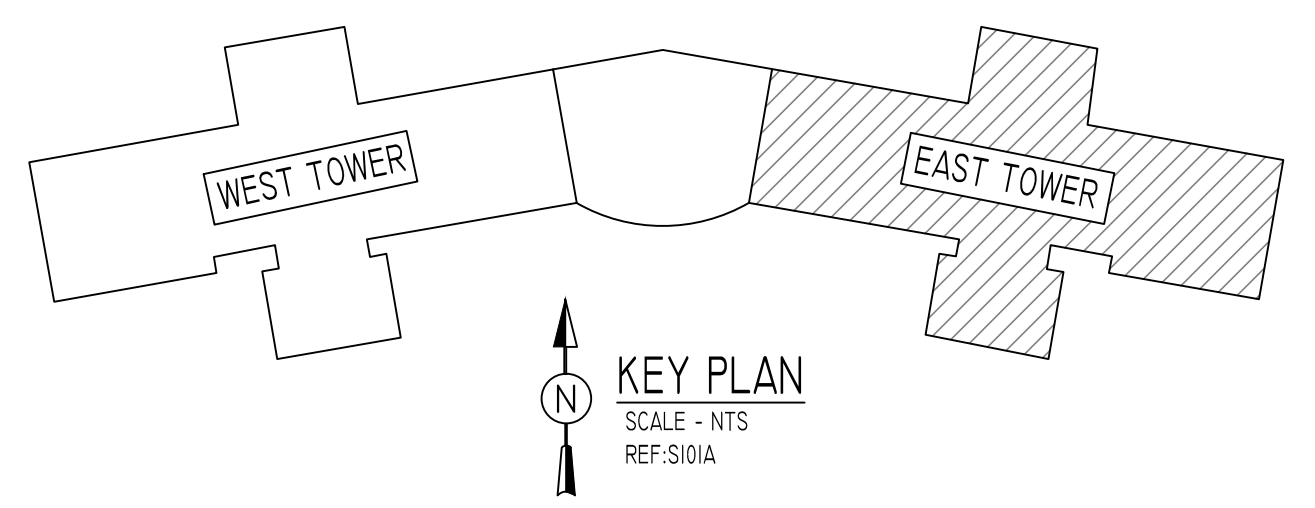
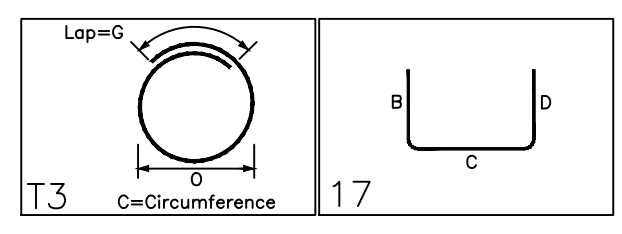
TYPICAL REINFORCING BAR CLEARANCE TABLE

LOCATION	MIN. COVER
DRILLED PIER	
SIDE	3" CLR
TIES	2" CLR
GRADE BEAM	
SIDE	3" CLR
TIES	2" CLR
CONC. PIER & SLAB	2" CLR

ALL BARS IN THIS DRAWING
ASTM A615 GRADE 60
BLACK UNCOATED

Release Number: R4

Bar Mark	Qty	Size	Total Length	Type	W'	W"	W'''	W''''	W'''''	W''''''	W'''''''	W''''''''	W'''''''''	W''''''''''
4B01	20	#4	7'-0"	T3										
5B01	10	#5	3'-4"	T7										
6B01	4	#6	3'-6"	T7										



- Abbreviations:
 IF=Inside Face
 OF=Outside Face
 EF=Each Face
 DWLS=Dowels
 V=Vertical
 H=Horizontal
 COR=Corner
 SLAB DWLS=Slab Dowels
 EW=Each Way
 B=Bottom
 T=Top
 M DWL= Masonry Dowel
 BB=Bond Beam
 ALT: Alternate
 APPROX: Approximate
 ES=Each Side
- OPNG=Opening
 BAL: Balance
 BTW=Between
 CJ=Construction Joint
 CLR: CLEARANCE
 CMU= Concrete Masonry Unit
 CONT=Continuous
 Elev=Elevation
 EMBED=Embedment
 SW= Short Way
 LW=Long Way
 (BL)=Black Bar
 (EP)=Epoxy Bar
 (GA)= Galvanized
 (TB)= Threaded Bar
 (CB)= Coupler Bar

NOTICE
 Shortages, improper fabrication or claims for any other reason must be reported to this company within a period of 15 days of delivery. This company reserves the right to field inspect prior to replacement or reconditioning of nonconforming material, and will not honor charges for work done in the field without specific authorization from this company.

REINFORCING STEEL PLACING DRAWINGS ONLY USE IN CONJUNCTION WITH CONTRACT DRAWINGS & SPECIFICATIONS. ELEVATIONS & DIMENSIONS SHOWN ON THIS DRAWING ARE FOR DETAILING PURPOSES ONLY AND SHOULD NOT BE USED FOR CONSTRUCTION UNLESS VERIFIED BY ENGINEER OR CONTRACTOR.

REVISION MARK	REVISION DETAILS	DATE
0	FOR APPROVAL	04/27/2021

PROJECT	LOYOLA NEWMAN TOWERS HVAC REPLACEMENT		
LOCATION	BALTIMORE, MD 21216		
ARCHITECT	HORD COPLAND MACHT		
ENGINEER	WHITNEY BALLY COX & MAGNANI		
CUSTOMER	-		
DRAWN BY:	MRS	DATE:	04/27/21
REVIEWED BY:	T/L	JOB NO.:	-
DRAWING TITLE:	GARAGE LEVEL PLAN		DRAWING NO.:
EAST TOWER AND CONNECTOR		R4	