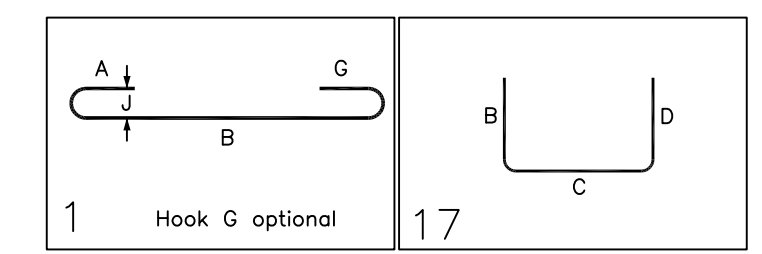


SECOND FLOOR DECK SLAB REINFORCEMENT DETAILS

SCALE - 1/10"=1'-0"
REF: S102

Release Number: R5

Bar Mark	Qty	Size	Total Length	Type	'A'	'B'	'C'	'D'	'E'	'F'	'G'	'H'	'I'	'J'	'K'	'L'	'M'
4C01	242	#4	5'-9"	1	0'-6"	5'-3"									0'-4"		
4C02	7	#4	3'-8"	17	1'-10"	1'-10"									0'-4"		
4C03	16	#4	5'-6"	1	0'-6"	5'-0"									0'-4"		



LAP SCHEDULE FDN & SOG		LAP SCHEDULE WALL		LAP SCHEDULE MASONRY	
SIZE	3500 PSI	SIZE	4500 PSI	SIZE	2500 PSI
#3	21"	#3	19"	#3	18"
#4	28"	#4	24"	#4	24"
#5	35"	#5	31"	#5	30"
#6	42"	#6	37"	#6	36"
#7	49"	#7	43"	#7	42"
#8	56"	#8	50"	#8	48"
#9	63"	#9	57"	#9	54"

ALL BARS IN THIS DRAWING
ASTM A615 GRADE 60
BLACK UNCOATED

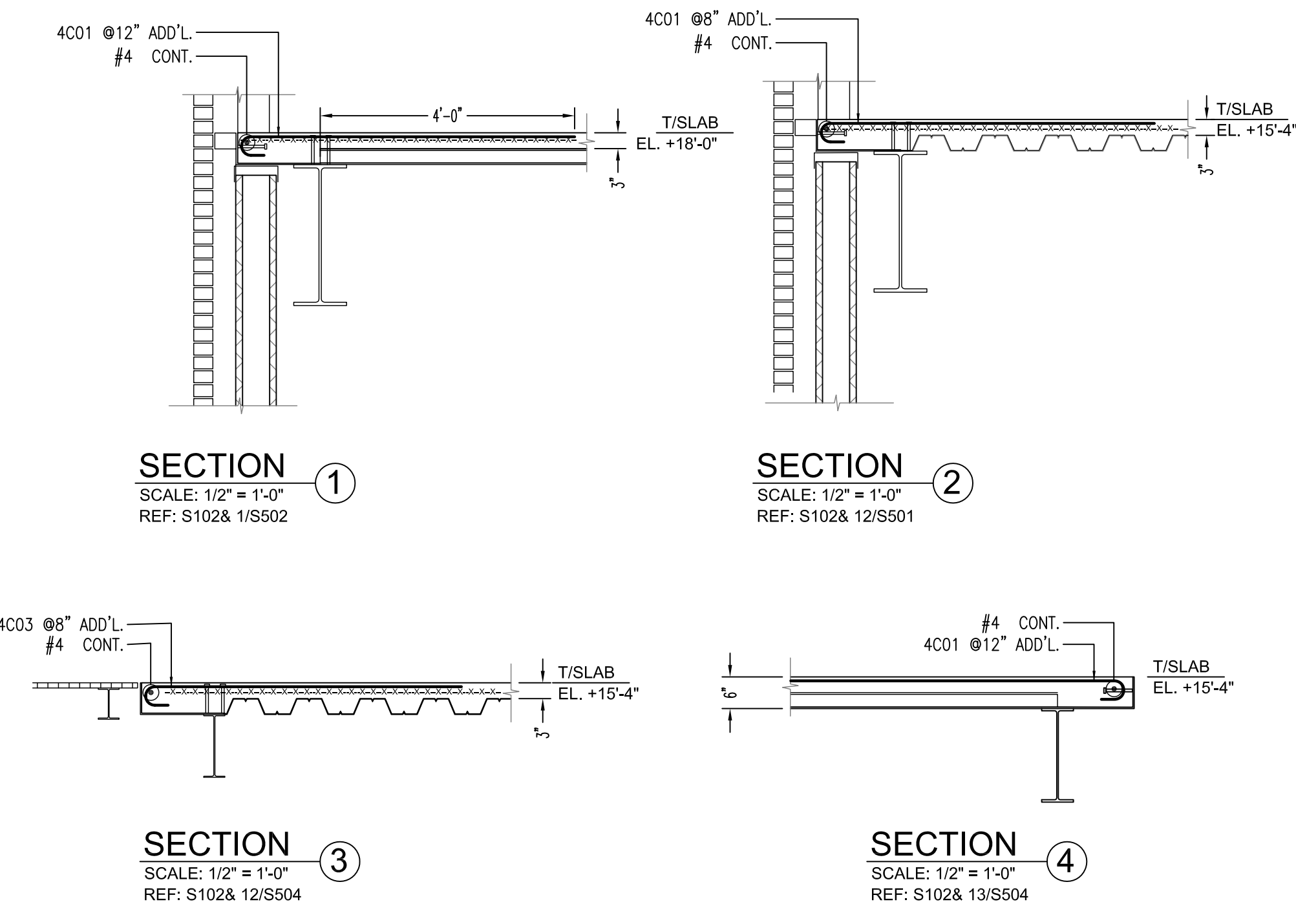
TYPICAL REINFORCING BAR CLEARANCE TABLE

LOCATION	MIN. COVER
FOOTINGS AGAINST EARTH/SIDE	3" CLR
FOOTING TOP	2" CLR
PIER	2" CLR

A/E PLEASE VERIFY THE LAP SCHEDULE FOLLOWED
A/E PLEASE VERIFY THE COVER DETAILS FOLLOWED

MESH DETAILS

SLAB MARK	ELEMENT	MESH SIZE	SHEETS	AREA	REMARK
F1	6" THK SLAB	4x4 - W4.0XW4.0 W.W.R	53	6990 SQ.FT	8'-0" X 20'-0" SHEET SIZE (15% LAP ADDED)
F2	4" THK SLAB	4x4 - W4.0XW4.0 W.W.R	25	3710 SQ.FT	8'-0" X 20'-0" SHEET SIZE (15% LAP ADDED)
F4	4" THK SLAB	4x4 - W4.0XW4.0 W.W.R	5	550 SQ.FT	8'-0" X 20'-0" SHEET SIZE (15% LAP ADDED)



Abbreviations:
I.F.=Inside Face
O.F.=Outside Face
E.F.=Each Face
DWL=Dowel
V=Vertical
H=Horizontal
C.B.=Corner Bar
S.DWL=Slab Dowel
E.W.=Each Way
B.BOT=Bottom
T=Top
M.DWL=Masonry Dowel
B.B.=Bond Beam
ALT=Alternate
Approx=Approximate

OPNG=Opening
BAL=Balance
BTW=Between
CF=Construction Joint
CLR=CLEARANCE
CMU=Concrete Masonry Unit
CONT.=Continuous
EA.=Each
Elev.=Elevation
EMB=Embedment
SW=Short Way
LW=Long Way
BL=Black Bar
(EP)=Epoxy Bar
(GA)=Galvanized

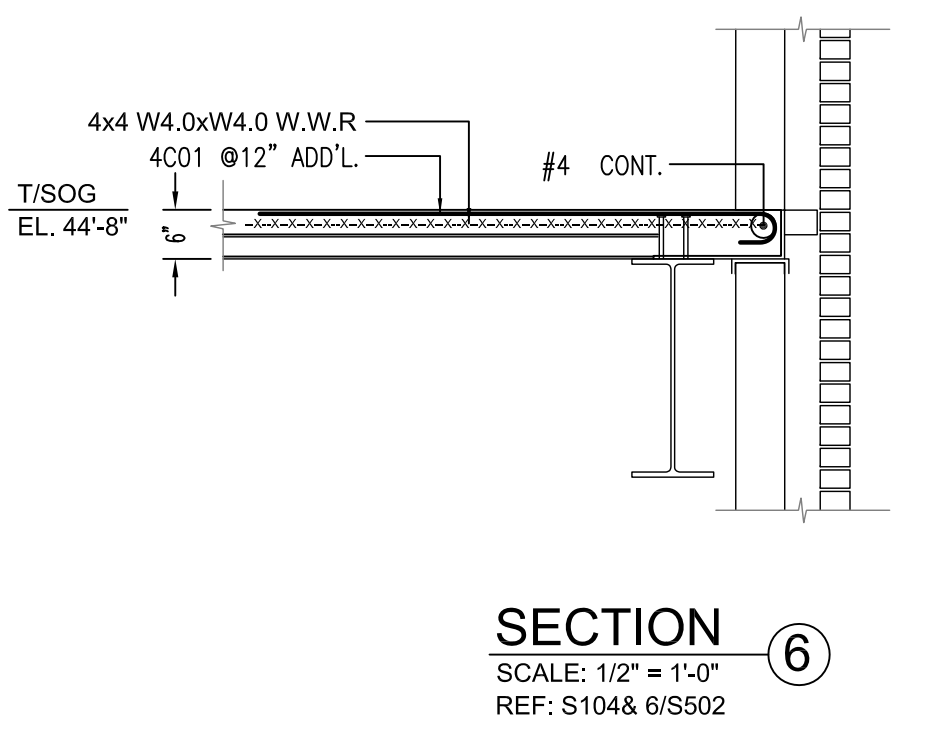
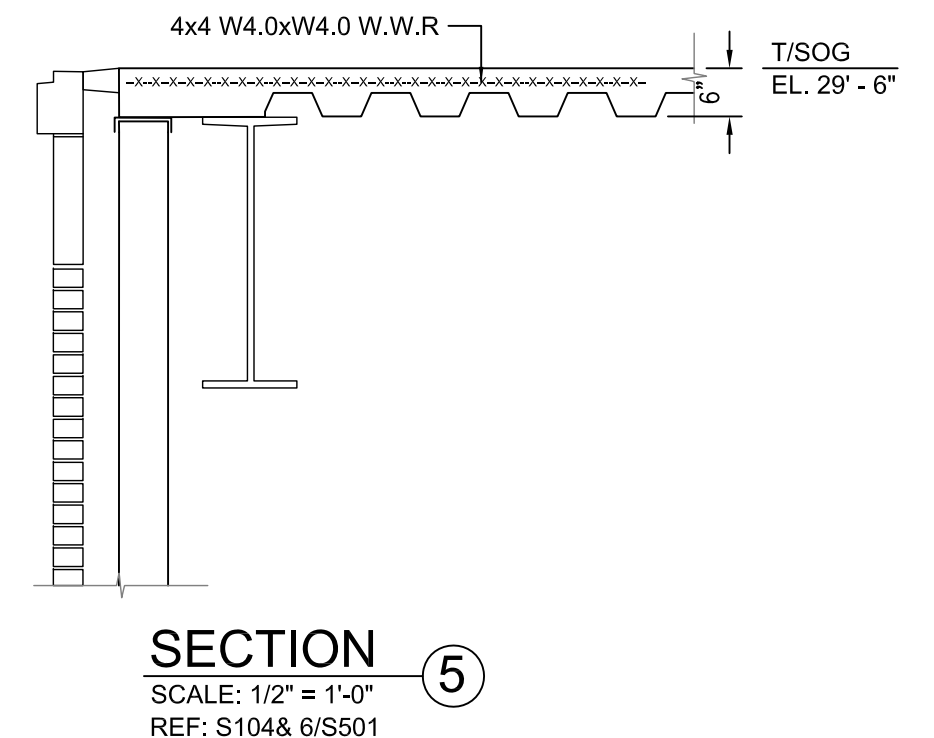
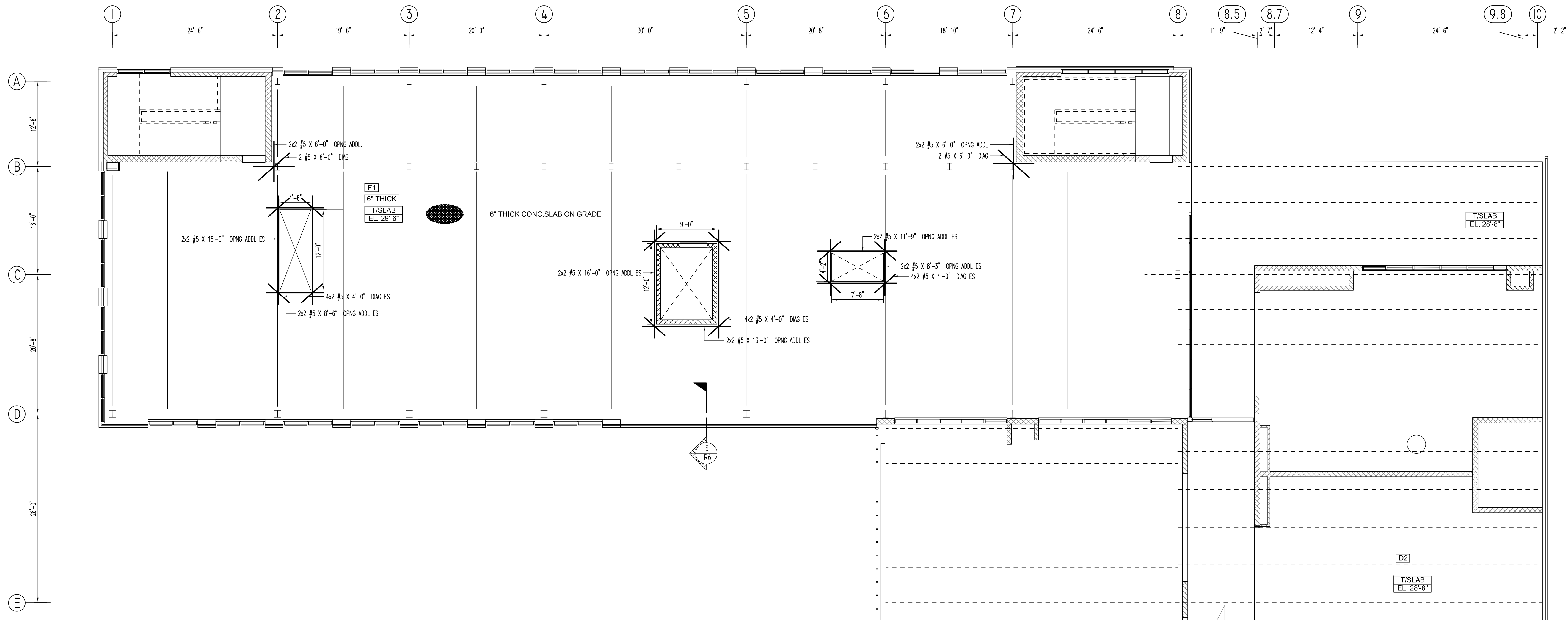
NOTICE

Shortages, improper fabrication or claims for any other reason must be reported to this company within a period of 15 days of delivery. This company reserves the right to field inspect prior to replacement or reconditioning of nonconforming material, and will not honor charges for work done in the field without specific authorization from this company.

REINFORCING STEEL PLACING DRAWINGS ONLY USE IN CONJUNCTION WITH CONTRACT DRAWINGS & SPECIFICATIONS. ELEVATIONS & DIMENSIONS SHOWN ON THIS DRAWING ARE FOR DETAILING PURPOSES ONLY AND SHOULD NOT BE USED FOR CONSTRUCTION UNLESS VERIFIED BY ENGINEER OR CONTRACTOR.

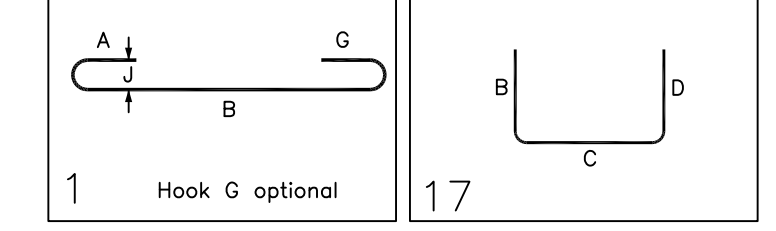
REVISION MARK	REVISION DETAILS	DATE
0	FOR APPROVAL	06/04/2021

PROJECT	WORWIC COMMUNITY COLLEGE APPLIED APPLIED TECHNOLOGY BUILDING		
LOCATION	32000 CAMPUS DRIVE, SALISBURY, MARYLAND 21804		
ARCHITECT	BECKER MORGAN GROUP		
ENGINEER	BECKER MORGAN GROUP		
CUSTOMER	-		
DRAWN BY:	MRS	DATE:	04/06/21
REVIEWED BY:	T/L	JOB NO.:	-
DRAWING TITLE:	SECOND FLOOR DECK SLAB REINFORCEMENT DETAILS		DRAWING NO.:
			R5



THIRD FLOOR DECK SLAB REINFORCEMENT DETAILS
SCALE - 1/8"=1'-0"
REF: S103

Bar Mark	Qty	Size	Total Length	Type	X'	Y'	Z'	BAR LIST														
4C01	12	#4	5'-9 3/4"	1	0'-6"	5'-3 3/4"																
4C02	1	#4	3'-8"	17		1'-10"	1'-10"															



LAP SCHEDULE FDN & SOG		LAP SCHEDULE WALL		LAP SCHEDULE MASONRY	
SIZE	3500 PSI	SIZE	4500 PSI	SIZE	2500 PSI
#3	21"	#3	19"	#3	18"
#4	28"	#4	24"	#4	24"
#5	35"	#5	31"	#5	30"
#6	42"	#6	37"	#6	36"
#7	75"	#7	67"	#7	68"
#8	86"	#8	76"	#8	78"
#9	97"	#9	85"	#8	78"

ALL BARS IN THIS DRAWING
ASTM A615 GRADE 60
BLACK UNCOATED

LOCATION	MIN. COVER
FOOTINGS AGAINST EARTH/SIDE	3" CLR
FOOTING TOP	2" CLR
PIER	2" CLR

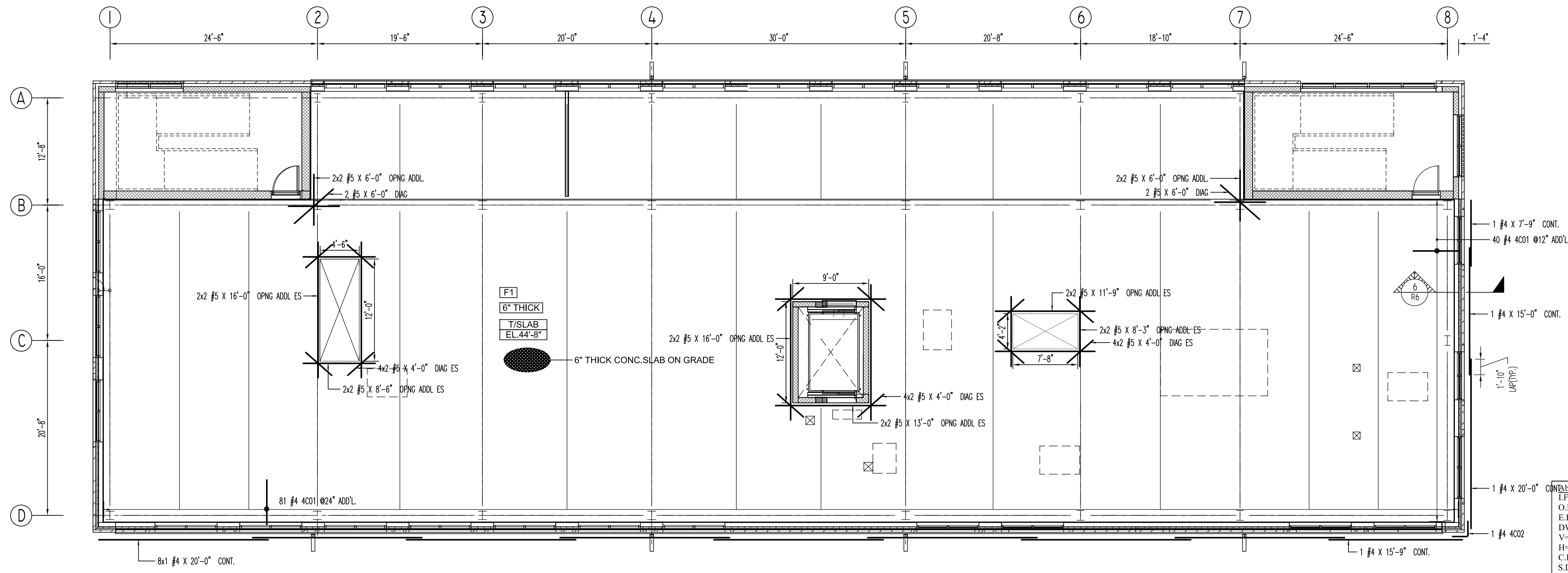
MESH DETAILS 3RD FLOOR				
ELEMENT	MESH SIZE	SHEETS	AREA	REMARK
6" THK SLAB ON GRADE	4x4 W4.0xW4.0 W.W.R.	8500	7392 SQ.FT	8'-0" X 20'-0" SHEET SIZE (15% LAP ADDED)

MESH DETAILS 4TH FLOOR				
ELEMENT	MESH SIZE	SHEETS	AREA	REMARK
6" THK SLAB ON GRADE	4x4 W4.0xW4.0 W.W.R.	8500	7392 SQ.FT	8'-0" X 20'-0" SHEET SIZE (15% LAP ADDED)

Abbreviations:
I.F.=Inside Face
O.F.=Outside Face
E.F.=Each Face
DWL=Dowel
V=Vertical
H=Horizontal
C.B.=Corner Bar
S.DWL=Slab Dowel
E.W.=Each Way
B.BOT=Bottom
T=Top
M.DWL=Masonry Dowel
B.B=Bond Beam
ALT=Alternate
Approx=Approximate

OPNG=Opening
BAL=Balance
BTW=Between
CJ=Construction Joint
CLR=CLEARANCE
CMU=Concrete Masonry Unit
CONT.=Continuous
EA.=Each
Elev.=Elevation
EMB=Embedment
SW=Short Way
LW=Long Way
(BL)=Black Bar
(EP)=Epoxy Bar
(GA)=Galvanized

NOTICE
Shortages, improper fabrication or claims for any other reason must be reported to this company within a period of 15 days of delivery. This company reserves the right to field inspect prior to replacement or reconditioning of nonconforming material, and will not honor charges for work done in the field without specific authorization from this company.



FOURTH FLOOR DECK SLAB REINFORCEMENT DETAILS
SCALE - 1/8"=1'-0"
REF: S104

REVISION MARK	REVISION DETAILS	DATE
0	FOR APPROVAL	06/04/2021

PROJECT	WORWIC COMMUNITY COLLEGE APPLIED APPLIED TECHNOLOGY BUILDING		
LOCATION	32000 CAMPUS DRIVE, SALISBURY, MARYLAND 21804		
ARCHITECT	BECKER MORGAN GROUP		
ENGINEER	BECKER MORGAN GROUP		
CUSTOMER	-		
DRAWN BY:	MRS	DATE:	04/06/21
REVIEWED BY:	T/L	JOB NO.:	-
DRAWING TITLE:	THIRD & FOURTH FLOOR DECK SLAB REINFORCEMENT DETAILS		DRAWING NO.:
			R6